



US00D384504S

United States Patent [19]
Christie

[11] **Patent Number: Des. 384,504**
[45] **Date of Patent: **Oct. 7, 1997**

[54] **CLUB HOLDER FOR A GOLF BAG**

DESCRIPTION

[76] Inventor: **William G. Christie**, 1301 E. Michelle St., West Covina, Calif. 91790

[**] Term: **14 Years**

[21] Appl. No.: **50,152**

[22] Filed: **Feb. 9, 1996**

[51] LOC (6) Cl. **03-99**

[52] U.S. Cl. **D3/320**

[58] Field of Search D3/320; D21/223;
211/70.2; 206/315.2, 315.3, 315.4, 315.5,
315.6, 315.7, 315.8

[56] **References Cited**

U.S. PATENT DOCUMENTS

D. 211,956	8/1968	Christie	D21/223
D. 315,639	3/1991	Warder	D3/320
D. 349,406	8/1994	Shumay	D3/320
3,139,132	6/1964	Shiller	206/315.6
3,503,518	3/1970	Black	D21/223 X
4,194,547	3/1980	Sidor et al.	D3/320 X
5,228,566	7/1993	Shenoha	206/315.6
5,383,555	1/1995	Wenmeier	206/315.3 X

Primary Examiner—Doris V. Coles
Assistant Examiner—Catherine R. Oliver
Attorney, Agent, or Firm—Christie, Parker & Hale, LLP

[57] **CLAIM**

The ornamental design for an club holder for a golf bag, as shown and described.

FIG. 1 is a perspective view of the club holder according to the present invention, the environment of which is shown in phantom;

FIG. 2 is a perspective view of a portion of the club holder of FIG. 1;

FIG. 3 is a front view of the portion of the club holder of FIG. 2;

FIG. 4 is a side view of the portion of the club holder of FIG. 2, with the opposite side being a mirror image thereof;

FIG. 5 is a rear view of the portion of the club holder of FIG. 2;

FIG. 6 is a top plan view of the portion of the club holder of FIG. 2;

FIG. 7 is a bottom plan view of the portion of the club holder of FIG. 2;

FIG. 8 is a perspective view of another portion of the club holder of FIG. 1;

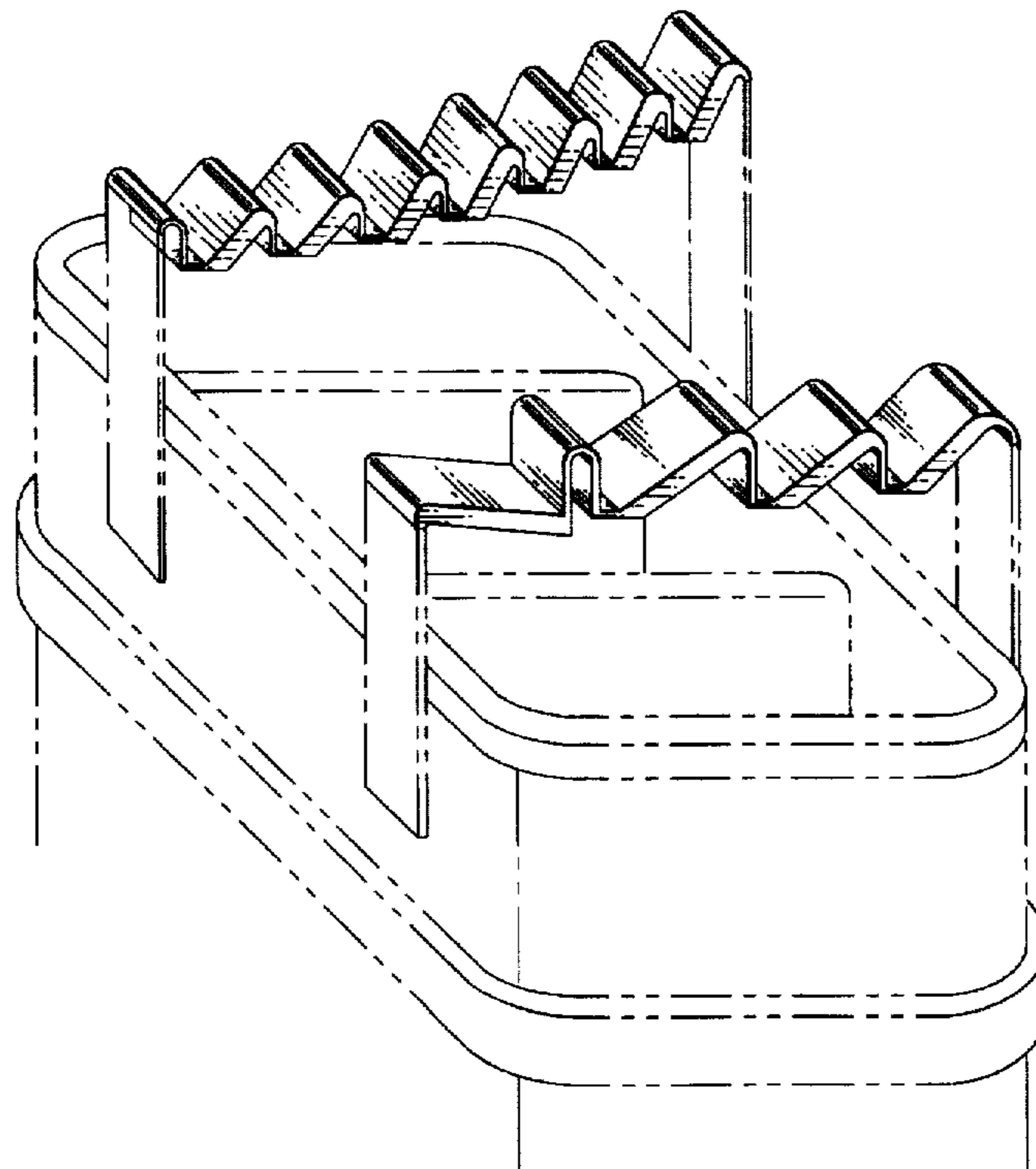
FIG. 9 is a front view of portion of the club holder of FIG. 8;

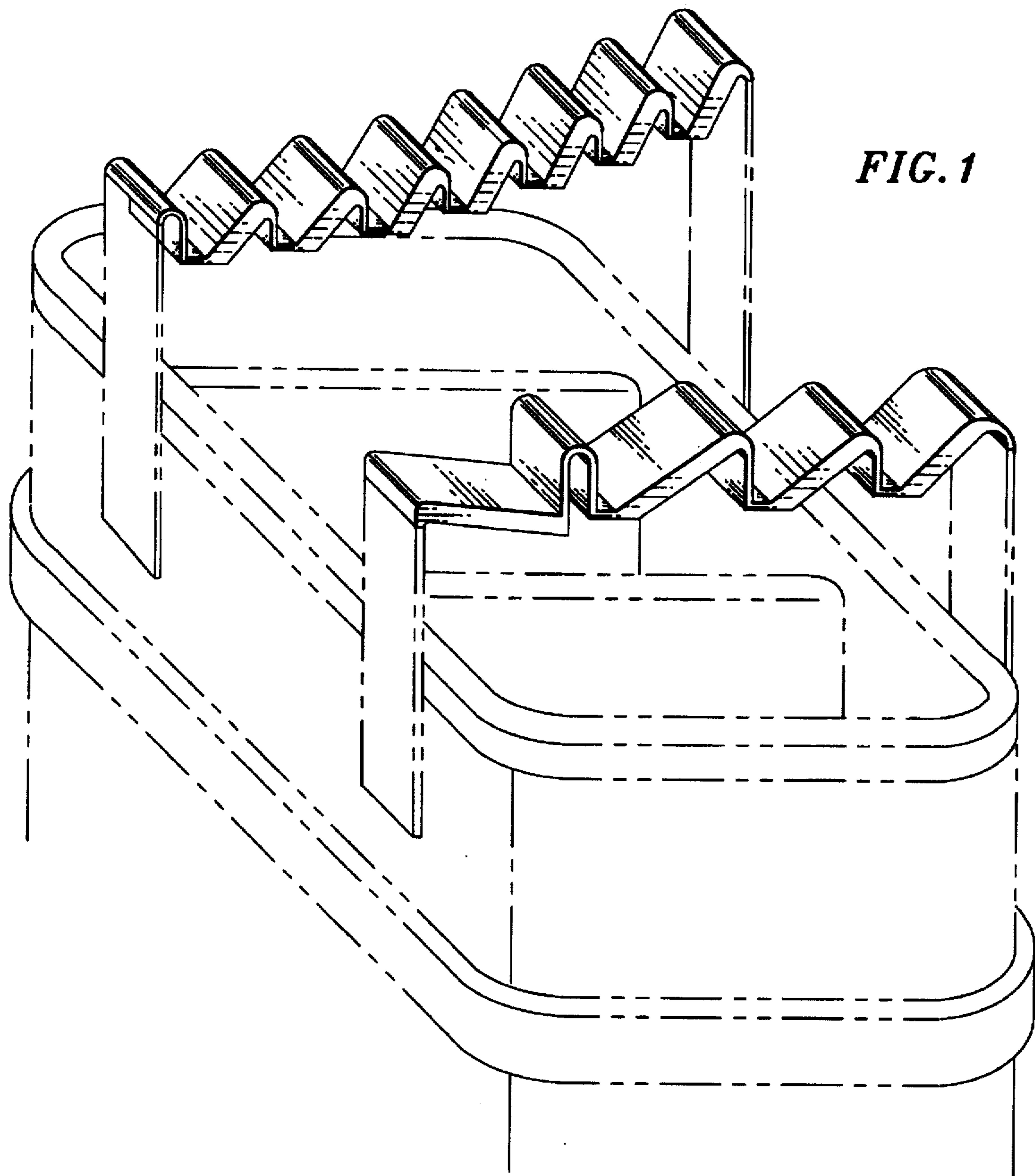
FIG. 10 is a side view of the portion of the club holder of FIG. 8, with the opposite side being a mirror image thereof; and,

FIG. 11 is a rear view of the portion of the club holder of FIG. 8.

The broken line showing of environment in FIGS. 1-5 and 8-11 is for illustrative purposes only and forms no part of the claimed design.

1 Claim, 6 Drawing Sheets





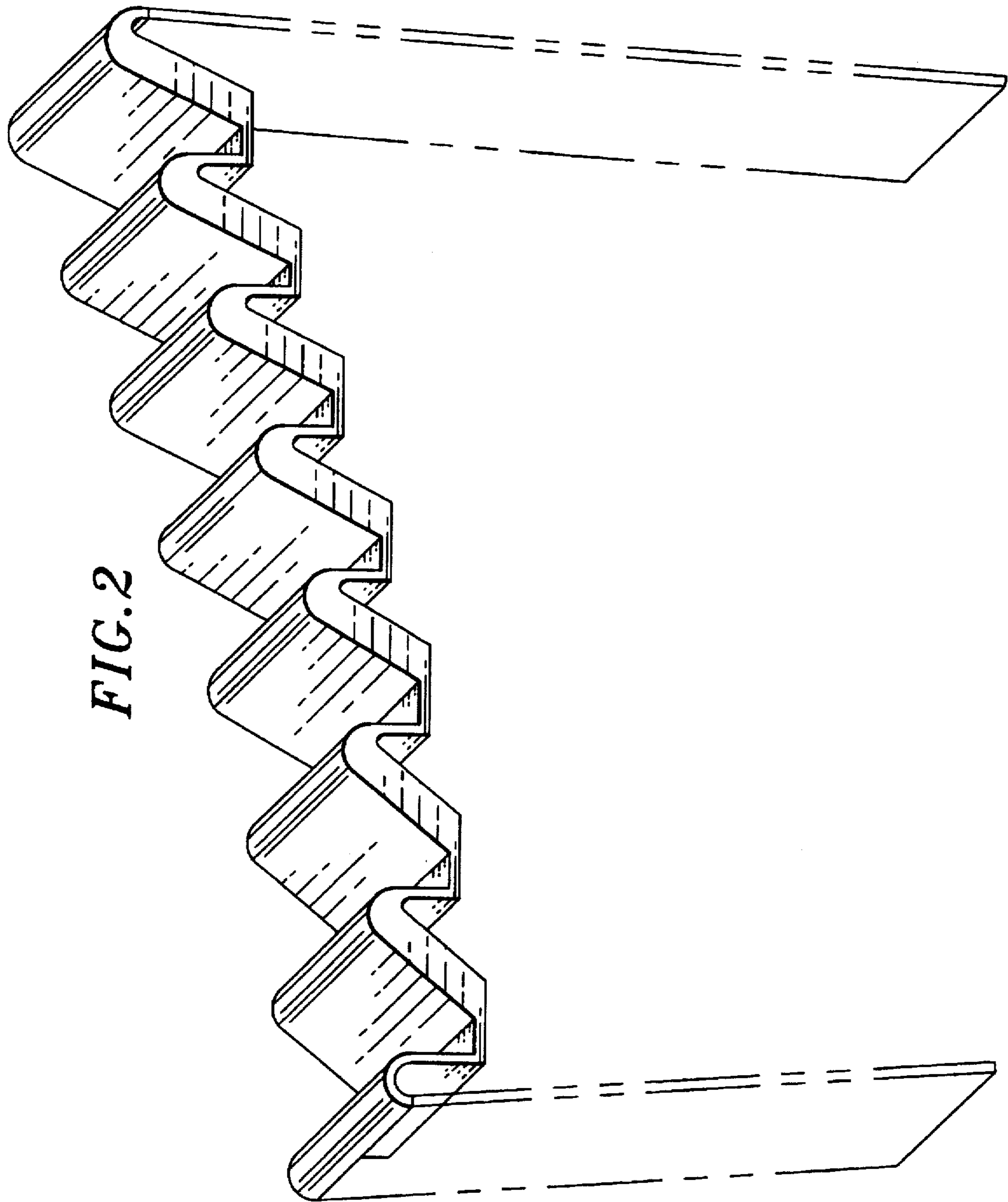


FIG. 2

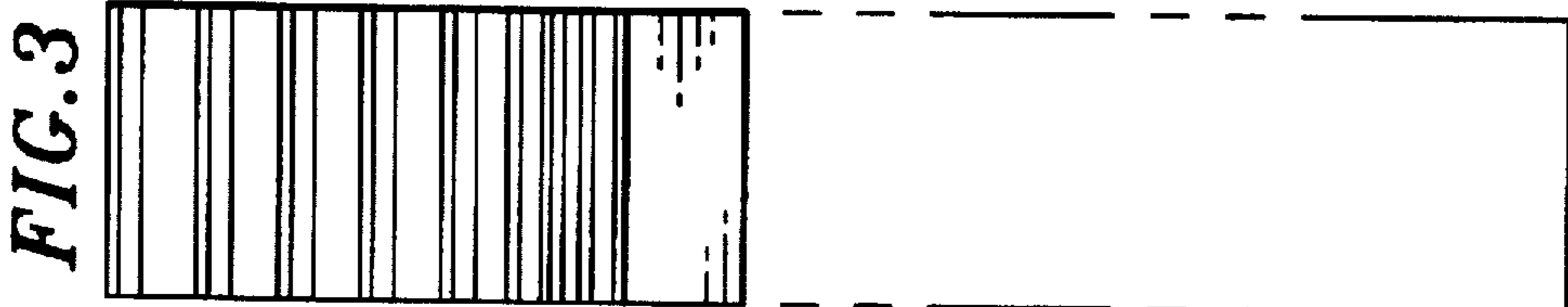
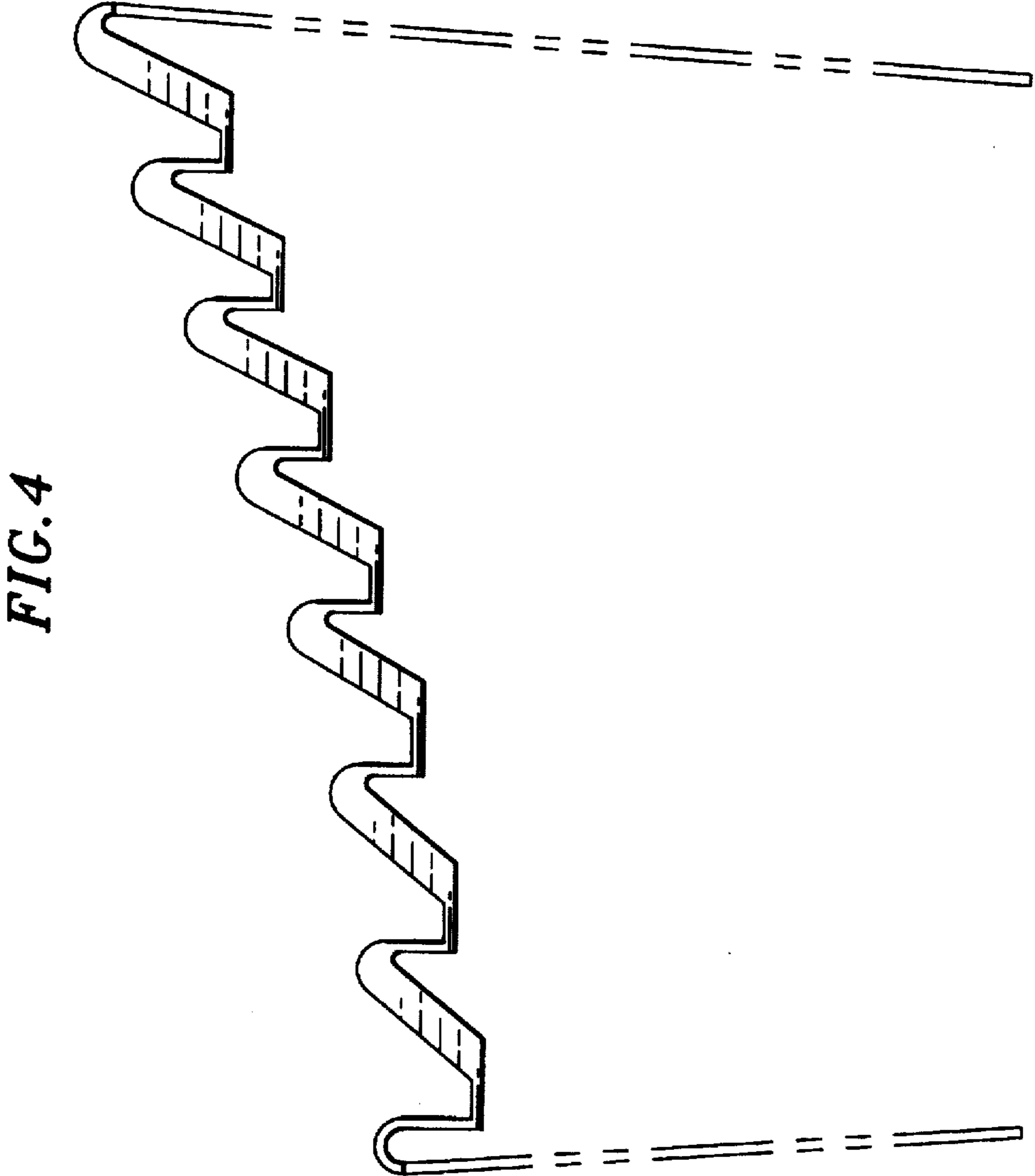
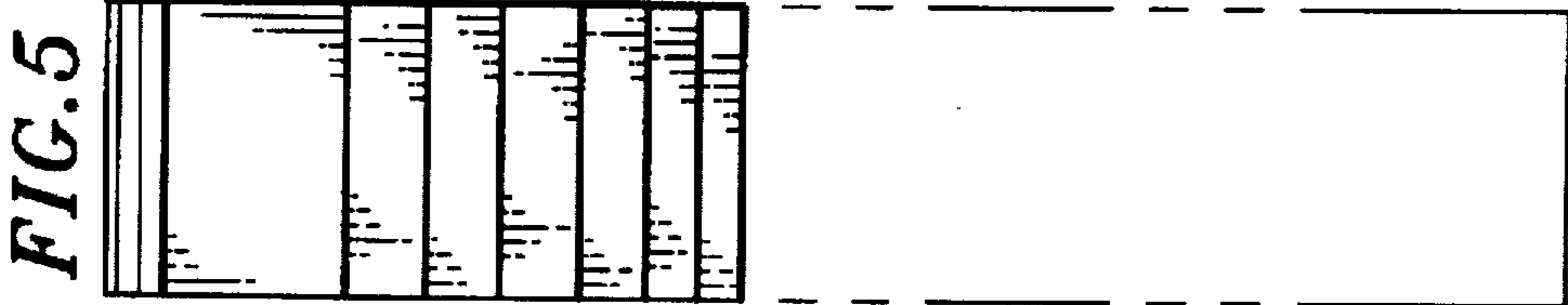


FIG. 6

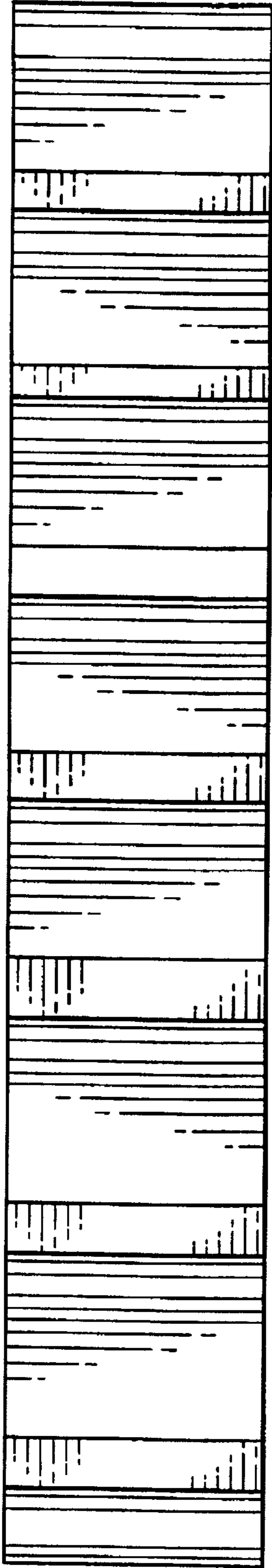
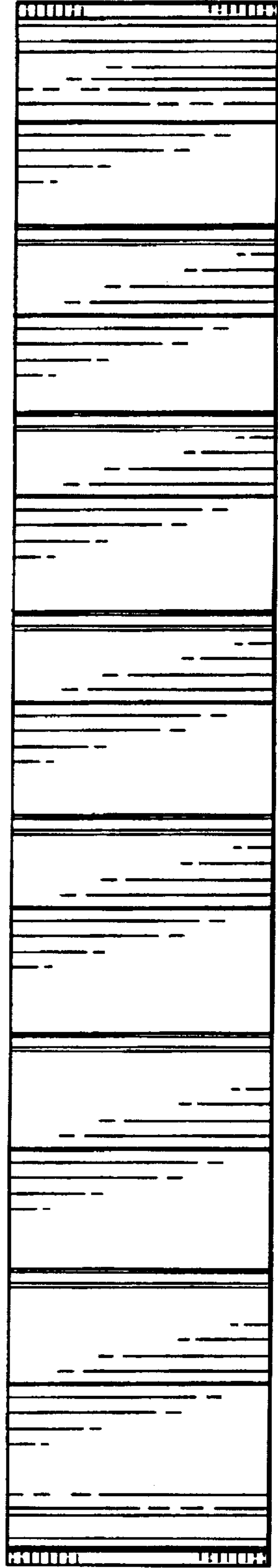


FIG. 7



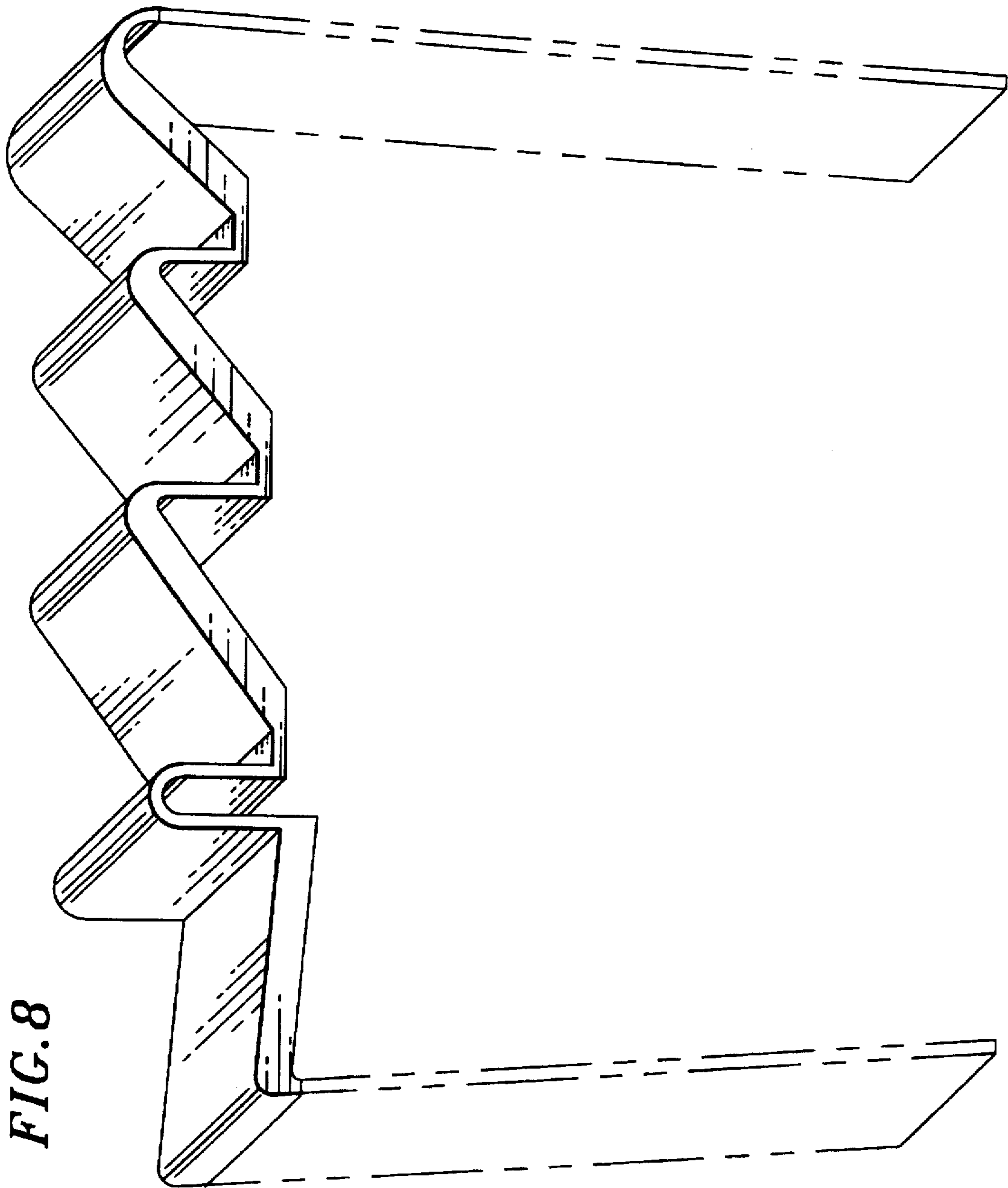


FIG. 11



FIG. 10

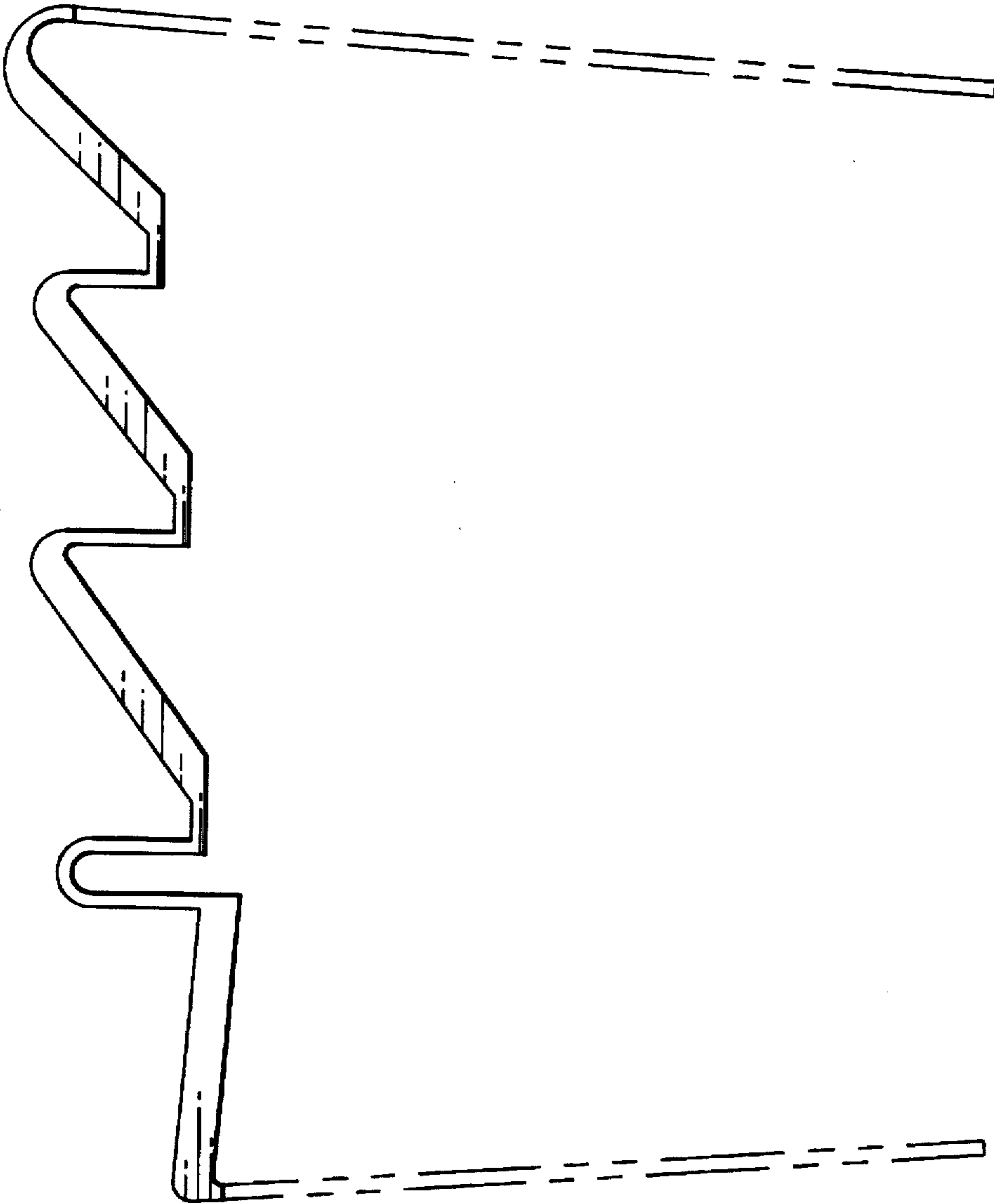


FIG. 9

