



US00D384503S

# United States Patent [19]

Kyrwood

[11] Patent Number: **Des. 384,503**

[45] Date of Patent: **\*\*Oct. 7, 1997**

[54] **GOLF CLUB HOLDER**

[76] Inventor: **Geoff Kyrwood**, 10a Whitton St.,  
Wallsend, New South Wales, 2287,  
Australia

[\*\*] Term: **14 Years**

[21] Appl. No.: **47,922**

[22] Filed: **Dec. 14, 1995**

[51] LOC (6) Cl. .... **03-99**

[52] U.S. Cl. .... **D3/320**

[58] Field of Search ..... D3/318, 319, 320,  
D3/201; 206/315.1-315.8; 473/282, 287;  
211/70.2, 70.6, 71, 72; 248/95-101; D21/223;  
D6/320, 513, 514

[56] **References Cited**

**U.S. PATENT DOCUMENTS**

D. 293,852	1/1988	Scroggins .....	D3/320
D. 361,207	8/1995	Meyer .....	D3/320
2,436,687	2/1948	Corbett .	
3,503,518	3/1970	Black .....	211/70.2
3,534,795	10/1970	Wiedenmeier .....	206/315.6
4,055,207	10/1977	Goodwin .	
4,200,131	4/1980	Chitwood et al. .	
4,208,227	6/1980	Cowan .	

4,340,102	7/1982	Isabel .	
5,029,703	7/1991	Dulyer, Sr. ....	211/70.2 X
5,228,566	7/1993	Shenoha .....	206/315.7 X
5,238,109	8/1993	Smith .....	206/315.2
5,267,660	12/1993	Kwon .....	206/315.6 X

**OTHER PUBLICATIONS**

Par Golf Manuf. Co. Inc., 1968 Cat. p. 36.

*Primary Examiner*—Rabhakar G. Deshmukh  
*Attorney, Agent, or Firm*—Welsh & Katz, LTD.

[57] **CLAIM**

The ornamental design for a golf club holder, as shown and described.

**DESCRIPTION**

FIG. 1 is a perspective view of a golf bag holder showing my new design; The broken line showing of a golf bag is for illustrative purposes only and forms no part of the claim; FIG. 2 is a front elevational view thereof; FIG. 3 is a right side elevational view thereof; FIG. 4 is a rear elevational view thereof; FIG. 5 is a left side elevational view thereof; FIG. 6 is a top plan view thereof; and, FIG. 7 is a bottom plan view thereof.

**1 Claim, 4 Drawing Sheets**

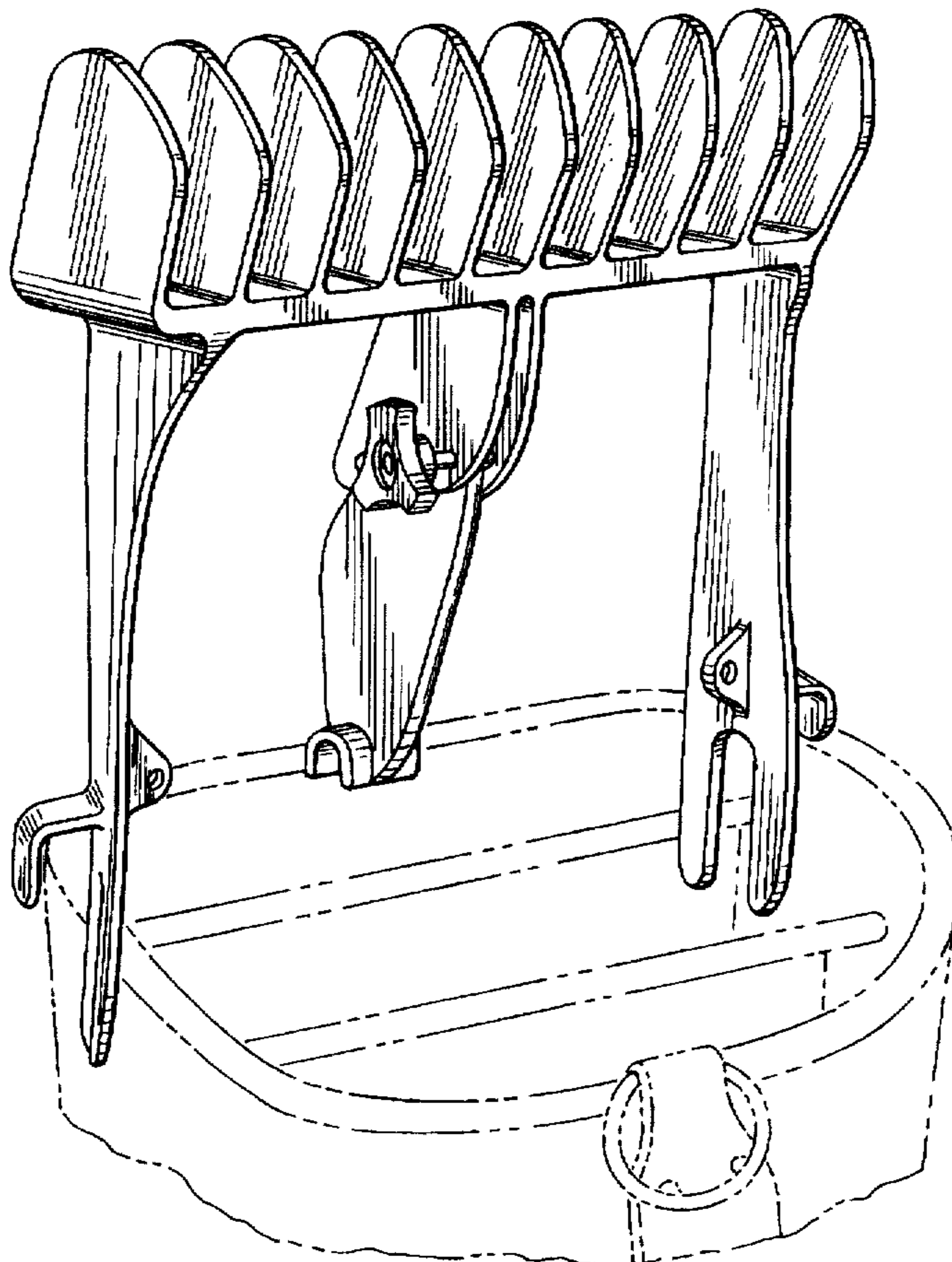


FIG. 1

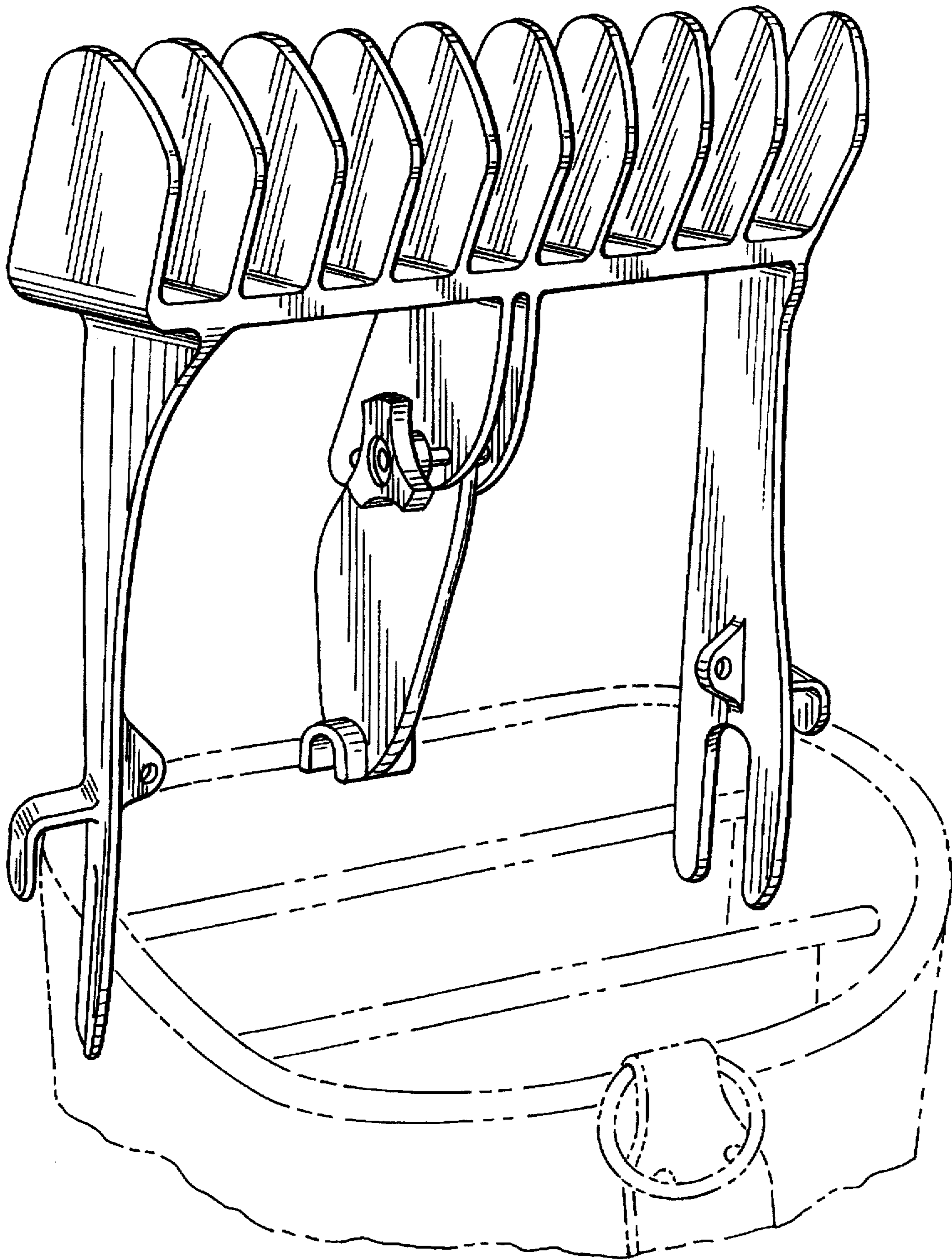


FIG. 3

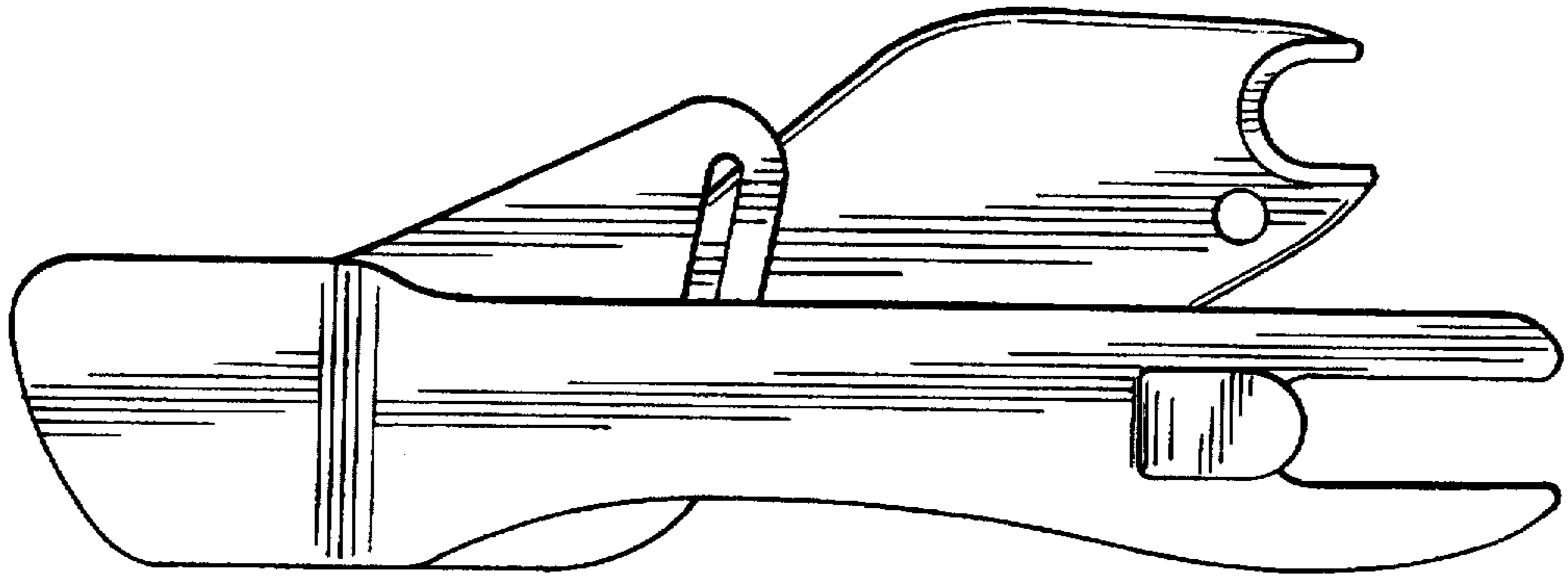


FIG. 2

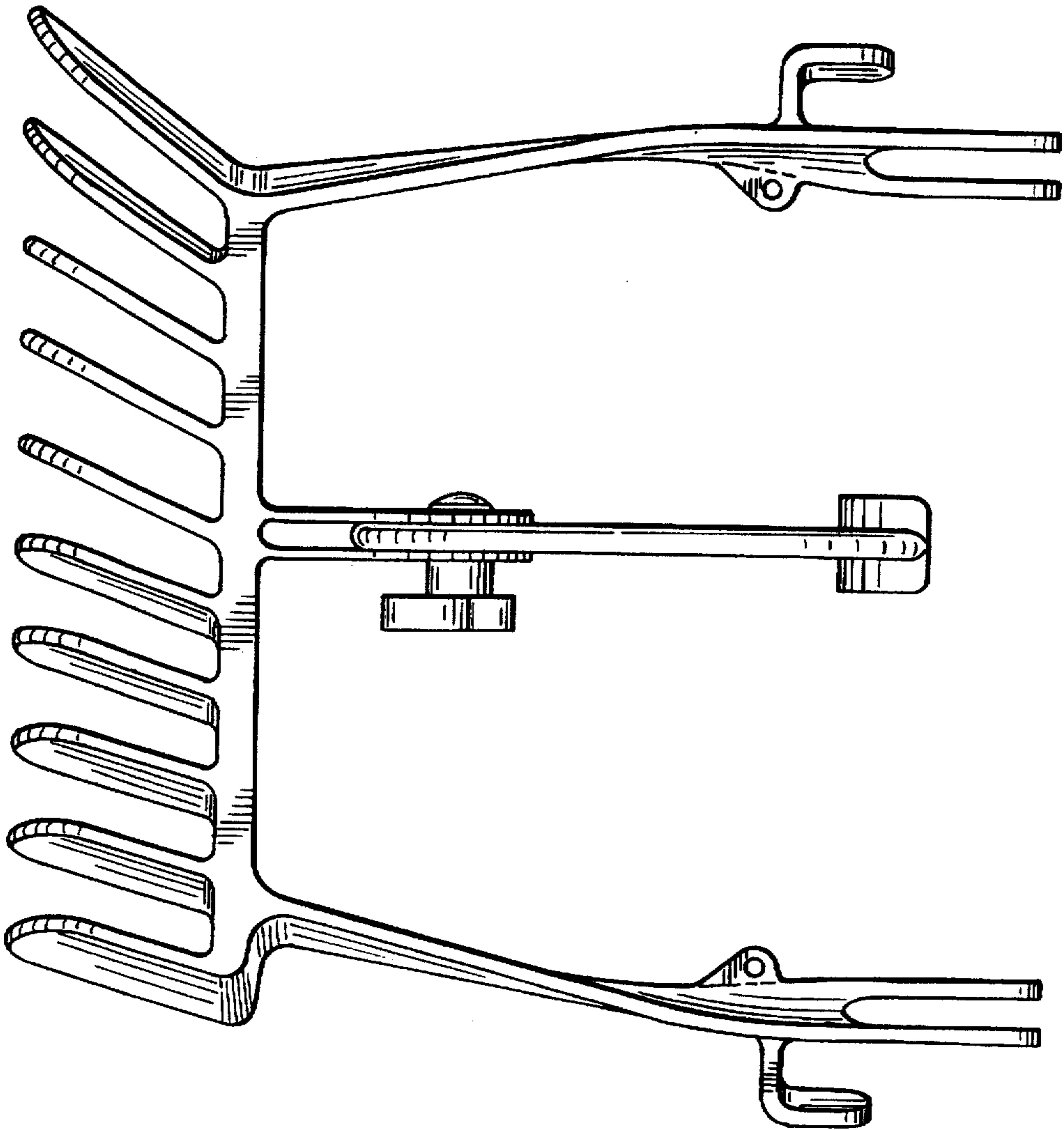


FIG.5

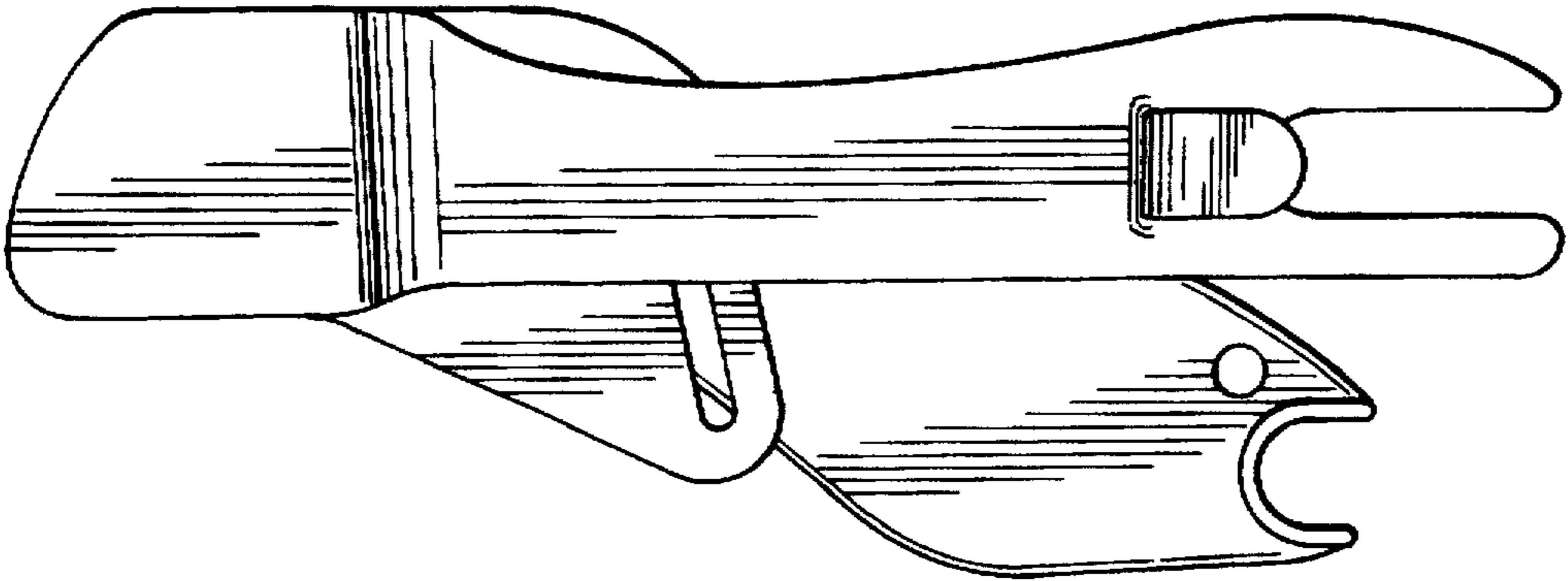


FIG.4

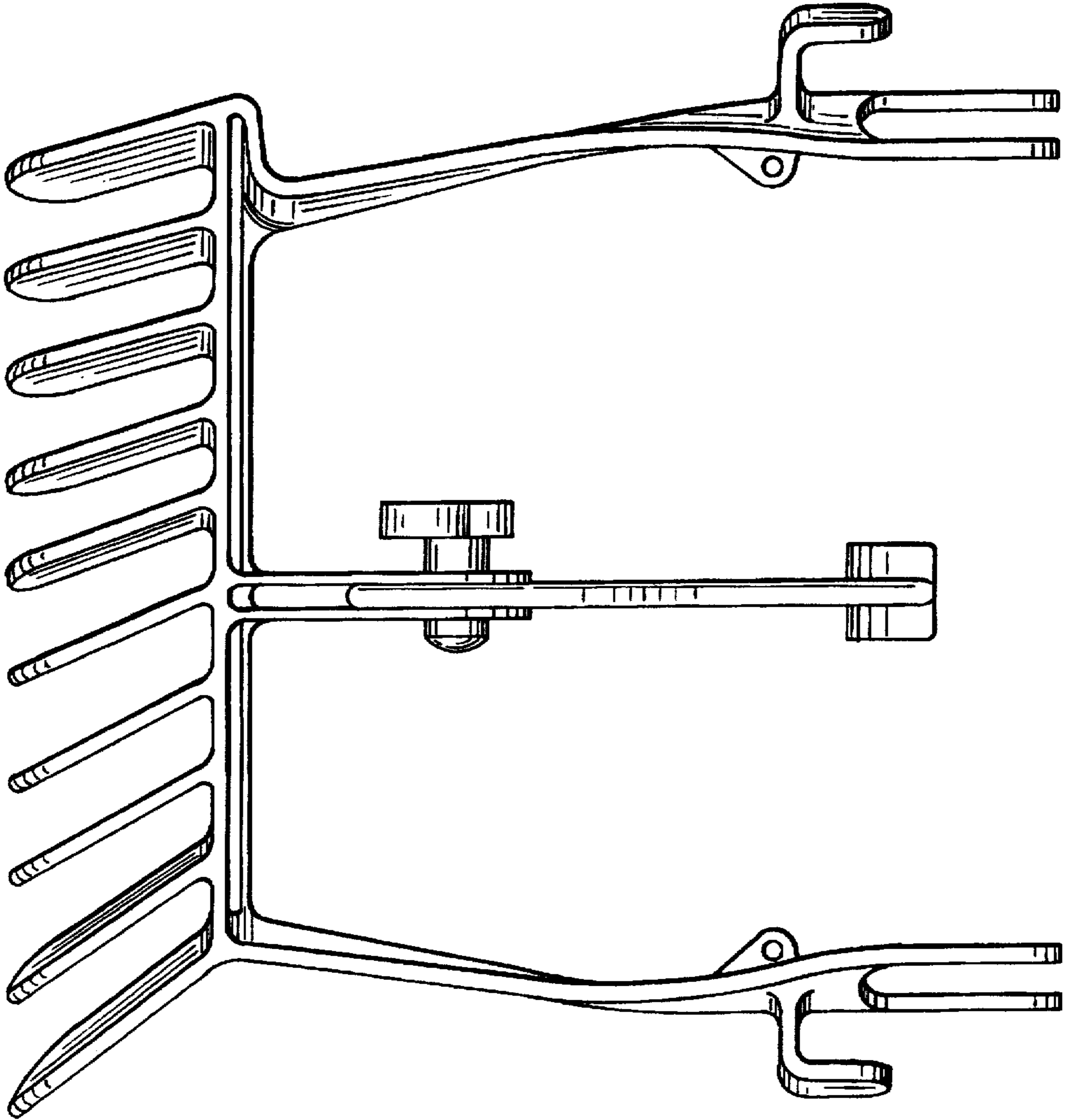


FIG. 6

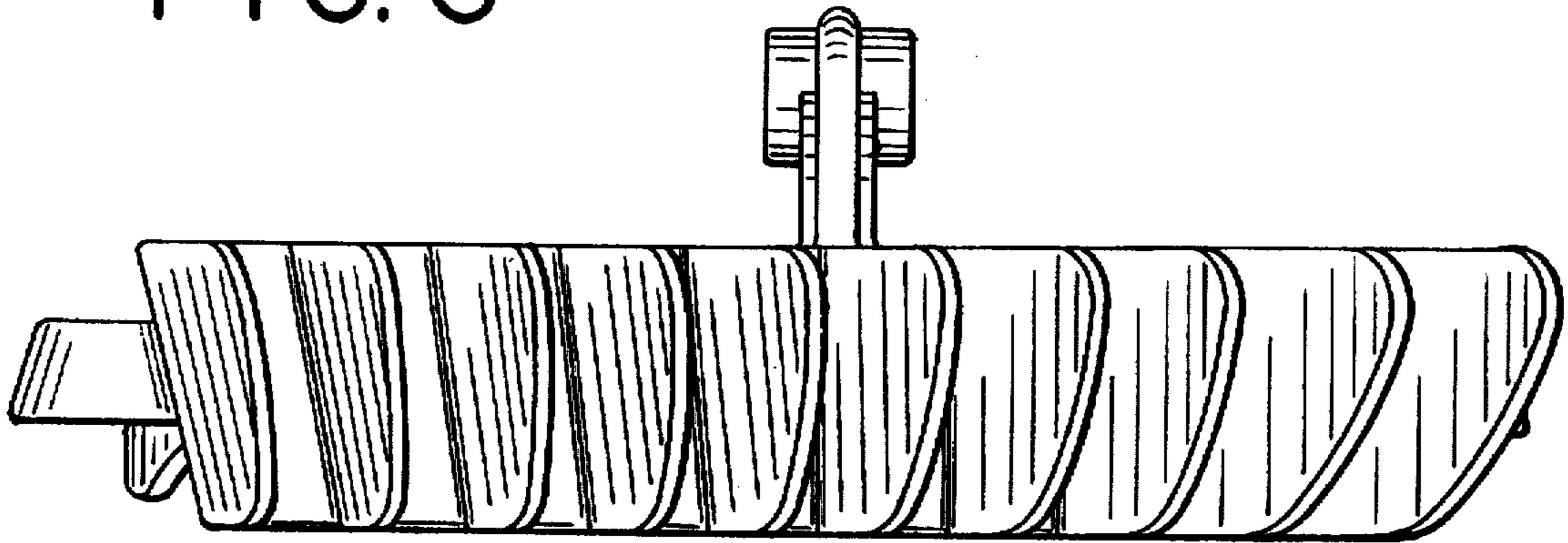


FIG. 7

