

US00D384502S

# United States Patent [19]

Seager et al.

[11] Patent Number: **Des. 384,502**

[45] Date of Patent: **\*\*Oct. 7, 1997**

[54] CONTAINER HAVING HINGED LID

[75] Inventors: **Richard H. Seager**, Mystic, Conn.;  
**Peter Piscopo**, Medford, N.J.

[73] Assignee: **The Plastek Group**, Erie, Pa.

[\*\*] Term: **14 Years**

[21] Appl. No.: **54,445**

[22] Filed: **May 14, 1996**

[51] LOC (6) Cl. .... **03-01**

[52] U.S. Cl. .... **D3/294; D9/423; D9/425**

[58] Field of Search ..... **D3/294, 273, 272;**  
**D9/420, 423, 424, 425, 432; 206/501, 503,**  
**508; 220/334, 335, 337, 675**

[56] **References Cited**

**U.S. PATENT DOCUMENTS**

D. 285,906	9/1986	Tyler	.....	D9/425
D. 330,161	10/1992	Schuh	.....	D9/425
D. 349,646	8/1994	Dickinson	.....	D9/425
4,917,261	4/1990	Borst	.....	220/324
5,036,997	8/1991	May et al.	.....	220/335

5,145,088	9/1992	Goujon	.....	220/335
5,204,130	4/1993	McDevitt et al.	.....	220/339
5,353,946	10/1994	Behrend	.....	220/339
5,366,104	11/1994	Armstrong	.....	220/339

*Primary Examiner*—Philip S. Hyder  
*Attorney, Agent, or Firm*—Bachman & LaPointe, P.C.

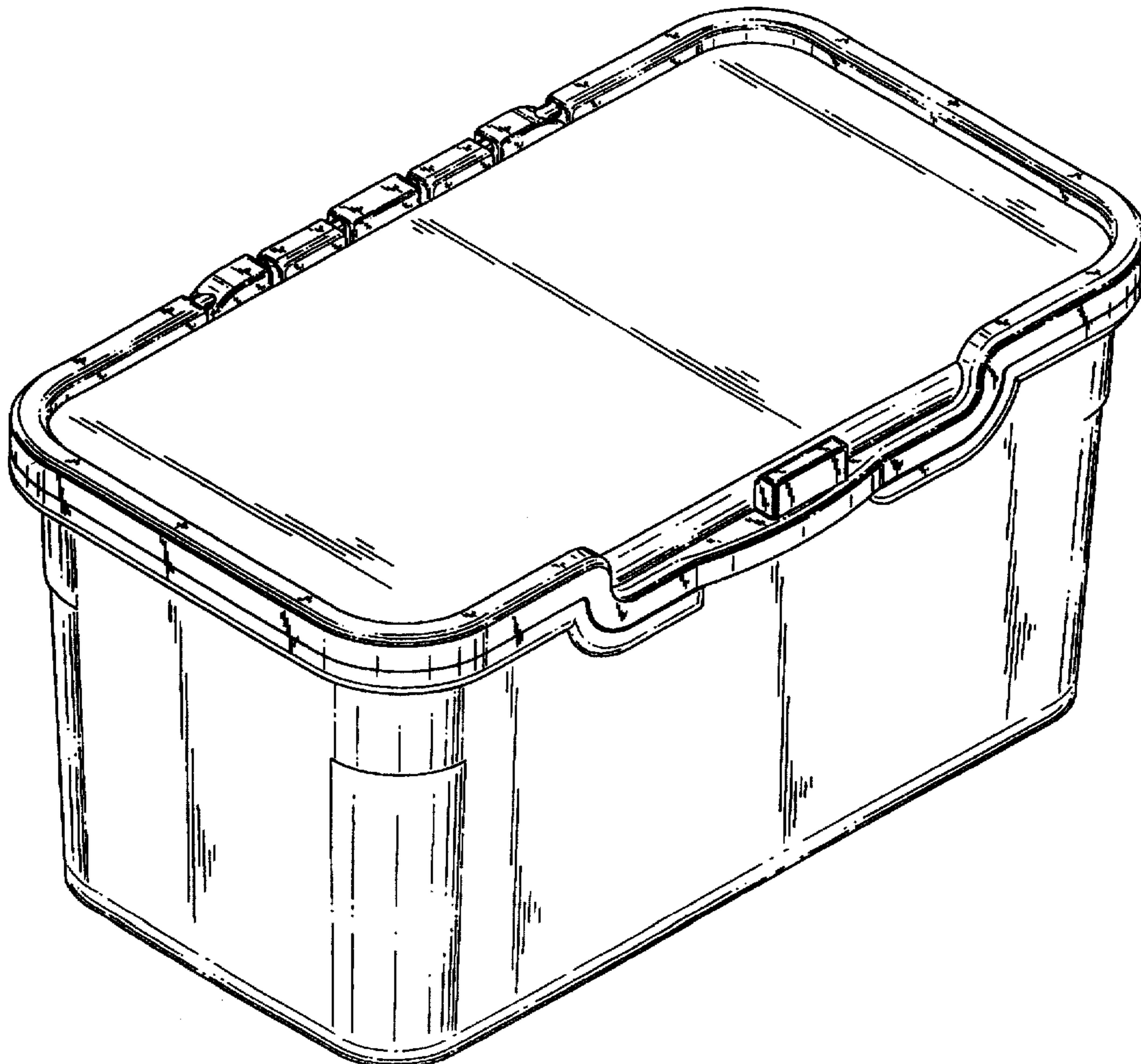
[57] **CLAIM**

The ornamental design for a container having hinged lid, as shown and described.

**DESCRIPTION**

FIG. 1 is a perspective view of a container having hinged lid showing my new design;  
FIG. 2 is a front elevational view thereof;  
FIG. 3 is a top plan view thereof;  
FIG. 4 is a bottom plan view of FIG. 1;  
FIG. 5 is a right side of FIG. 2; the left side of FIG. 2 being the reverse of FIG. 5;  
FIG. 6 is a rear elevation of FIG. 2; and,  
FIG. 7 is a perspective view similar to FIG. 1 showing the hinged lid partially open.

**1 Claim, 4 Drawing Sheets**



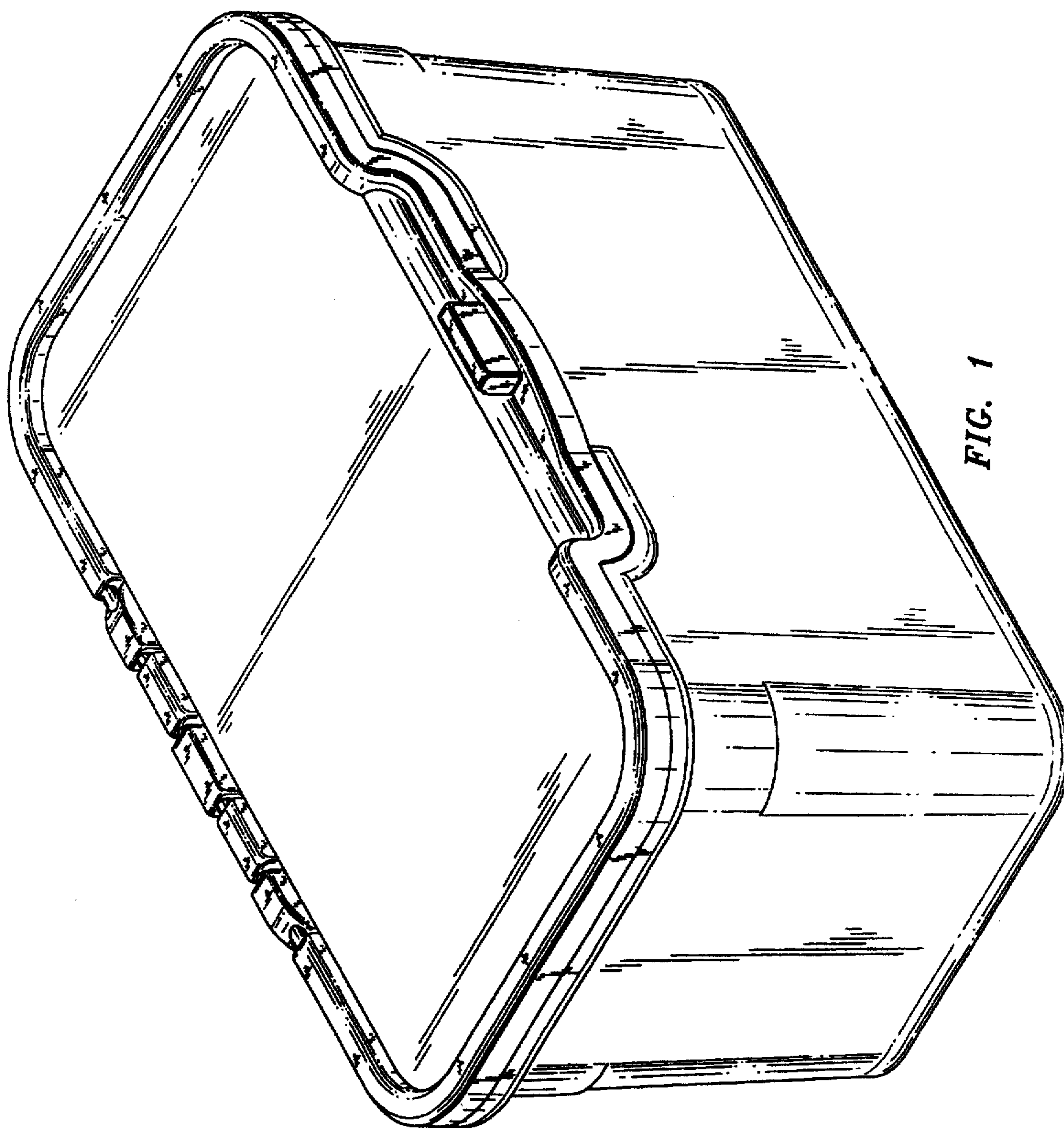


FIG. 1

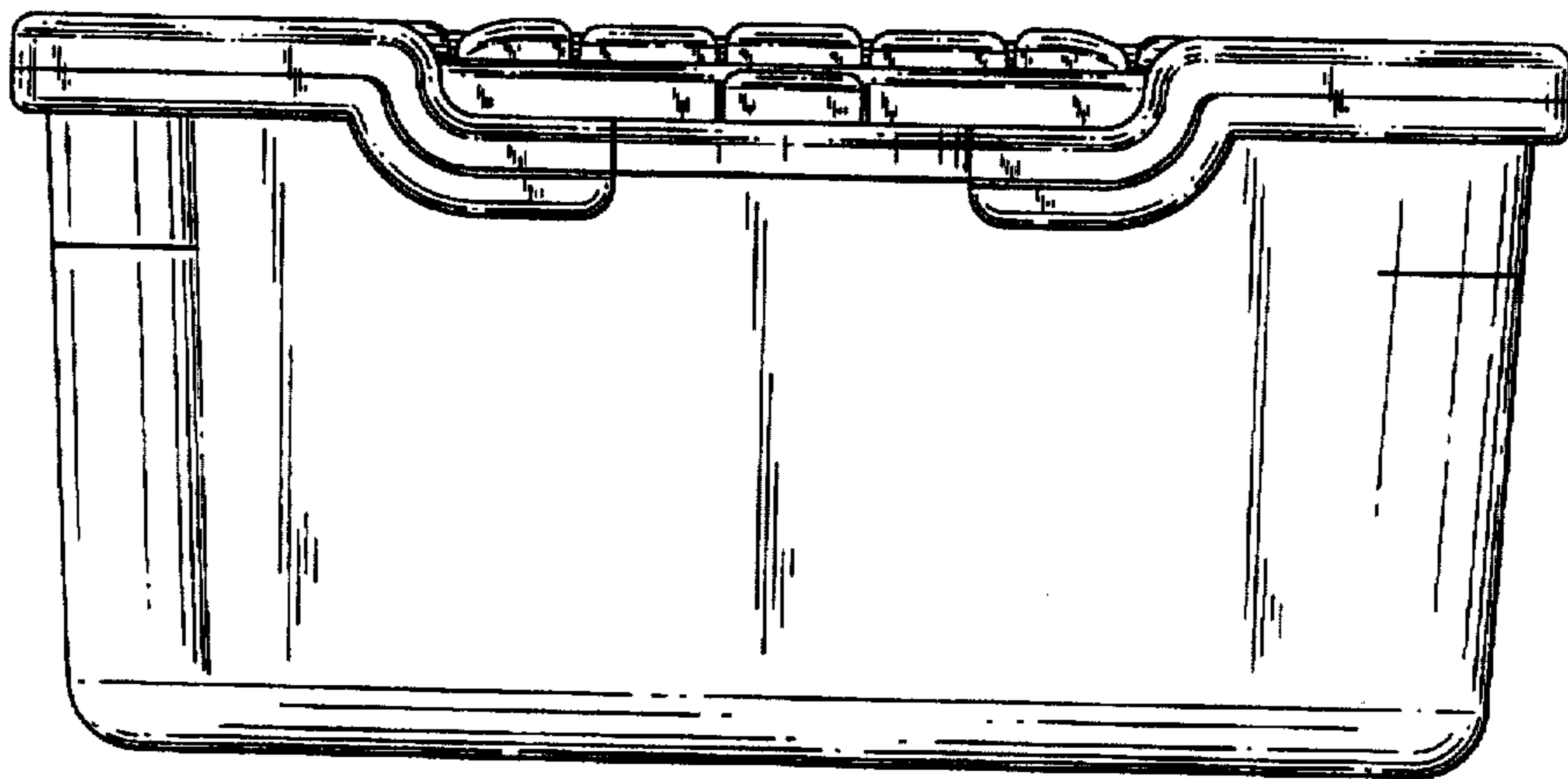


FIG. 2

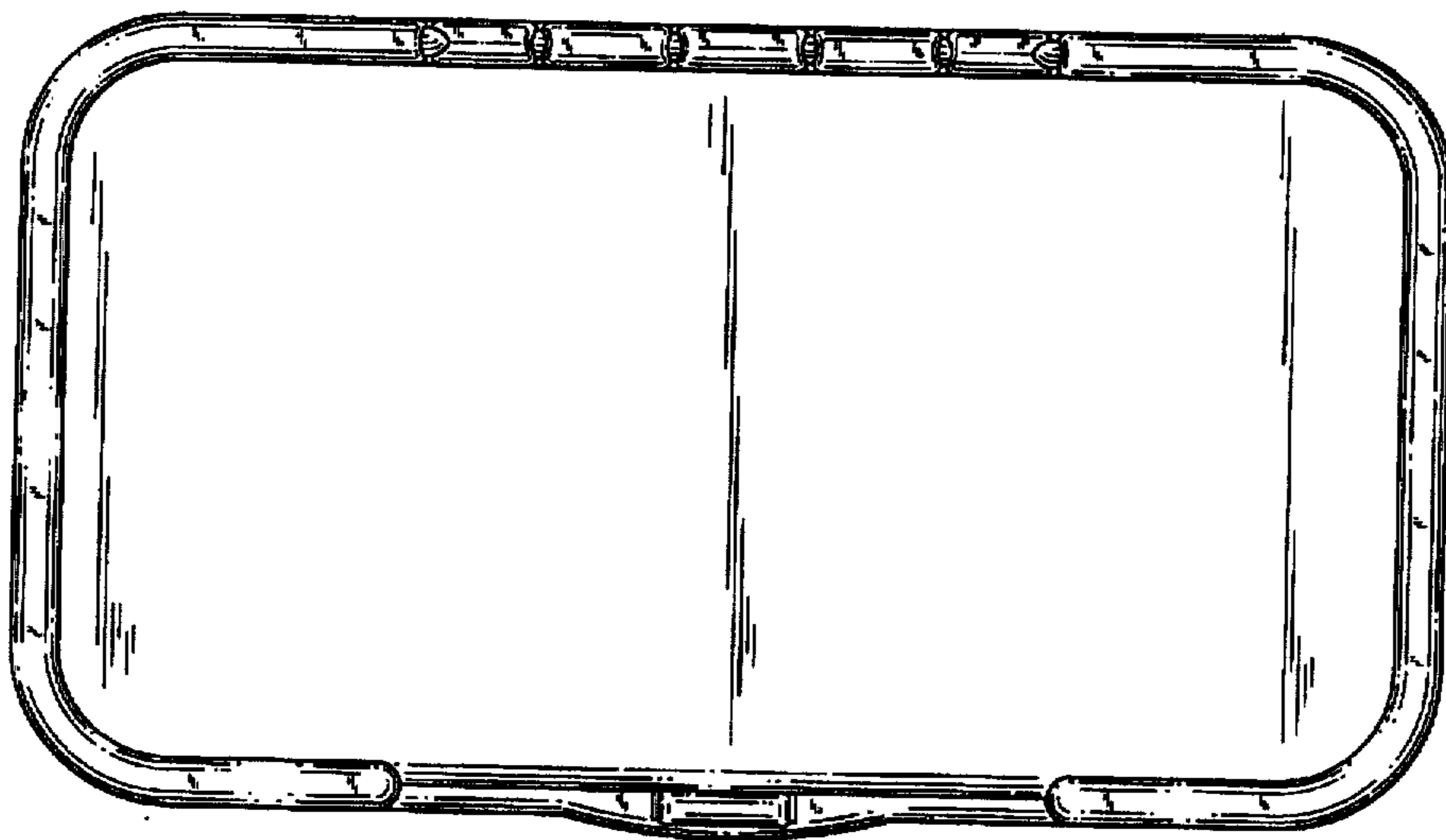


FIG. 3

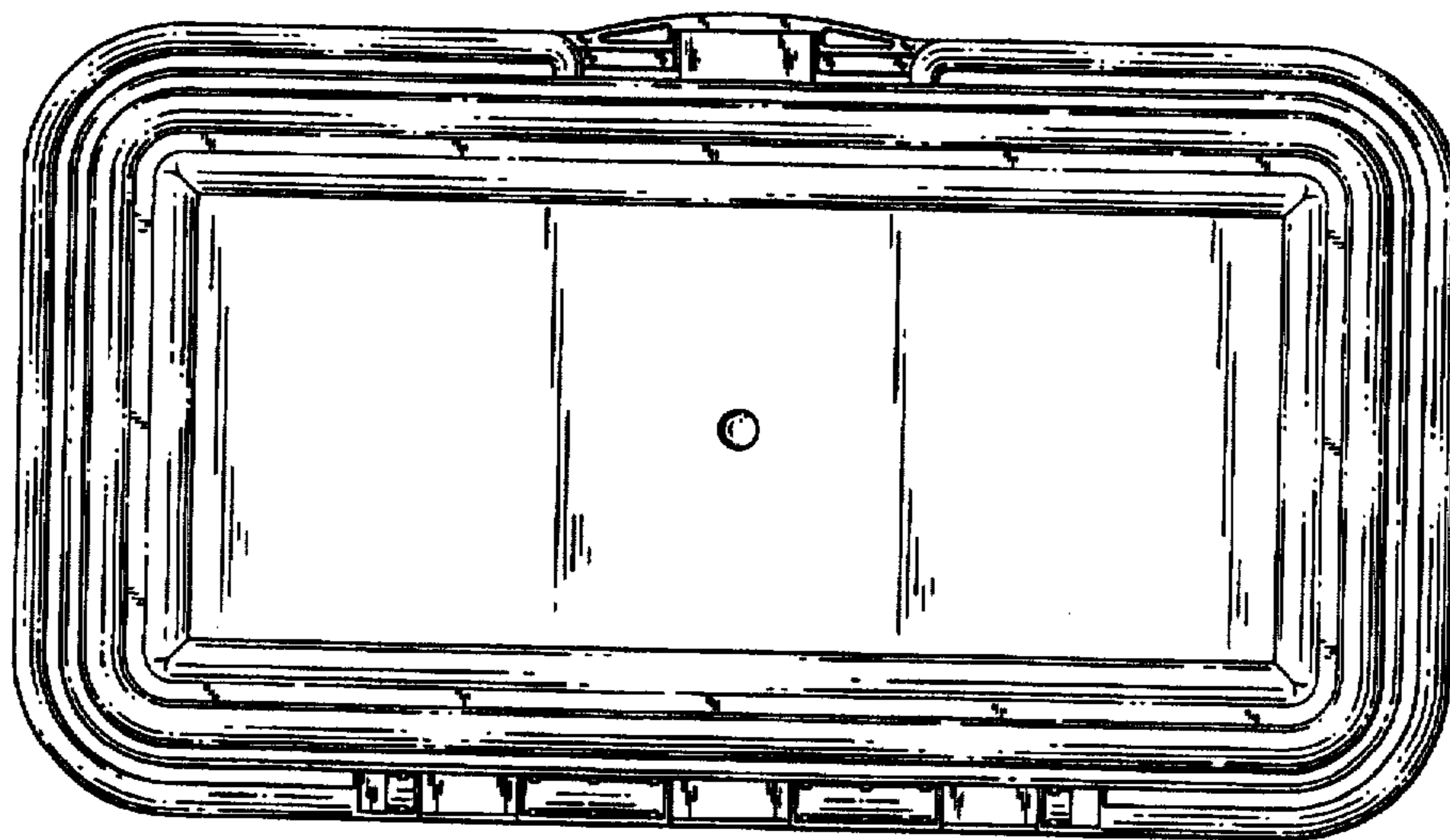
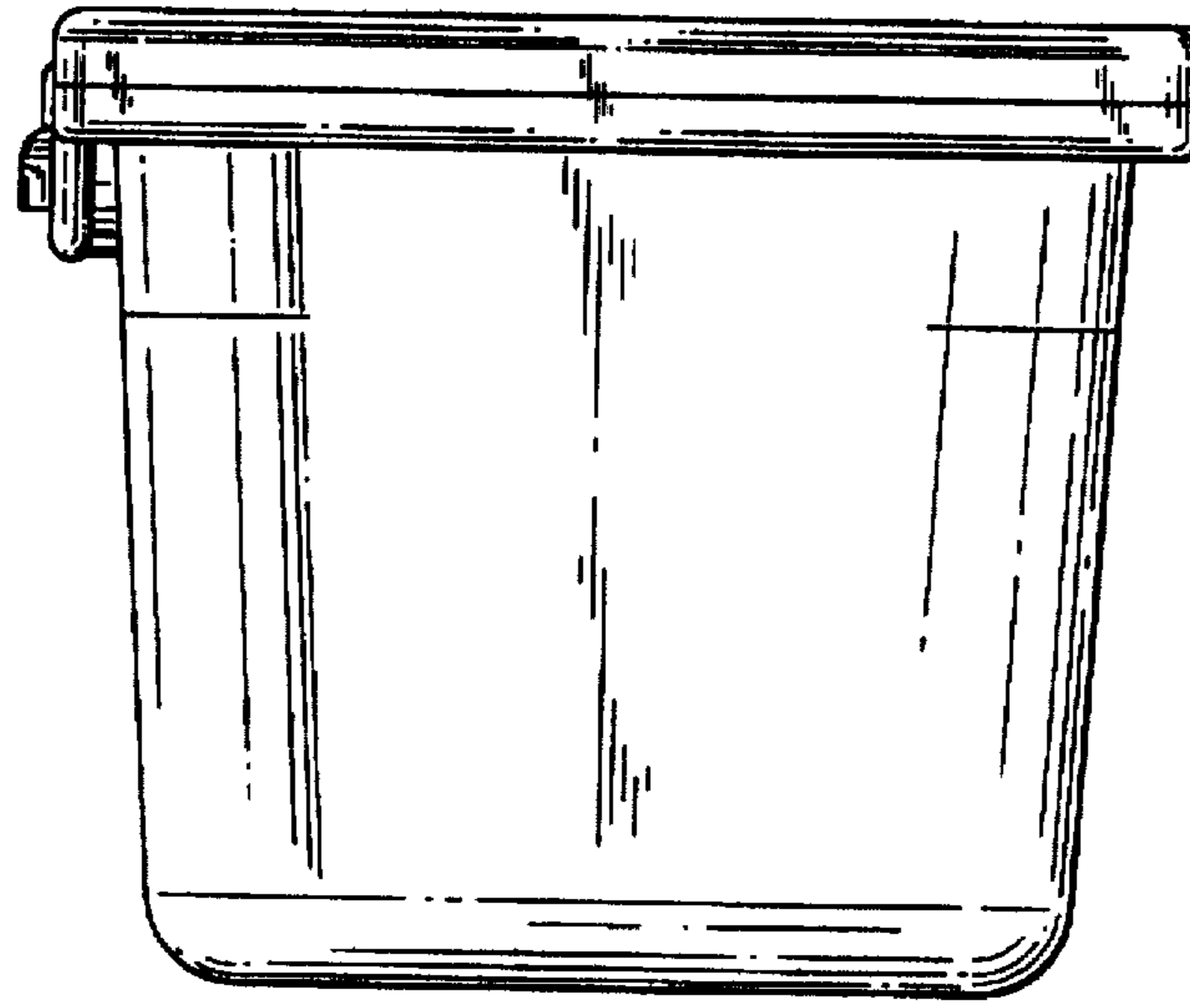
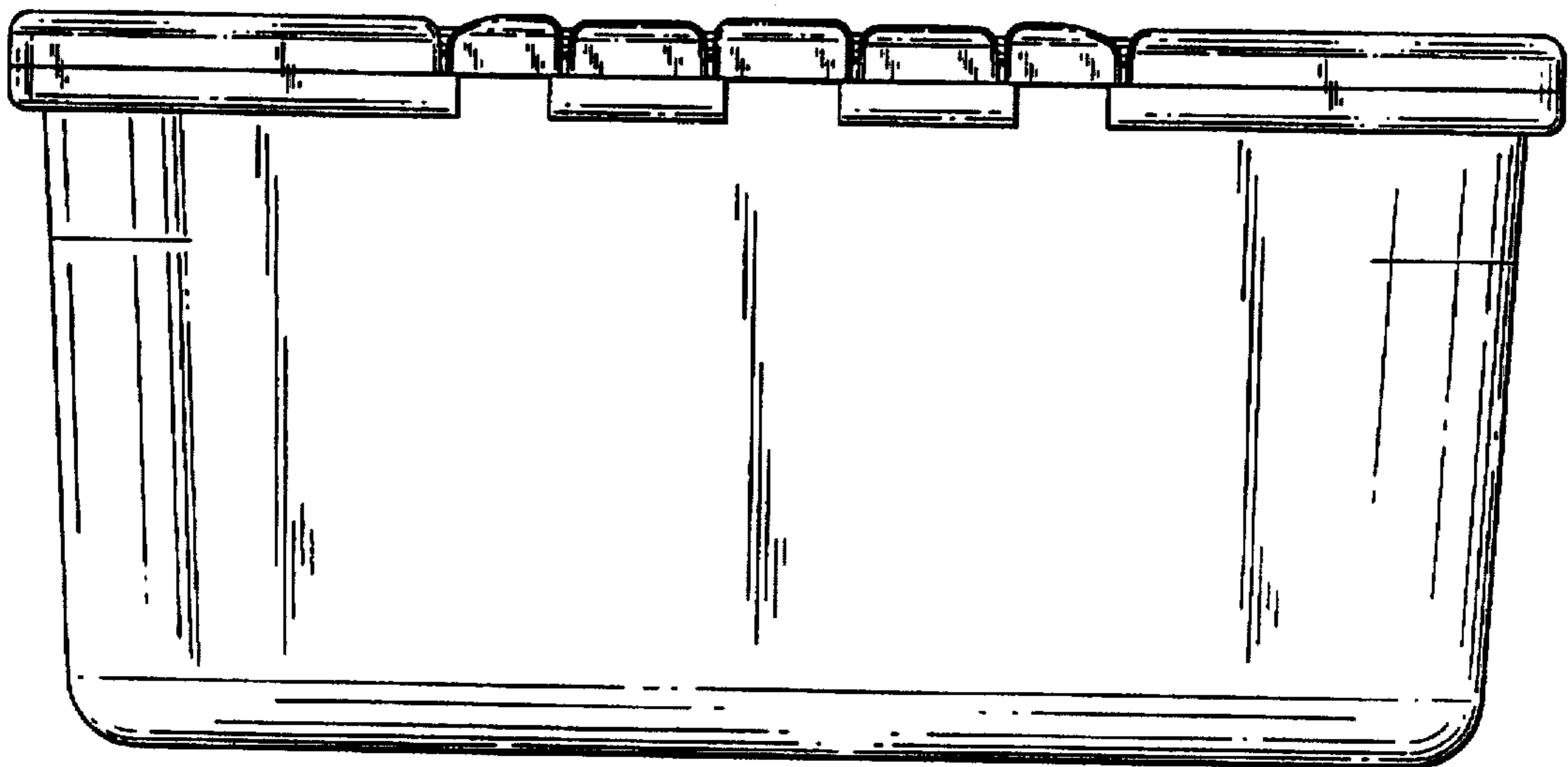


FIG. 4





*FIG. 5*



*FIG. 6*

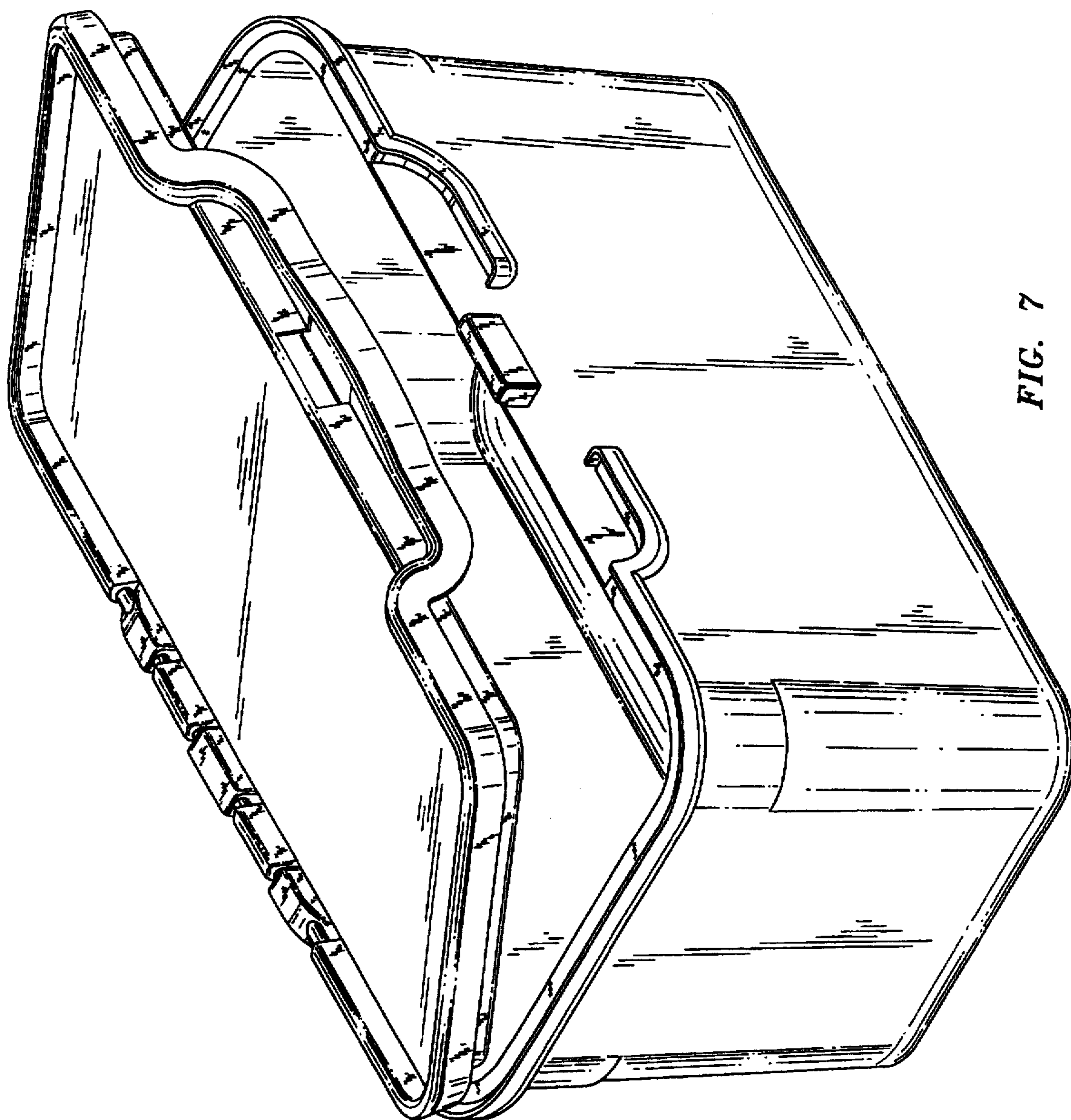


FIG. 7