



US00D384499S

**United States Patent** [19]  
**Gaestel**

[11] **Patent Number: Des. 384,499**  
[45] **Date of Patent: \*\*Oct. 7, 1997**

[54] **WALLET**

[75] **Inventor: Richard Gaestel, Merced, Calif.**

[73] **Assignee: Swallet, Inc., Atwater, Calif.**

[\*\*] **Term: 14 Years**

[21] **Appl. No.: 50,334**

[22] **Filed: Feb. 15, 1996**

[51] **LOC (6) Cl. .... 03-01**

[52] **U.S. Cl. .... D3/247; D3/253**

[58] **Field of Search .... D3/201, 247, 249,  
D3/250, 253; 150/117, 131, 132, 136, 141,  
145, 147; 190/103; 206/216, 457**

[56] **References Cited**

**U.S. PATENT DOCUMENTS**

D. 286,582	11/1986	Phelps	.....	D3/247
1,832,900	11/1931	Godfrey	.....	150/117 X
1,833,881	11/1931	Hughes	.....	150/132
2,643,695	6/1953	Smith	.....	150/136
4,286,639	9/1981	Murphy	.....	150/131 X

**FOREIGN PATENT DOCUMENTS**

2373988	8/1978	France	.....	150/147
---------	--------	--------	-------	---------

*Primary Examiner*—Louis S. Zarfes  
*Assistant Examiner*—Monica A. Weingart  
*Attorney, Agent, or Firm*—Michael A. Painter

[57] **CLAIM**

The ornamental design for a wallet, as described and shown.

**DESCRIPTION**

FIG. 1 is a front perspective view of a wallet showing my new design, the rear perspective view being identical thereto;

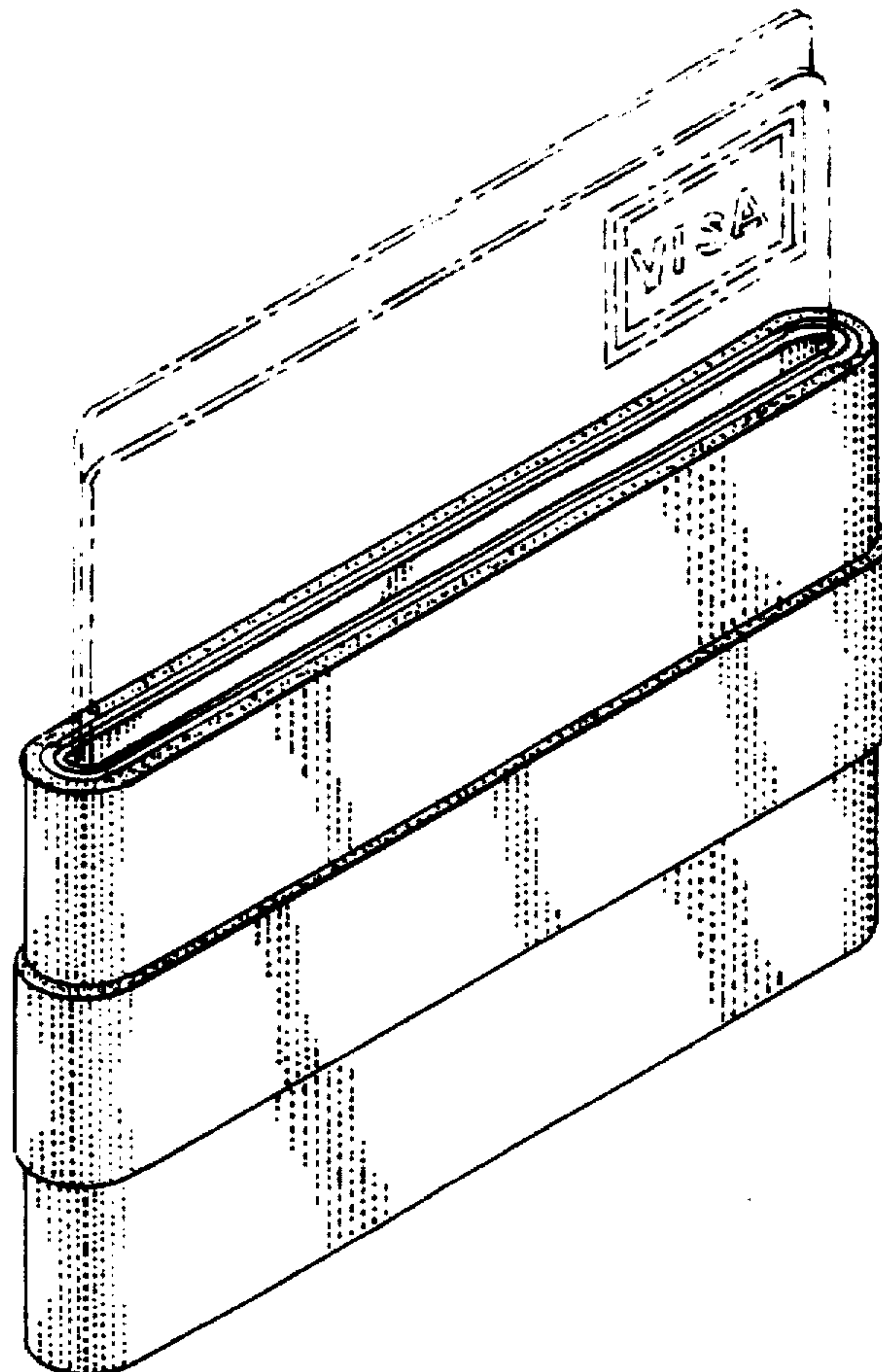
FIG. 2 is a front elevation view thereof, the rear elevation view being identical thereof;

FIG. 3 is a top view thereof, the bottom being identical thereto; and,

FIG. 4 is a right side elevation view thereof, the left side elevation view being identical thereto.

The broken lines showing the placement of cards show the exemplary relationship between the present invention wallet and the cards and are for illustrative purposes only and form no part of the claimed invention.

**1 Claim, 1 Drawing Sheet**



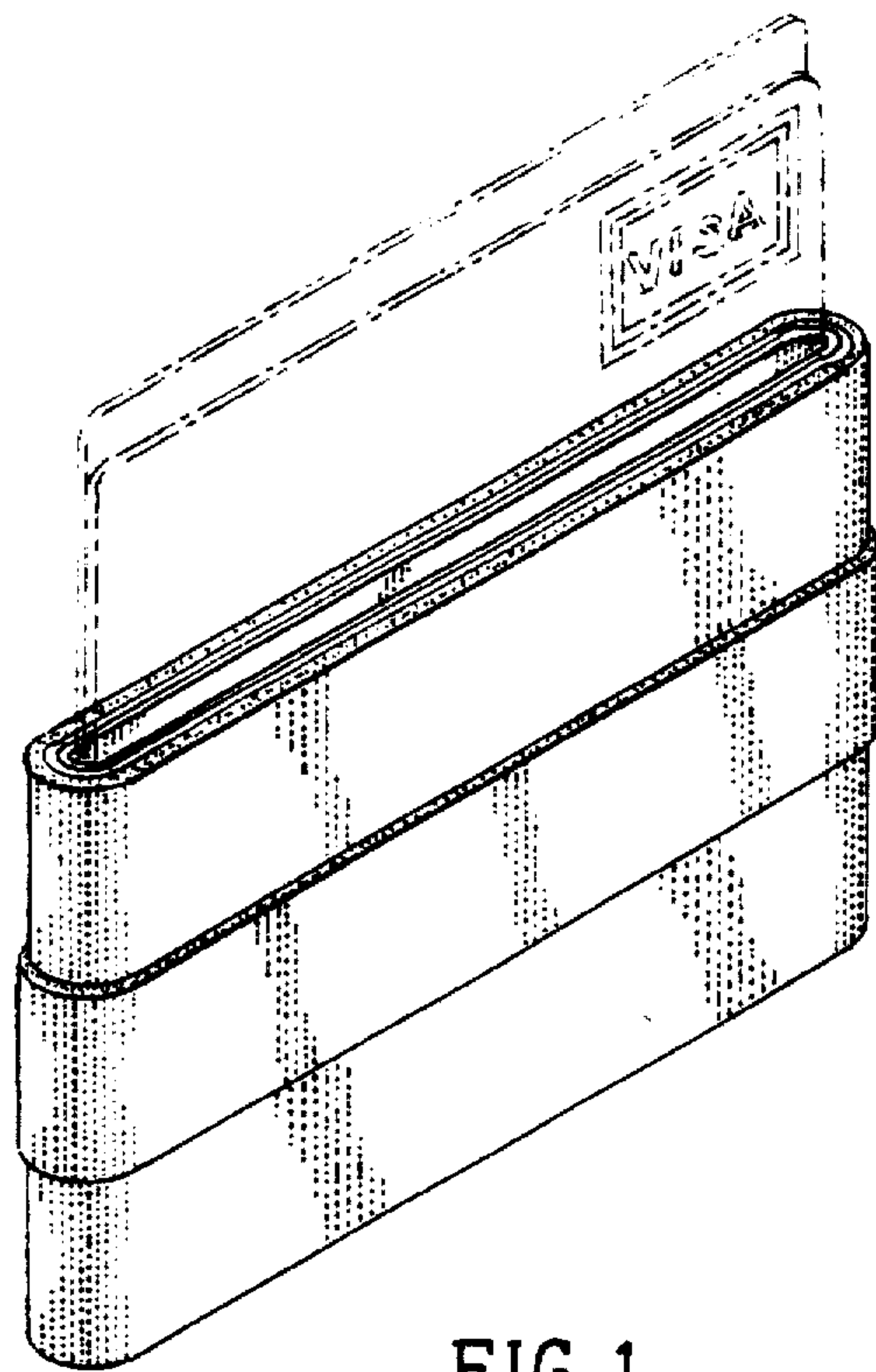


FIG. 1.

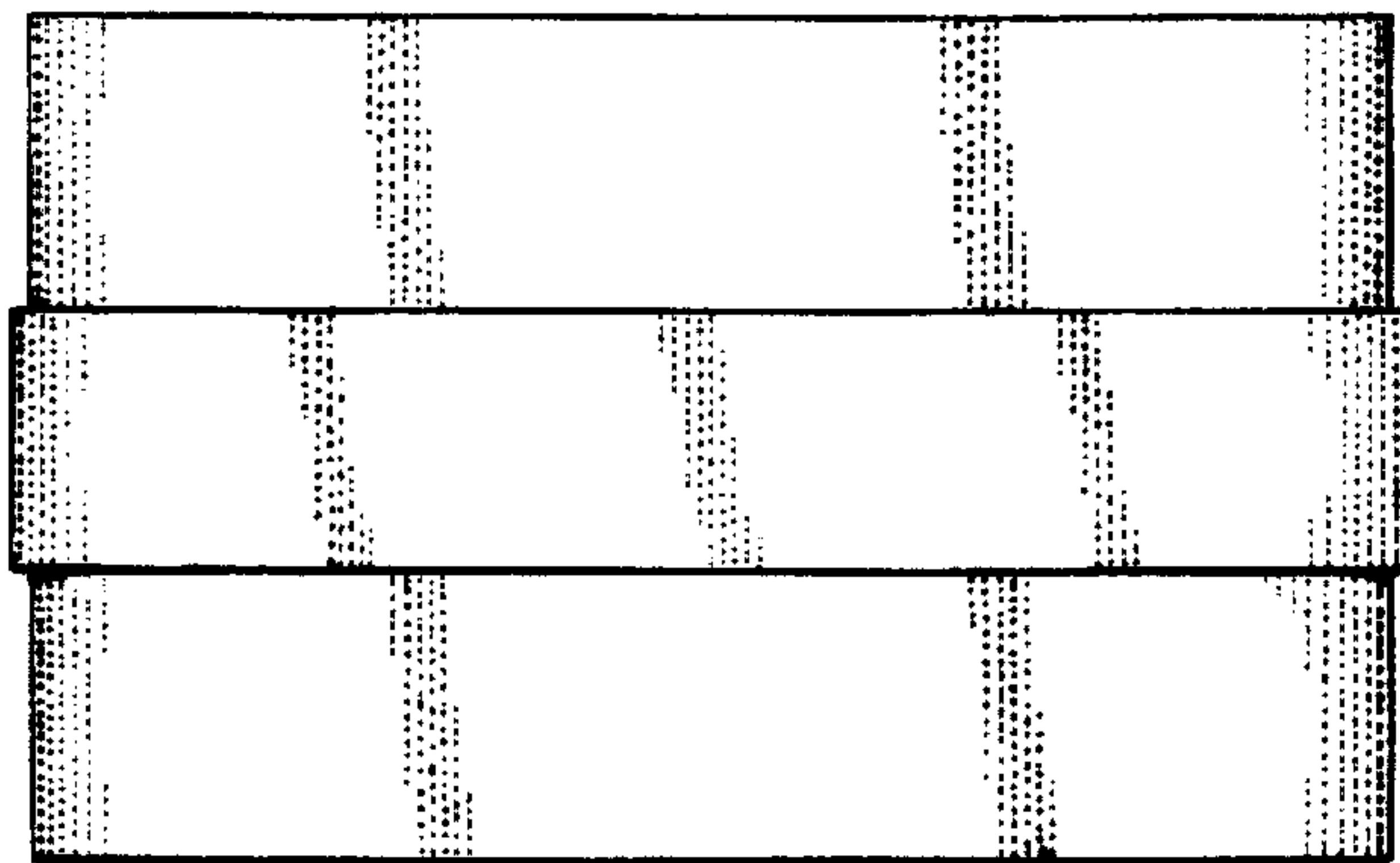


FIG. 2.



FIG. 4.

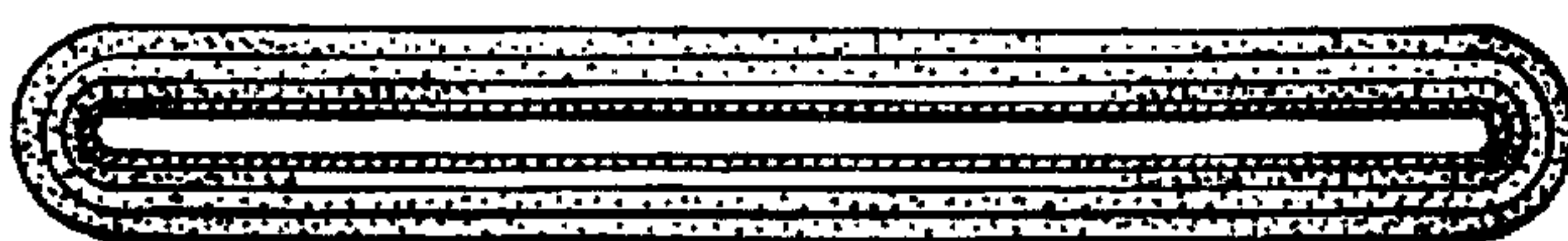


FIG. 3.