



US00D384495S

United States Patent [19]

Watson

[11] Patent Number: **Des. 384,495**

[45] Date of Patent: ****Oct. 7, 1997**

[54] **SHOE WITH INTERCHANGEABLE UPPER ELEMENT**

[76] Inventor: **Portia A. Watson**, 2110 E. 12th St., Austin, Tex. 78702-1704

[**] Term: **14 Years**

[21] Appl. No.: **51,725**

[22] Filed: **Mar. 15, 1996**

[51] LOC (6) Cl. **02-04**

[52] U.S. Cl. **D2/916**

[58] Field of Search D2/916, 969, 917; 36/11.5, 101

5,309,651	5/1994	Handel	36/100
5,311,676	5/1994	Hughes et al.	36/100
5,339,543	8/1994	Lin	36/11.5
5,347,730	9/1994	Colon	36/76 R

FOREIGN PATENT DOCUMENTS

937114	8/1948	France	36/11.5
643180	3/1937	Germany	36/11.5
804898	3/1951	Germany	36/101
3512023	10/1986	Germany	36/101
467247	1/1936	United Kingdom	36/11.5

Primary Examiner—Doris V. Coles

Attorney, Agent, or Firm—John D. Gugliotta; David L. Volk

[57] CLAIM

The ornamental design for a shoe with interchangeable upper element, as shown and described.

DESCRIPTION

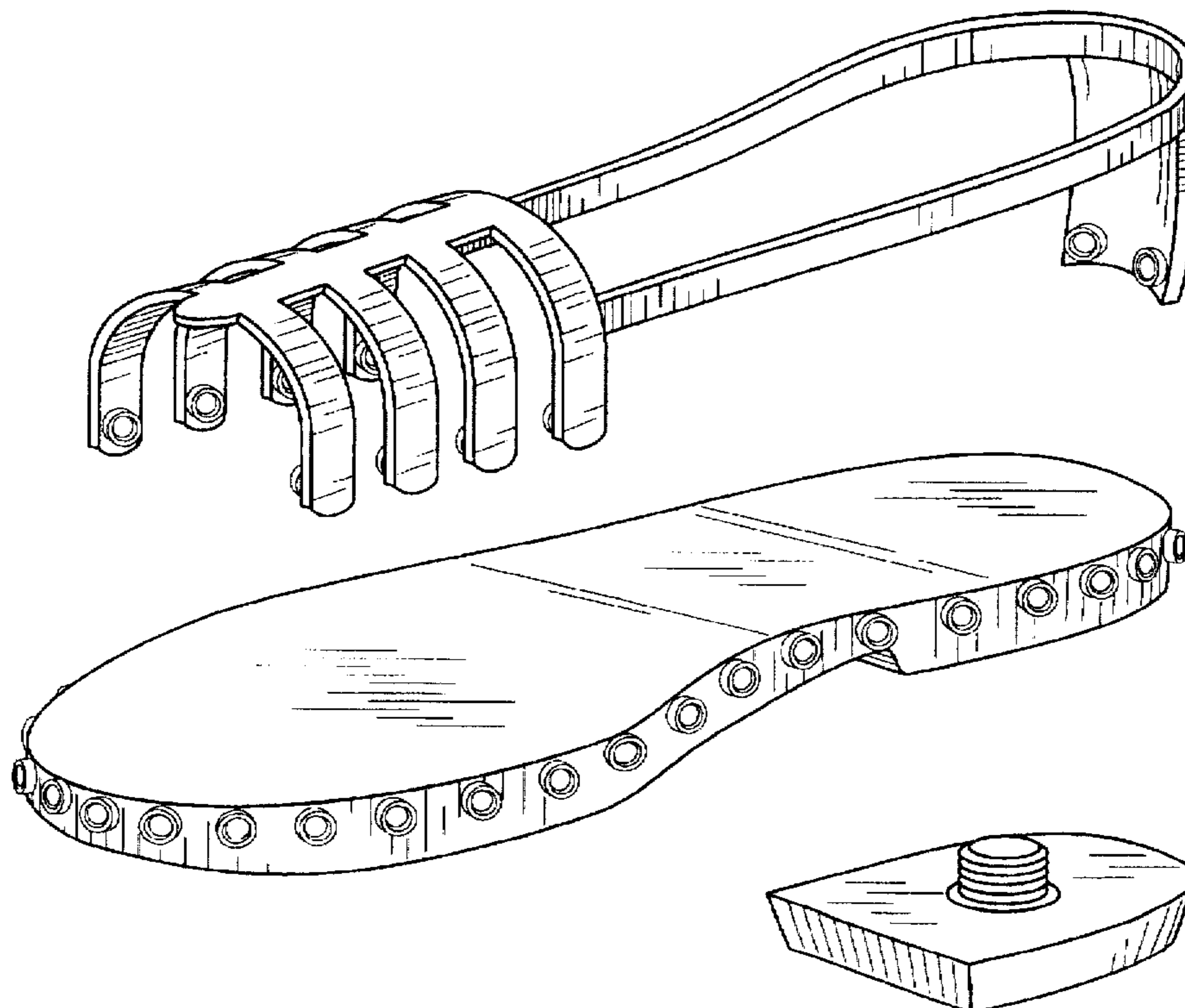
FIG. 1 is an exploded perspective view of a shoe with interchangeable upper element showing my new design; FIG. 2 is a top plan view of the completed shoe with interchangeable upper element; FIG. 3 is a left side elevational view thereof; FIG. 4 is a right side elevational view thereof; and, FIG. 5 is a bottom plan view thereof.

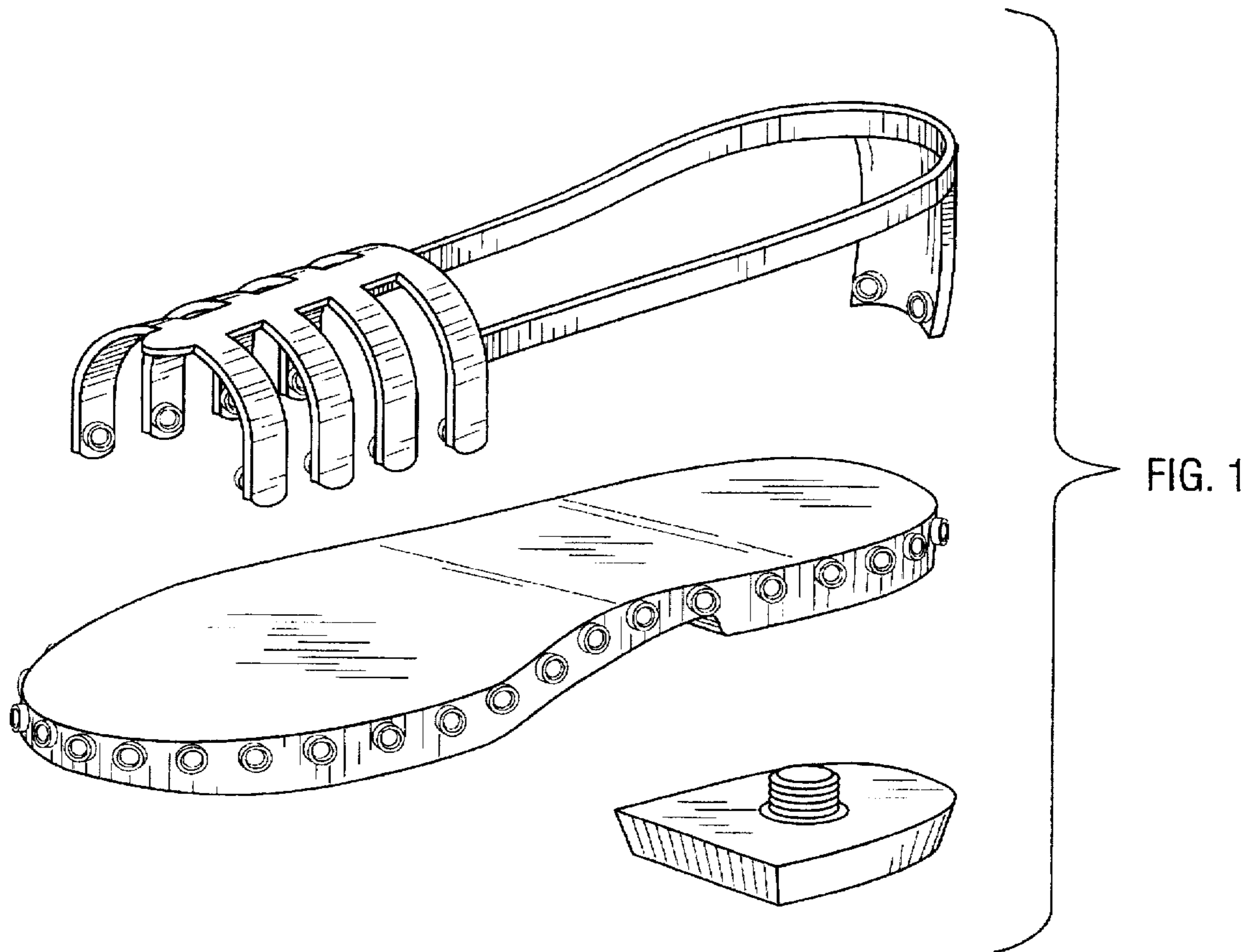
1 Claim, 3 Drawing Sheets

[56] References Cited

U.S. PATENT DOCUMENTS

D. 92,201	5/1934	Perugia	D2/917
D. 273,529	4/1984	Morgan	D2/916
D. 279,326	6/1985	Foldes	D2/916
2,015,479	9/1935	Koomruian	36/11.5
2,495,984	1/1950	Roy	36/11.5 X
2,507,120	5/1950	Shapiro	36/101
2,607,133	8/1952	Marlowe	36/101
3,000,116	9/1961	Ally	36/101
3,925,915	12/1975	Colli	36/11.5
4,745,693	5/1988	Brown	36/101
5,282,288	2/1994	Henson	2/142 P





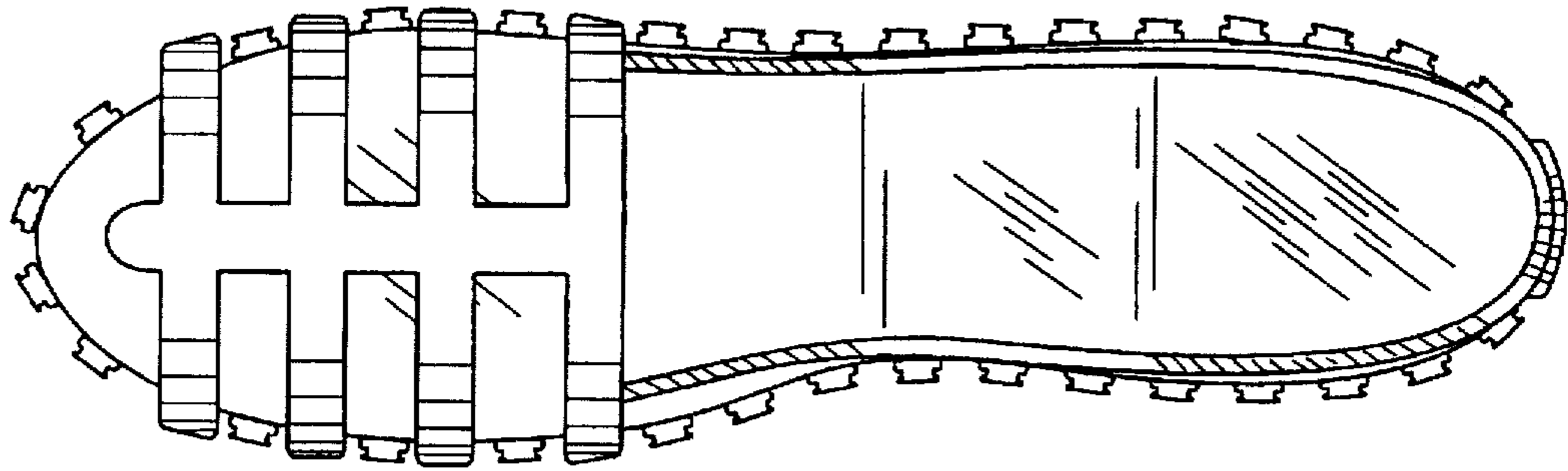


FIG. 2

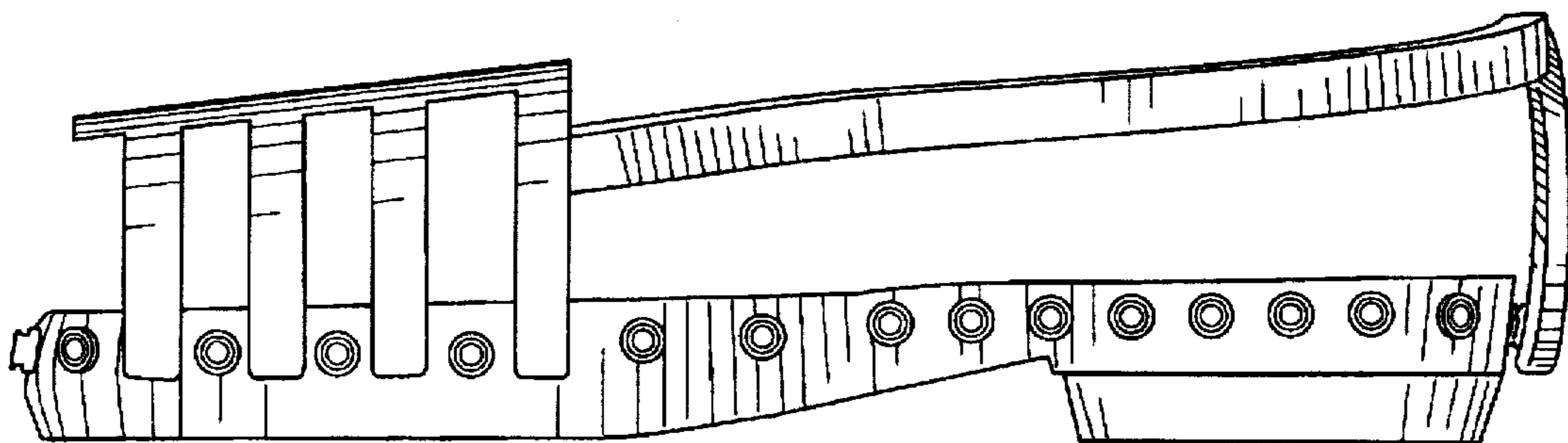


FIG. 3

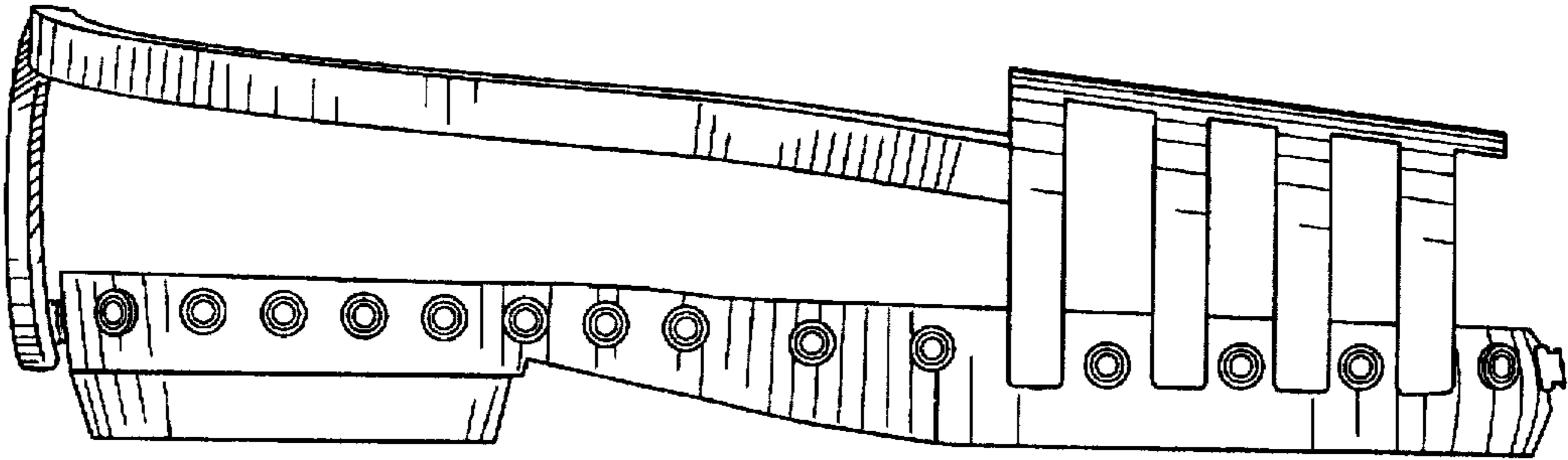


FIG. 4

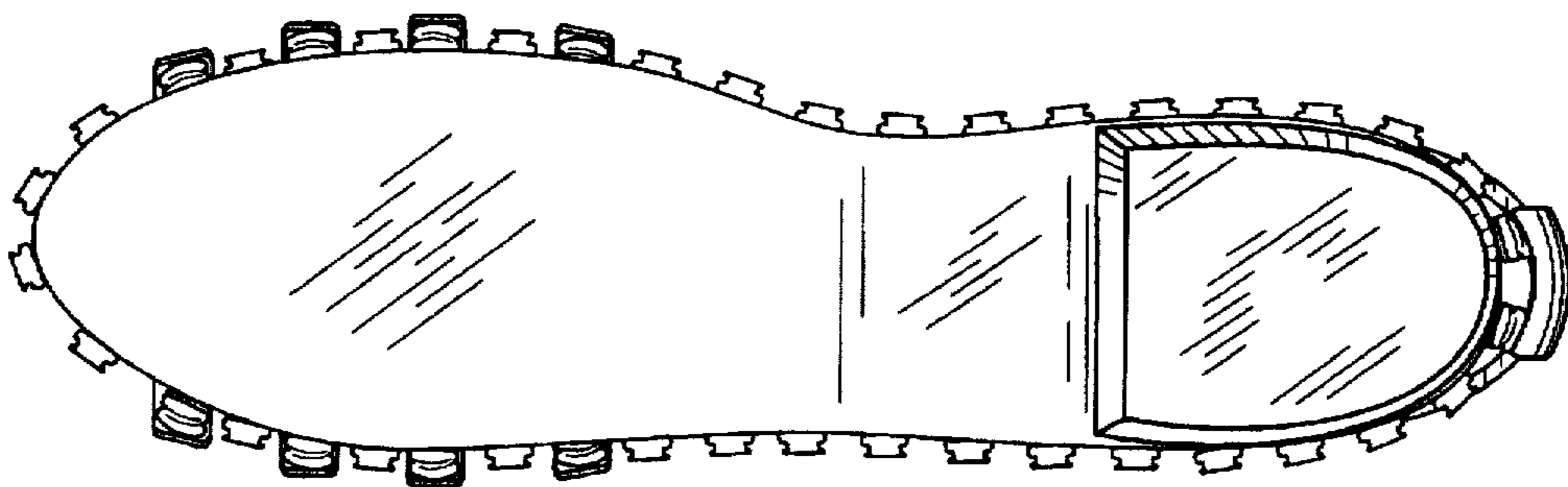


FIG. 5