



US00D384484S

United States Patent [19]

[11] Patent Number: **Des. 384,484**

Ibarra et al.

[45] Date of Patent: ****Sep. 30, 1997**

[54] **NOZZLE FOR TAPPING CONTAINERS**

[75] Inventors: **Gonzalo Guinea Ibarra, Getxo; Tomás Aurrekoetxea Ugalde, Bilboa, both of Spain**

[73] Assignee: **Deguisa, S.A., Spain**

[**] Term: **14 Years**

[21] Appl. No.: **44,041**

[22] Filed: **Sep. 15, 1995**

[30] **Foreign Application Priority Data**

Mar. 17, 1995 [ES] Spain 134642

[51] LOC (6) CL **09-02**

[52] U.S. Cl. **D34/39; D23/213**

[58] Field of Search D9/447, 448; D7/398; D8/2; D23/213; D34/39; 222/591, 594, 606, 607; 266/236

[56] **References Cited**

U.S. PATENT DOCUMENTS

- D. 295,138 4/1988 Hyde D7/398
- D. 358,989 6/1995 Woods D9/448
- D. 366,051 1/1996 Lewis et al. D23/213 X

- D. 369,648 5/1996 Fowler D23/213
- 3,368,591 2/1968 Zerbetto 222/566
- 3,451,594 6/1969 Stewart 222/566
- 4,079,868 3/1978 Moniot 222/591
- 4,784,302 11/1988 Raman et al. 222/606 X
- 5,244,130 9/1993 Ozeki et al. 222/606 X
- 5,429,283 7/1995 Luhrsen et al. 222/606

Primary Examiner—James Gandy
Assistant Examiner—Cathron B. Matta
Attorney, Agent, or Firm—Ostrolenk, Faber, Gerb & Soffen, LLP

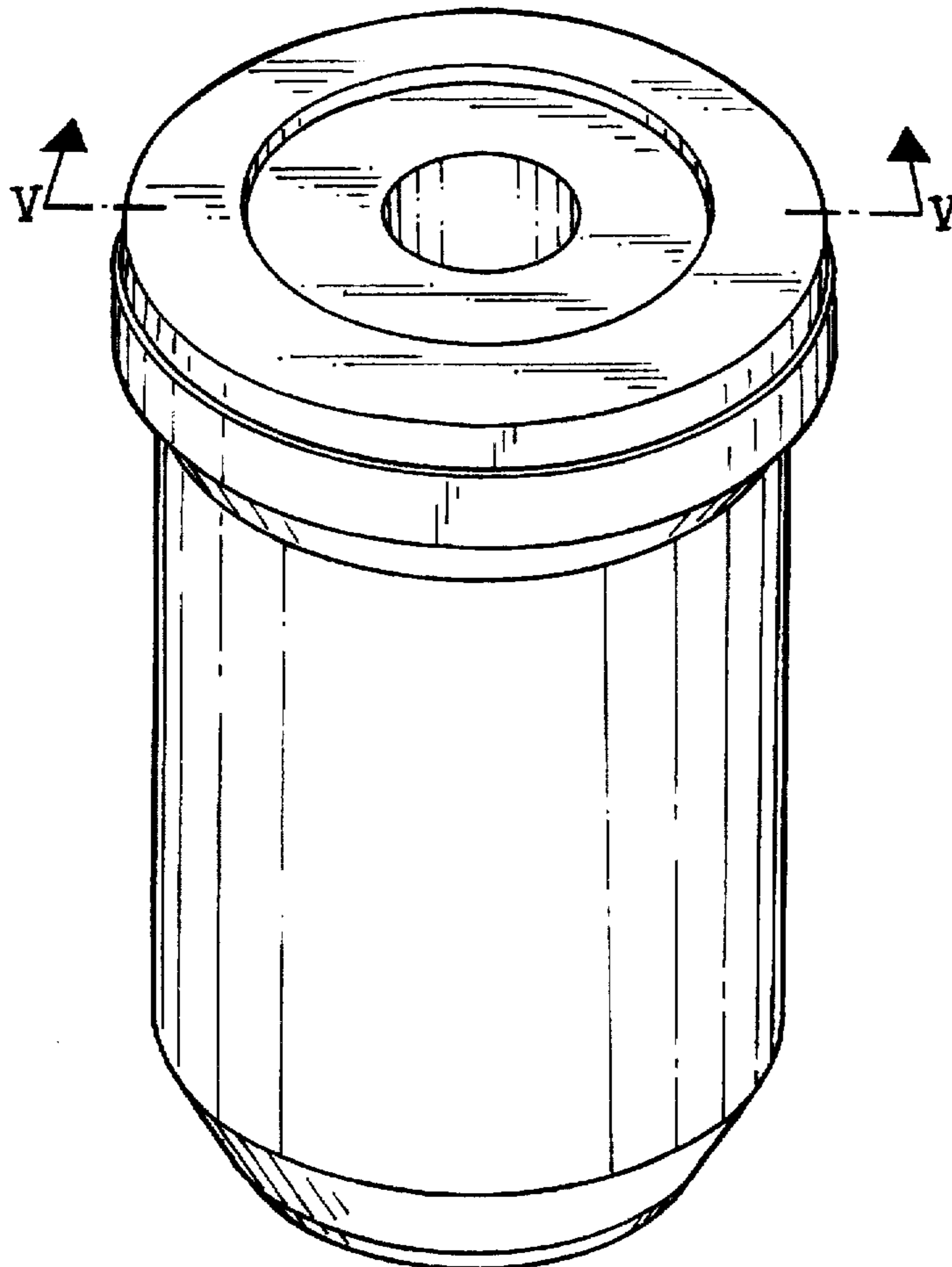
[57] **CLAIM**

The ornamental design for nozzle for tapping containers, as shown and described.

DESCRIPTION

FIG. 1 is a front view of a nozzle for tapping containers showing my new design, the view from all sides being the same;
FIG. 2 is a bottom view thereof;
FIG. 3 is a top view thereof;
FIG. 4 is a top perspective view thereof shown at an enlarged scale; and,
FIG. 5 is a cross sectional view taken along line V—V of FIG. 4.

1 Claim, 3 Drawing Sheets



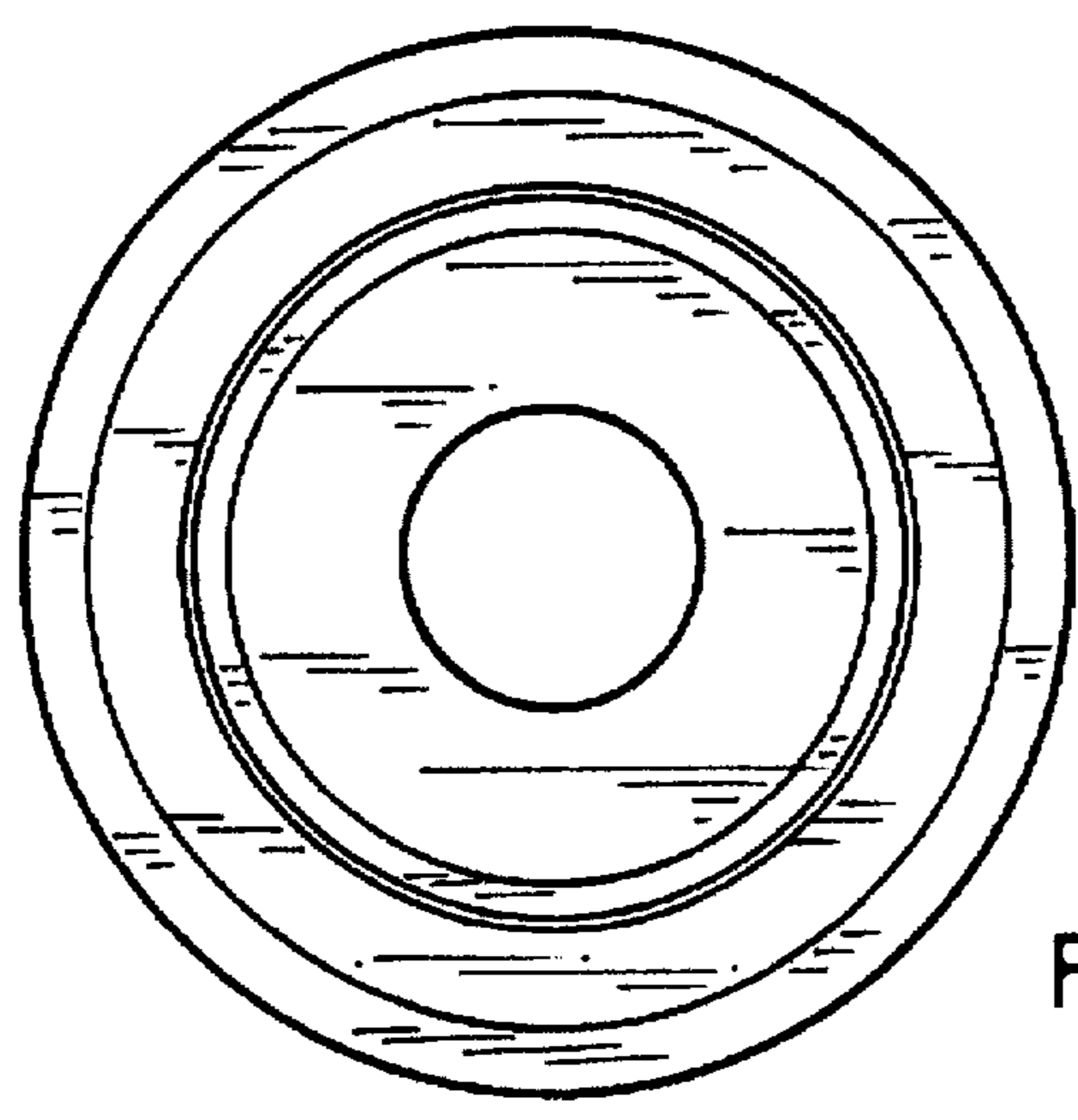


FIG. 2

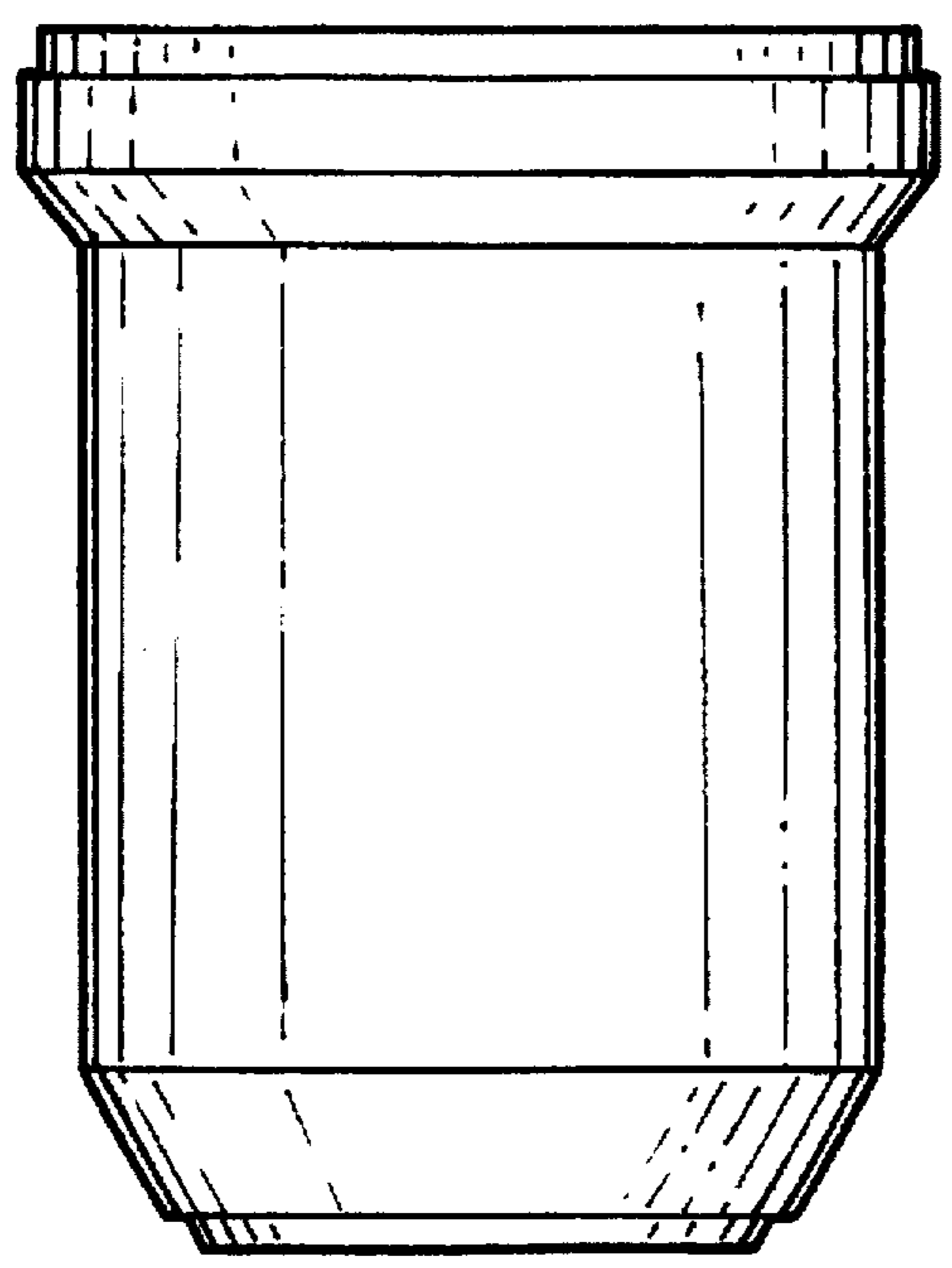


FIG. 1

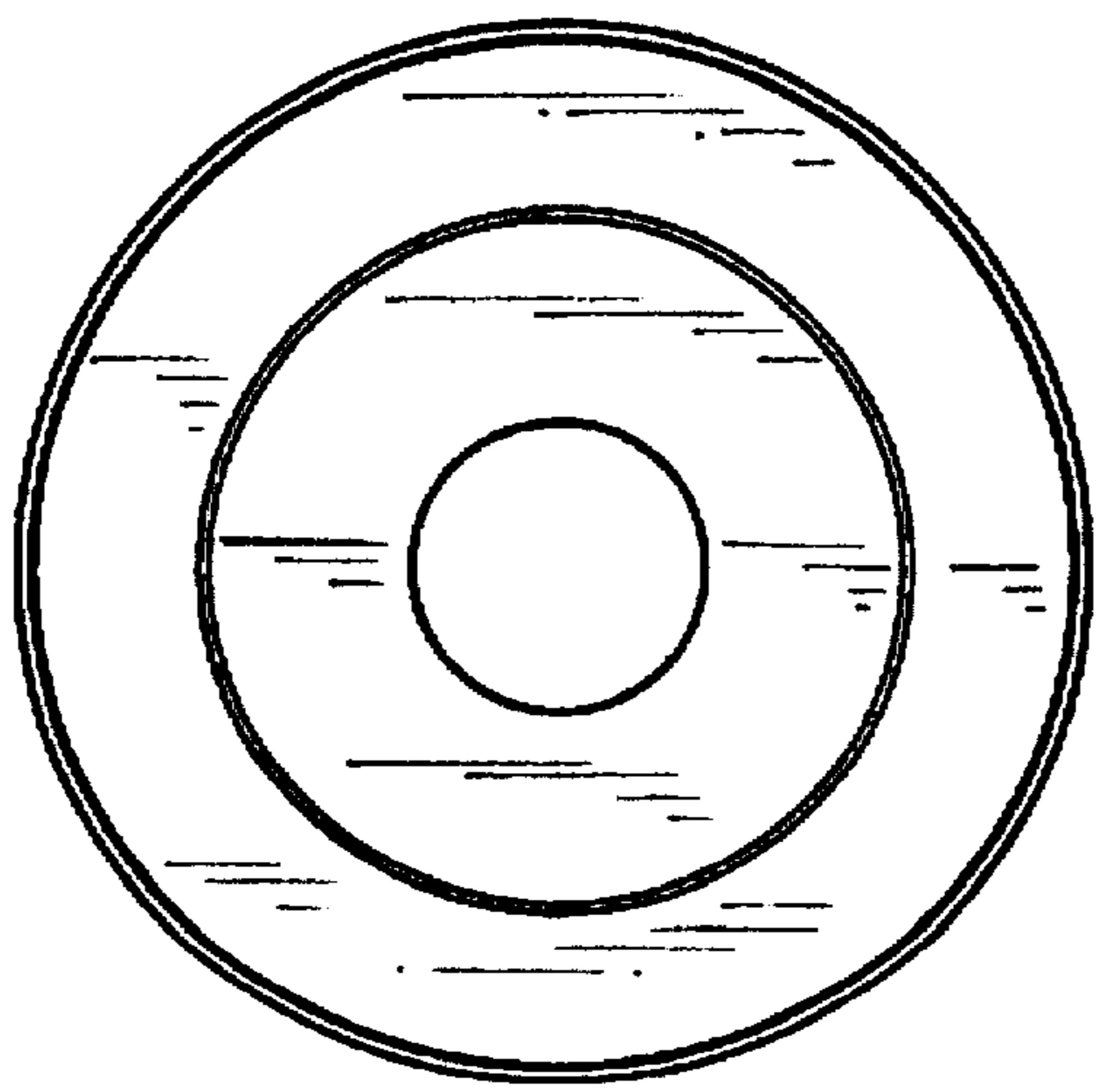


FIG. 3

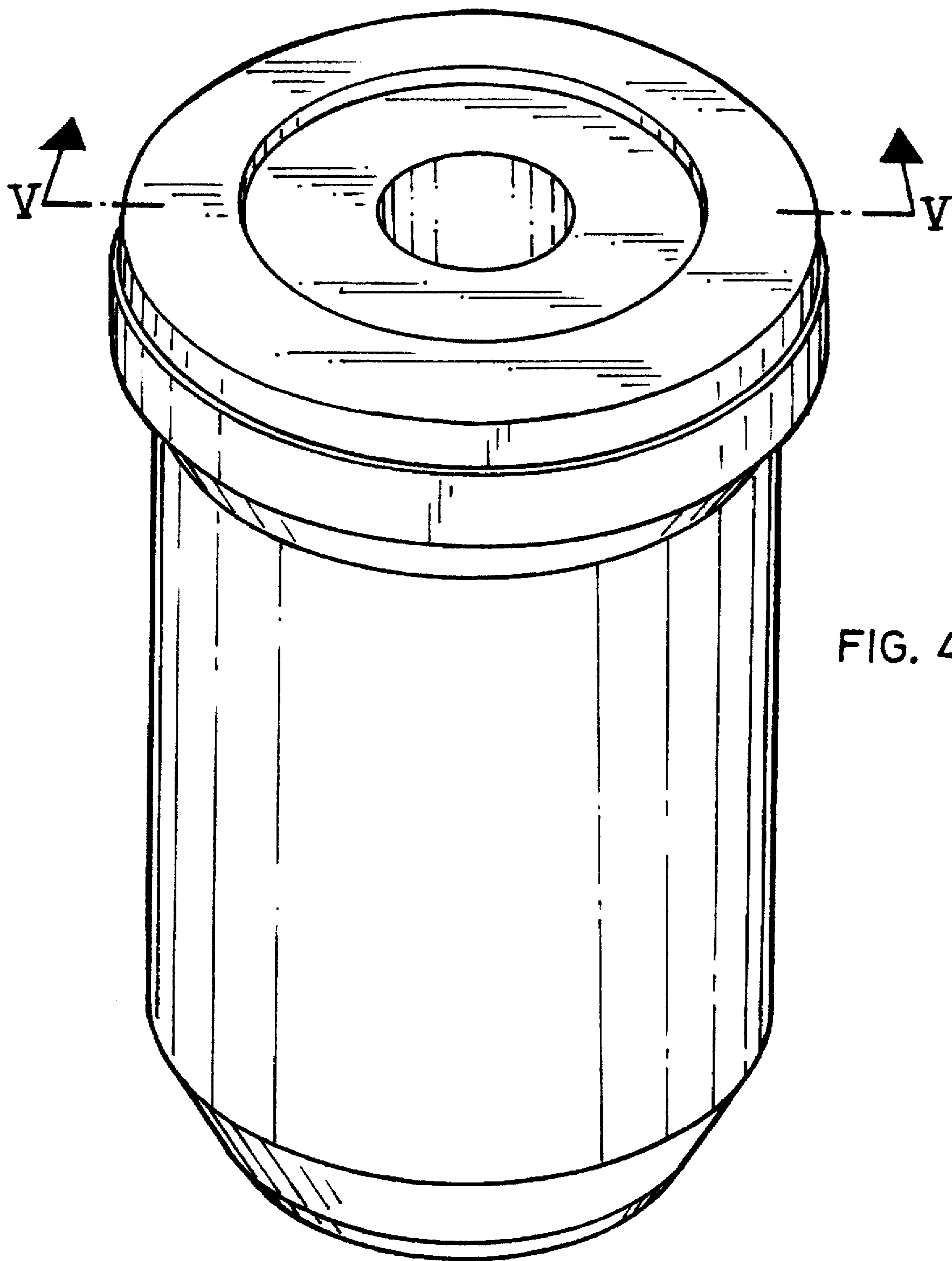


FIG. 4

FIG. 5

