

US00D384482S

# United States Patent [19] Thole

[11] Patent Number: **Des. 384,482**  
[45] Date of Patent: **\*\*Sep. 30, 1997**

[54] **MOBIL HOME SUPPORT STANCHION**

4,690,361 9/1987 Tundman ..... D34/31  
4,856,747 8/1989 Gazo ..... 248/354.7  
5,180,131 1/1993 Few ..... 248/352

[76] Inventor: **Glenn F. Thole**, P.O. Box 209,  
Midpines, Calif. 95345

*Primary Examiner*—Melody N. Brown  
*Attorney, Agent, or Firm*—Daniel C. McKown

[\*\*] Term: **14 Years**

[57] **CLAIM**

[21] Appl. No.: **55,258**

The ornamental design for a mobile home support stanchion,  
as shown and described.

[22] Filed: **Jun. 3, 1996**

**DESCRIPTION**

[51] LOC (6) Cl. .... **12-05**

[52] U.S. Cl. .... **D34/31; D12/106**

[58] **Field of Search** ..... D34/31, 32, 28;  
D12/106; 248/351, 352, 357, 354.1-354.7;  
254/94, 86 R, 425, 419, 423; 52/146, DIG. 11

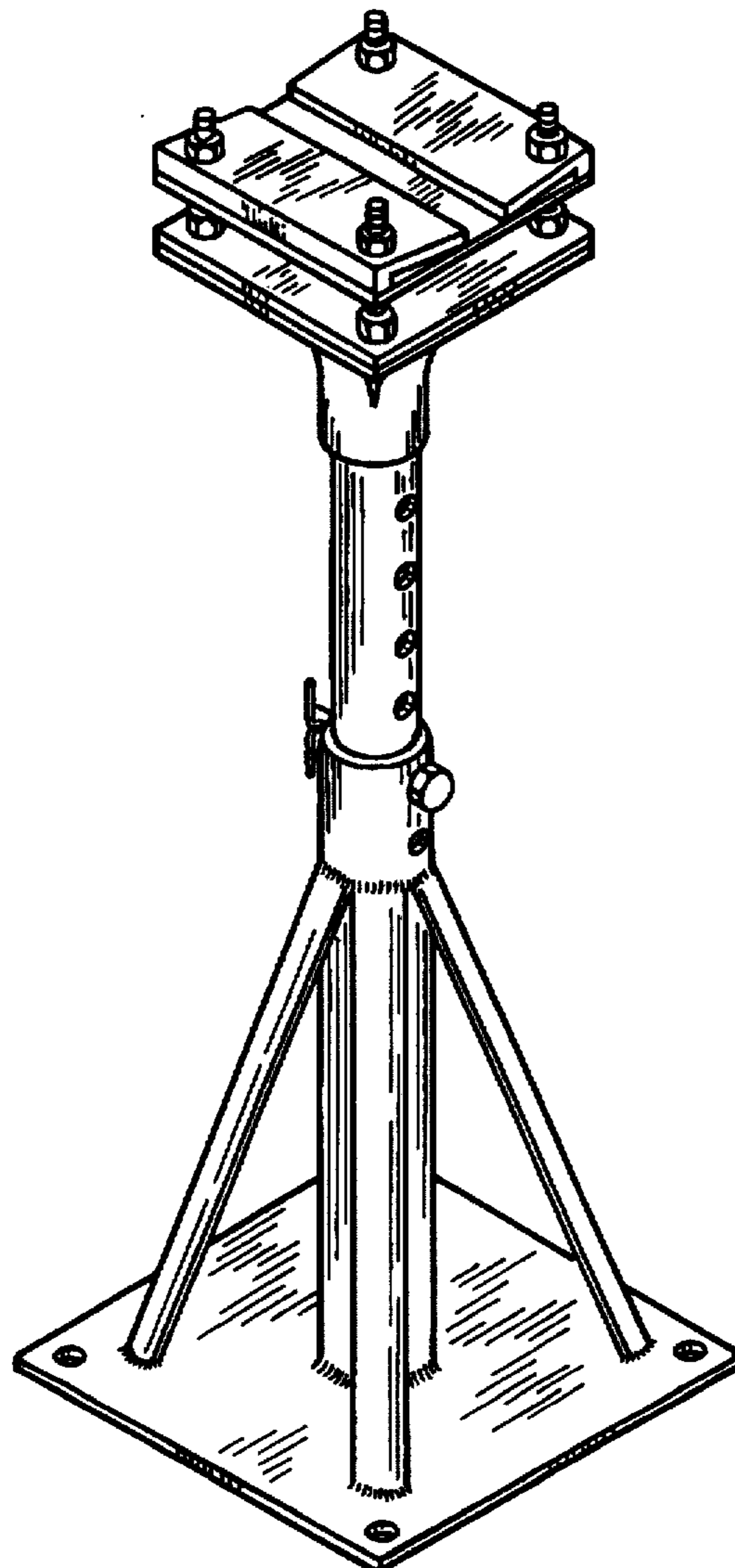
FIG. 1 is a front right top perspective view of a mobile home support stanchion showing my new design;  
FIG. 2 is a front elevational view thereof;  
FIG. 3 is a rear elevational view thereof;  
FIG. 4 is a right side elevational view thereof;  
FIG. 5 is a left side elevational view thereof;  
FIG. 6 is a top plan view thereof; and,  
FIG. 7 is a bottom plan view thereof.

[56] **References Cited**

**U.S. PATENT DOCUMENTS**

D. 298,879 12/1988 Corbett ..... D12/106 X  
D. 343,491 1/1994 Cusimano ..... D34/31  
D. 368,569 4/1996 Winslow et al. .... D34/31

**1 Claim, 4 Drawing Sheets**



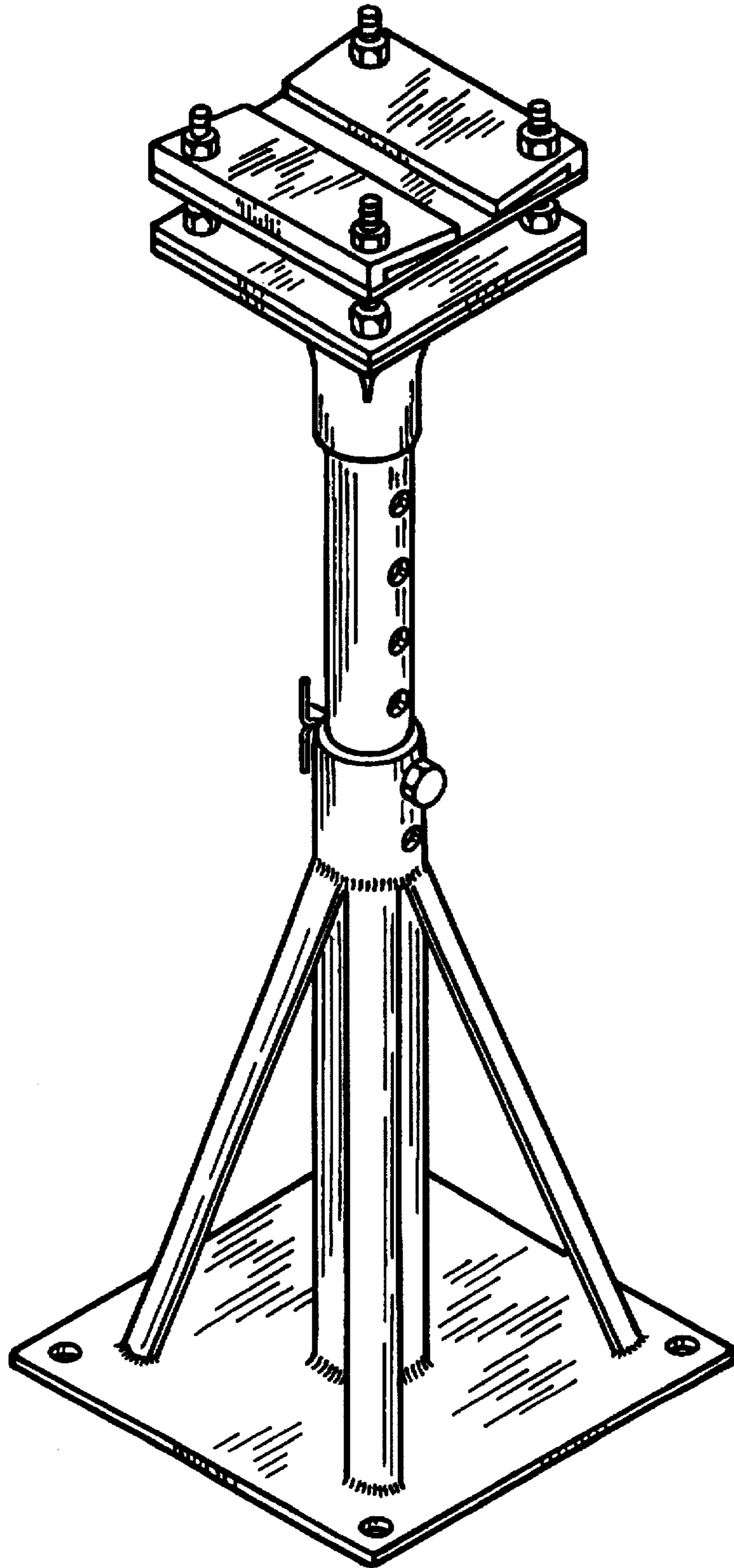
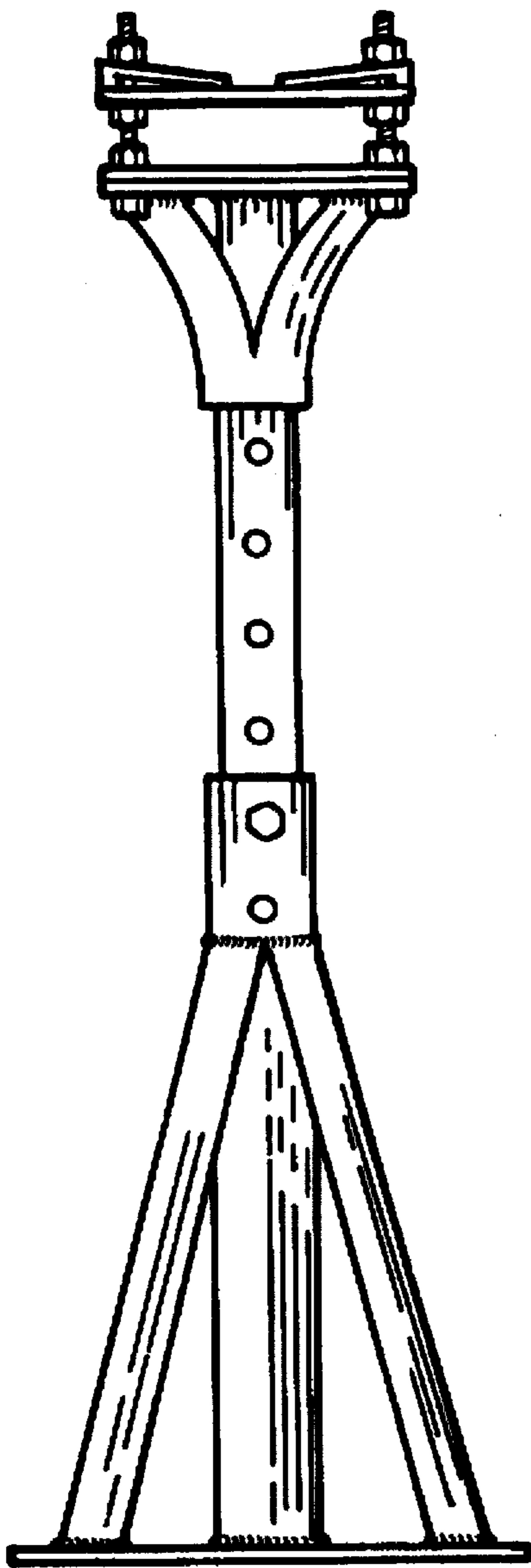
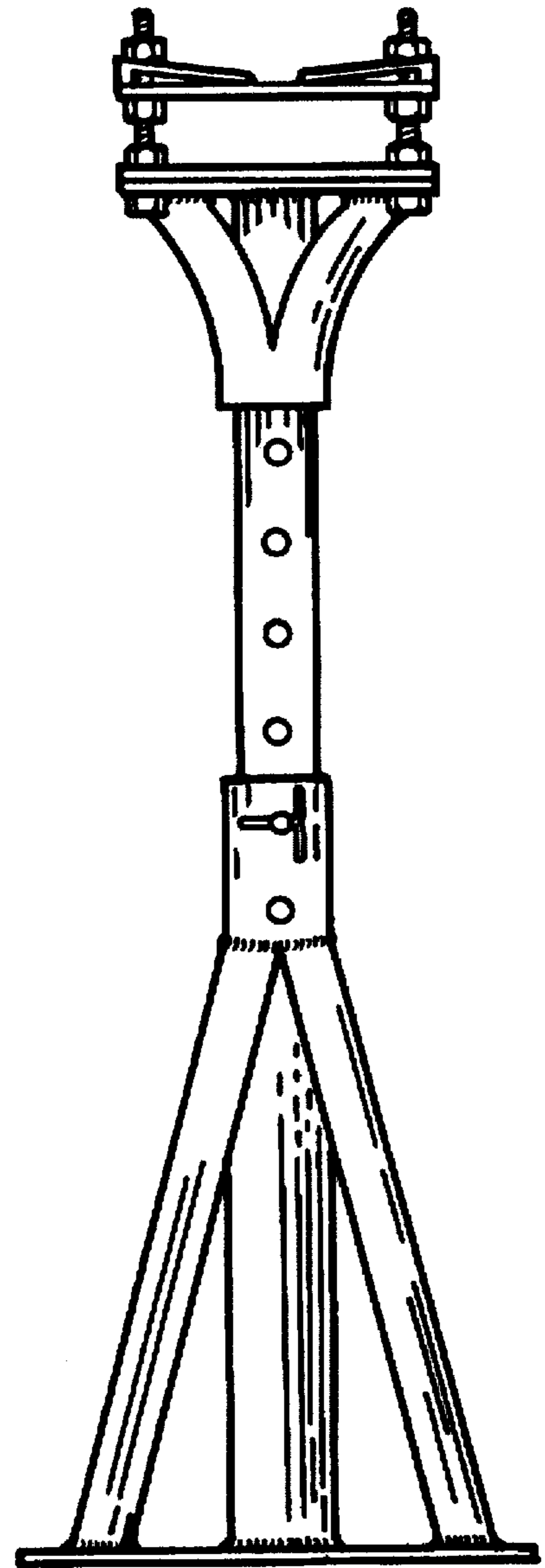


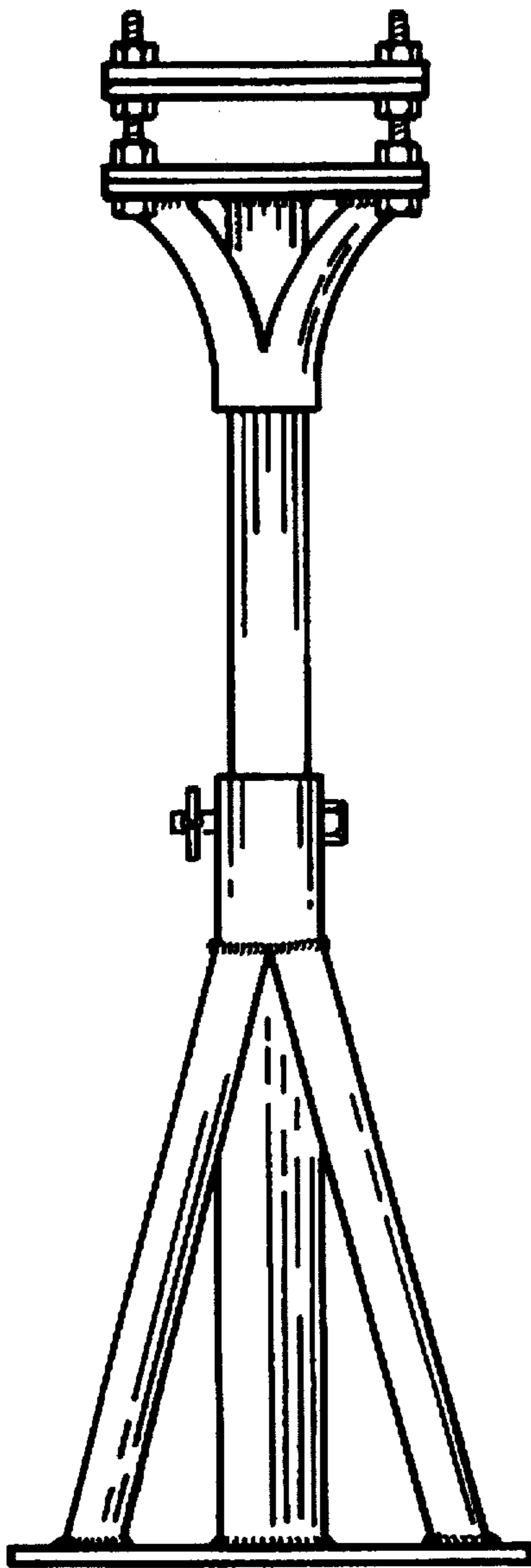
Fig. 1



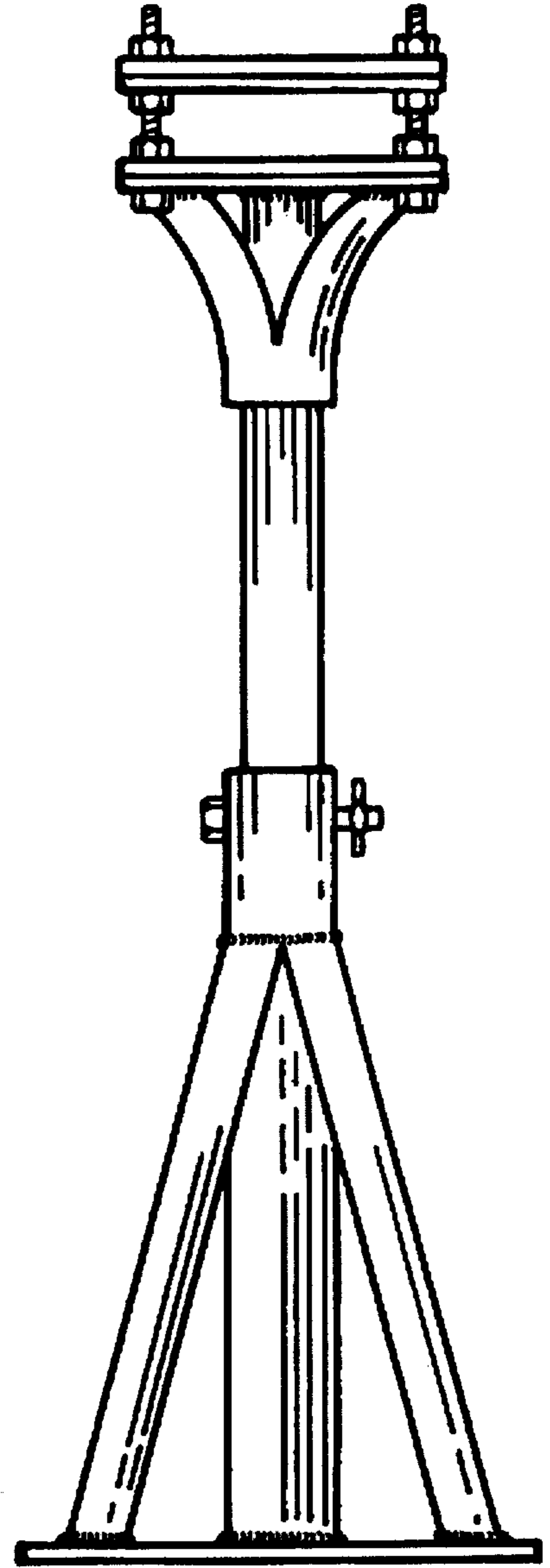
**Fig. 2**



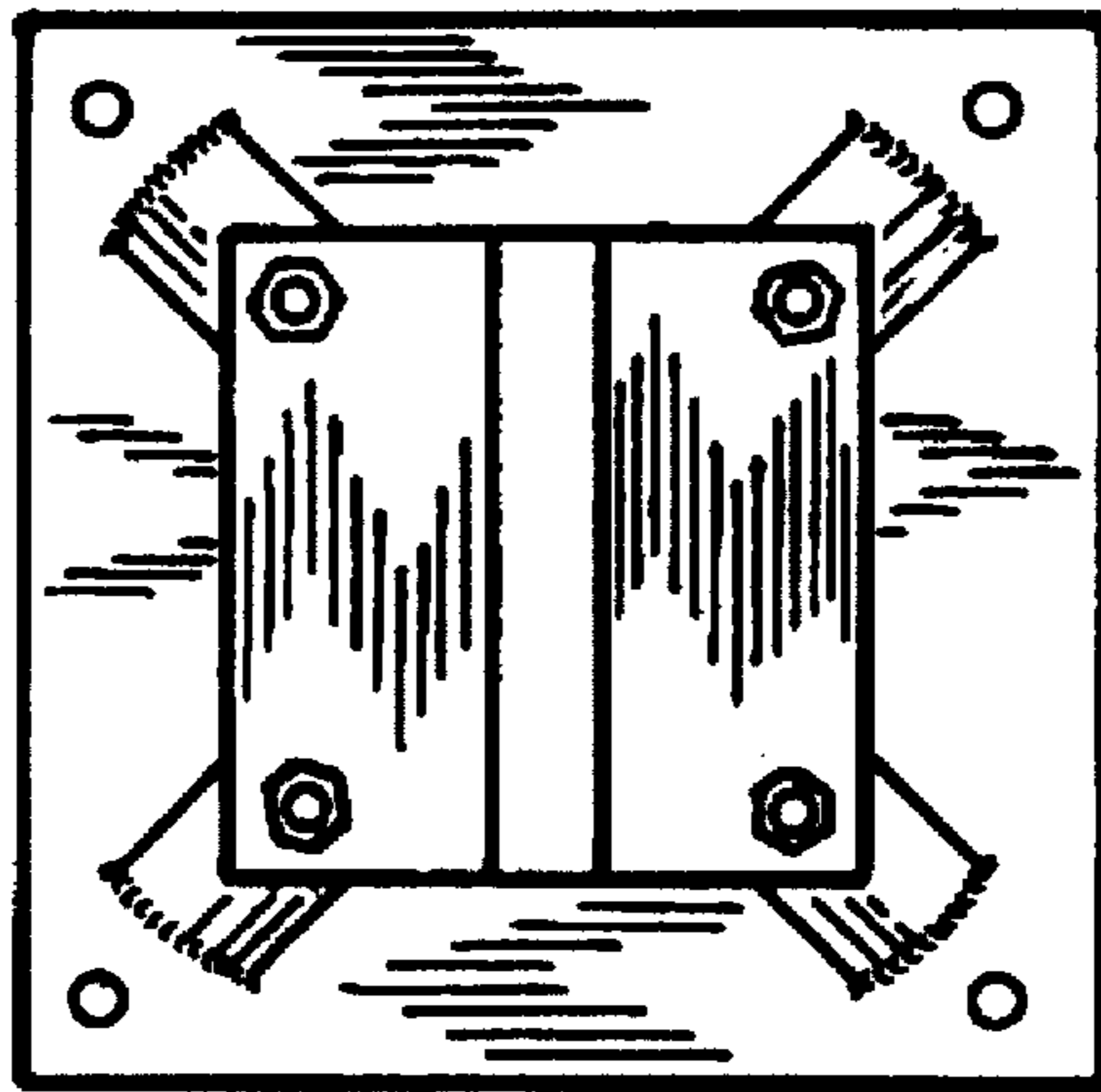
**Fig. 3**



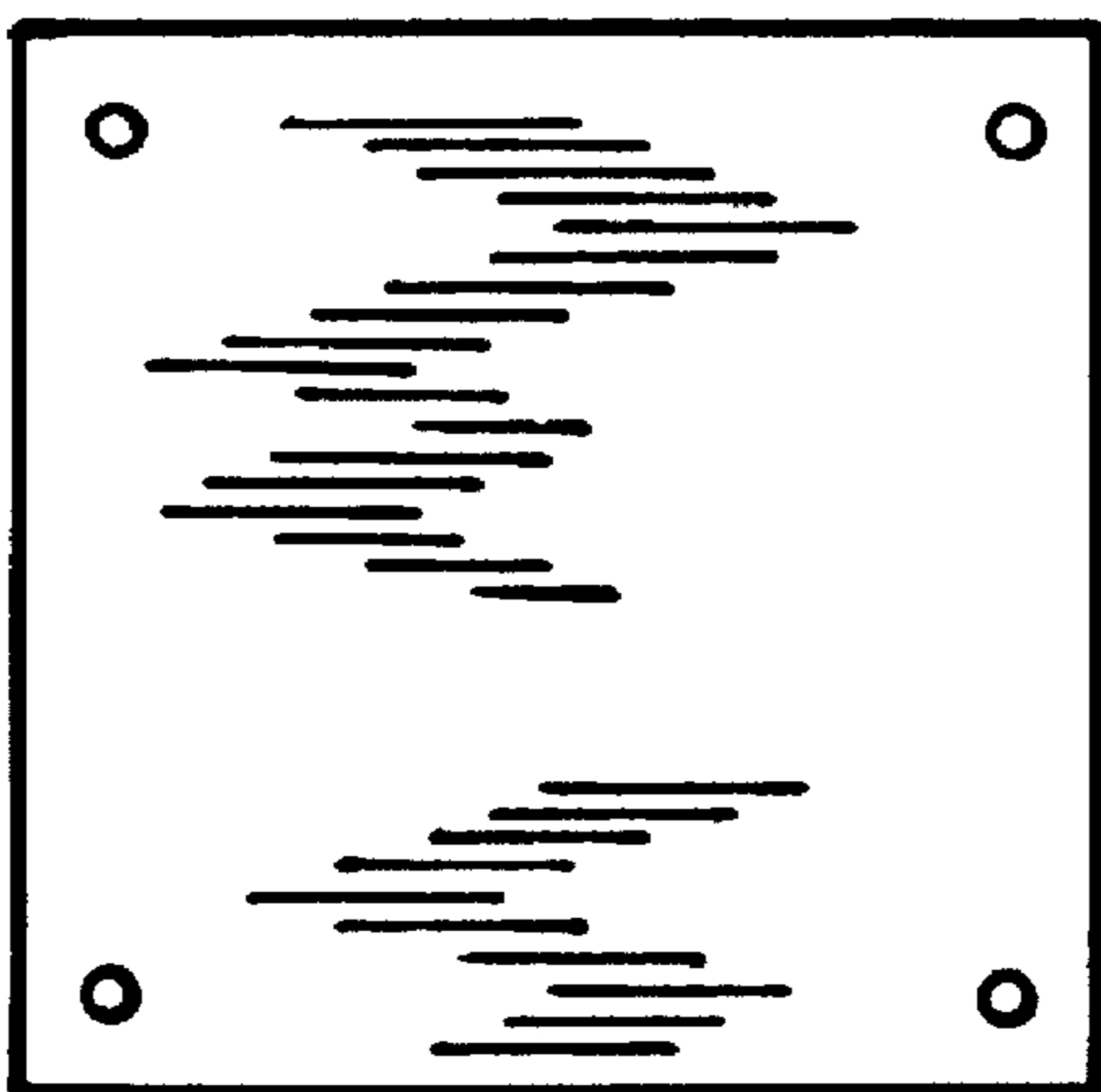
**Fig. 4**



**Fig. 5**



**Fig. 6**



**Fig. 7**