



US00D384476S

# United States Patent [19]

Rick et al.

[11] Patent Number: **Des. 384,476**

[45] Date of Patent: **\*\*Sep. 30, 1997**

[54] **FORKLIFT**

[75] Inventors: **Sean E. Rick**, Muscatine, Iowa; **Jay B. Stotts**, Houston, Tex.

[73] Assignee: **Mitsubishi Caterpillar Forklift America Inc.**, Houston, Tex.

[\*\*] Term: **14 Years**

[21] Appl. No.: **40,300**

[22] Filed: **Jun. 1, 1995**

[51] LOC (6) Cl. .... **12-05**

[52] U.S. Cl. .... **D34/34**

[58] Field of Search ..... **D34/28, 34, 37;**  
180/89.12, 89.13, 89.17; 187/222; 414/572,  
592, 785

D. 272,956 3/1984 Kirby et al. .... D34/37  
D. 327,356 6/1992 Laatsch ..... D34/34  
D. 353,931 12/1994 Kobayakawa ..... D34/34

*Primary Examiner*—A. Hugo Word  
*Assistant Examiner*—Robin V. Taylor  
*Attorney, Agent, or Firm*—Fish & Richardson P.C.

## [57] CLAIM

The ornamental design for a forklift, as shown as described.

## DESCRIPTION

FIG. 1 is a front perspective view of the design according to the invention;

FIG. 2 is a rear perspective view of the design according to the invention; and,

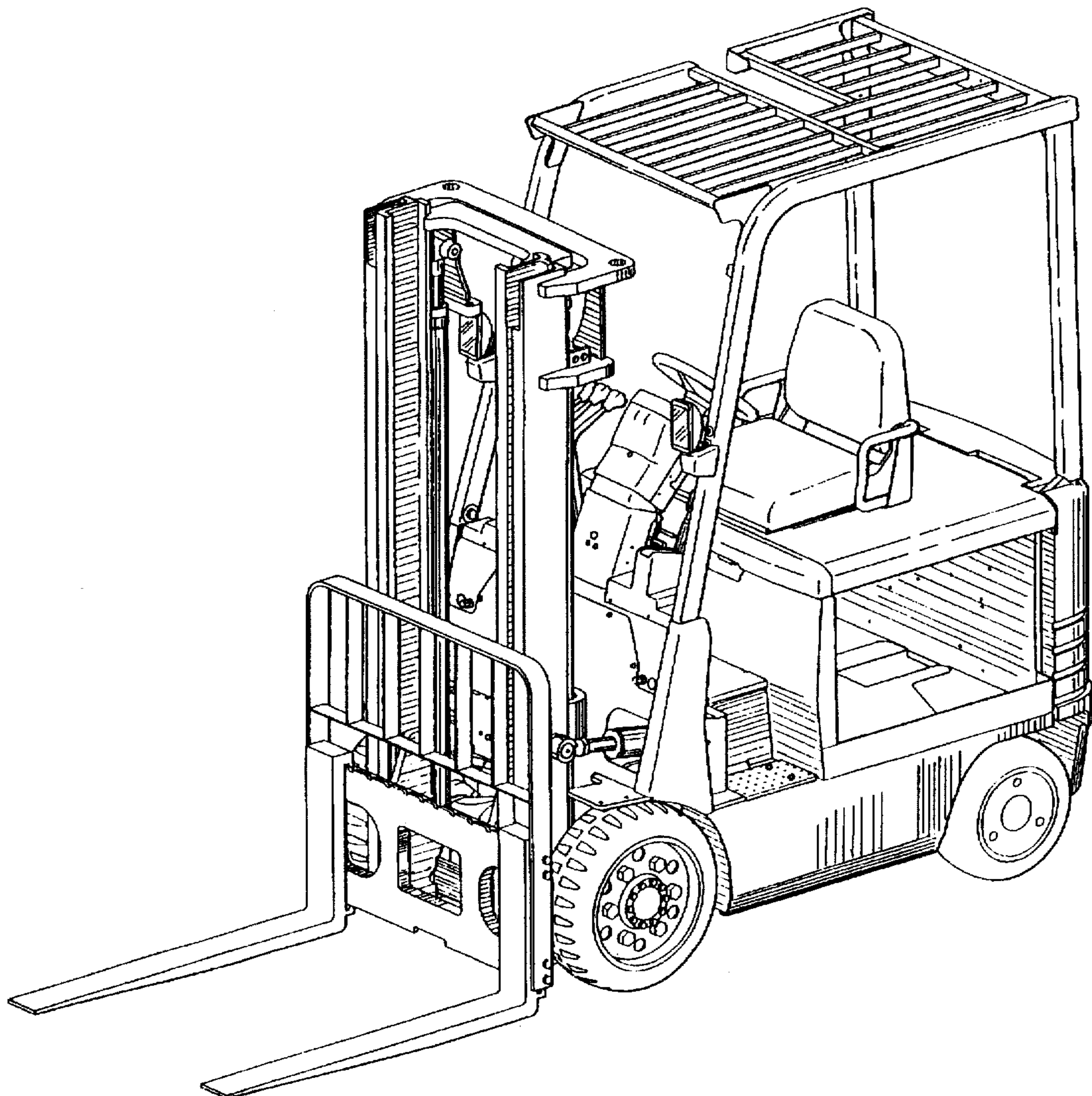
FIG. 3 is a top view of the design according to the invention.

## [56] References Cited

### U.S. PATENT DOCUMENTS

D. 231,340 4/1974 Haynes ..... D34/34

**1 Claim, 3 Drawing Sheets**



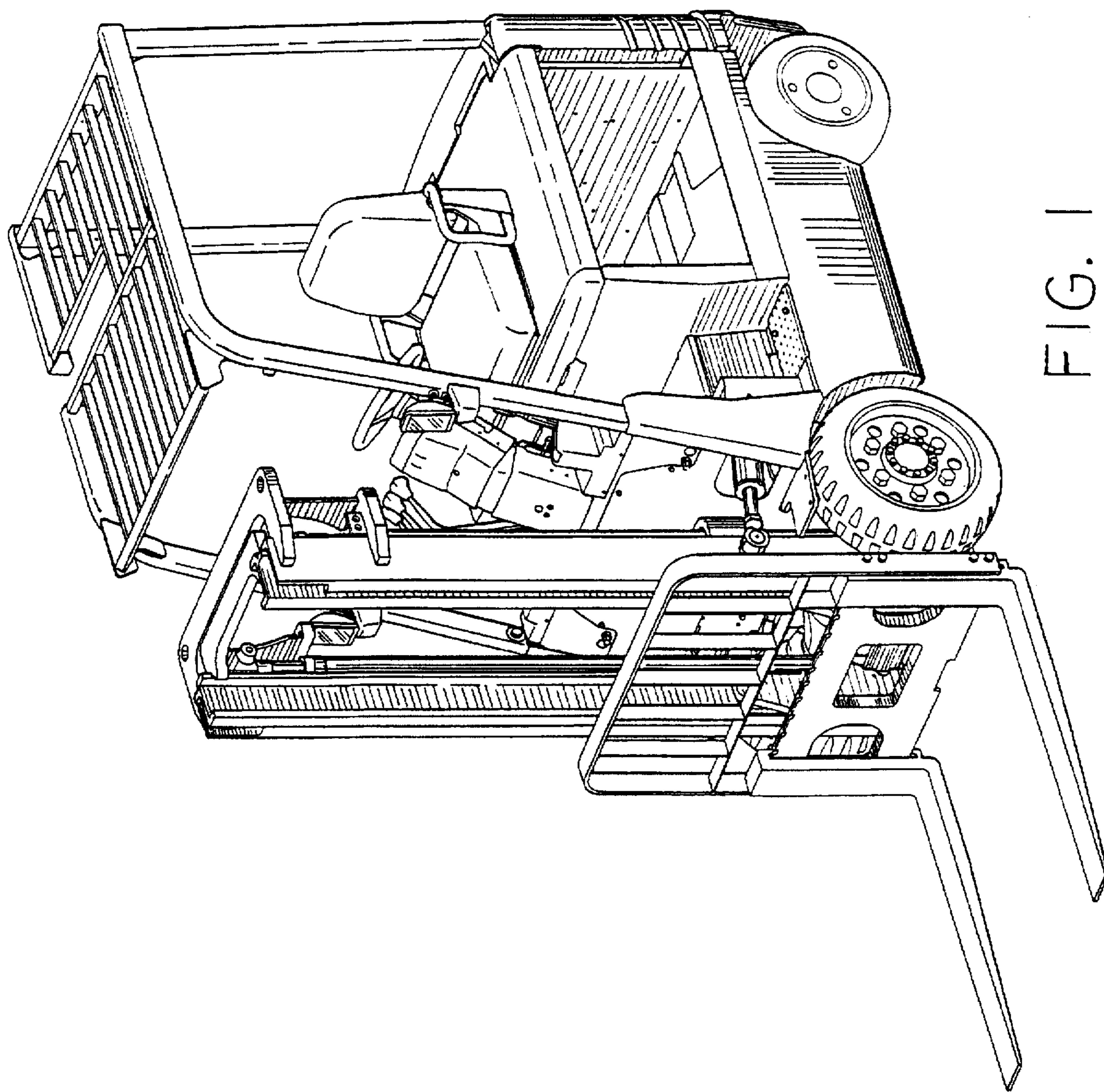


FIG. 1

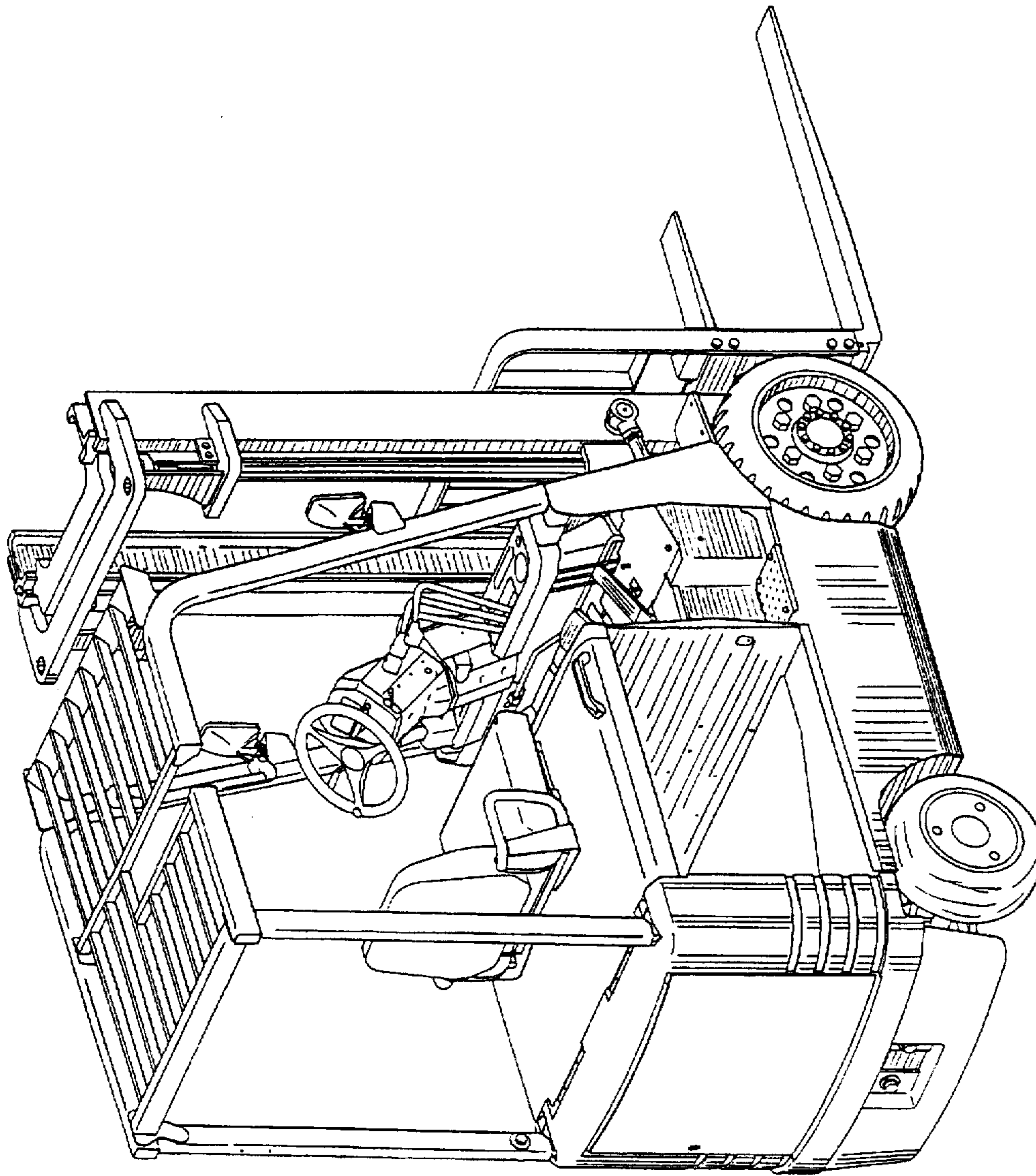


FIG. 2

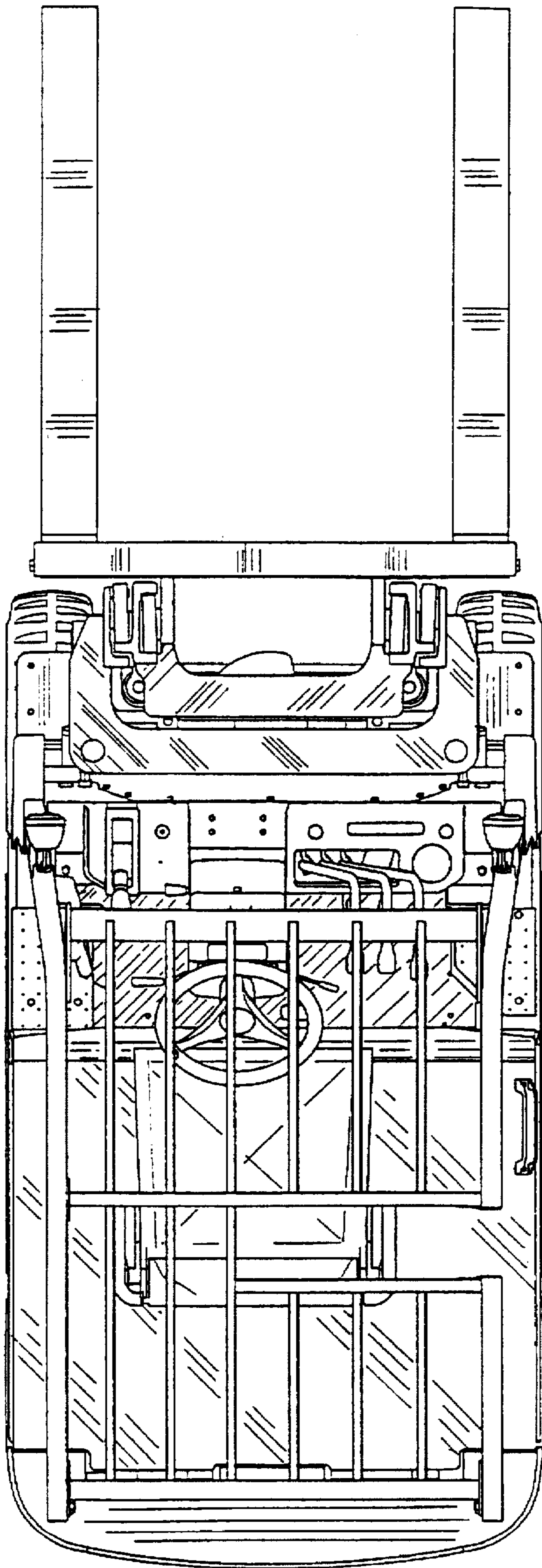


FIG. 3