



US00D384472S

# United States Patent [19]

[11] Patent Number: Des. 384,472

Lujan

[45] Date of Patent: \*\*Sep. 30, 1997

## [54] PNEUMATIC JACK UNIT

[76] Inventor: **Frank P. Lujan**, 1001 Essex Dr., Cedar Hill, Tex. 75104

[\*\*] Term: 14 Years

[21] Appl. No.: 45,788

[22] Filed: Oct. 30, 1995

[51] LOC (6) Cl. .... 12-05

[52] U.S. Cl. .... D34/31

[58] Field of Search ..... D34/28, 31, 33;  
254/1, 813, 120, 124, 126, 133, 134

## [56] References Cited

### U.S. PATENT DOCUMENTS

1,107,833	8/1914	Parker	.....	D34/31
1,527,542	2/1925	Earhart	.....	254/1
3,784,160	1/1974	Phillips	.....	D34/31
4,750,712	6/1988	Genovese	.....	254/124
4,776,569	10/1988	Nestel-Eichausen	.....	254/133 R
5,193,784	3/1993	Obernberger	.....	254/126

Primary Examiner—A. Hugo Word  
Assistant Examiner—Robin V. Taylor

Attorney, Agent, or Firm—Harold H. Dutton, Jr.; W. Charles L. Jamison; Diane F. Liebman

## [57] CLAIM

The ornamental design for a pneumatic jack unit, as shown and described.

## DESCRIPTION

FIG. 1 is a perspective view of a pneumatic jack unit showing my new design;  
 FIG. 2 is a left side view of the jack portion thereof;  
 FIG. 3 is a right side view thereof;  
 FIG. 4 is a front view thereof;  
 FIG. 5 is a rear view thereof;  
 FIG. 6 is a top view thereof;  
 FIG. 7 is a bottom view thereof;  
 FIG. 8 is a right side view of the control portion;  
 The left side is a mirror image of the right side;  
 FIG. 9 is a front view thereof;  
 FIG. 10 is a rear view thereof;  
 FIG. 11 is a top view thereof; and,  
 The bottom view is a mirror image of the top view.  
 The arm of the jack is shown fragmented for ease of illustration.

1 Claim, 5 Drawing Sheets

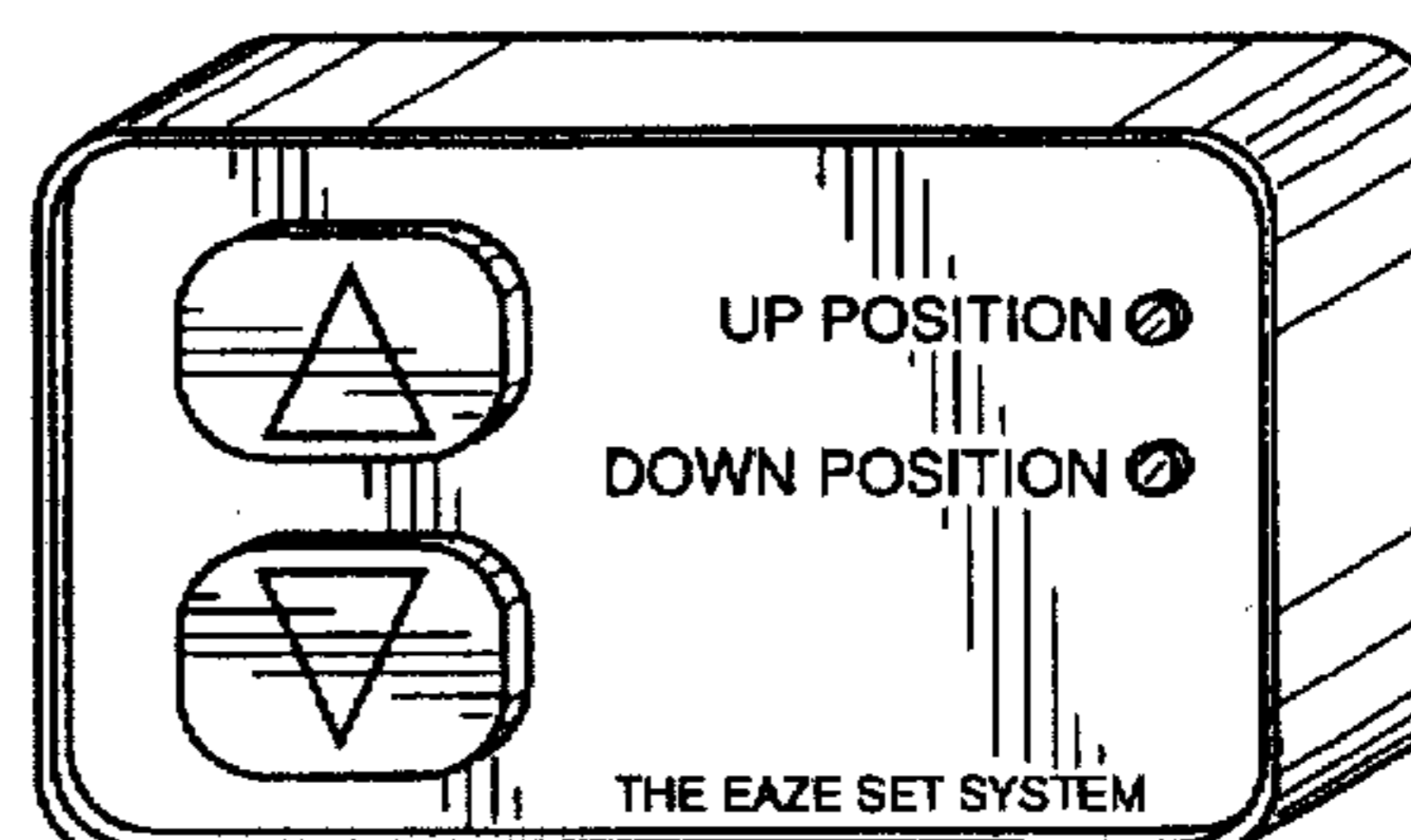
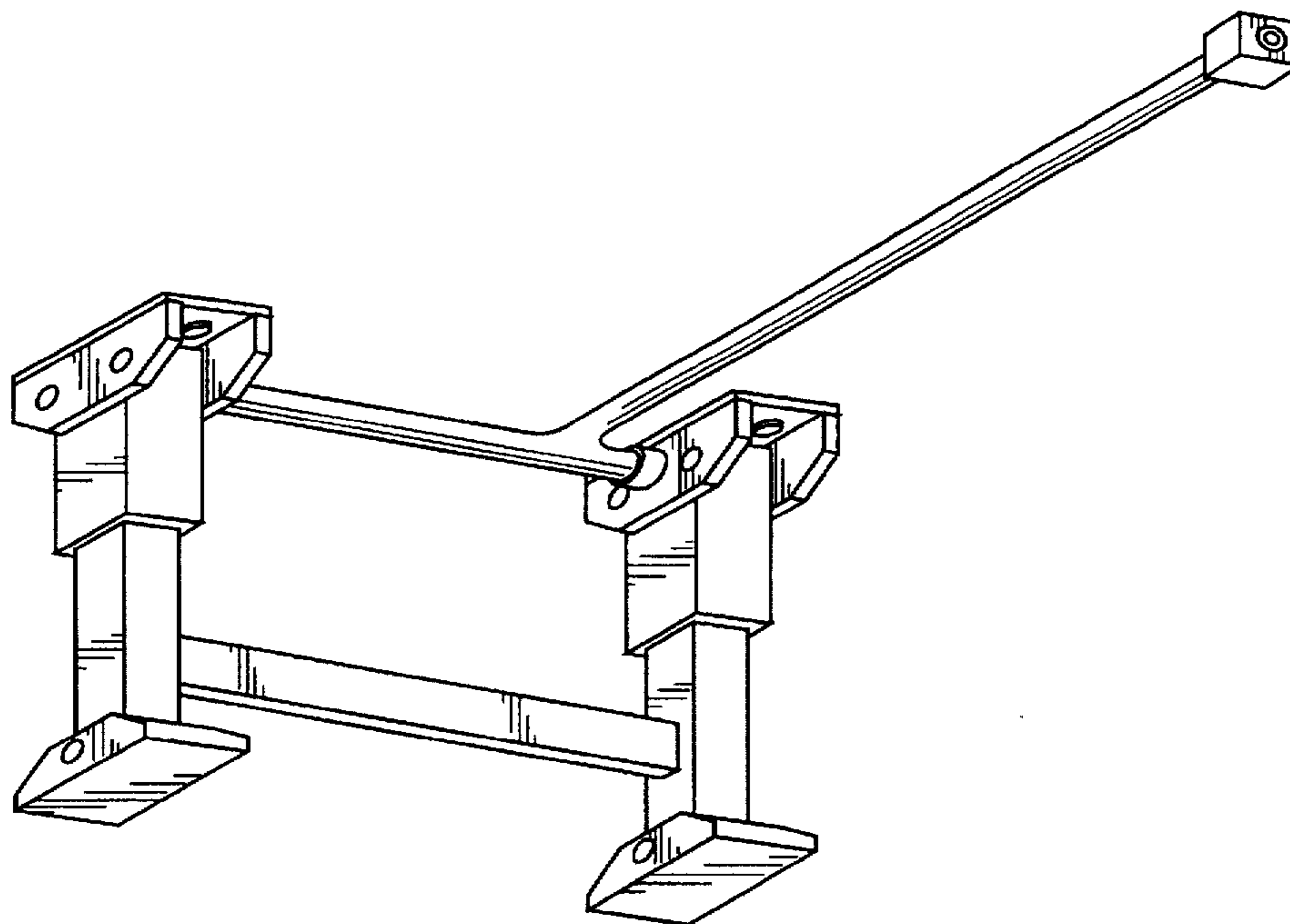
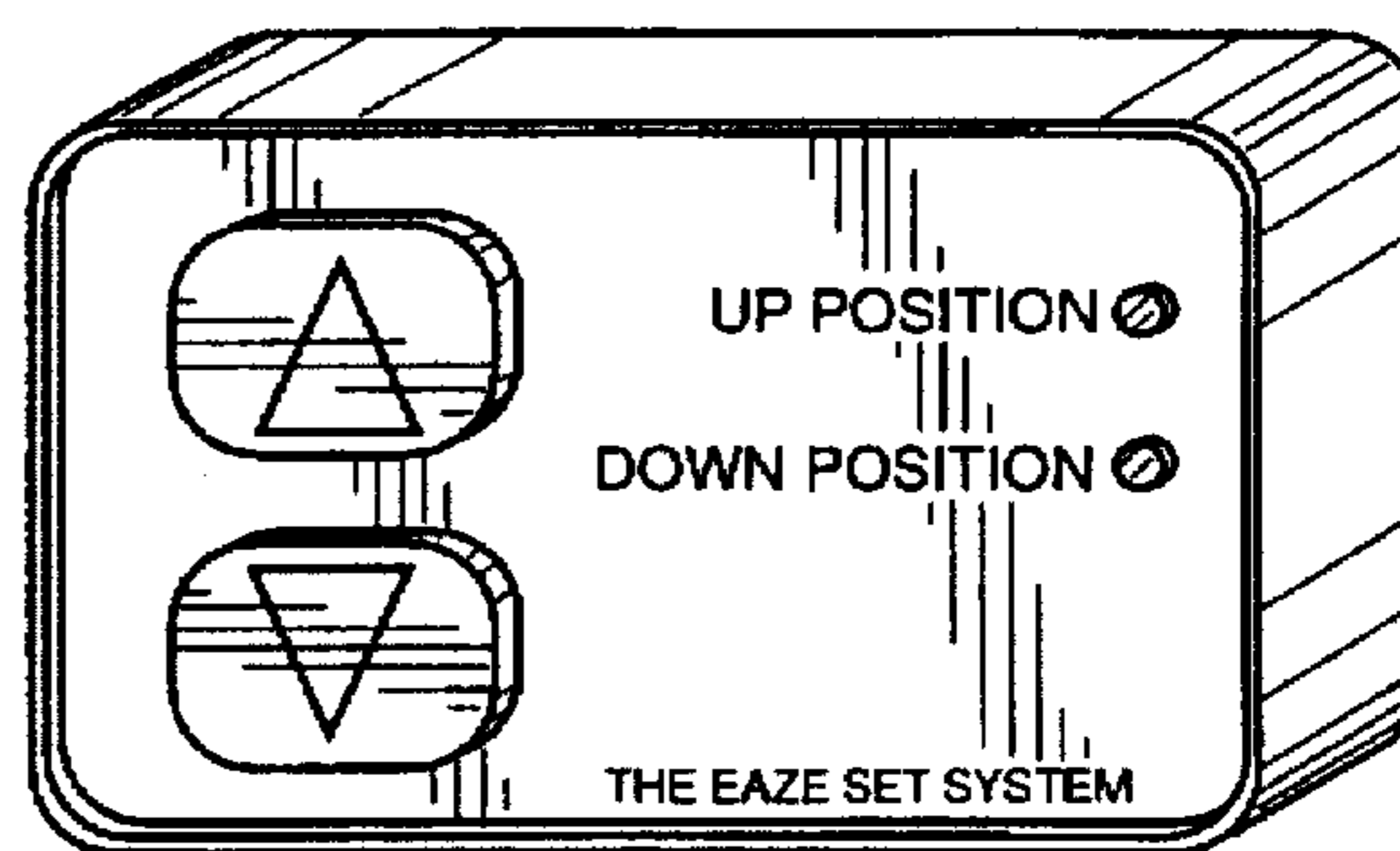
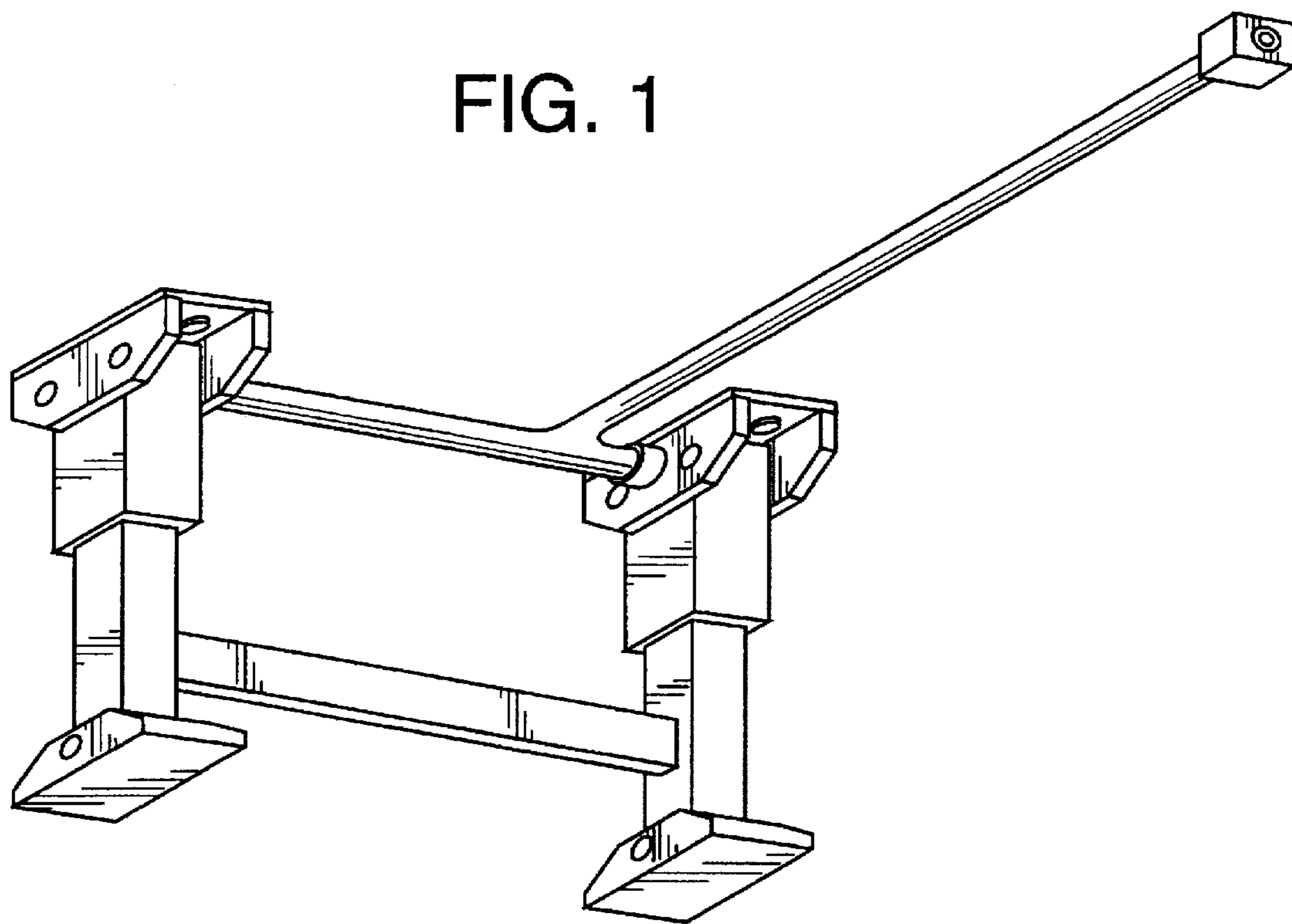


FIG. 1



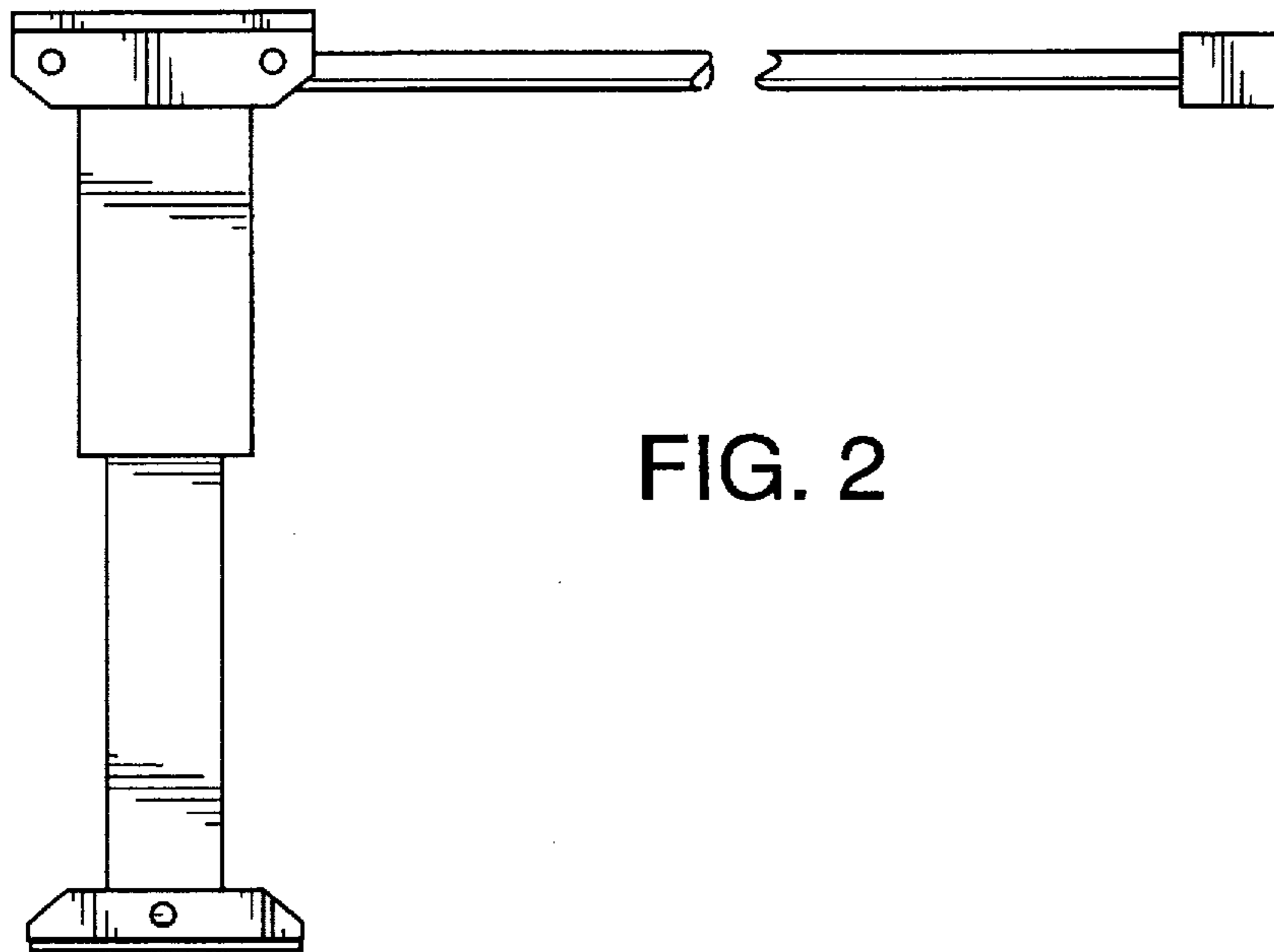


FIG. 2

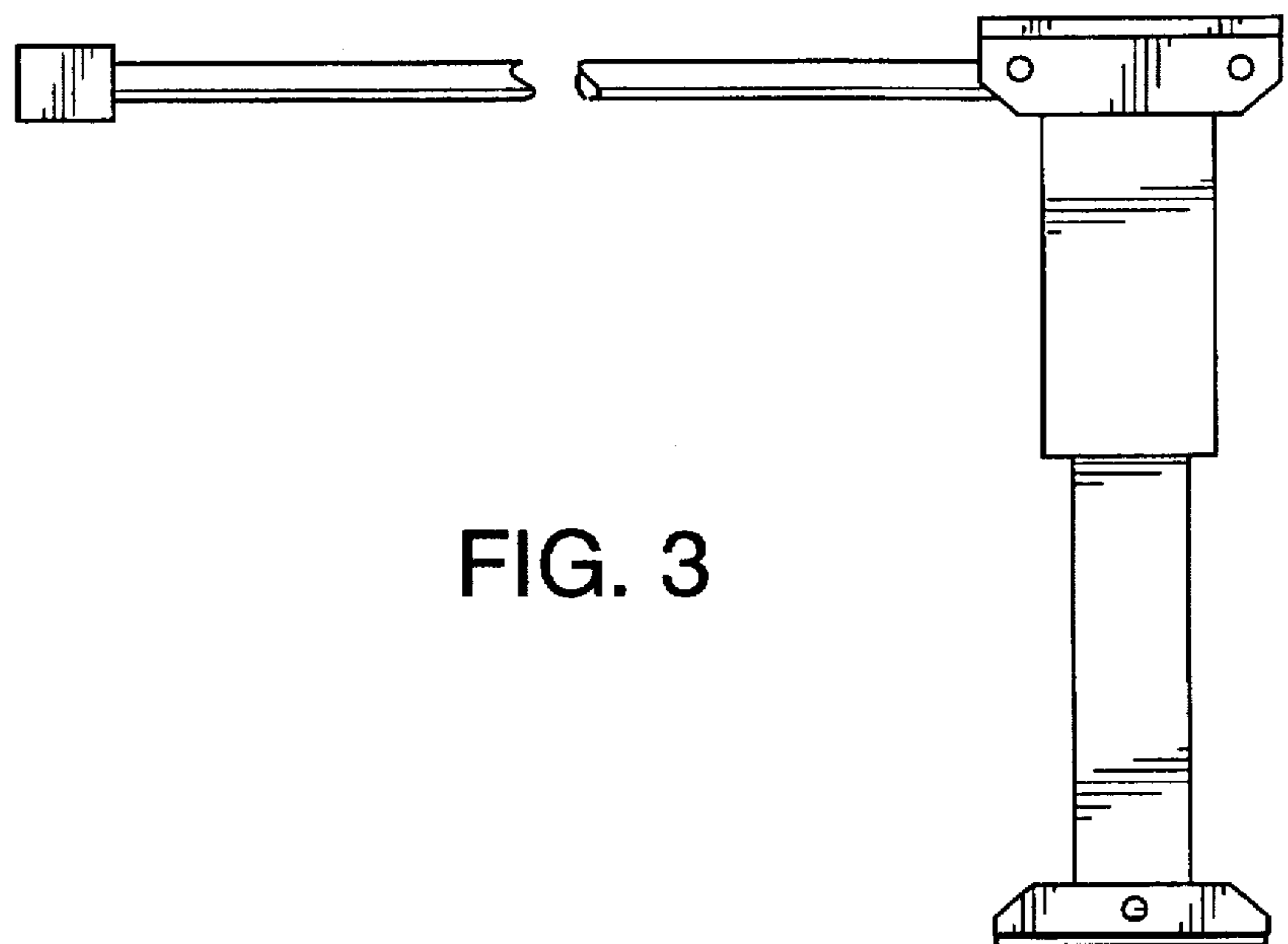


FIG. 3

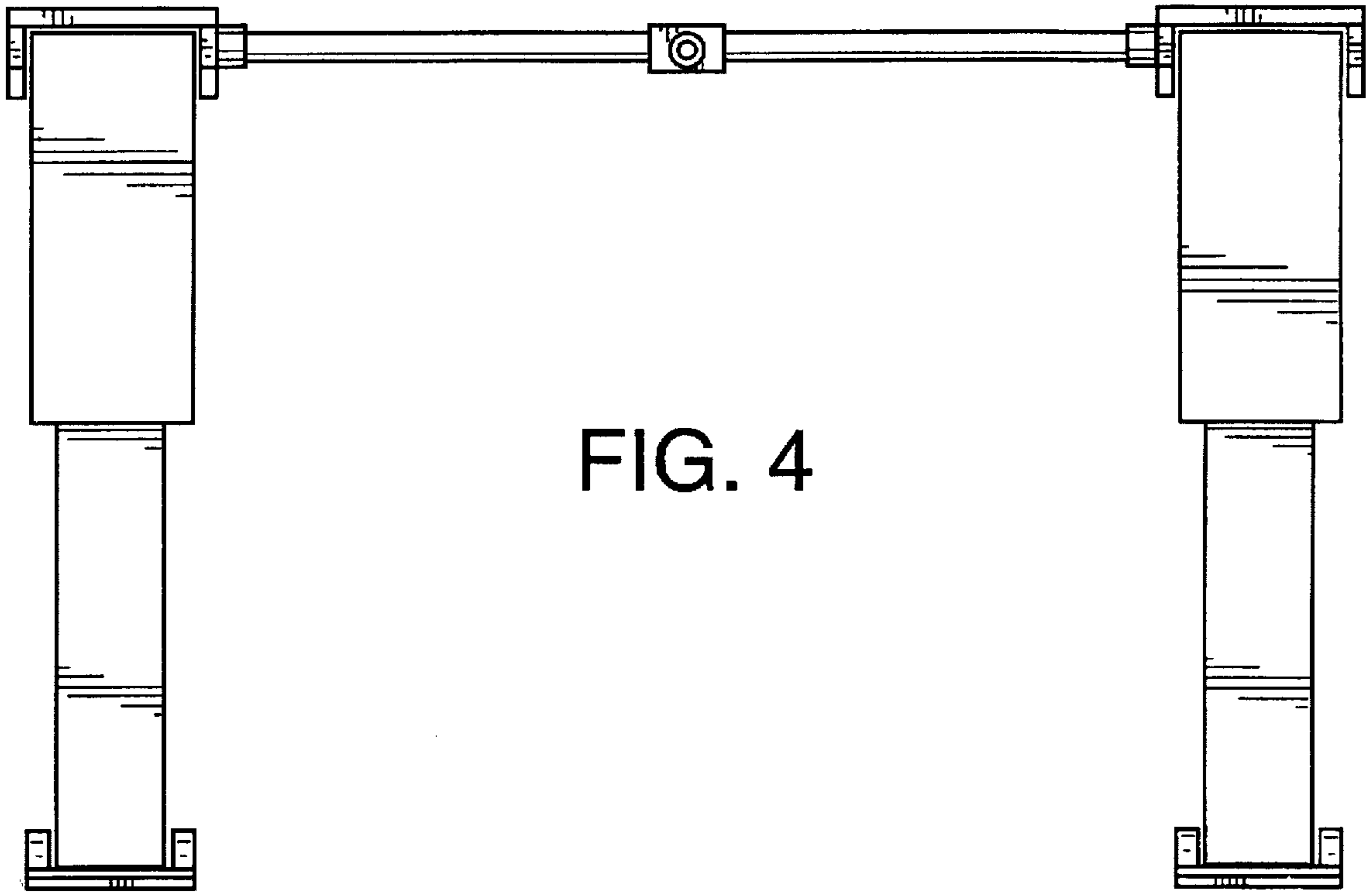


FIG. 4

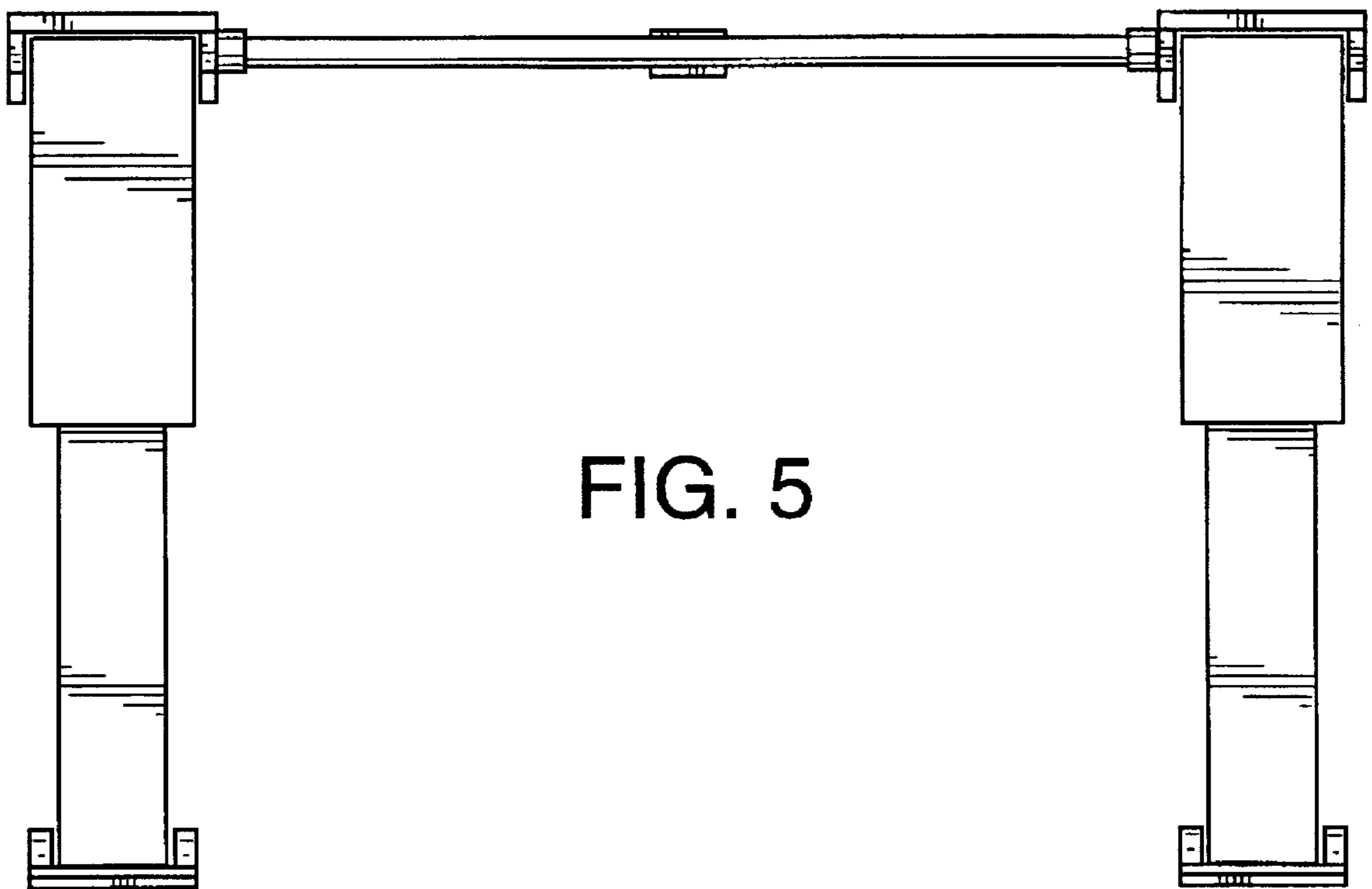


FIG. 5

FIG. 6

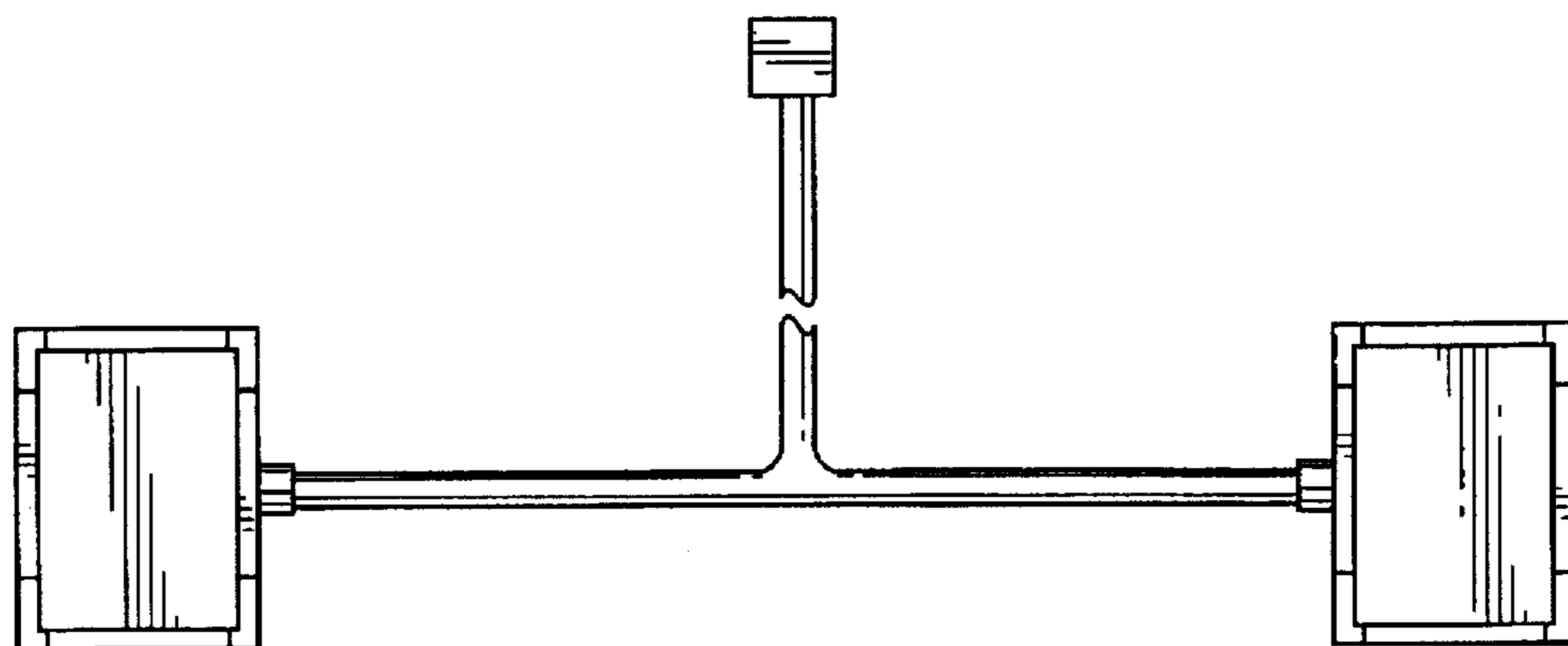
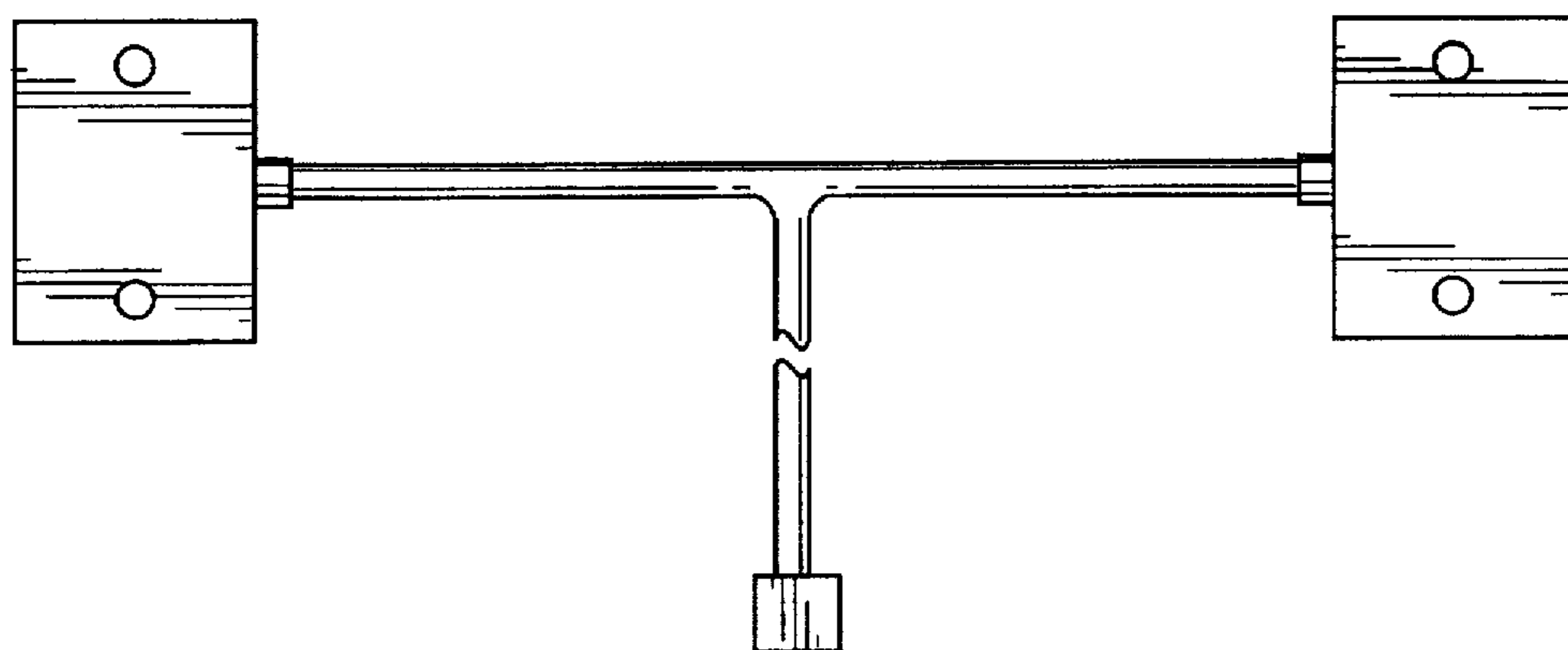


FIG. 7

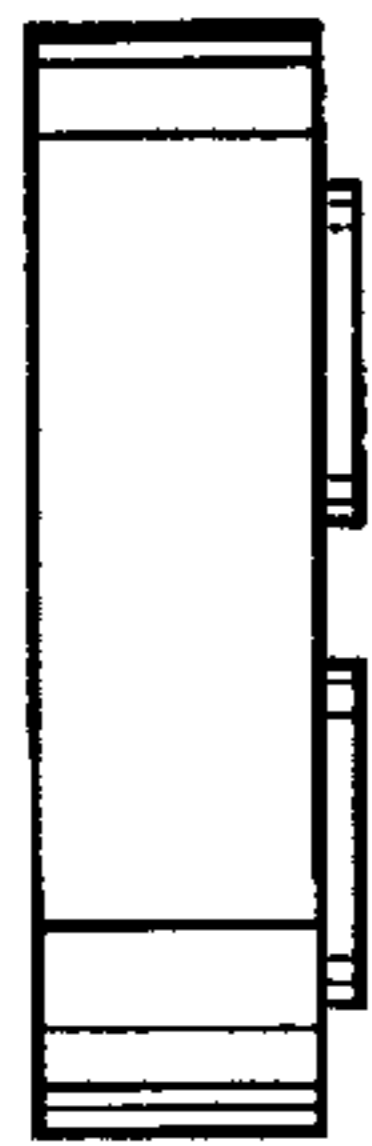


FIG. 8

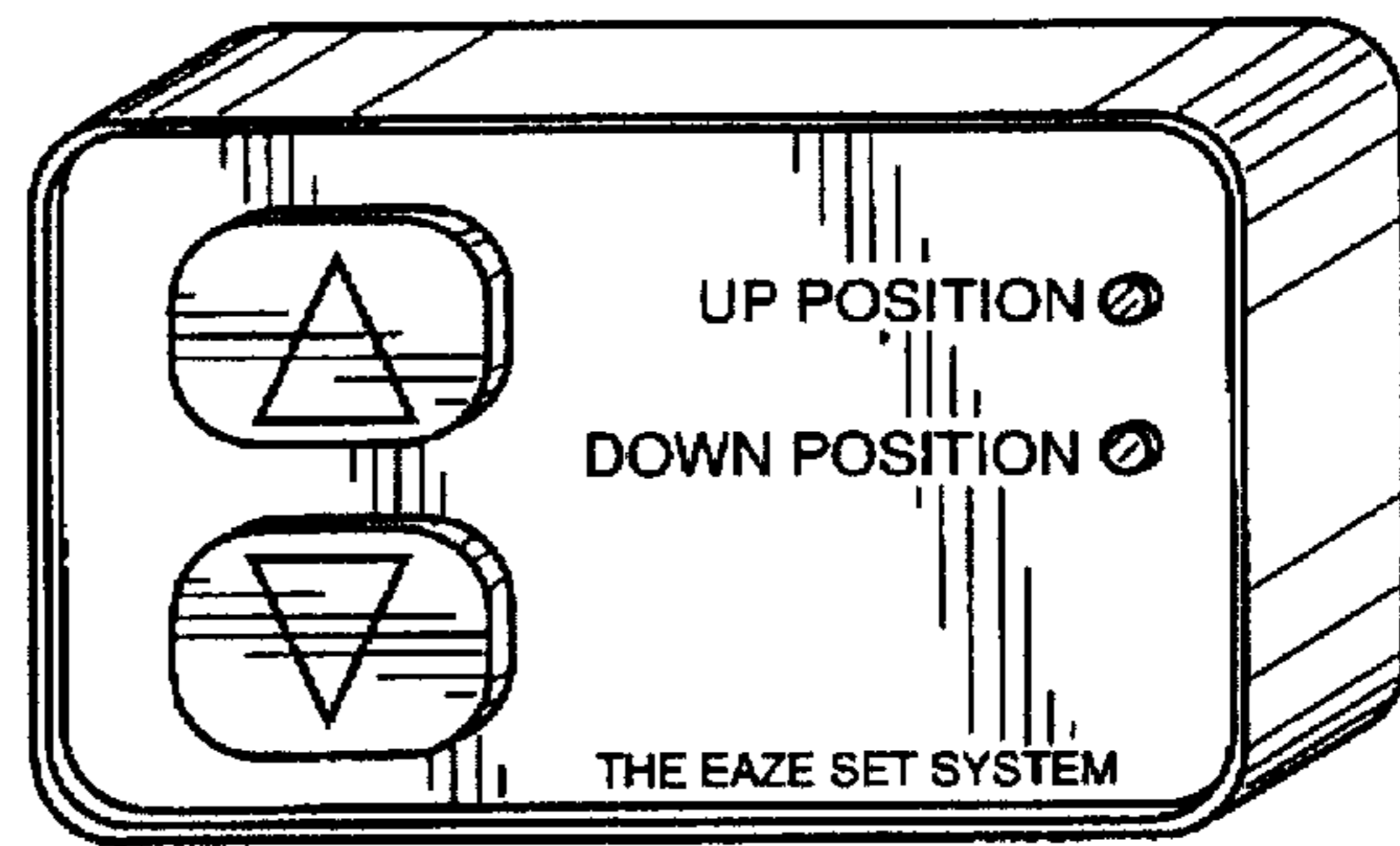


FIG. 9

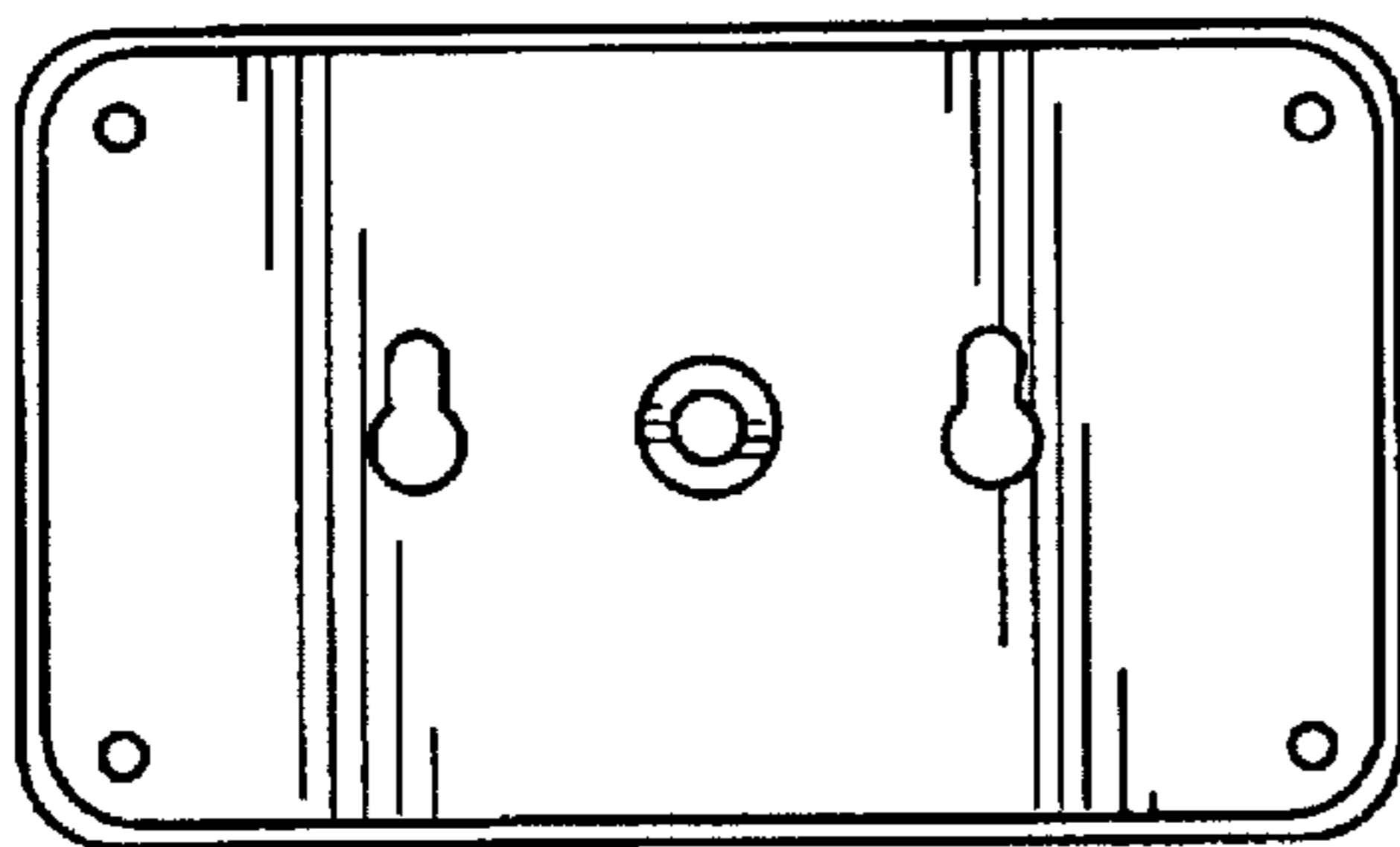


FIG. 10

FIG. 11

