



US00D384469S

# United States Patent [19]

De Deyne

[11] Patent Number: **Des. 384,469**

[45] Date of Patent: **\*\*Sep. 30, 1997**

[54] **PORTABLE LIFTING AID FOR THE HANDICAPPED**

5,257,425 11/1993 Shinabarger ..... 5/81.1  
5,347,666 9/1994 Kippes ..... D12/130  
5,461,736 10/1995 Carpenter et al. .... 5/81.1

[76] Inventor: **Gustave De Deyne**, Box 7259 Diamond Head, Hot Springs, Ark. 71913

*Primary Examiner*—A. Hugo Word  
*Assistant Examiner*—Robin V. Taylor  
*Attorney, Agent, or Firm*—Stephen D. Carver; Trent C. Keisling

[\*\*] Term: **14 Years**

[21] Appl. No.: **51,118**

[57] **CLAIM**

[22] Filed: **Mar. 4, 1996**

The ornamental design for a portable lifting aid for the handicapped, as shown and described.

[51] LOC (6) Cl. .... **12-05**

[52] U.S. Cl. .... **D34/28**

[58] Field of Search ..... D34/28, 33; 414/921; 187/200; 5/81.1 R, 83.1, 84.1, 87.1, 88.1, 89.1; D24/190; D12/130

**DESCRIPTION**

FIG. 1 is a front isometric view of my portable lifting aid for the handicapped;  
FIG. 2 is a rear isometric view thereof;  
FIG. 3 is a side elevational view thereof, the opposite side being a mirror image;  
FIG. 4 is a front elevational view thereof;  
FIG. 5 is a rear elevational view thereof;  
FIG. 6 is a top plan view thereof; and,  
FIG. 7 is a bottom plan view.

[56] **References Cited**

**U.S. PATENT DOCUMENTS**

D. 186,506	11/1959	Rosenberg	.....	D34/28
D. 352,590	11/1994	Hodges	.....	D34/28
D. 355,293	2/1995	Parker	.....	D34/28
D. 364,024	11/1995	O'Keefe et al.	.....	D34/28
785,855	3/1905	Camp	.....	5/81.1

**1 Claim, 3 Drawing Sheets**

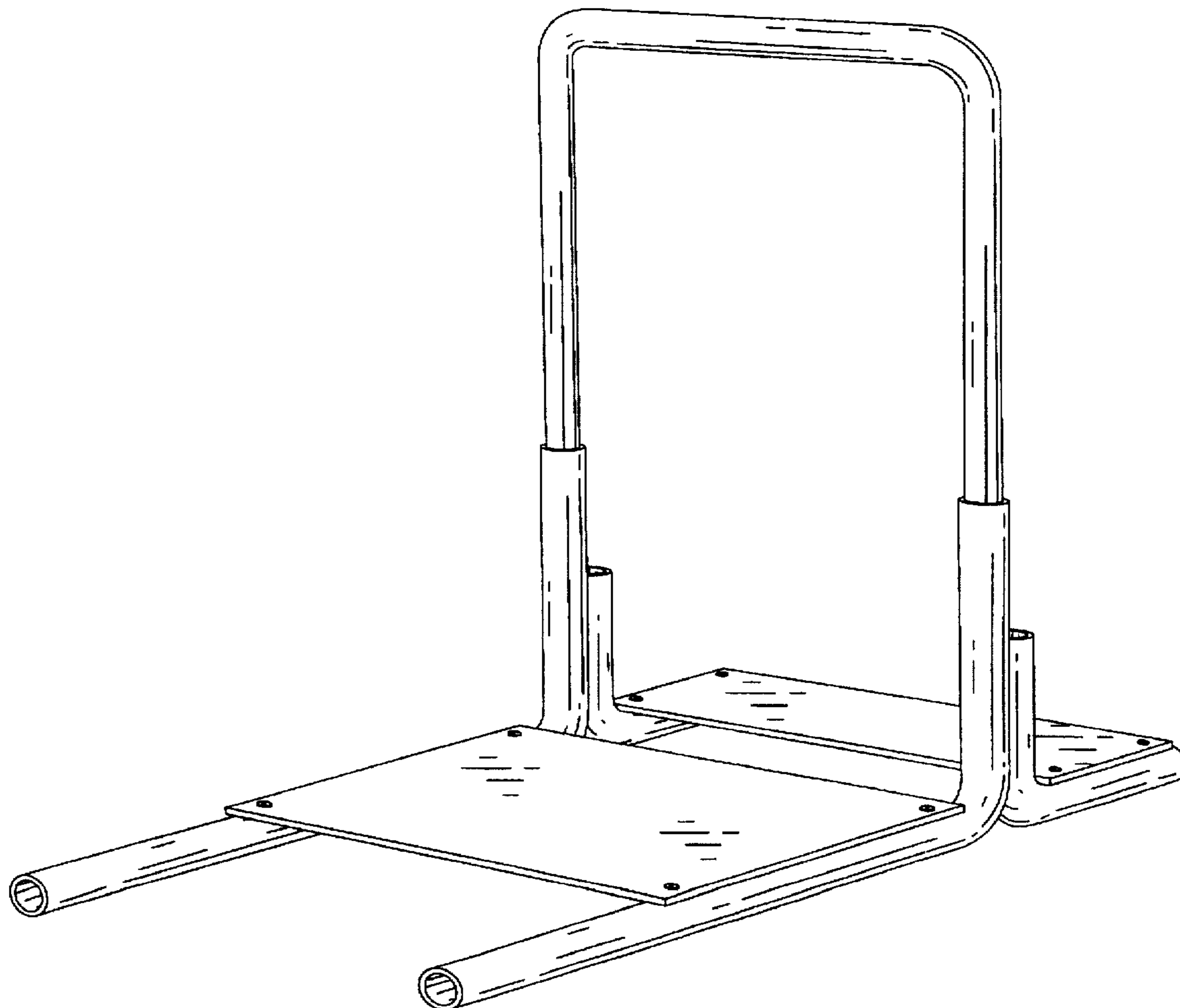


FIG. 1

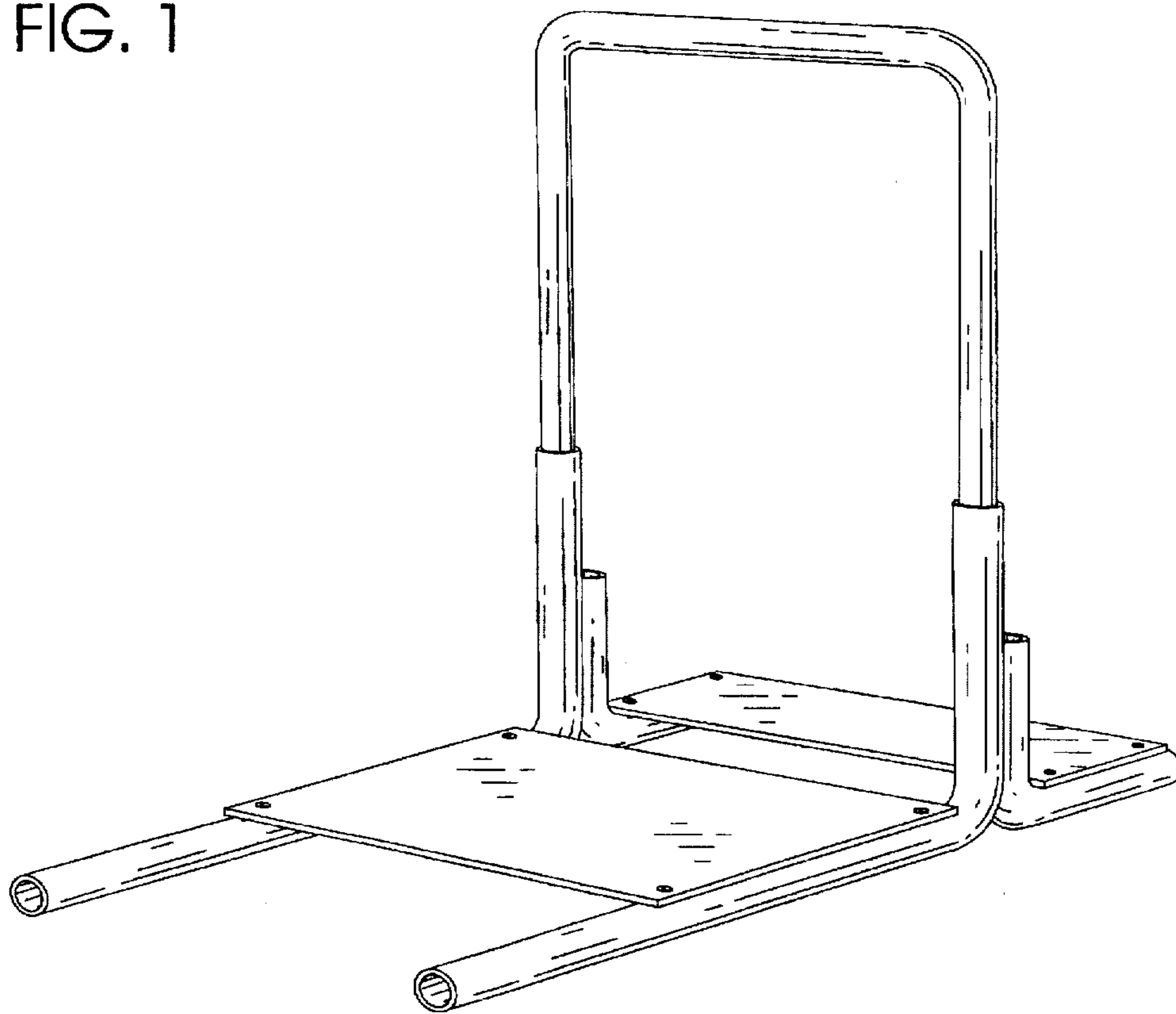


FIG. 2

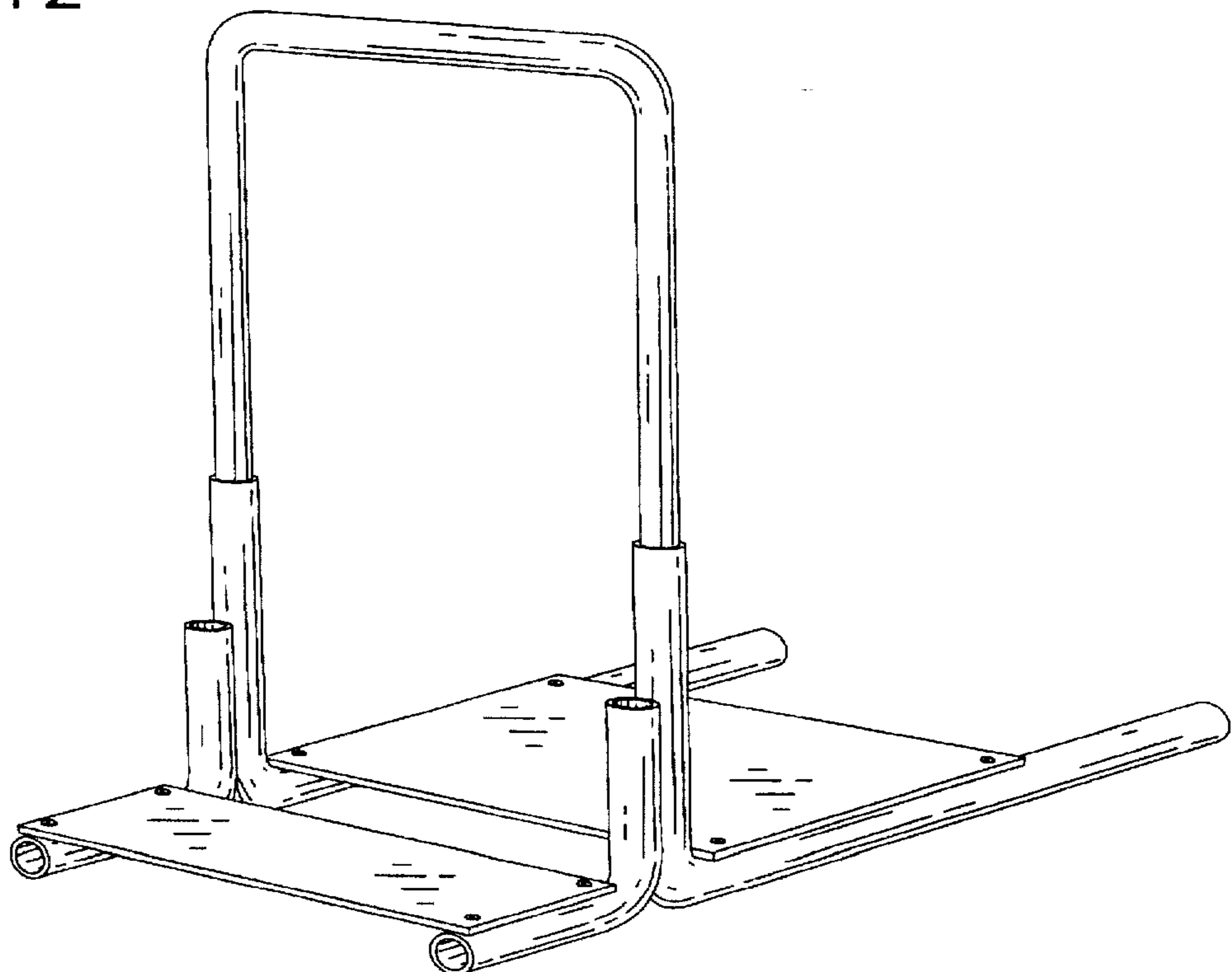


FIG. 3

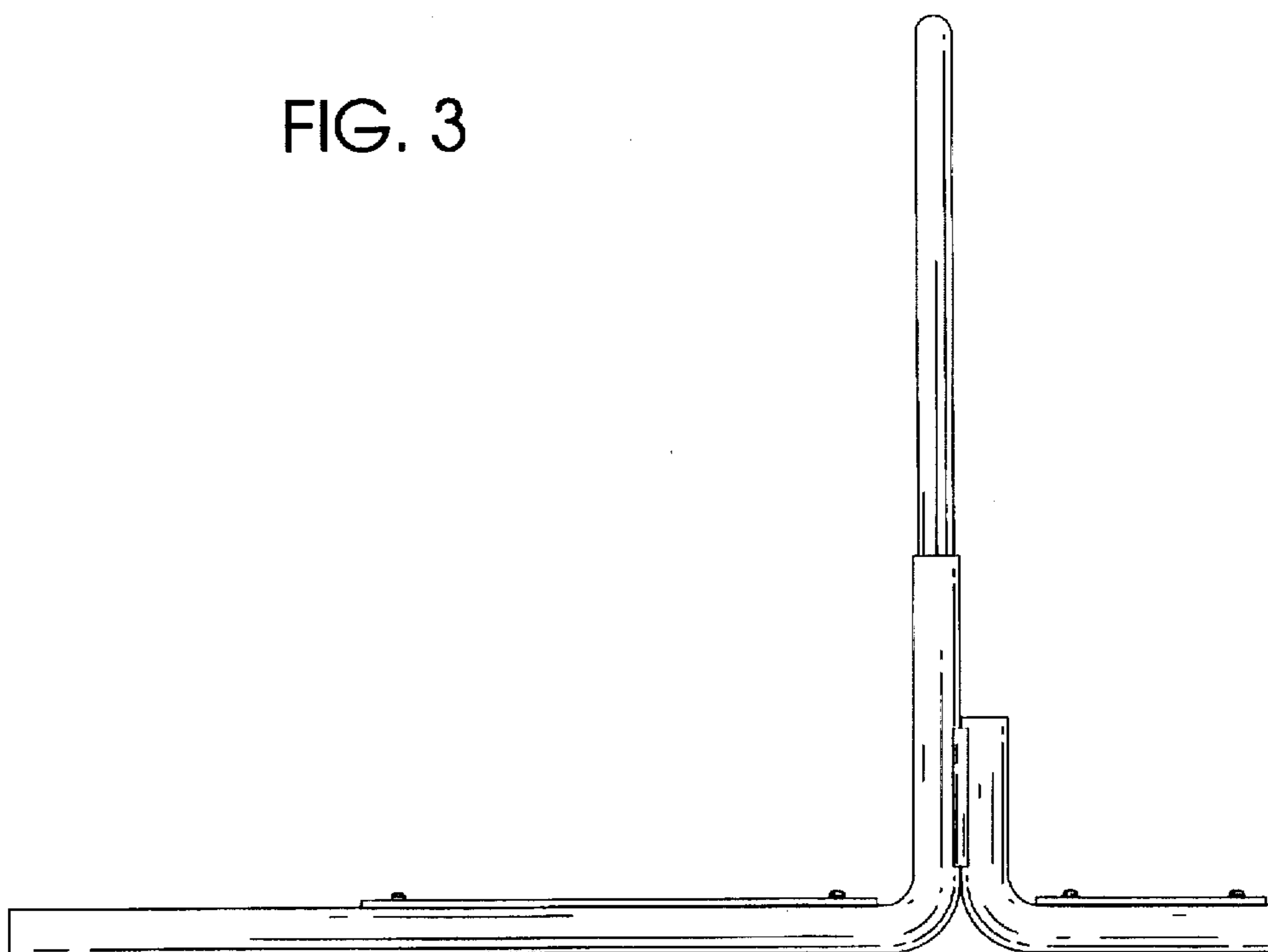


FIG. 4

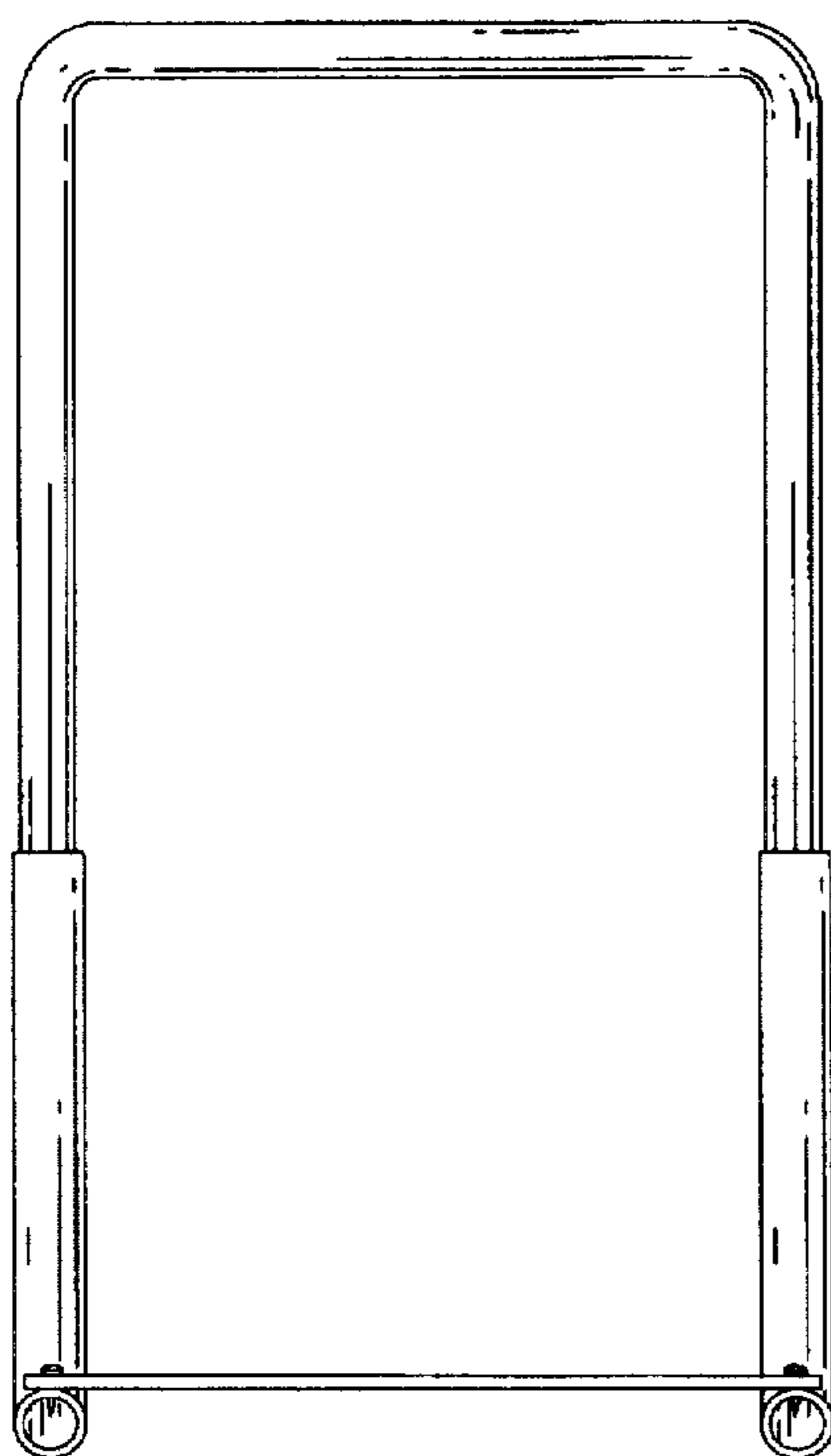


FIG. 5

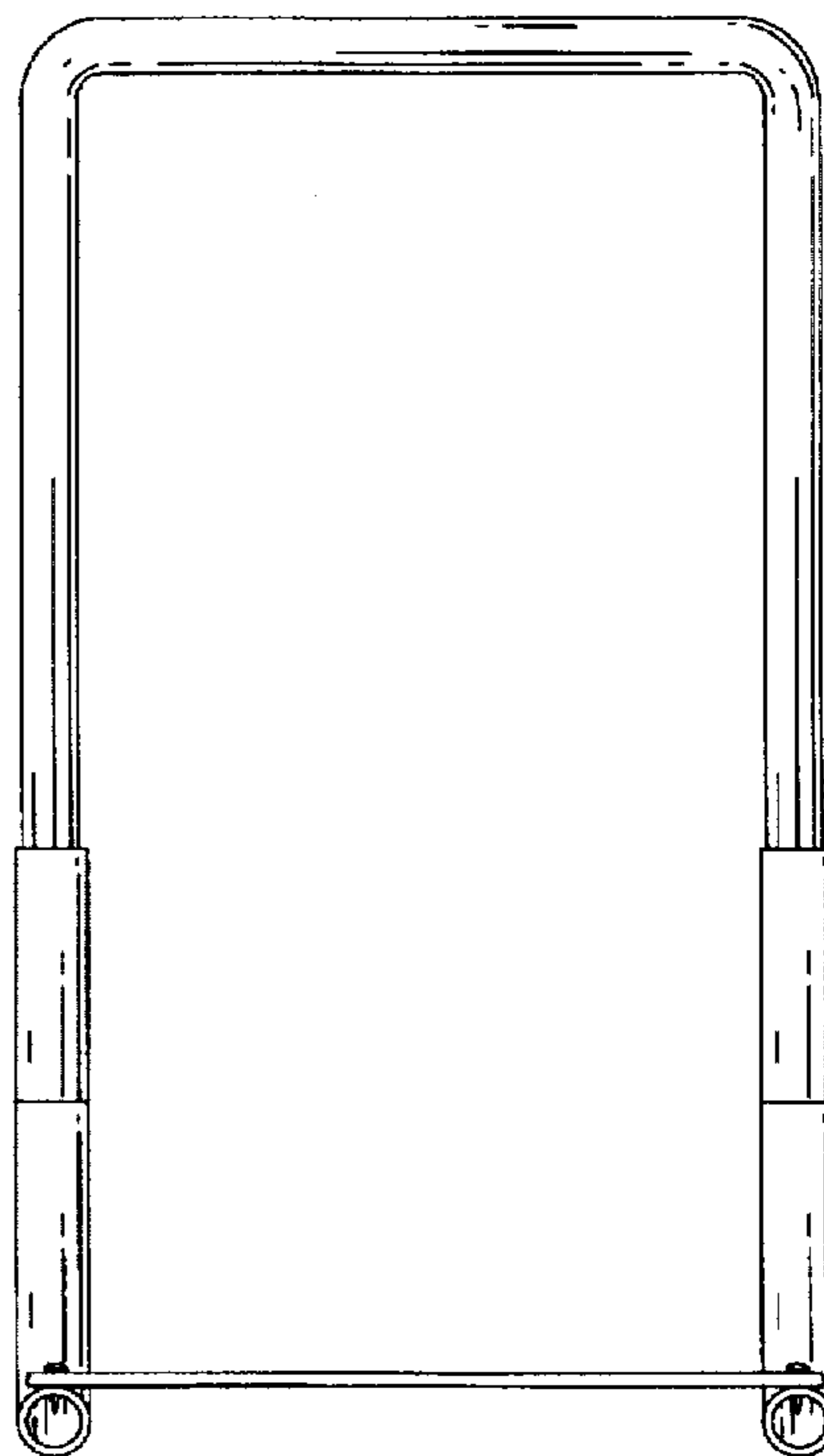


FIG. 6

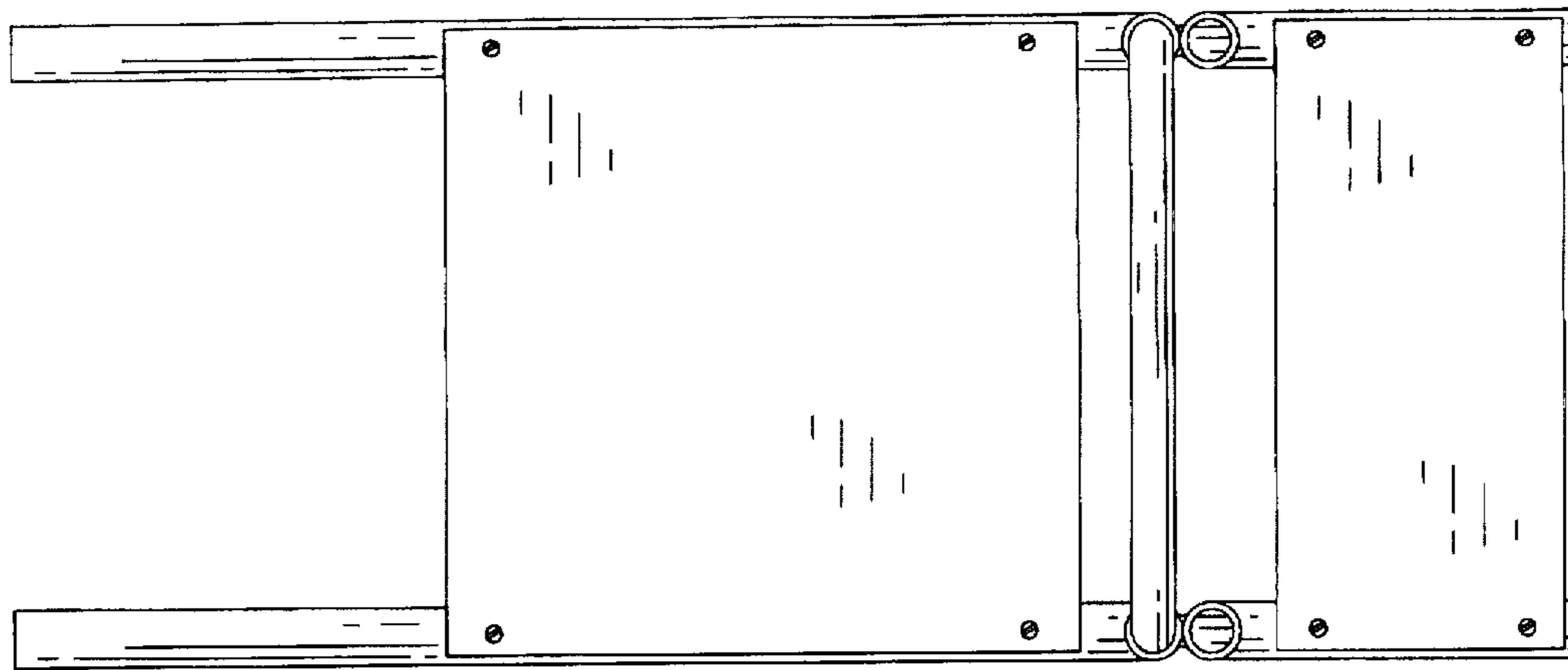


FIG. 7

