



US00D384468S

United States Patent [19]

Tobias

[11] Patent Number: **Des. 384,468**

[45] Date of Patent: ****Sep. 30, 1997**

[54] **INVALID LIFTER**

[76] Inventor: **Stewart Tobias**, 2215 73 St. E. Box 303, Palmetto, Fla. 34221

[**] Term: **14 Years**

[21] Appl. No.: **43,426**

[22] Filed: **Sep. 5, 1995**

Related U.S. Application Data

[63] Continuation-in-part of Ser. No. 23,484, May 25, 1994, abandoned.

[51] LOC (6) Cl. **12-05**

[52] U.S. Cl. **D34/28**

[58] Field of Search D34/28, 33, 35, D34/36, 23; 187/200, 243-4; 182/2, 152; 414/11, 343, 483; 212/94; 254/45, 2 C, 8 R, 124, 10 R; 5/81.1, 86.1

[56] References Cited

U.S. PATENT DOCUMENTS

D. 365,907	1/1996	Mishler	D34/28
3,041,636	7/1962	Twedt	5/81.1
3,165,314	1/1965	Clearman et al.	5/81.1
3,394,933	7/1968	Benoit	5/81.1
4,443,902	4/1984	Baer	5/81.1
4,918,771	4/1990	James	D34/33
4,940,381	7/1990	Rysewyk	187/244
5,189,741	3/1993	Beardmore	5/81.1

Primary Examiner—A. Hugo Word

Assistant Examiner—Robin V. Taylor
Attorney, Agent, or Firm—Oldham & Oldham Co., L.P.A.

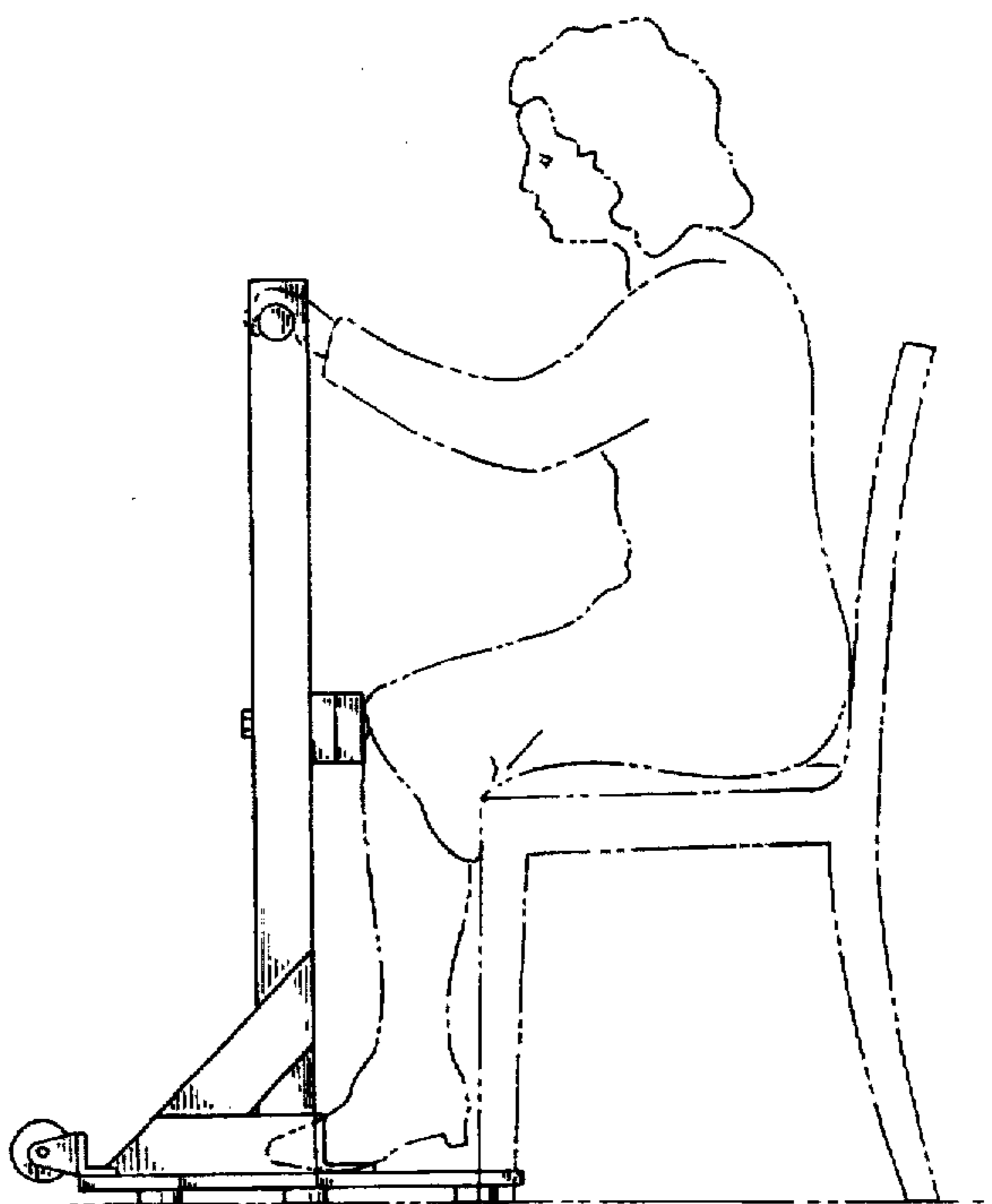
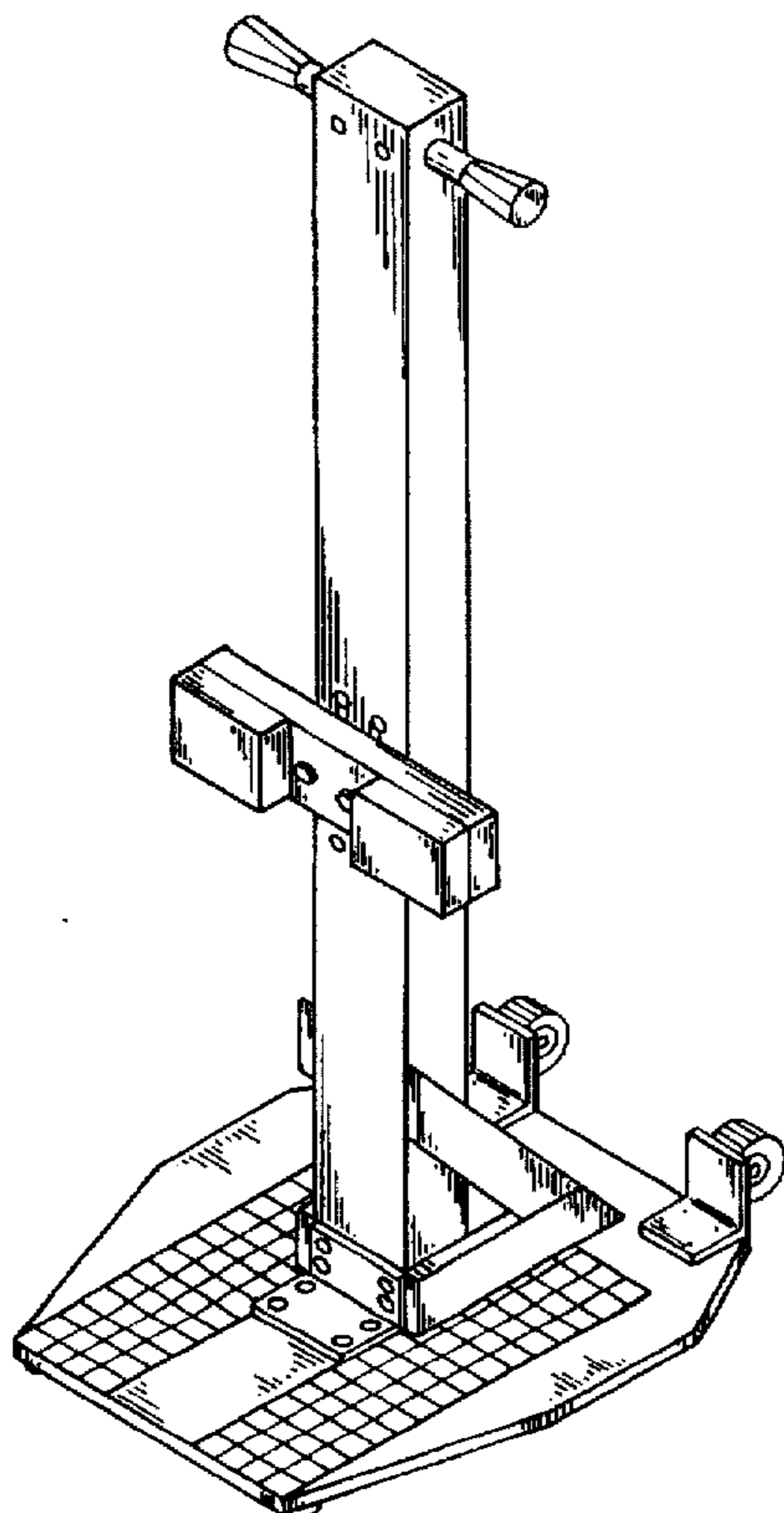
[57] CLAIM

The ornamental design for an invalid lifter, as shown and described.

DESCRIPTION

FIG. 1 is a perspective view of the design;
 FIG. 2 is a top plan view of the design as shown in FIG. 1;
 FIG. 3 is a bottom plan view of the design as shown in FIG. 1;
 FIG. 4 is a front elevational view of the design as shown in FIG. 1;
 FIG. 5 is a left side elevational view of the design as shown in FIG. 1;
 FIG. 6 is a right side elevational view of the design as shown in FIG. 1;
 FIG. 7 is a rear elevational view of the design as shown in FIG. 1;
 FIG. 8 is a side elevation view of the invention showing an invalidated person seated on a chair just prior to using the invention, the broken line showing of the human form is for illustrative purposes only and forms no part of the claimed design; and,
 FIG. 9 is a side elevation view of the invention showing the invalidated person using the invention to rise from a sitting position, the broken line showing of the human form is for illustrative purposes only and forms no part of the claimed design.

1 Claim, 3 Drawing Sheets



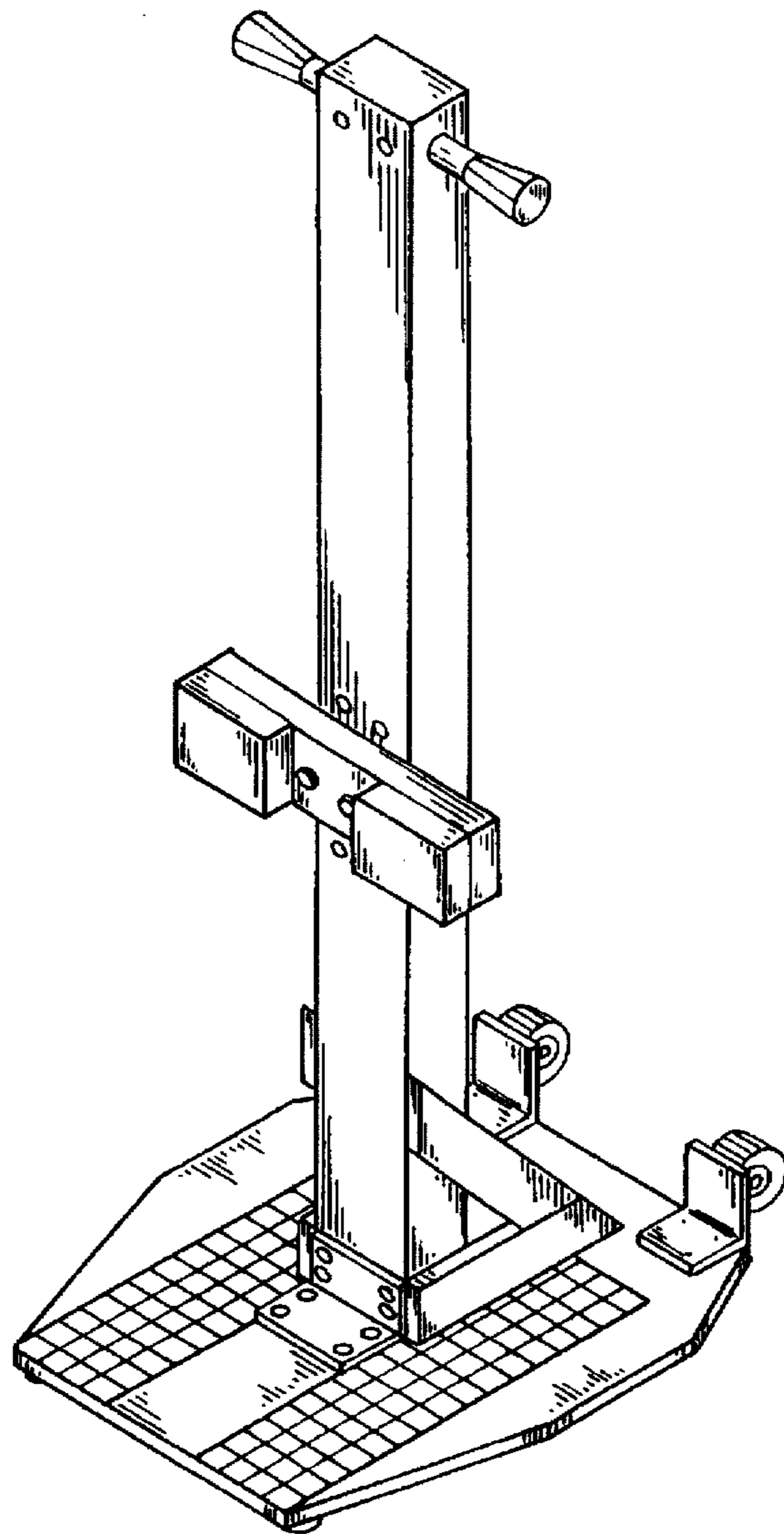


FIG. -1

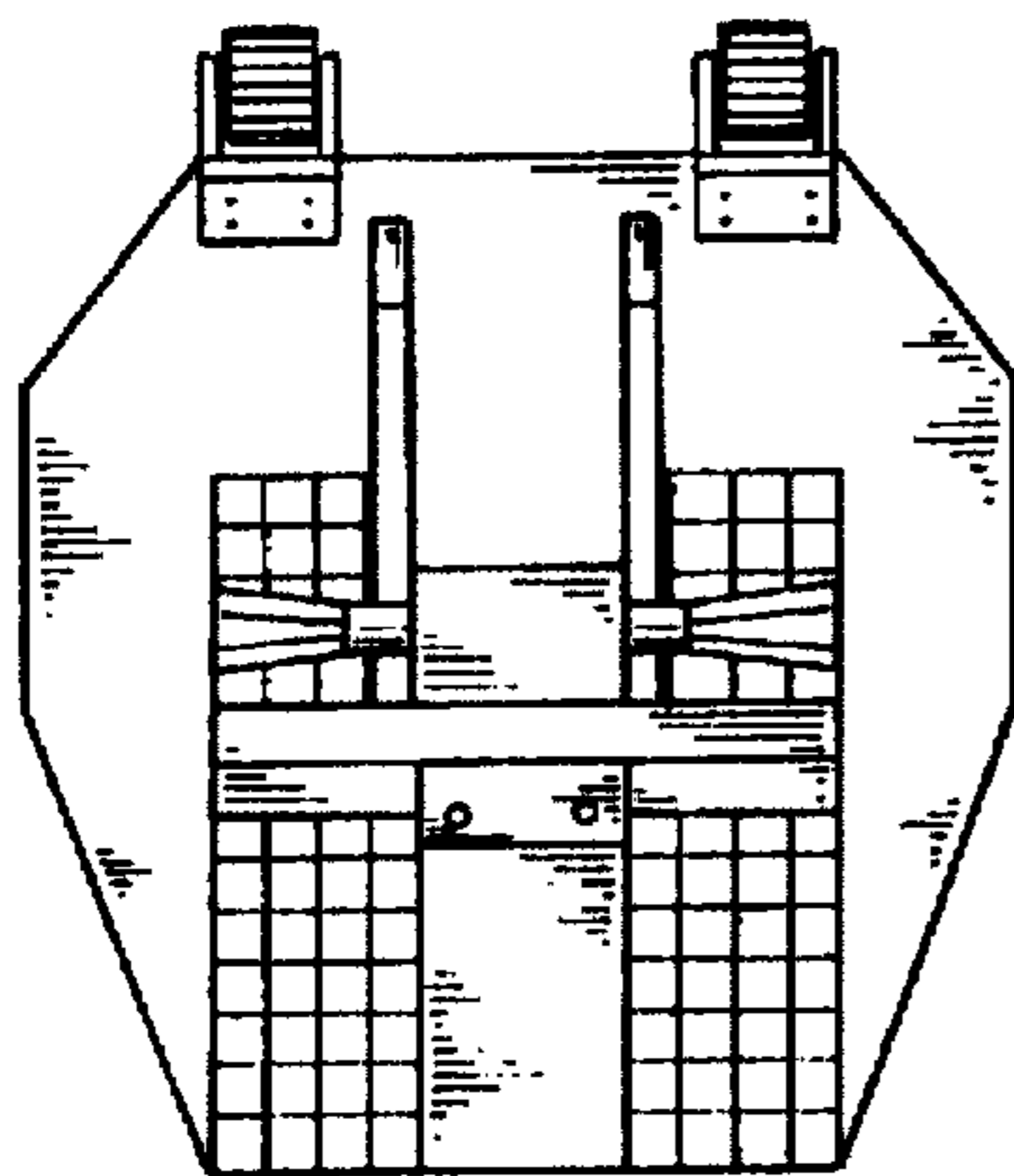


FIG. -2

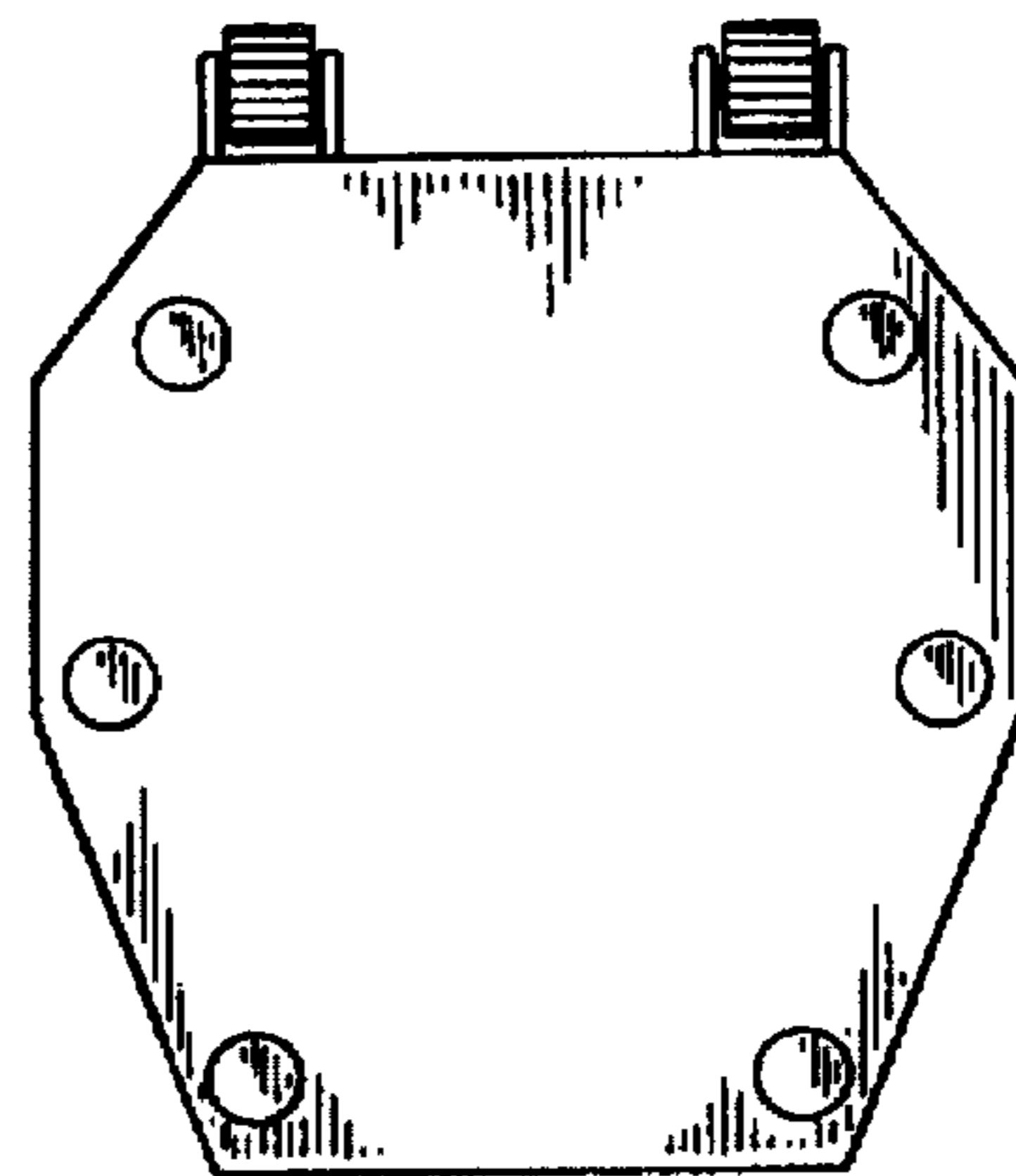


FIG. -3

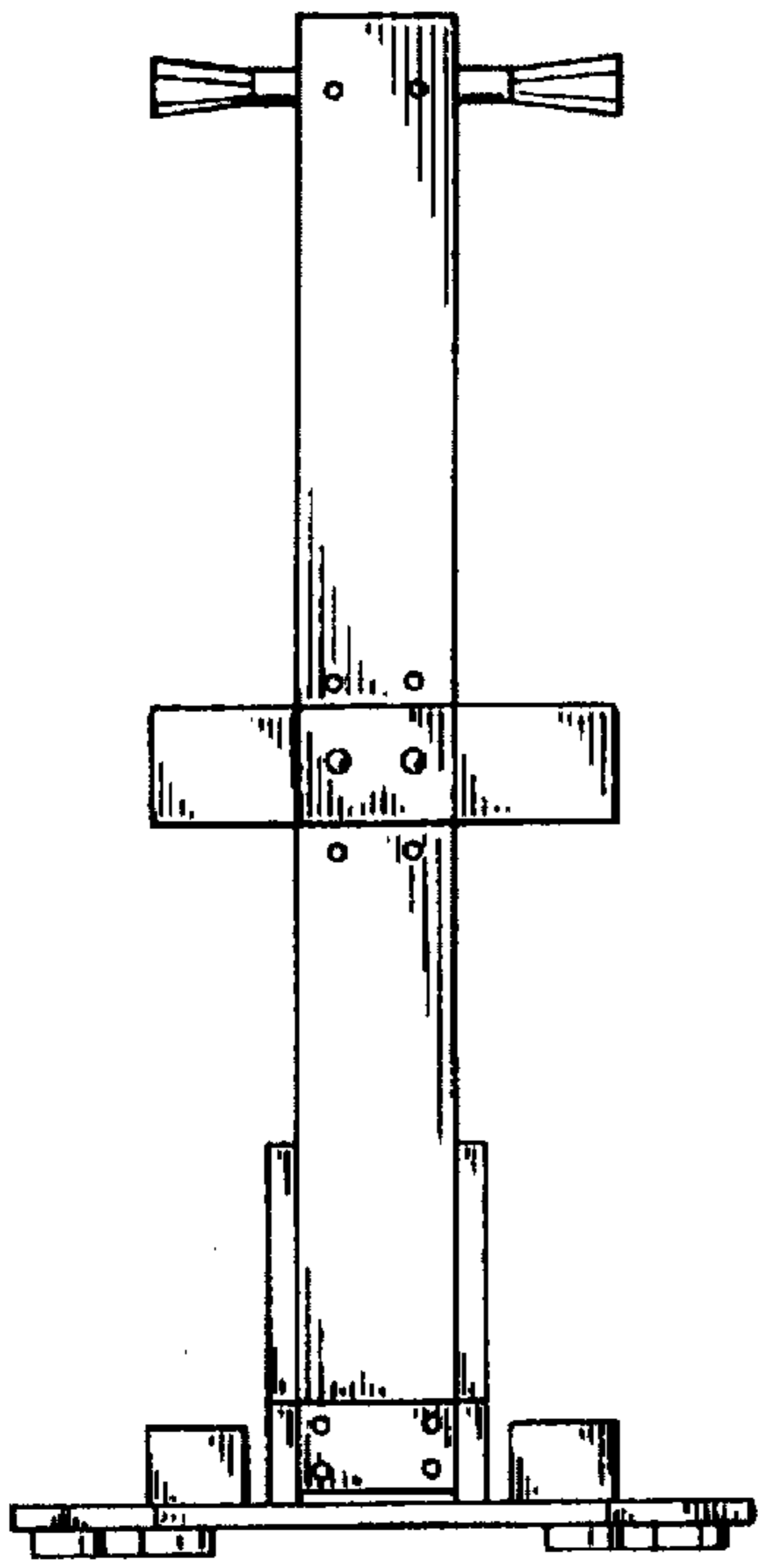


FIG. -4

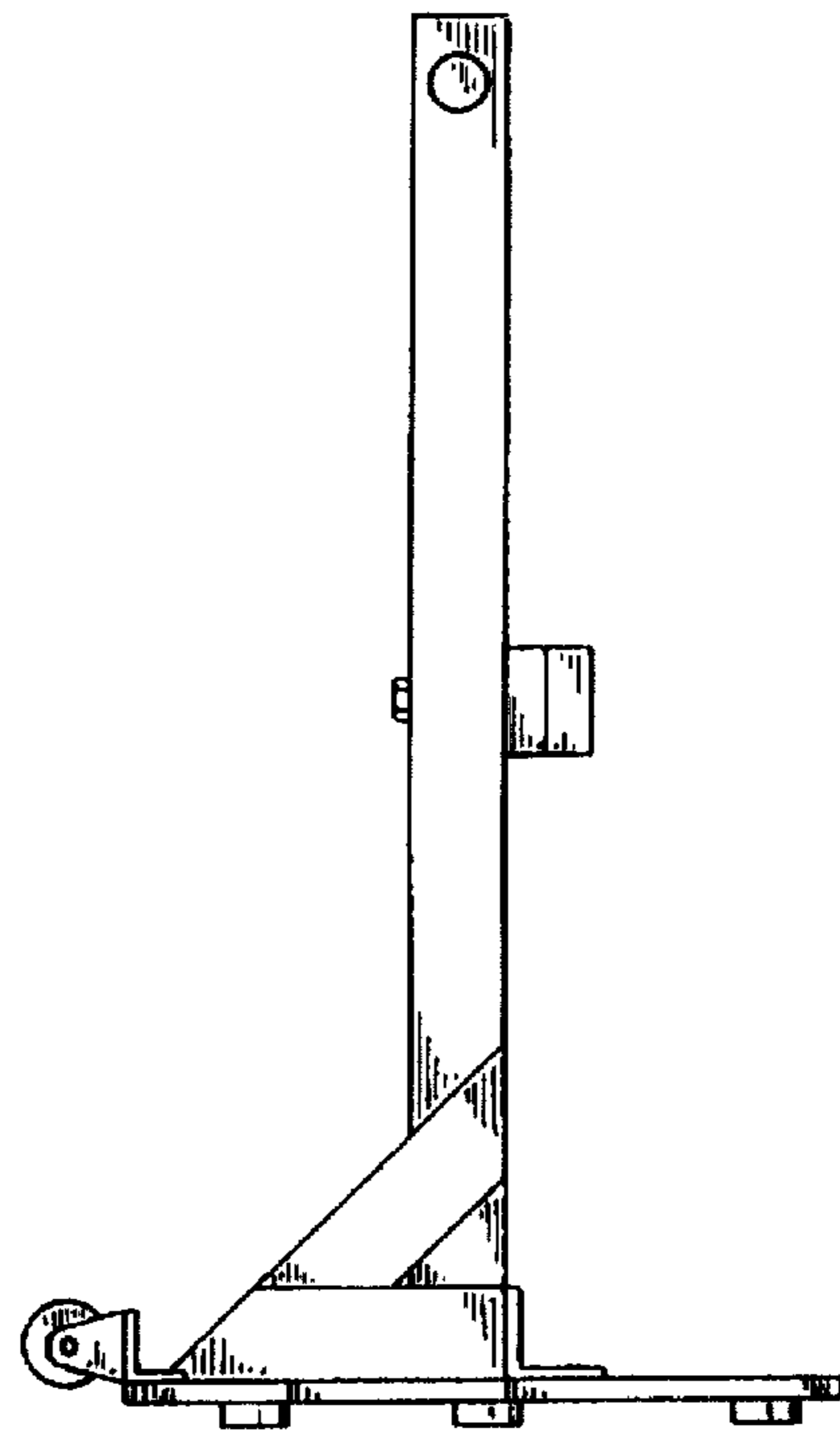


FIG. -5

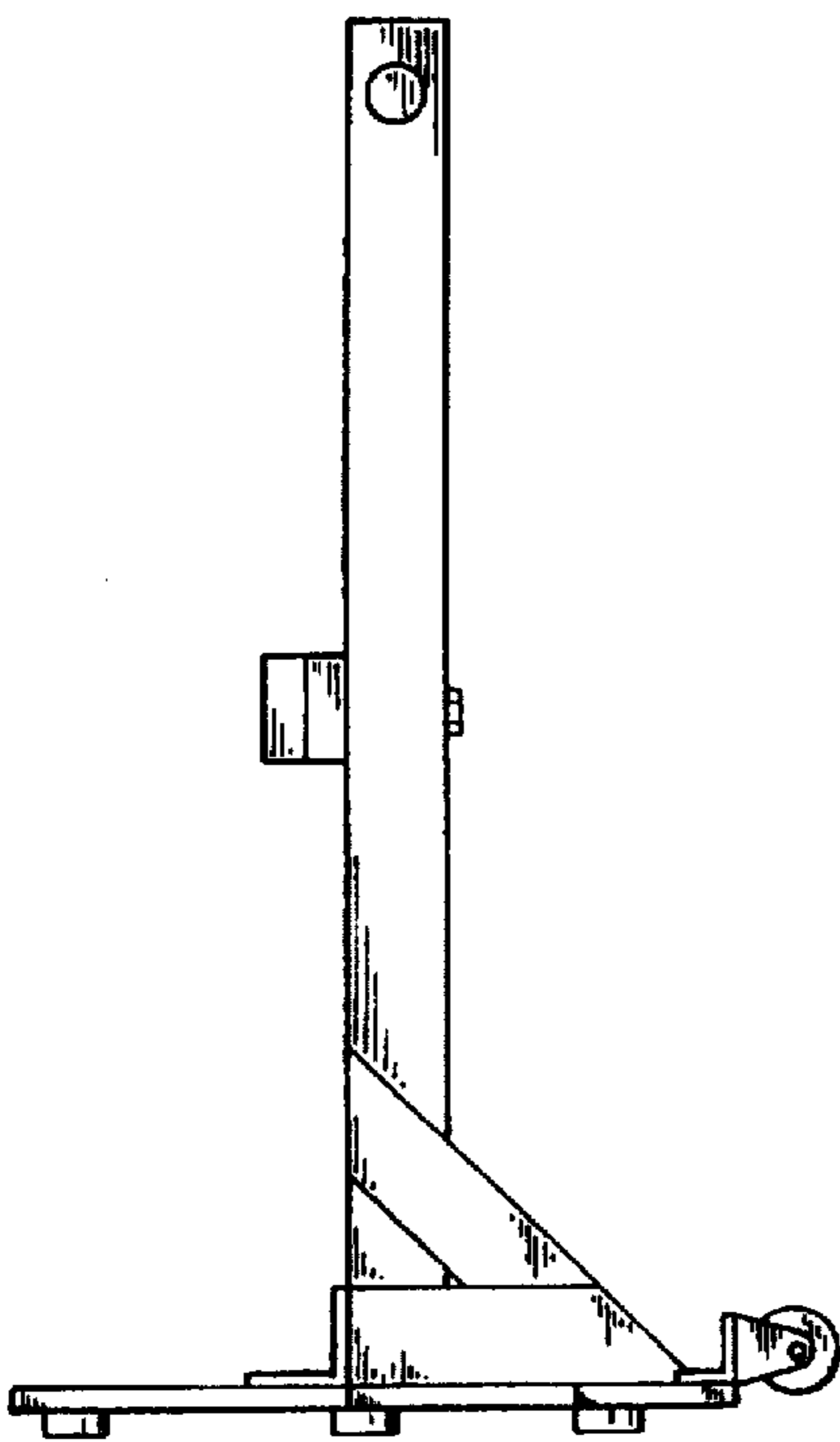


FIG. -6

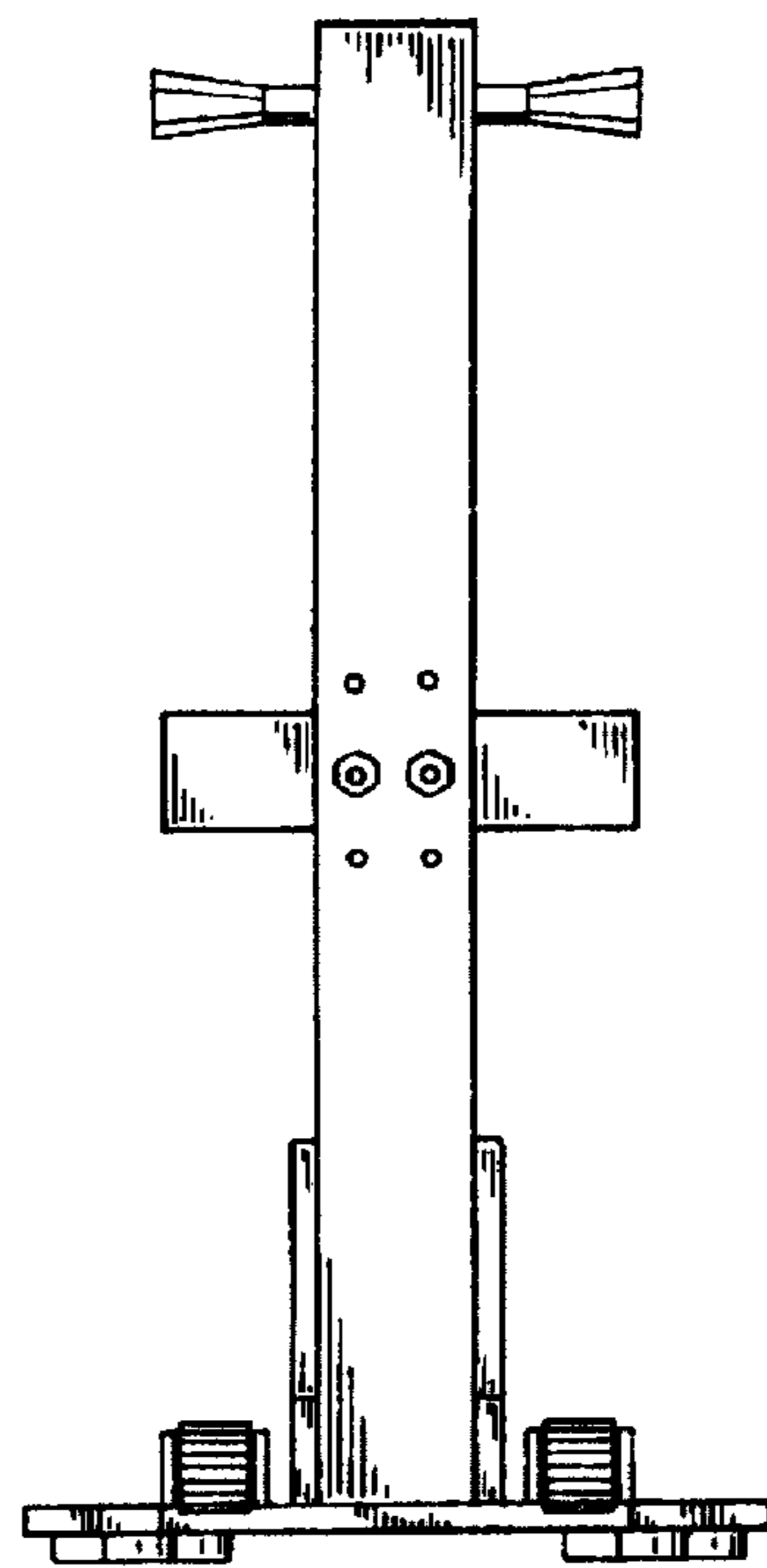


FIG. -7

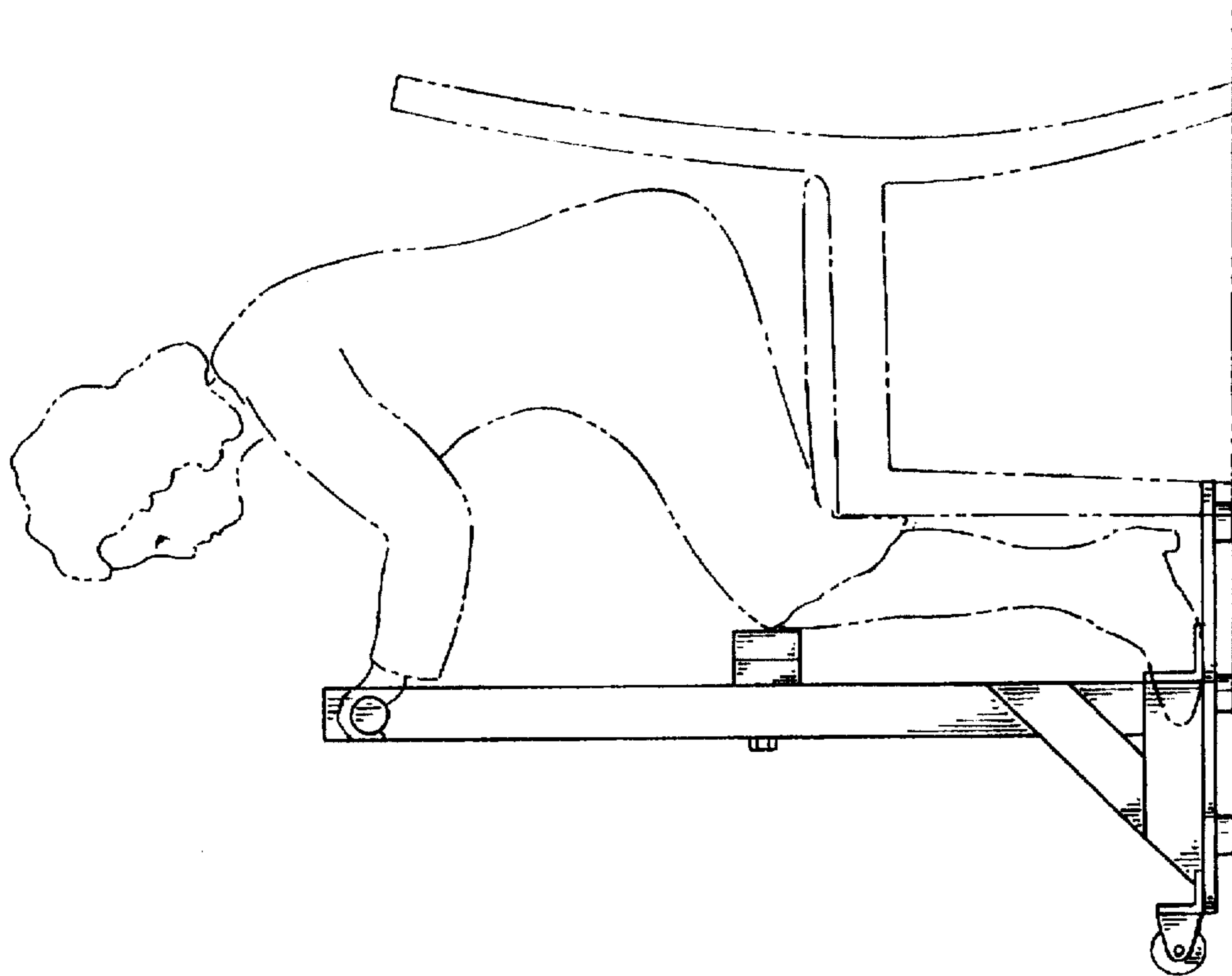


FIG. - 9

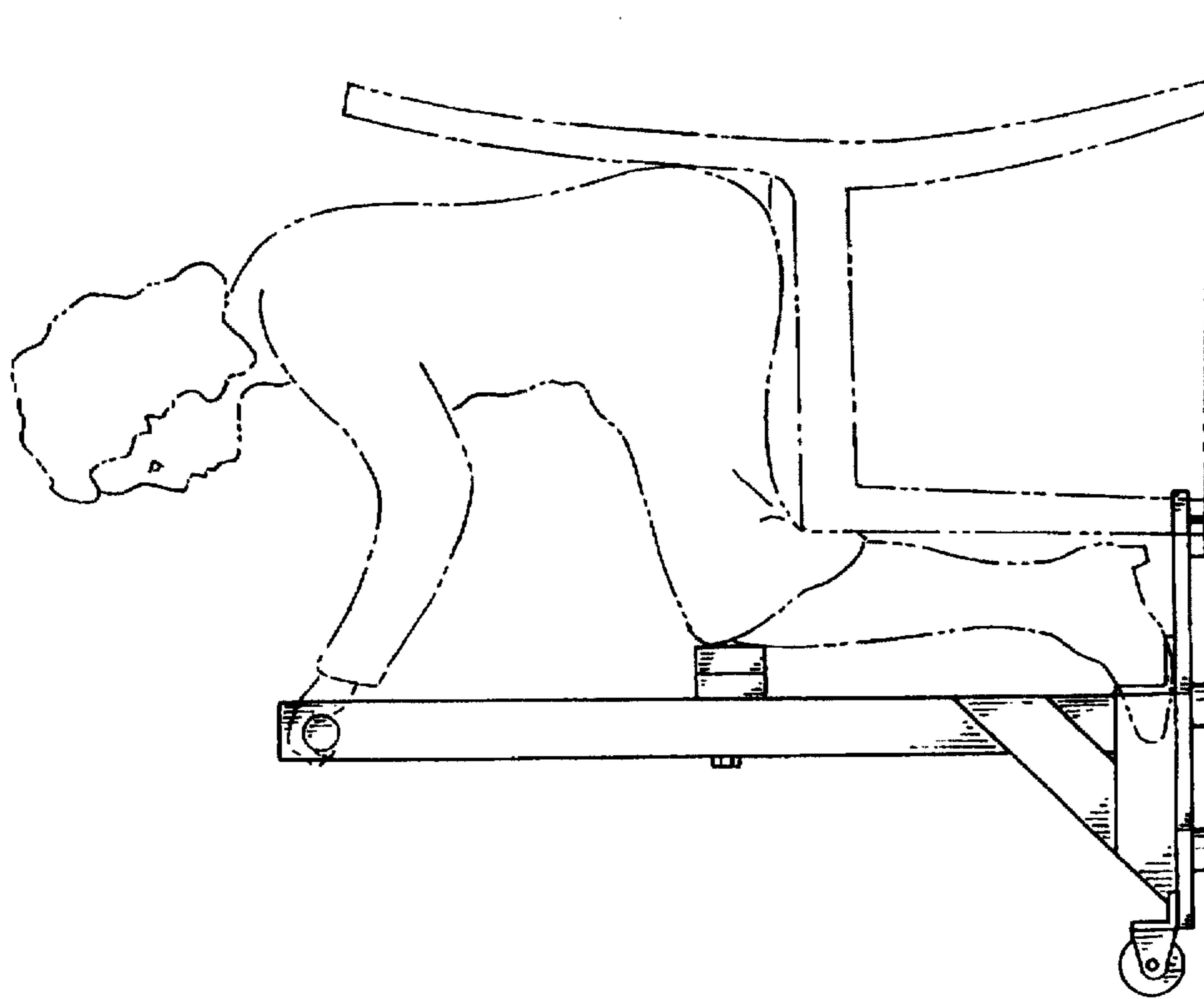


FIG. - 8