



US00D384465S

United States Patent [19]

[11] Patent Number: Des. 384,465

Somerset et al.

[45] Date of Patent: **Sep. 30, 1997

[54] **MOBILE FOOD PREPARATION AND SERVICE CART**

D. 277,991	3/1985	Becker	D34/20
D. 341,457	11/1993	Johnson et al.	D34/19
3,874,479	4/1975	Onori et al.	186/44

[76] Inventors: **Paul Somerset; J. Scott Reams**, both of 1651 Oliver St., San Diego, Calif. 92109

Primary Examiner—Kay H. Chin
Attorney, Agent, or Firm—Burns Doane Swecker and Mathis

[**] Term: **14 Years**

[57] CLAIM

[21] Appl. No.: **44,028**

The ornamental design for a mobile food preparation and service cart, as shown and described.

[22] Filed: **Sep. 15, 1995**

DESCRIPTION

[51] LOC (6) Cl. **12-02**

[52] U.S. Cl. **D34/20; D34/19**

[58] **Field of Search** D34/12, 17, 18, D34/19, 20; 186/44; D6/474, 421; 280/79.11, 79.3

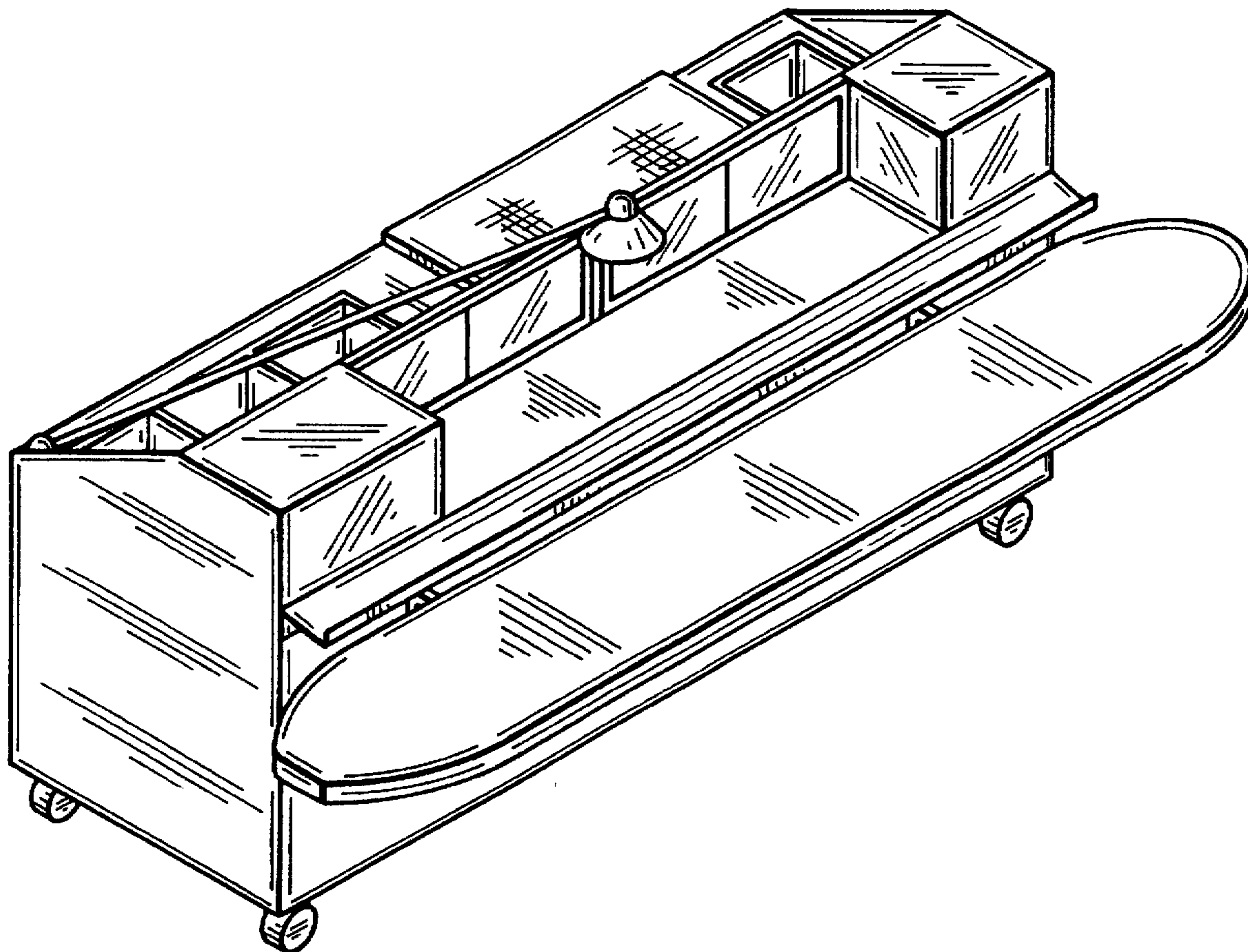
FIG. 1 is a top plan view of a mobile food preparation and service cart, showing my new design;
FIG. 2 is a front view thereof;
FIG. 3 is a right side view thereof;
FIG. 4 is a left side view thereof;
FIG. 5 is a back view thereof;
FIG. 6 is a bottom plan view thereof; and,
FIG. 7 is a top perspective view thereof.

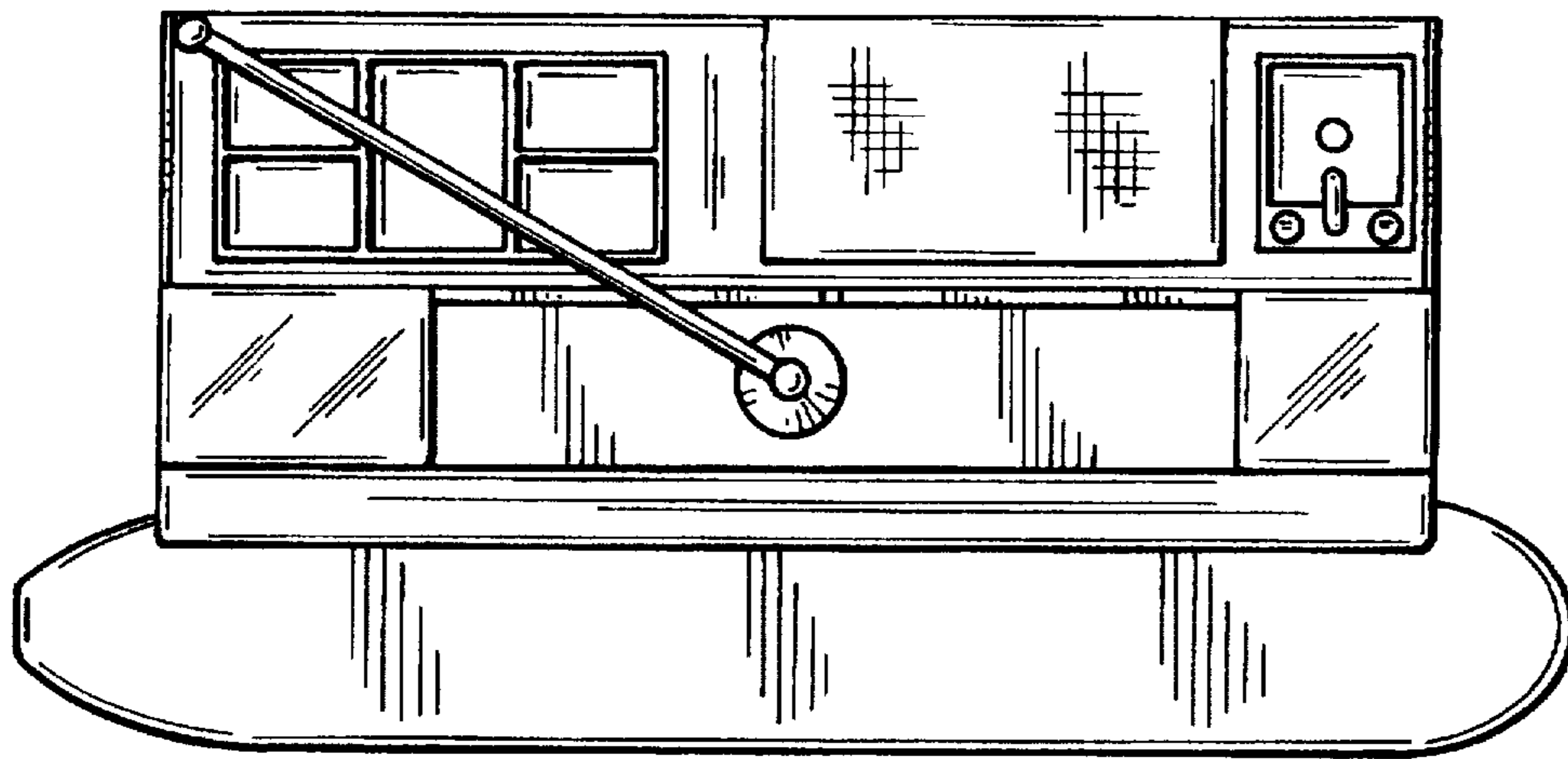
[56] References Cited

U.S. PATENT DOCUMENTS

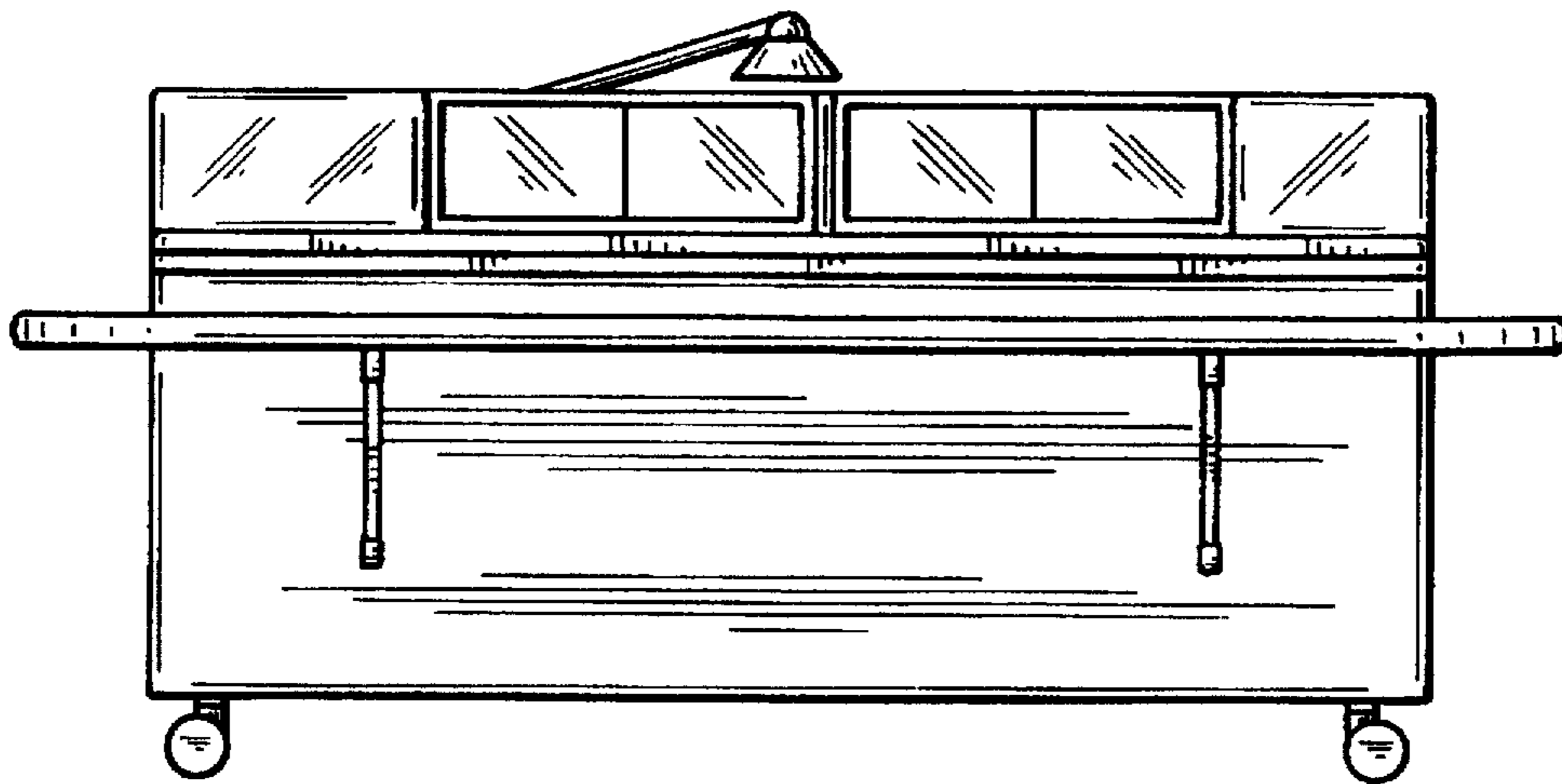
D. 188,719	8/1960	Rhoads	D34/20
D. 192,726	5/1962	Rhoads	D34/20

1 Claim, 3 Drawing Sheets

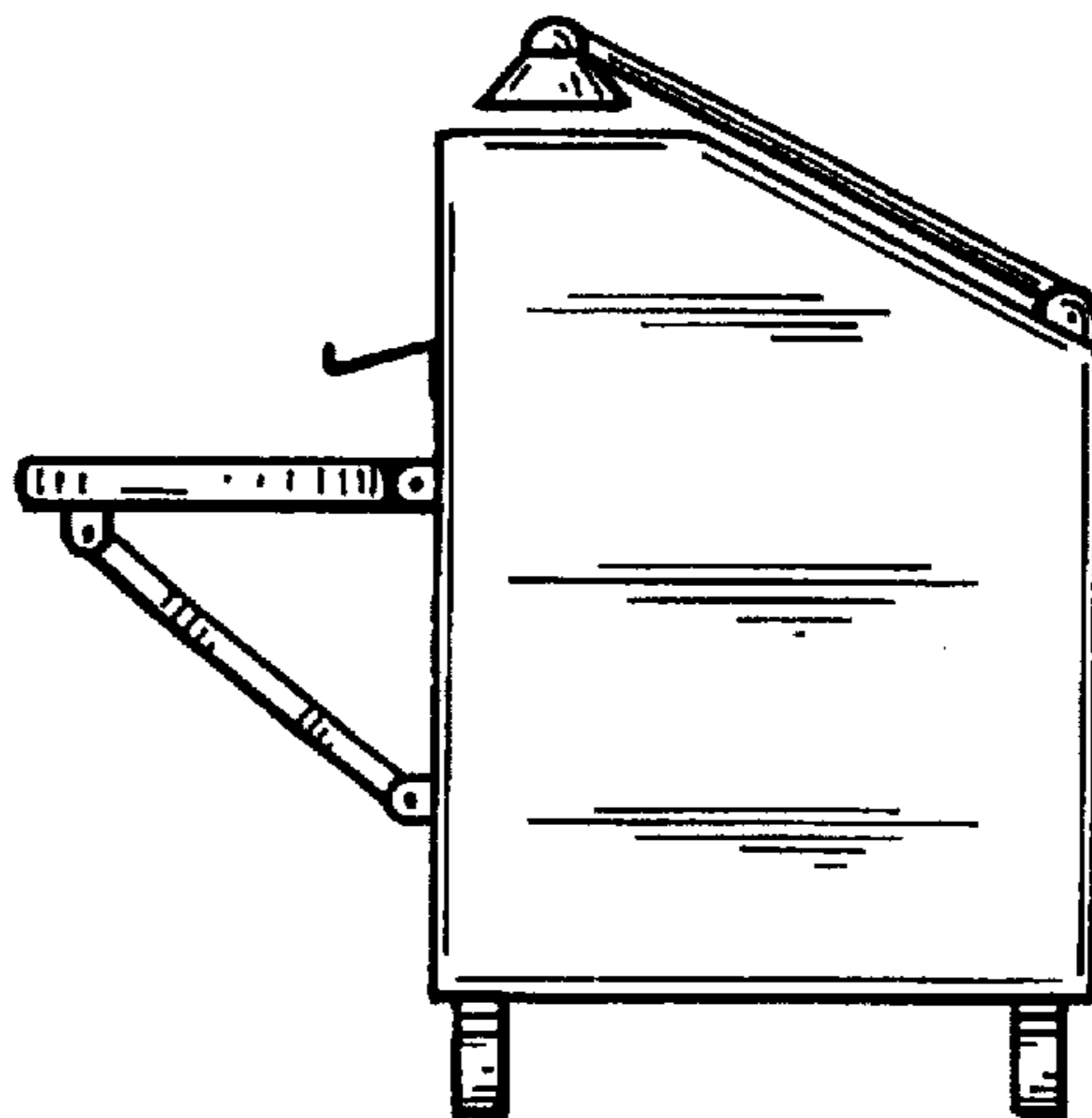




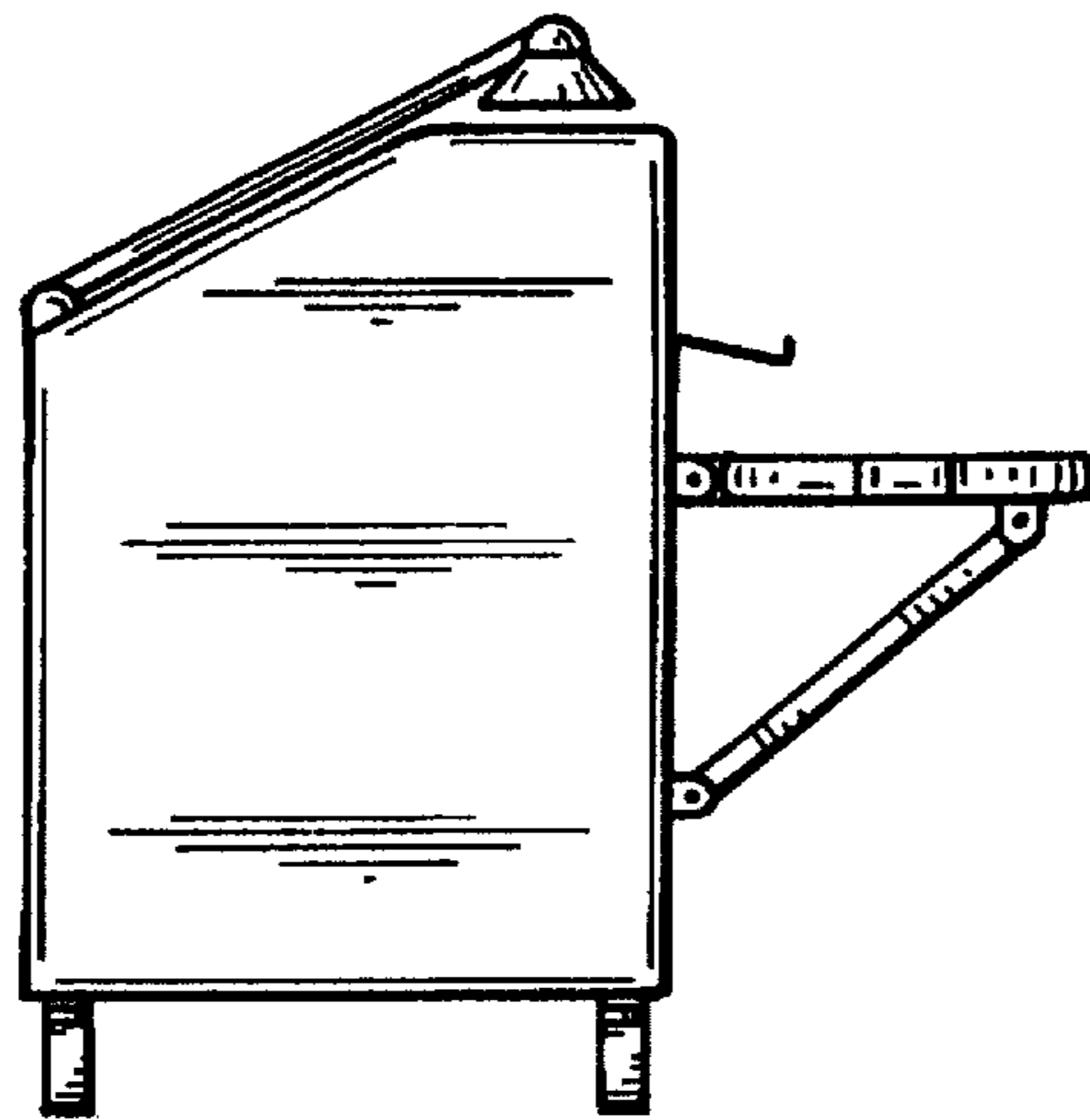
FIG_1



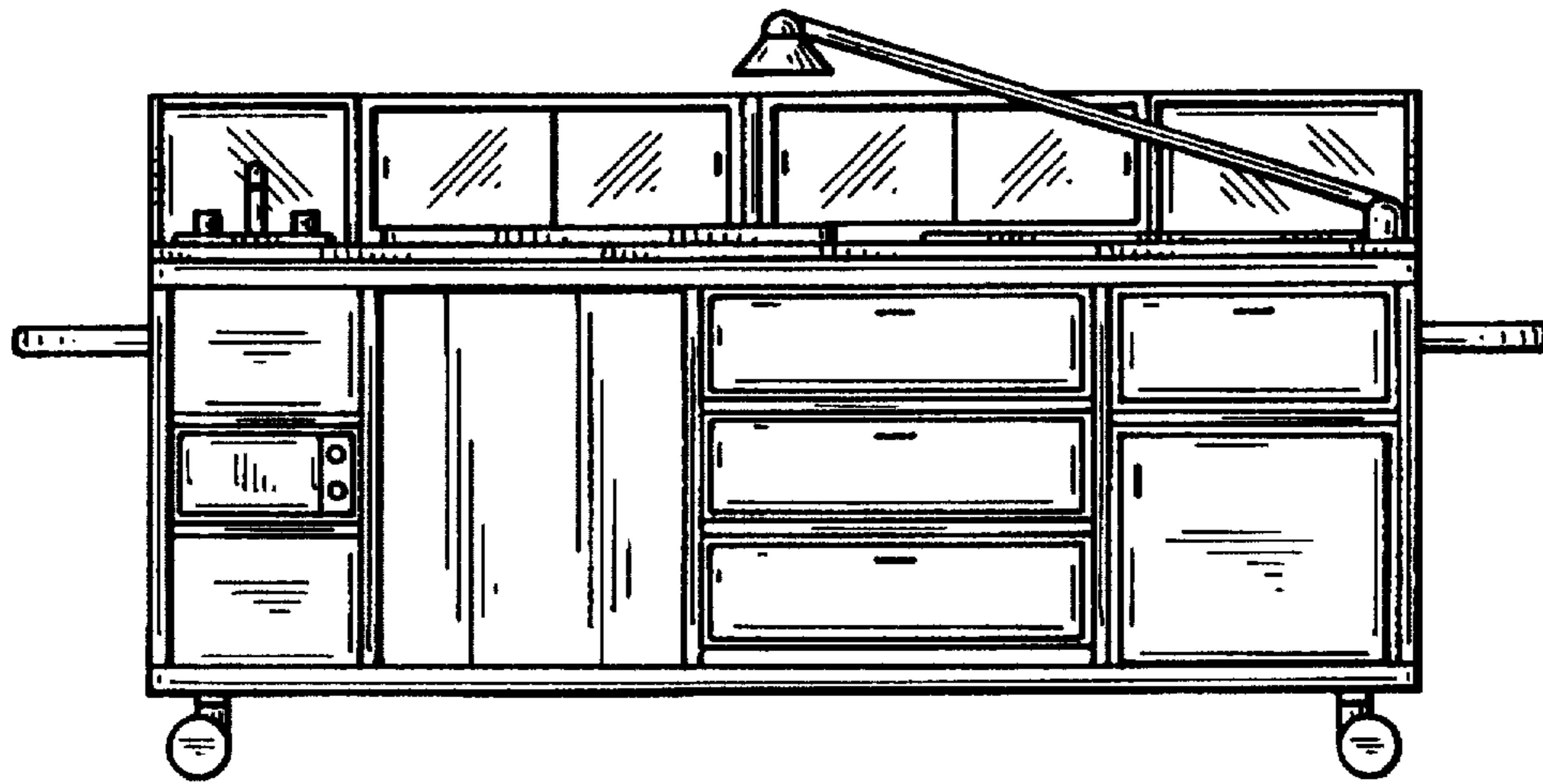
FIG_2



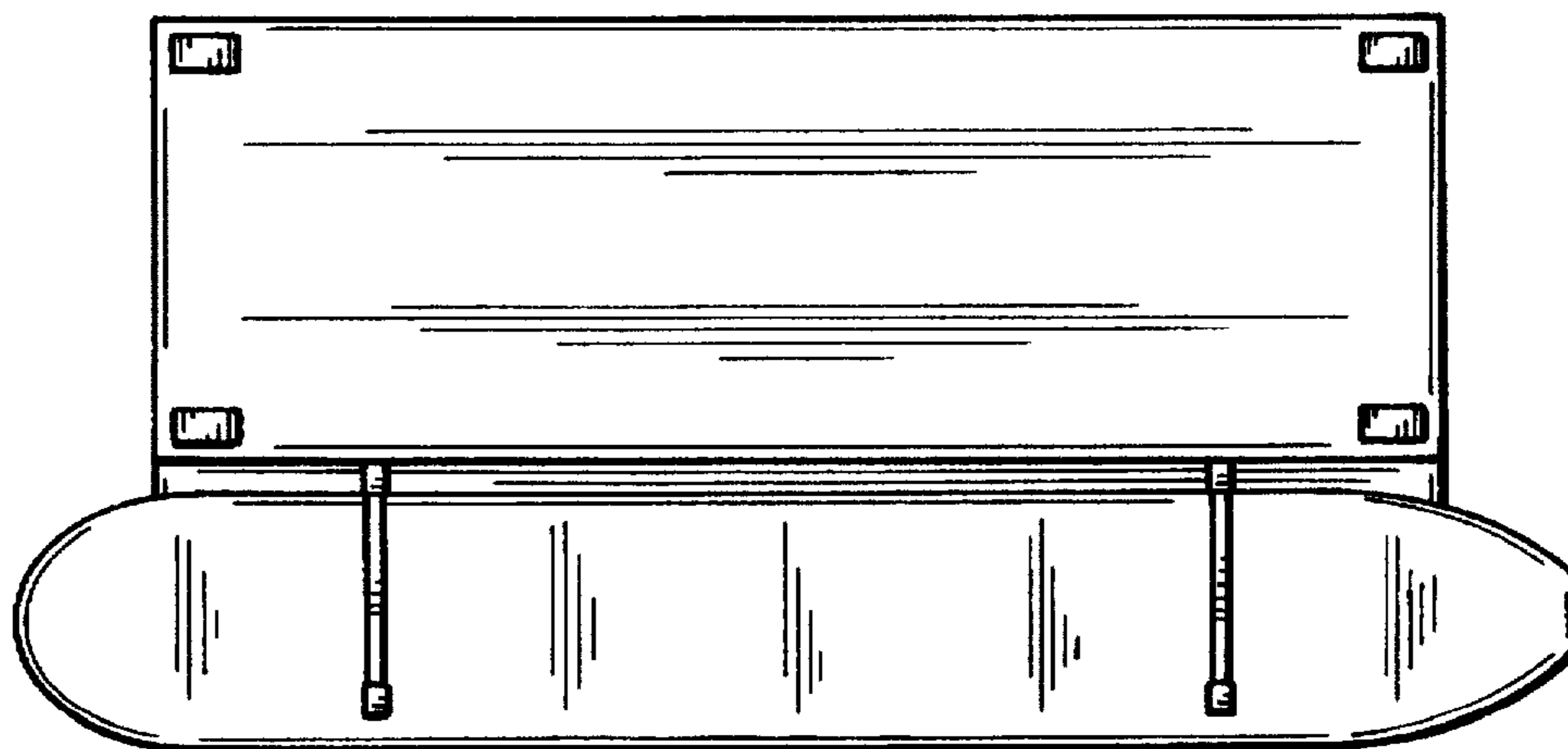
FIG_3



FIG_4



FIG_5



FIG_6

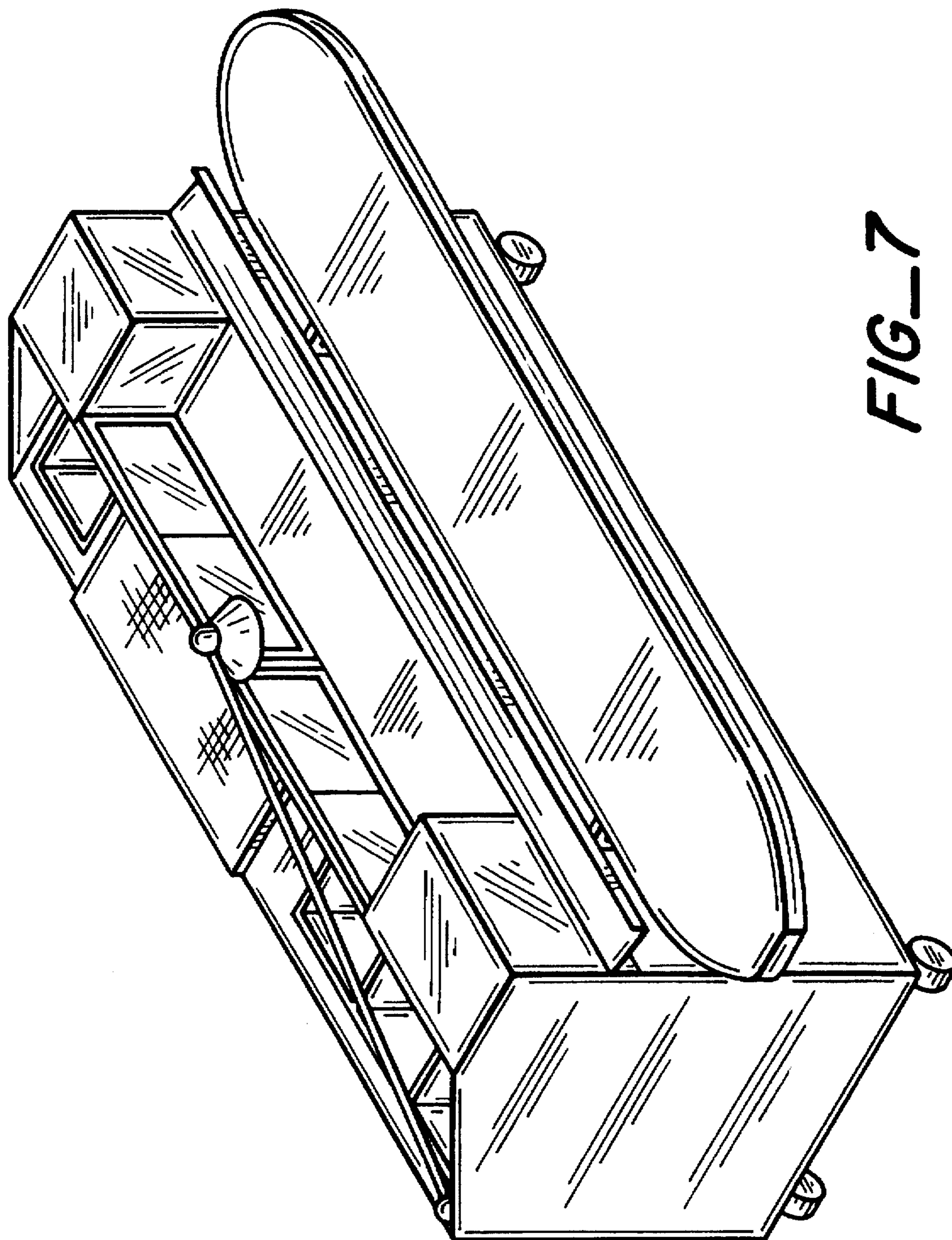


FIG-7