



US00D384463S

United States Patent [19] Genovese

[11] Patent Number: Des. 384,463

[45] Date of Patent: **Sep. 30, 1997

[54] VENDING CART

[76] Inventor: Alan A. Genovese, 1302 Clarkson Clayton Center, Suite 209, Ellisville, Mo. 63011

[**] Term: 14 Years

[21] Appl. No.: 56,948

[22] Filed: Jul. 12, 1996

[51] LOC (6) Cl. 12-02

[52] U.S. Cl. D34/13

[58] Field of Search D34/12, 13, 14, D34/17, 19, 20; 296/22

[56] **References Cited**

U.S. PATENT DOCUMENTS

- D. 154,788 8/1949 Loyacano et al. D34/13
- D. 228,063 8/1973 Keeshin D34/14

Primary Examiner—Kay H. Chin
Attorney, Agent, or Firm—Senniger, Powers, Leavitt & Roedel

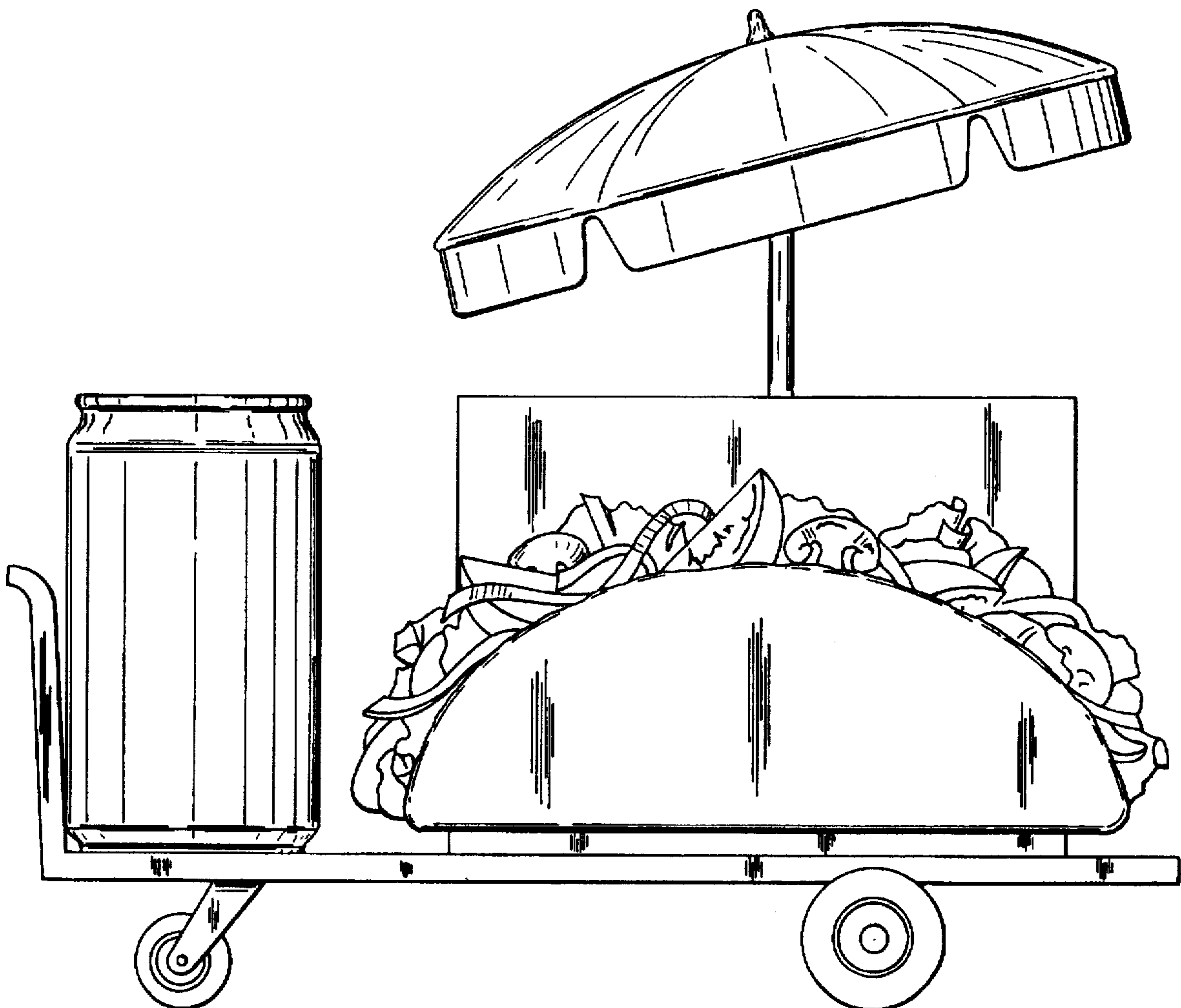
[57] **CLAIM**

The ornamental design for a vending cart, as shown and described.

DESCRIPTION

FIG. 1 is a front elevational view of a vending cart embodying my new design;
 FIG. 2 is a top plan view;
 FIG. 3 is a bottom plan view;
 FIG. 4 is an end elevational view of the cart as viewed from the right of FIG. 1;
 FIG. 5 is an end elevational view of the cart as viewed from the left of FIG. 1; and,
 FIG. 6 is view similar to FIG. 1 showing how the cart appears with an optional lower front trim panel.

1 Claim, 5 Drawing Sheets



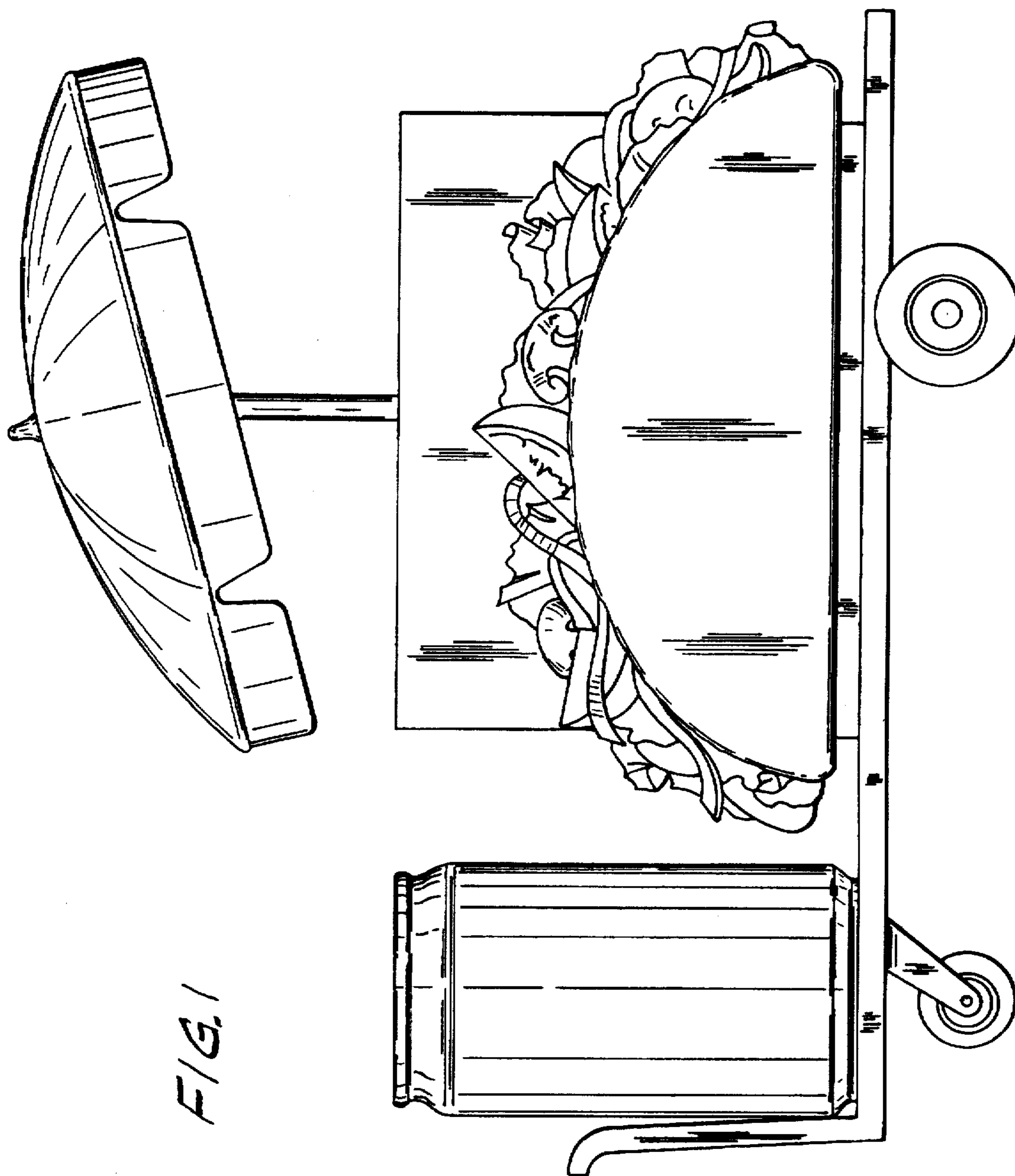


FIG. 1

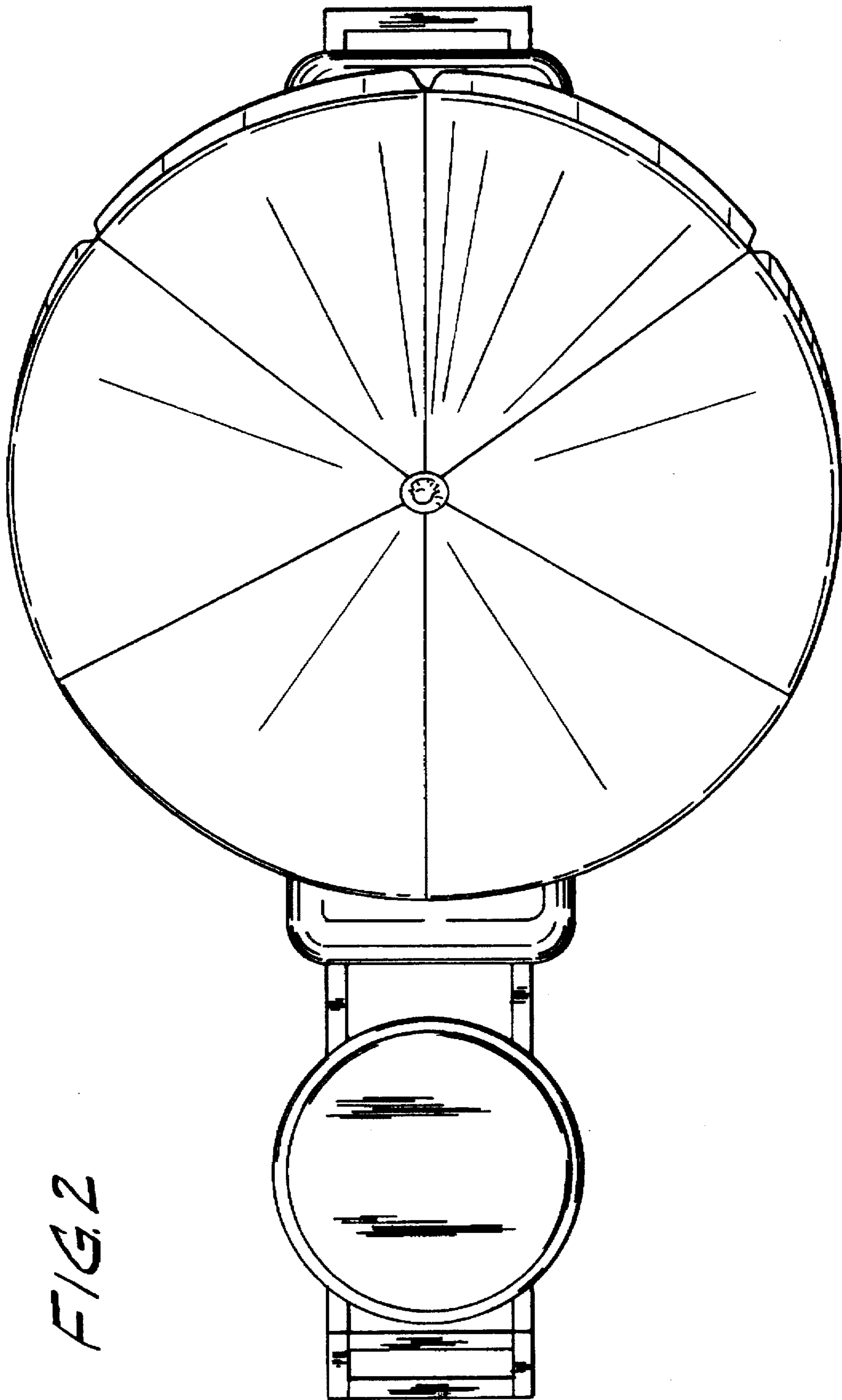


FIG. 2

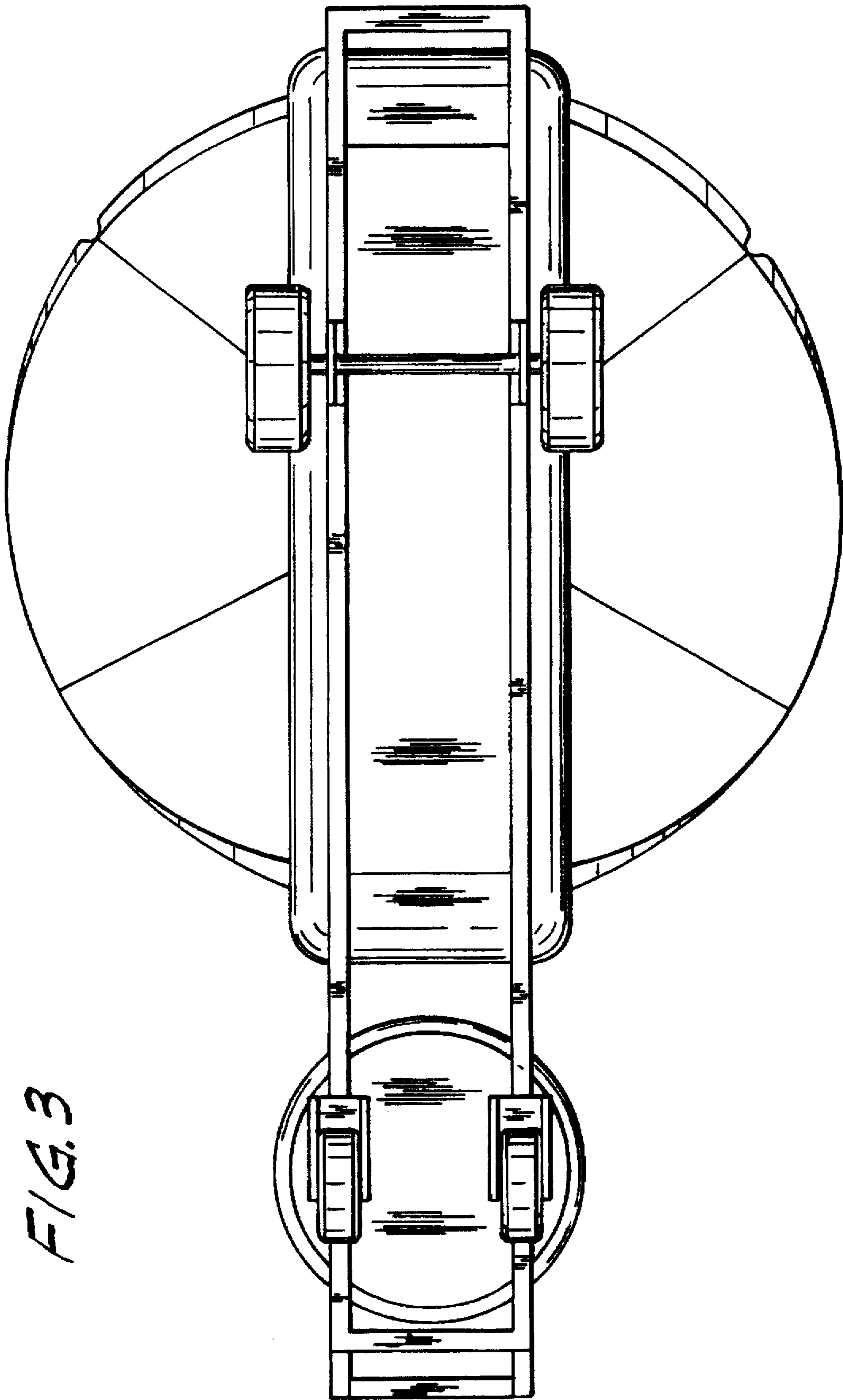


FIG. 3

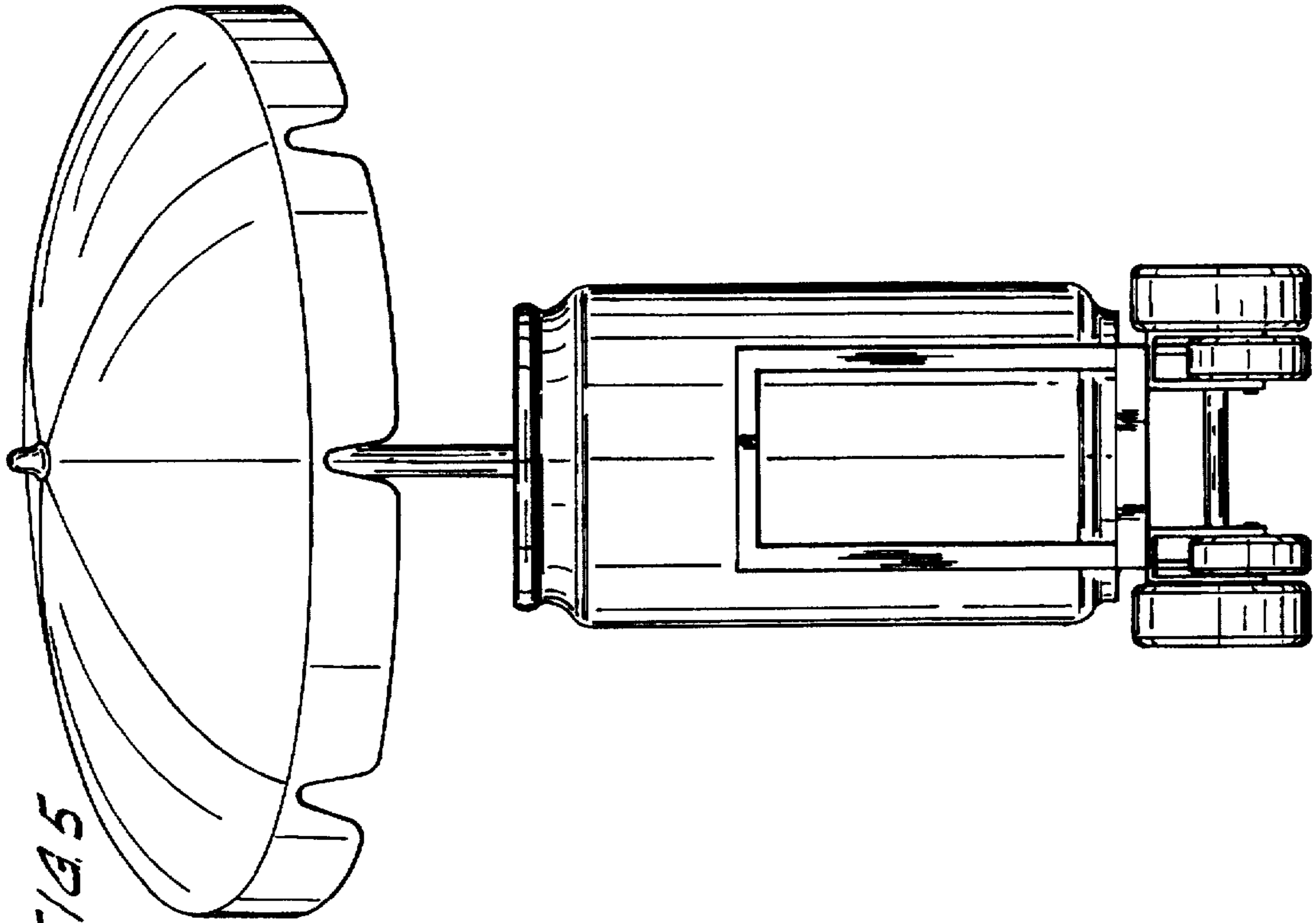


FIG. 5

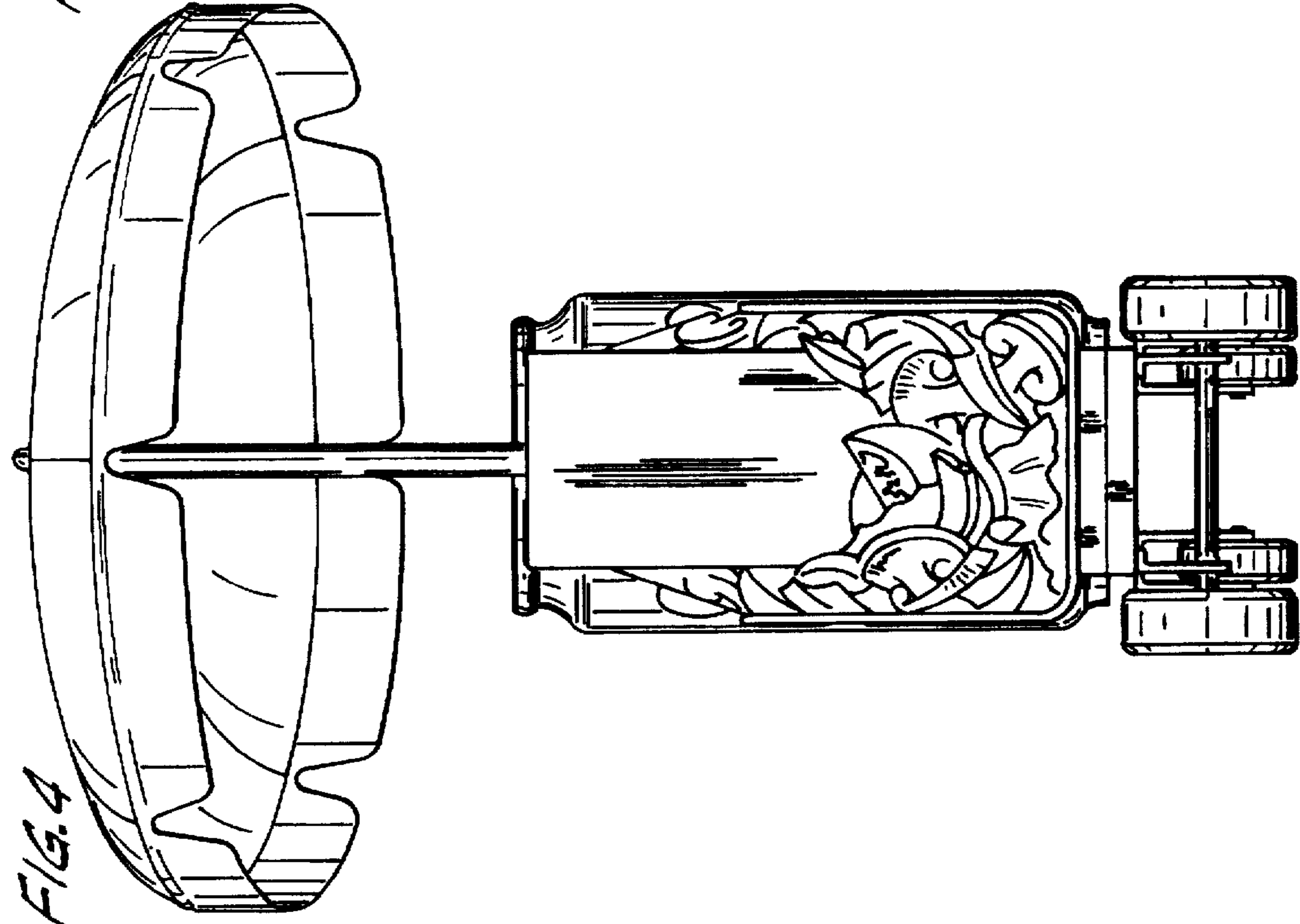


FIG. 4

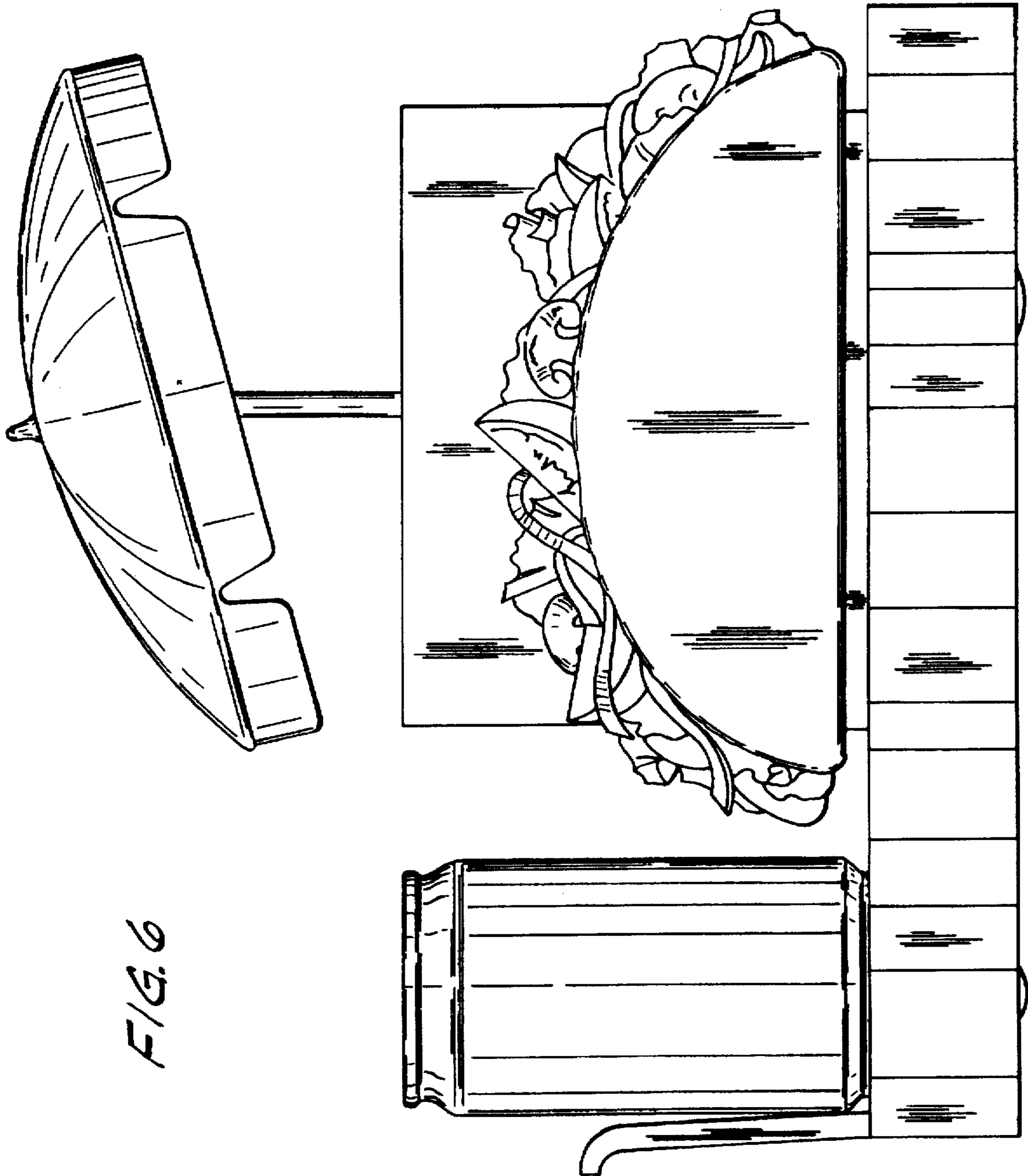


FIG. 6