



US00D384462S

United States Patent [19]

Fox et al.

[11] Patent Number: Des. 384,462

[45] Date of Patent: **Sep. 30, 1997

[54] LITTER CONTAINER

[75] Inventors: Michael B. Fox, Aloha, Oreg.; S. Kenneth Kirn, Vancouver, Wash.

[73] Assignee: Columbia Cascade Corporation, Portland, Oreg.

[**] Term: 14 Years

[21] Appl. No.: 55,676

[22] Filed: Jun. 10, 1996

[51] LOC (6) CL. 09-09

[52] U.S. Cl. D34/8; D34/6

[58] Field of Search D34/1, 5-8; D32/36, D32/37; 232/43.1, 1 R; 220/908-911, 475, 478; D6/499; 248/146, 153, 907

[56] References Cited

U.S. PATENT DOCUMENTS

D. 193,534	9/1962	Schmier	D34/5
D. 215,559	10/1969	Voorhees	D34/5
D. 319,520	8/1991	Yurk et al.	248/137
D. 333,713	3/1993	Blakemoe	D34/1
957,237	5/1910	Moorman	.	
1,227,323	5/1917	Russell	.	
2,303,067	11/1942	Richard	248/134
2,952,434	9/1960	Blanchard	248/137
3,064,931	11/1962	Rowe	248/907
3,517,902	6/1970	Daniels	248/137
3,788,584	1/1974	Deike	D34/6
4,300,696	11/1981	Bryce	220/908
4,741,494	5/1988	Voornas	D34/6
5,350,079	9/1994	Larson et al.	220/908

OTHER PUBLICATIONS

Sweets catalog, 2870/DUM, Buyline 7860, Item #model 89 receptacle 1994.

Primary Examiner—A. Hugo Word
Assistant Examiner—Robin V. Taylor
Attorney, Agent, or Firm—Klarquist Sparkman Campbell Leigh & Whinston, LLP

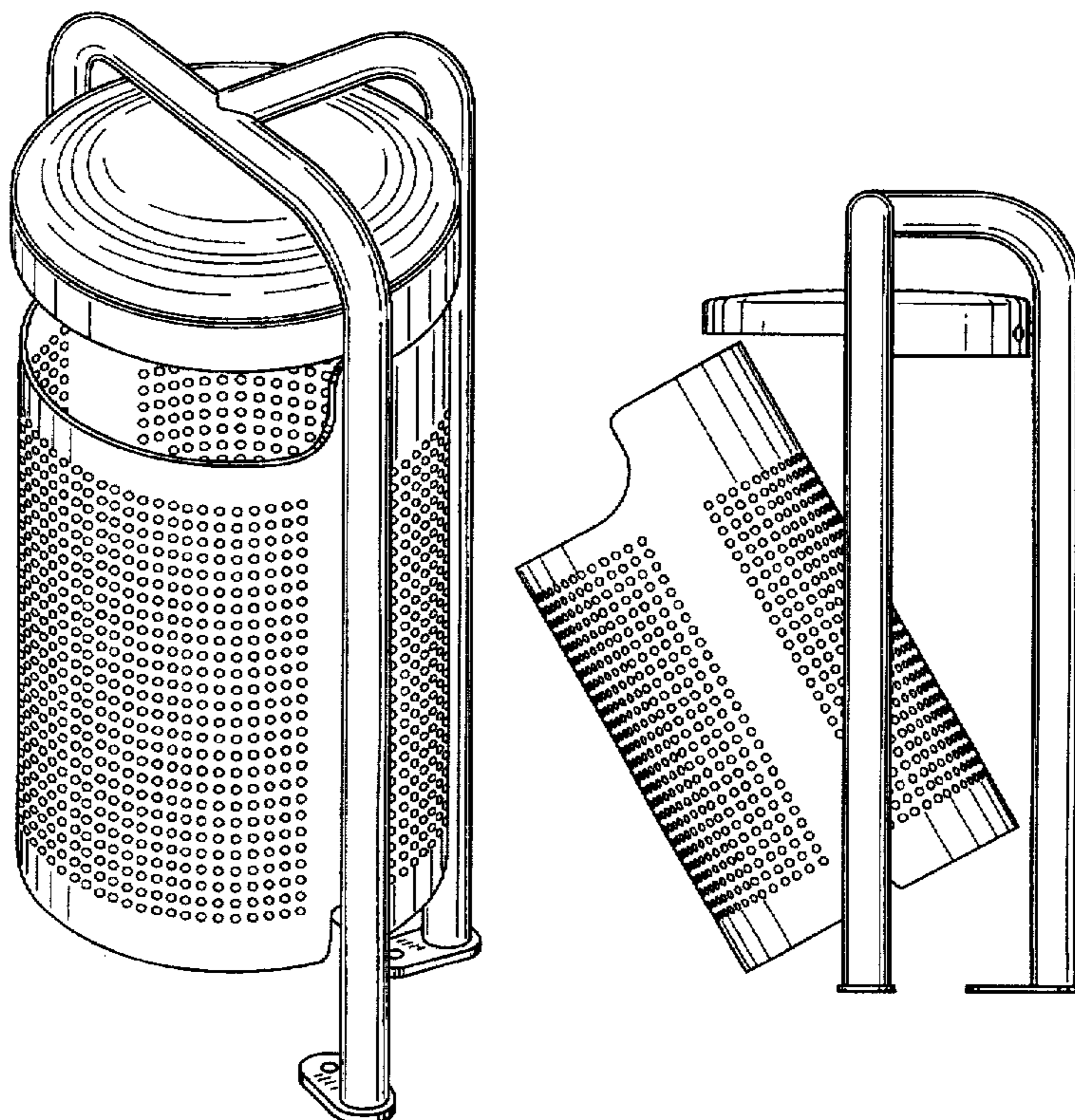
[57] CLAIM

The ornamental design for a litter container, as shown and described.

DESCRIPTION

FIG. 1 is a perspective view, as viewed from above toward the front and right side, of a litter container showing our new design, with the container barrel in its upright position; FIG. 2 is a right-side elevational view of the litter container of FIG. 1 showing the container with the container barrel in its tilt-out position; FIG. 3 is a top-plan view of the litter container of FIG. 1 with the container barrel in its upright position; FIG. 4 is a bottom-plan view of the litter container of FIG. 1 with the container barrel in its upright position; FIG. 5 is a front elevational view of the litter container of FIG. 1, with the container barrel in its upright position; FIG. 6 is a right-side elevational view of the litter container of FIG. 1 showing the container barrel in its upright position, the left-side elevational view being a mirror image of the right-side elevational view; and, FIG. 7 is a rear elevational view of the litter container of FIG. 1, with the container barrel in its upright position.

1 Claim, 2 Drawing Sheets



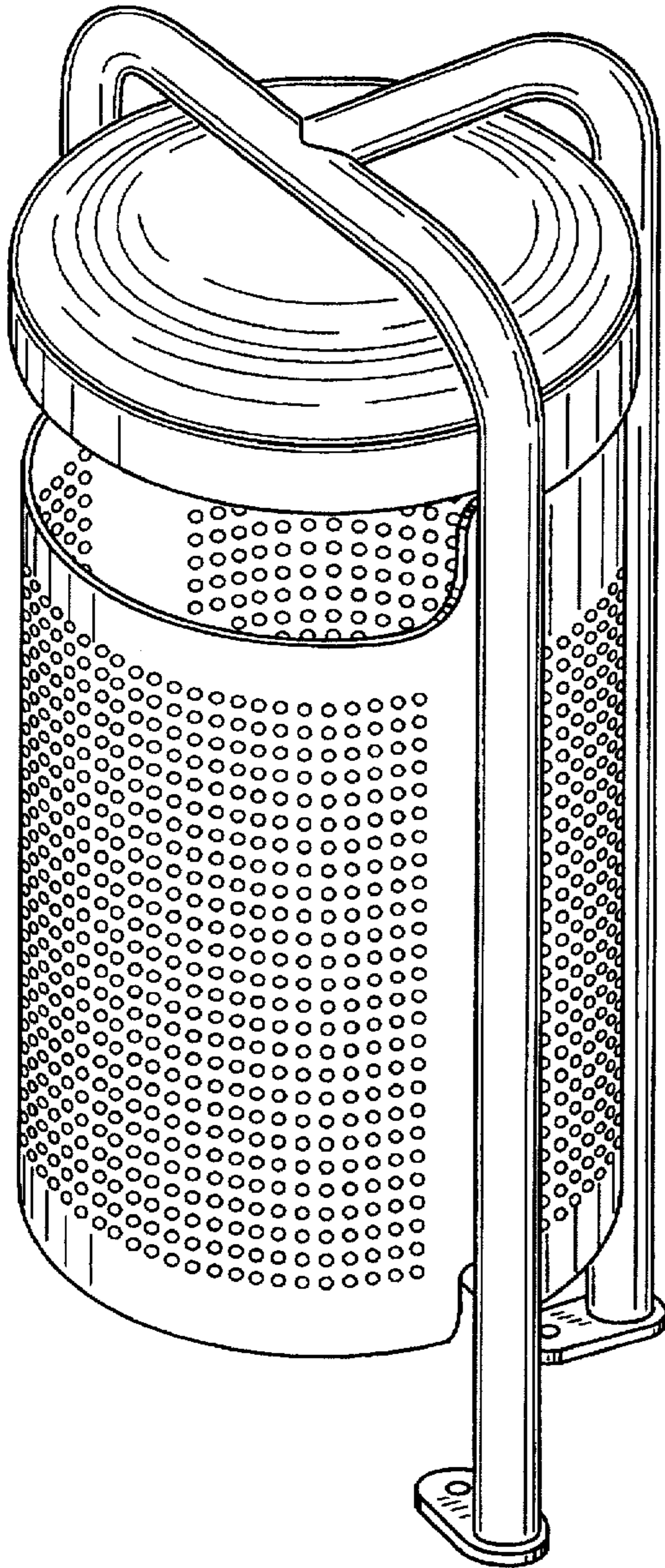


FIG. 1

FIG. 2

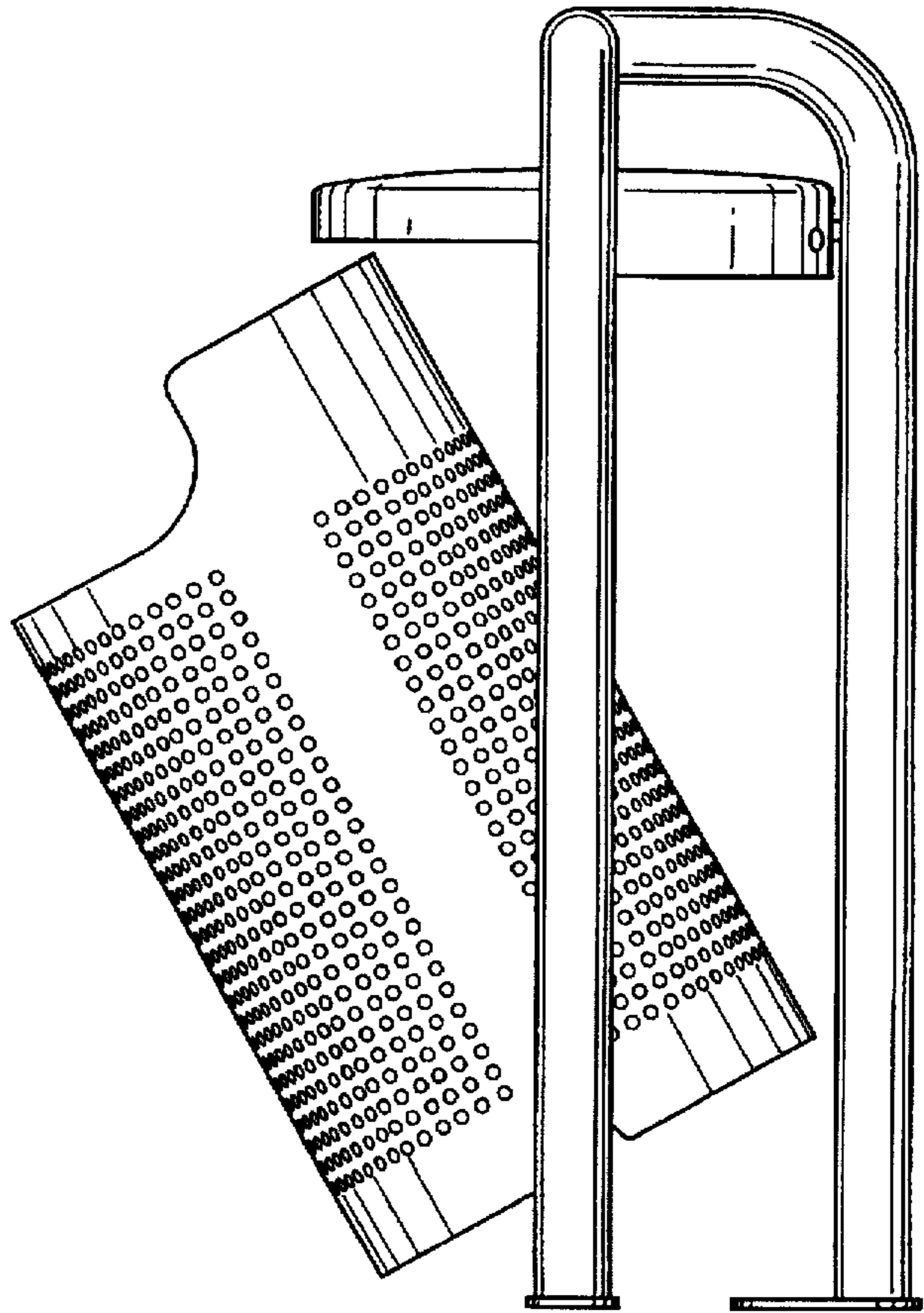


FIG. 3

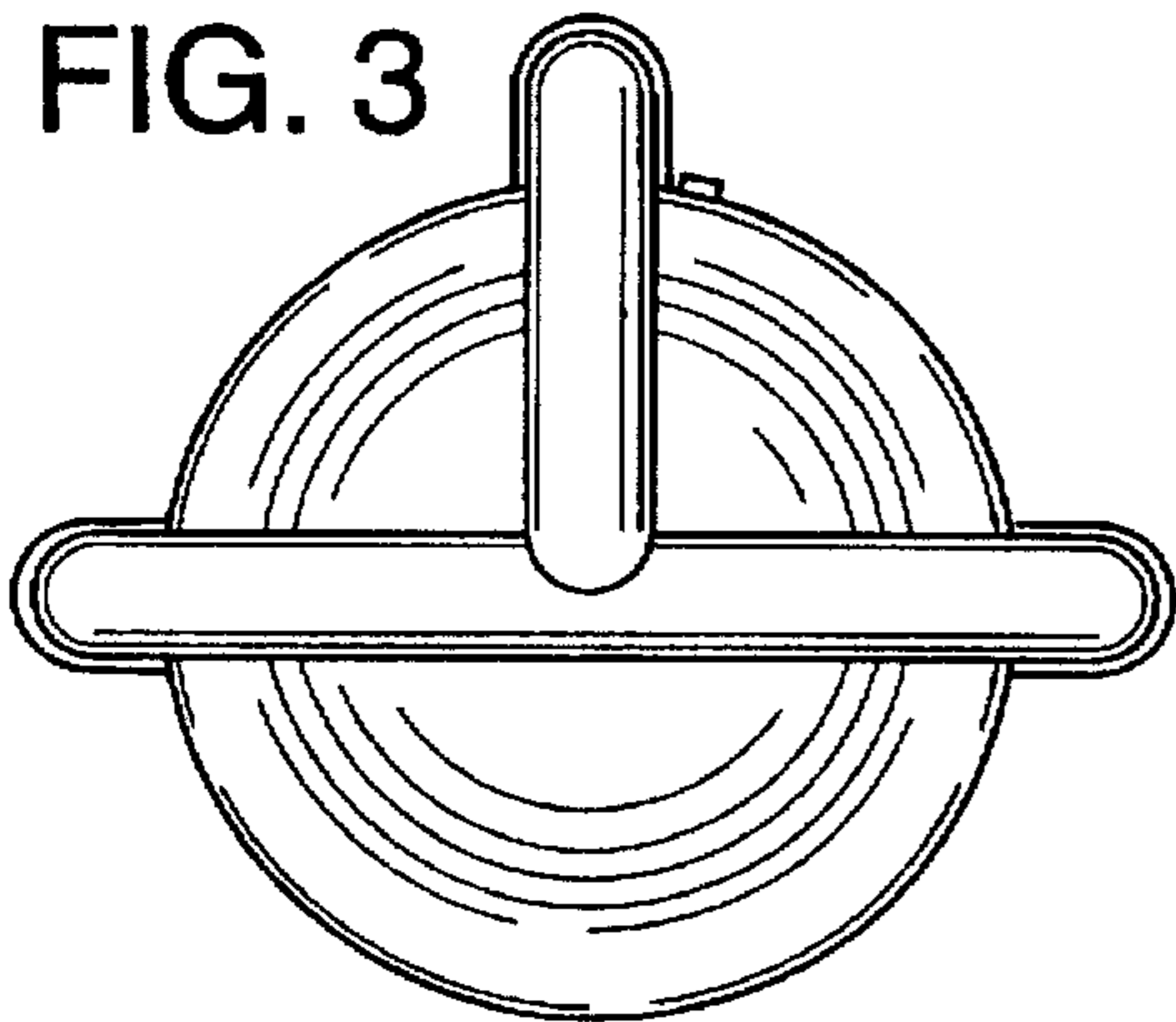
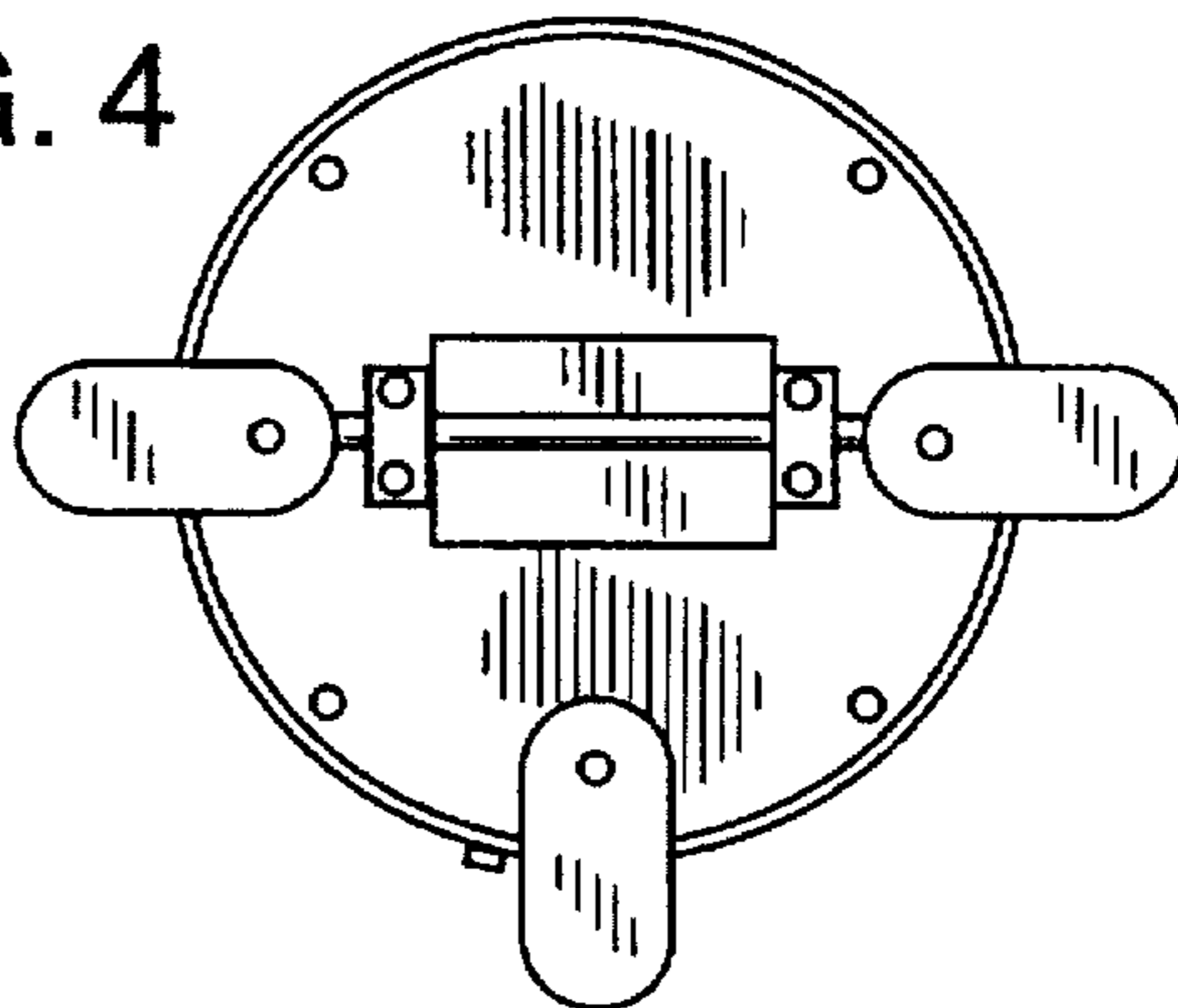


FIG. 4



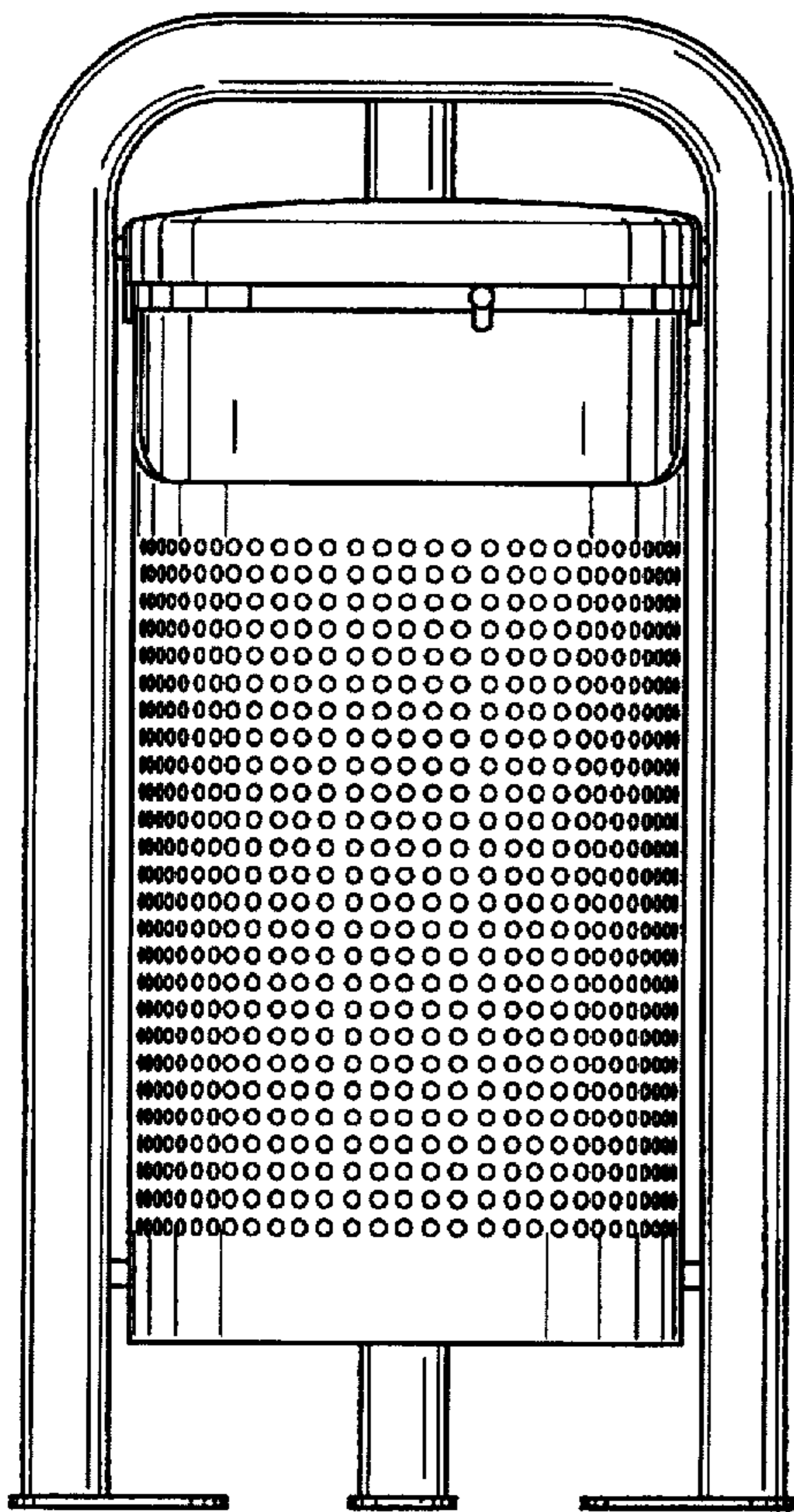


FIG. 5

FIG. 6

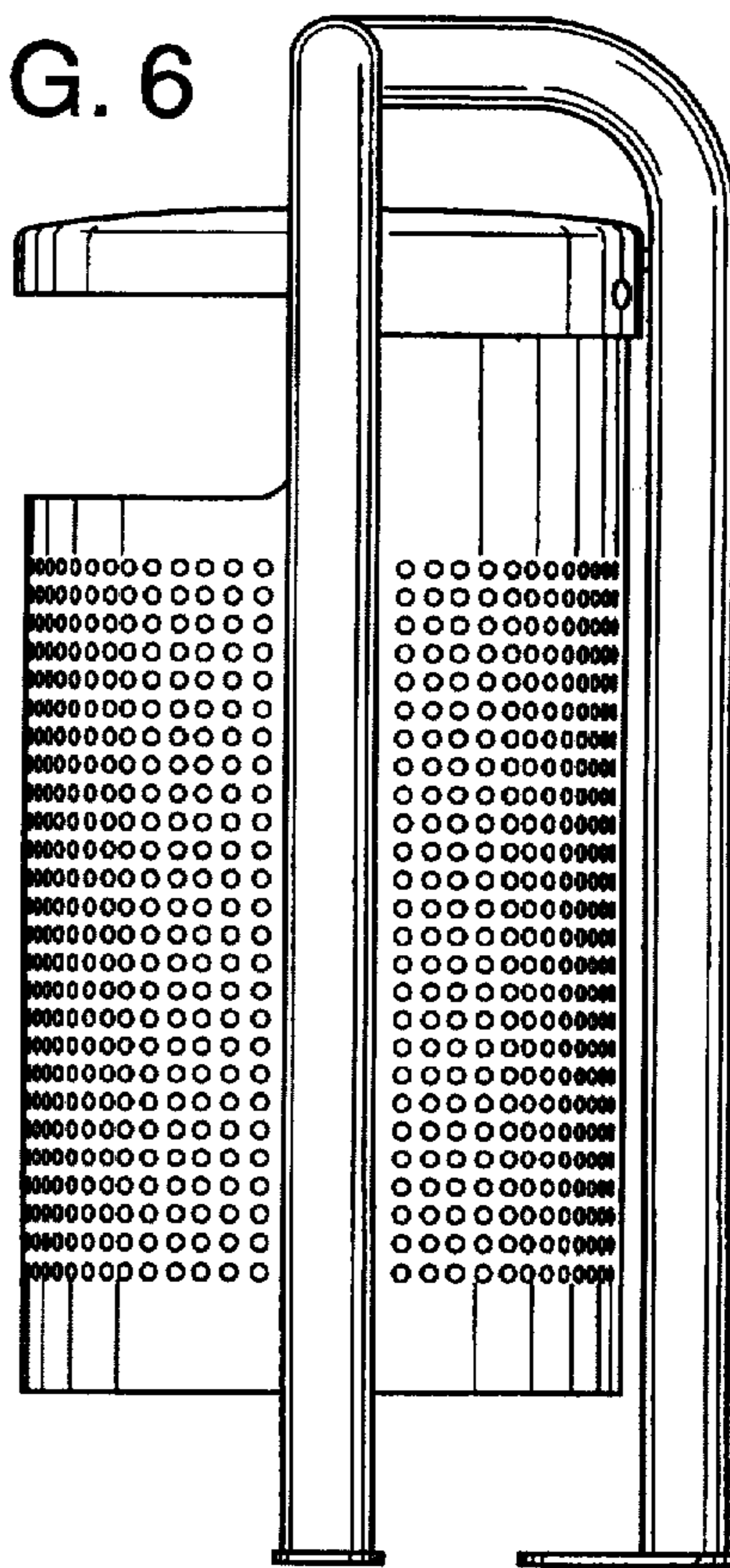


FIG. 7

