



US00D384461S

United States Patent [19] Kouvdos

[11] Patent Number: **Des. 384,461**

[45] Date of Patent: ****Sep. 30, 1997**

[54] **LEAF COLLECTION BOX**

[76] Inventor: **Eleftheria Kouvdos**, 10633 Charbono Way, Rancho Cardova, Calif. 95670

[**] Term: **14 Years**

[21] Appl. No.: **52,551**

[22] Filed: **Apr. 5, 1996**

[51] LOC (6) Cl. **09-09**

[52] U.S. Cl. **D34/1; D34/6; D3/304; D3/307**

[58] Field of Search **D34/1, 5, 6, 10; 248/95, 99, 97, 101; 220/908, 404, 403; 294/1.3, 1.5, 55; D9/424; D3/304, 309, 307**

[56] **References Cited**

U.S. PATENT DOCUMENTS

- D. 333,198 2/1993 Mann D34/5
- D. 342,816 12/1993 Diotte D34/1

- D. 345,642 3/1994 Tucker et al. D34/10
- 4,102,547 7/1978 Williams 294/1.3
- 4,270,788 6/1981 Overholt 294/55
- 5,180,125 1/1993 Caveney 248/99
- 5,498,046 3/1996 Ridley et al. 294/55

Primary Examiner—A. Hugo Word
Assistant Examiner—Robin V. Taylor

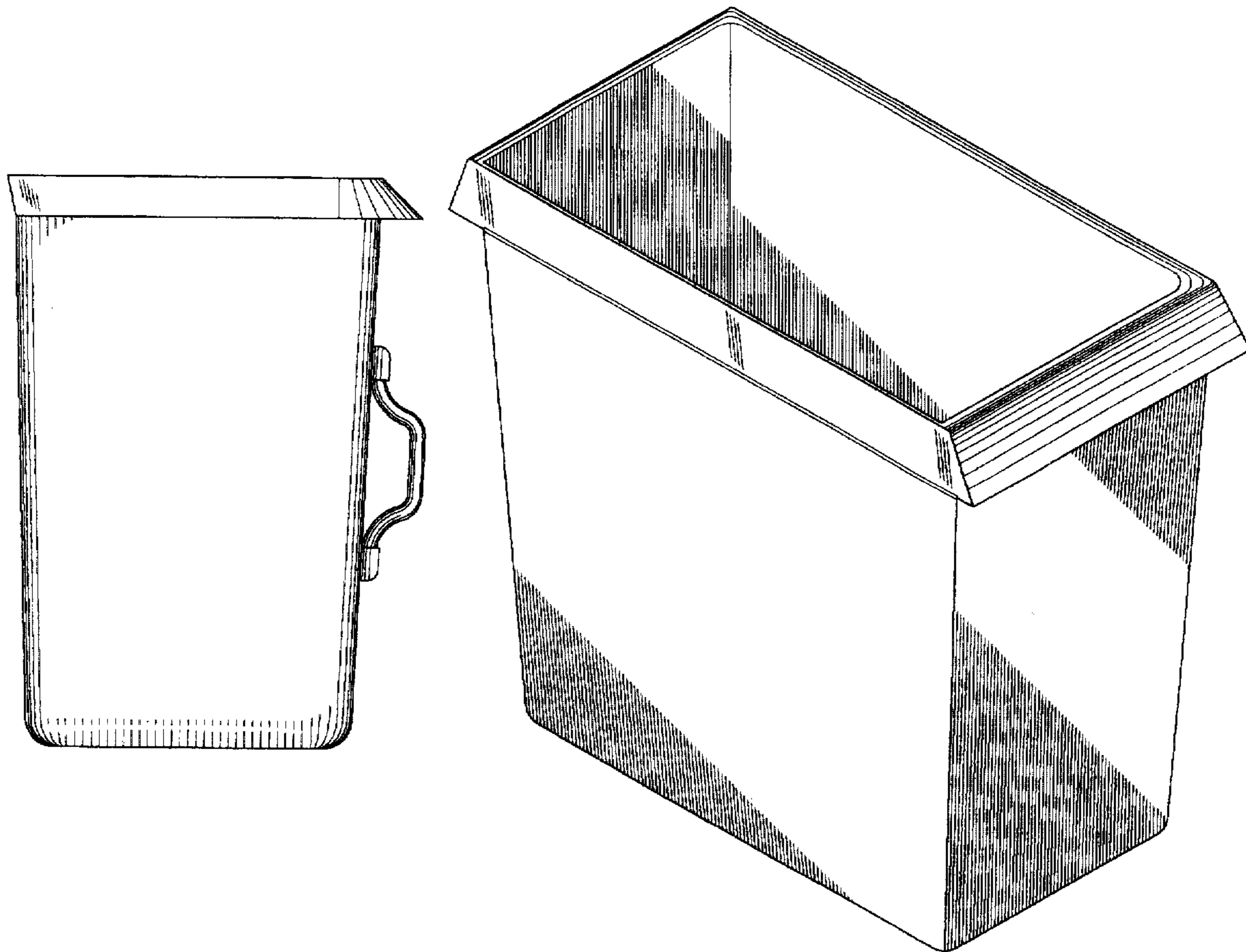
[57] **CLAIM**

The ornamental design for a leaf collection box, as shown and described.

DESCRIPTION

FIG. 1 is a front elevational view of the leaf collection box showing my new design;
FIG. 2 is a top plan view thereof;
FIG. 3 is a rear elevational view thereof;
FIG. 4 is a bottom plan view thereof;
FIG. 5 is a left side view thereof;
FIG. 6 is a right side view thereof; and,
FIG. 7 is an isometric view thereof.

1 Claim, 4 Drawing Sheets



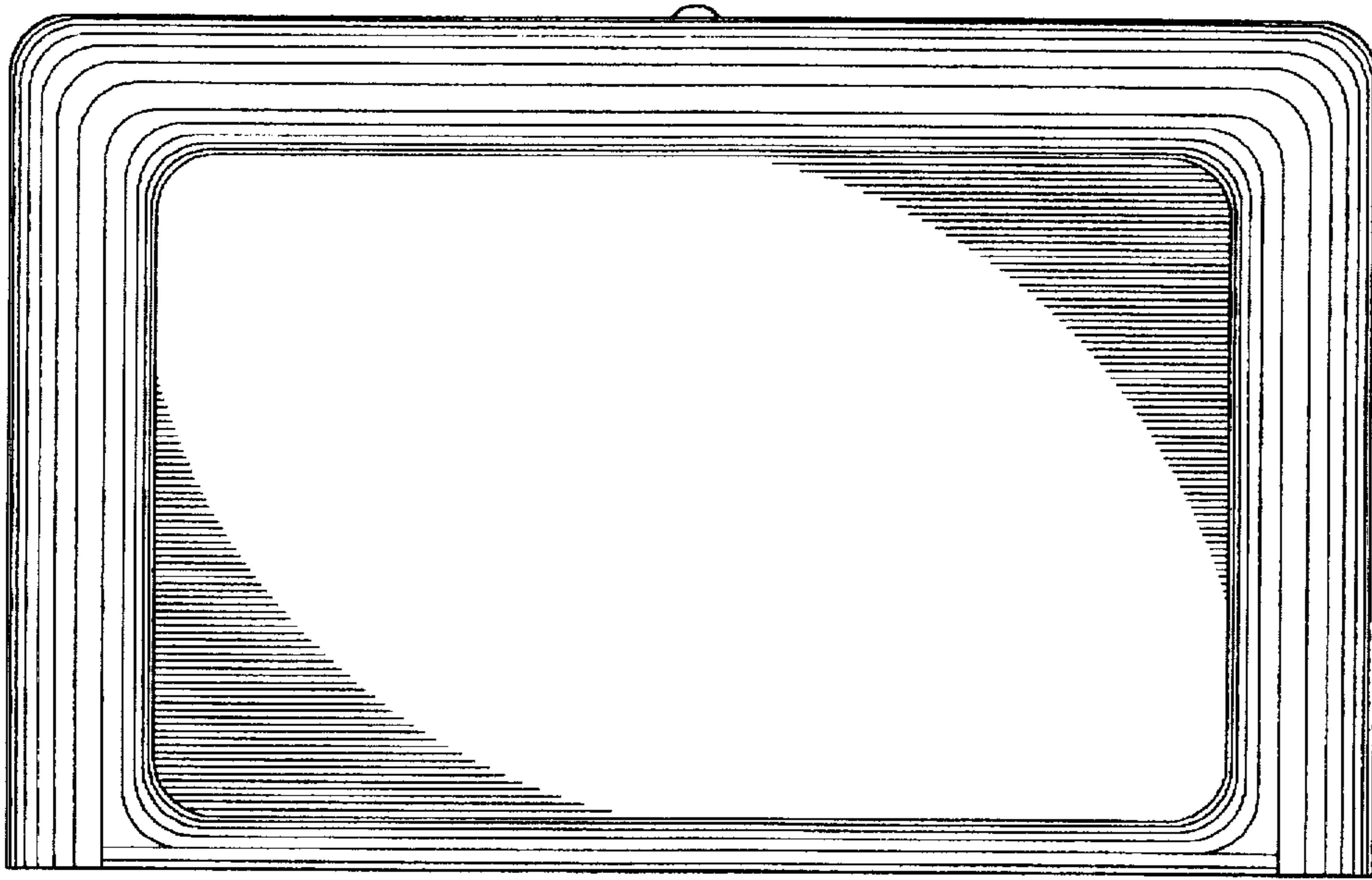


FIG. 2

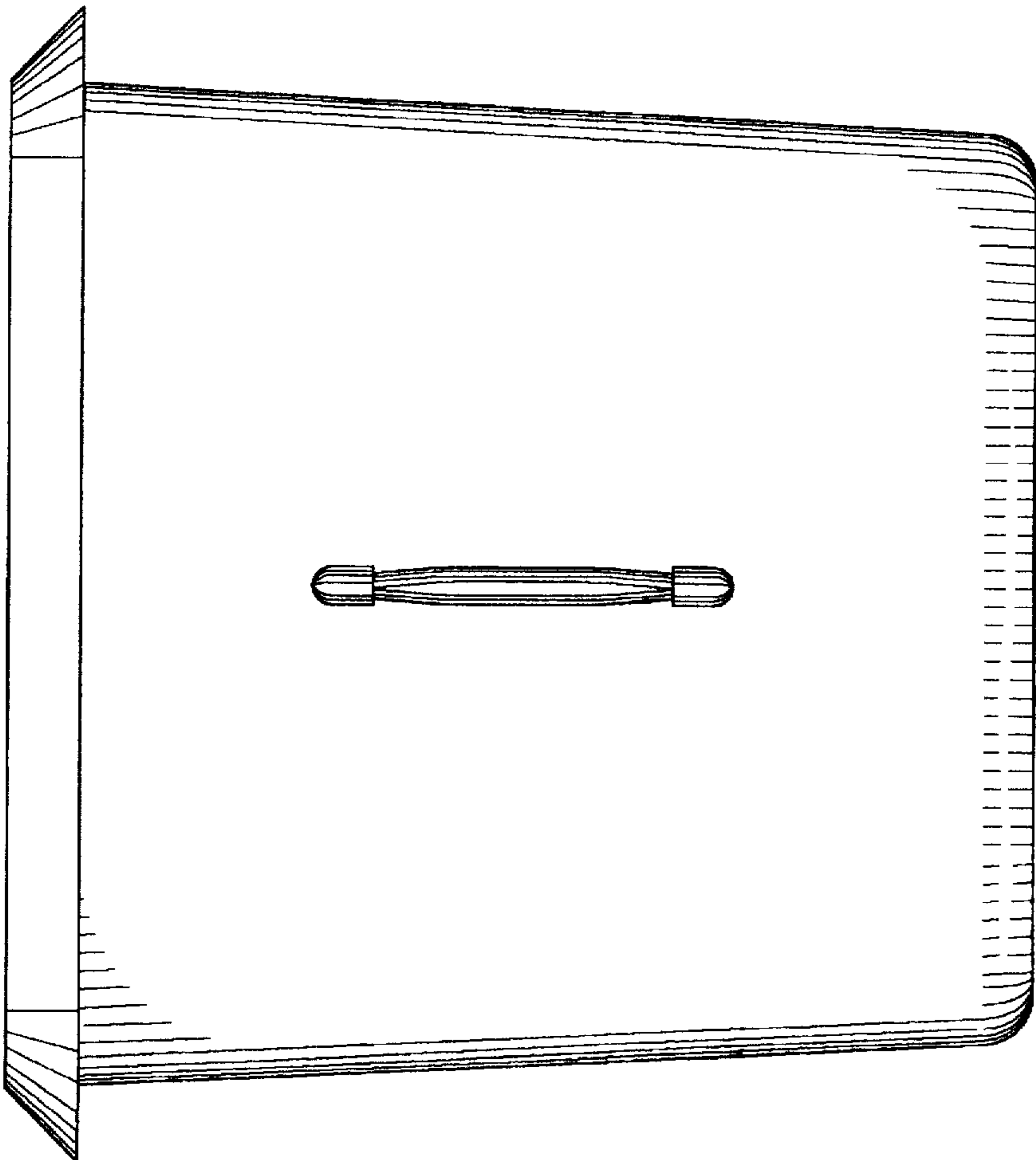


FIG. 1

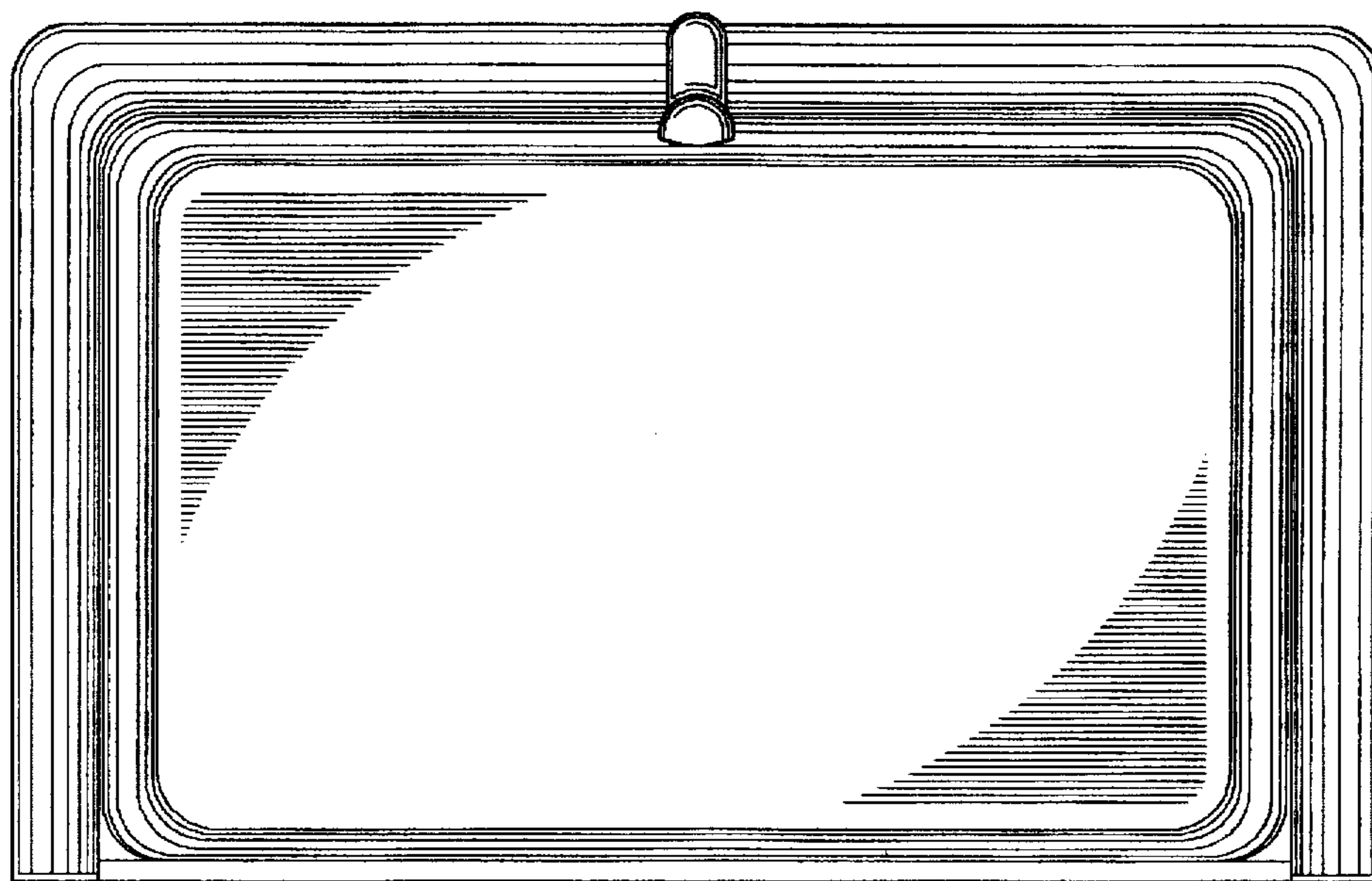


FIG. 4

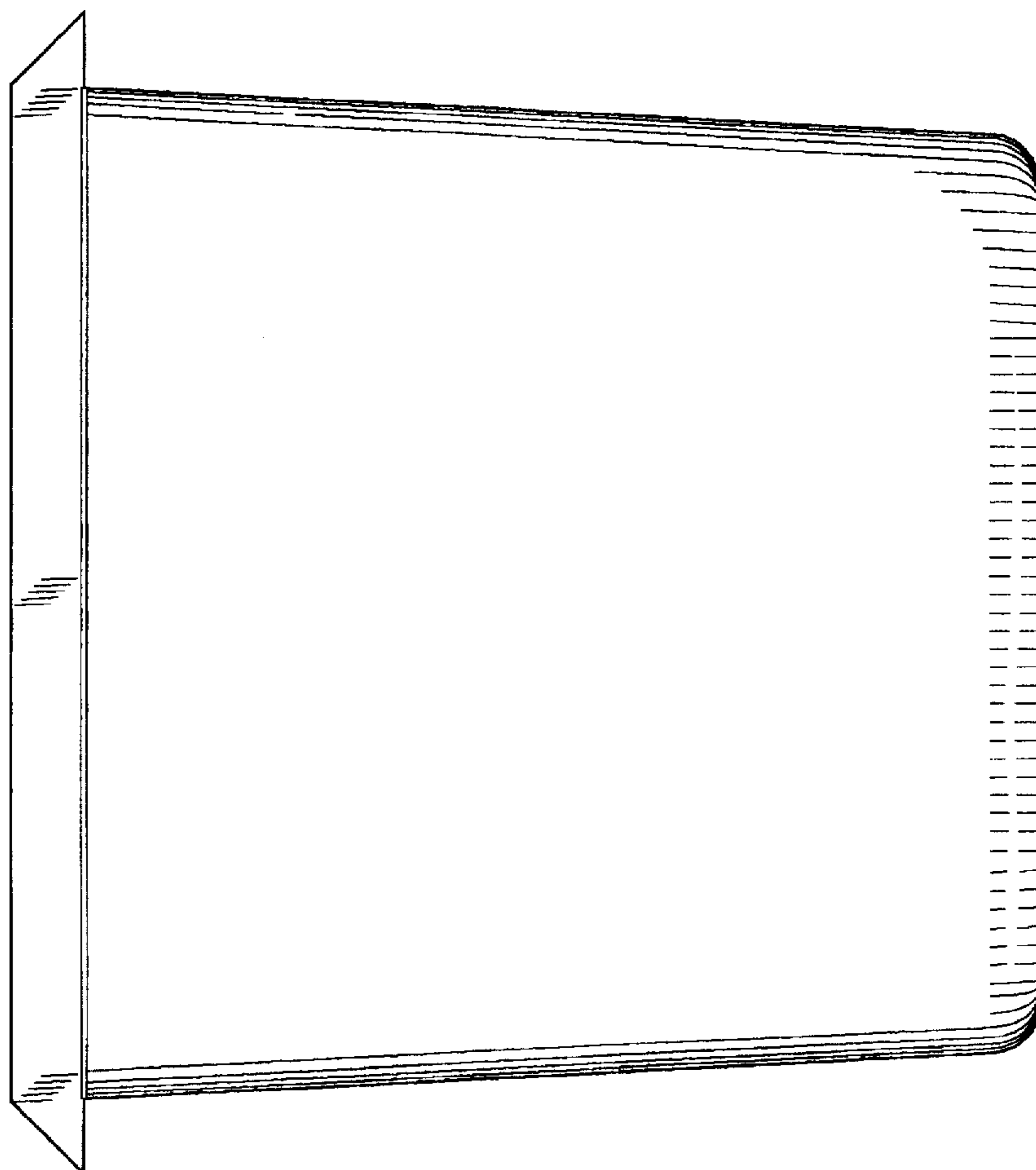


FIG. 3

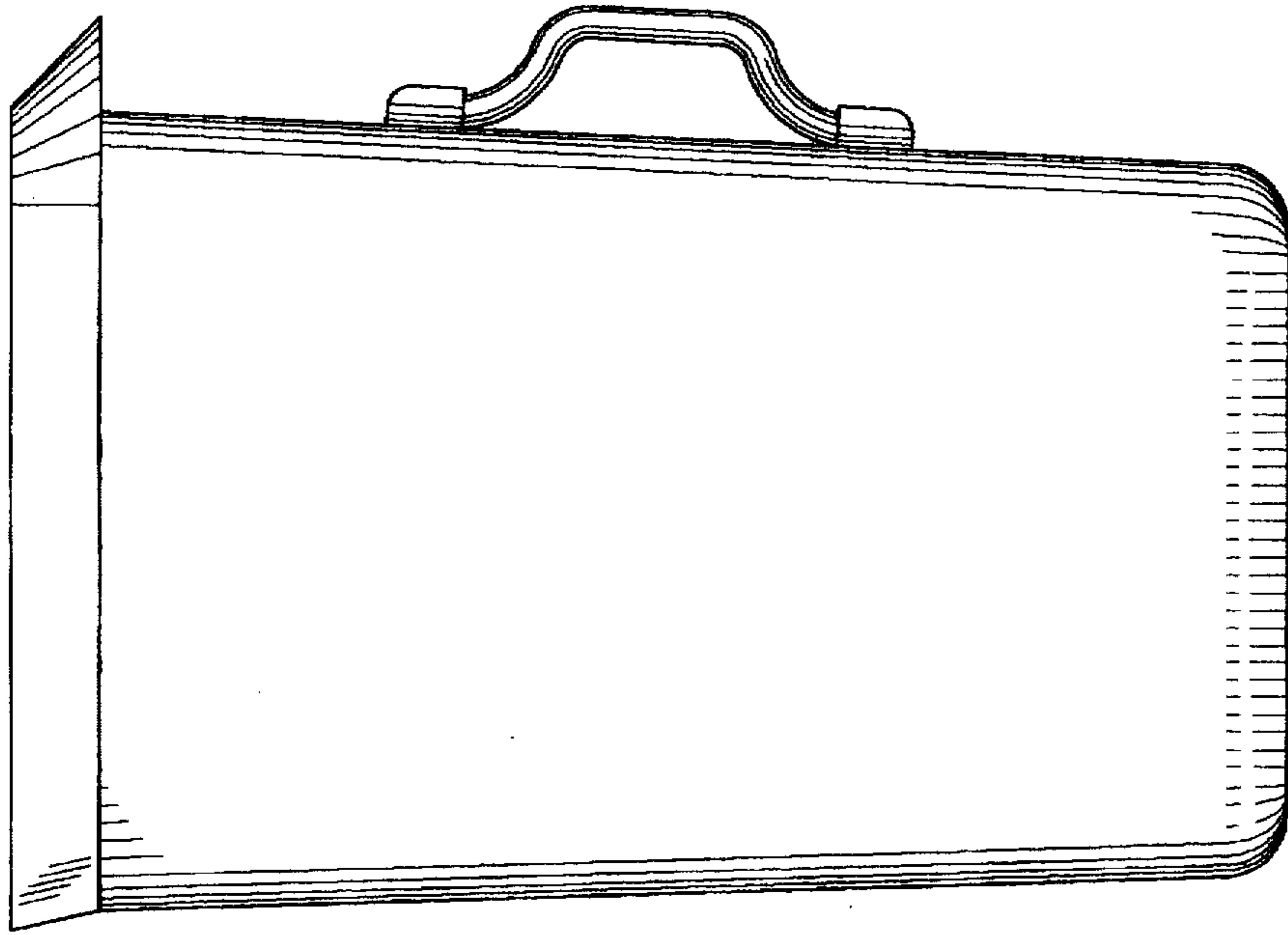


FIG. 6

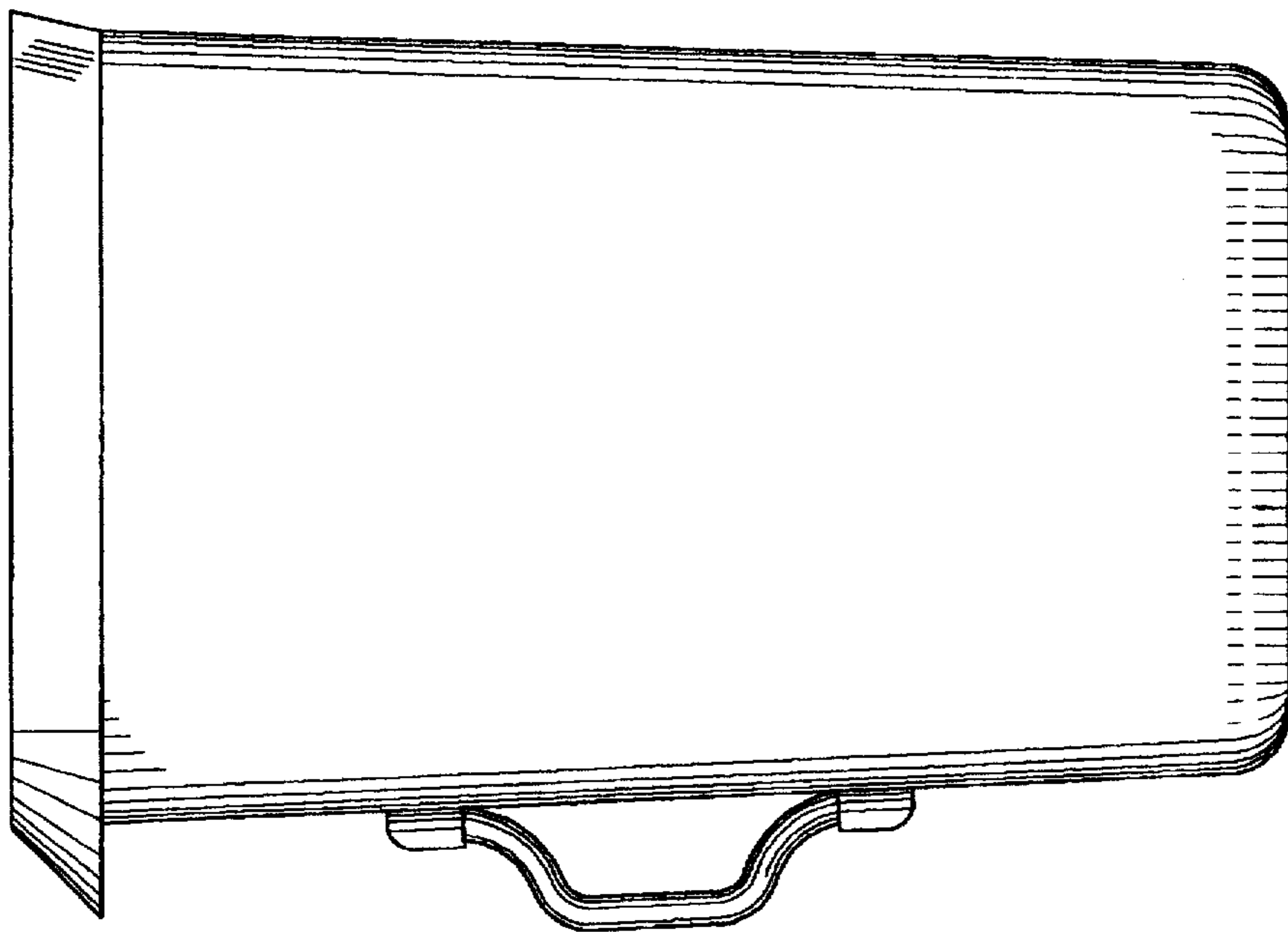


FIG. 5

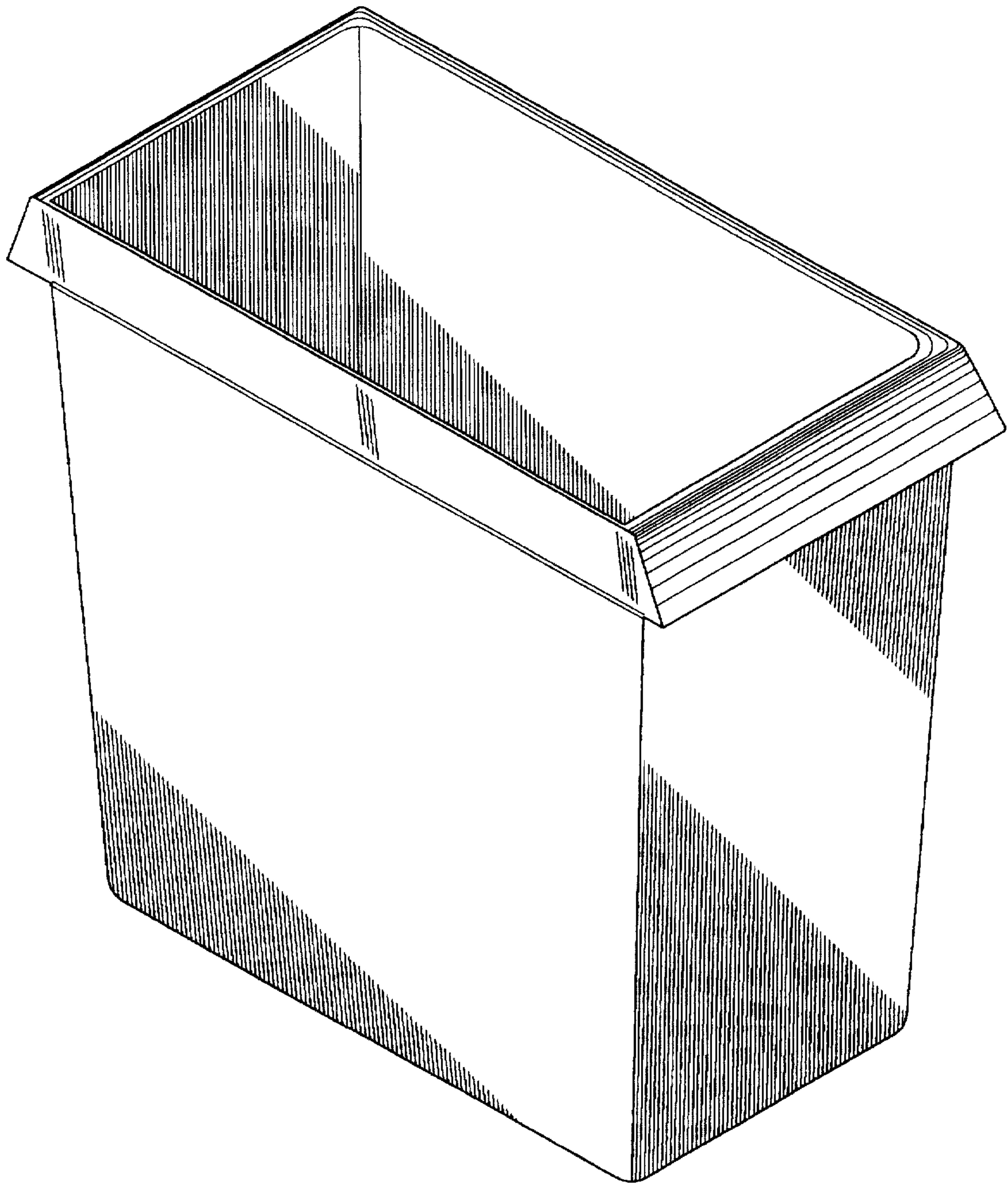


FIG. 7