



US00D384460S

# United States Patent [19] Wright

[11] Patent Number: **Des. 384,460**

[45] Date of Patent: **\*\*Sep. 30, 1997**

[54] **RECYCLING GARBAGE CAN**  
[76] Inventor: **Ramona Lee Wright, 5766 N. 99th St., Milwaukee, Wis. 53225**

[\*\*] Term: **14 Years**

[21] Appl. No.: **50,257**

[22] Filed: **Feb. 12, 1996**

[51] LOC (6) Cl. .... **09-09**

[52] U.S. Cl. .... **D34/1; D6/570**

[58] Field of Search ..... **D34/1, 5-7, 10, D34/11; 220/908, 23.2, 23.83, 23.6, 505; D6/553, 567, 559, 570; 206/503, 504, 505; 211/55; D19/75**

[56] **References Cited**

**U.S. PATENT DOCUMENTS**

- D. 142,274 4/1945 Kohen .
- D. 142,649 10/1945 Kohen .
- 668,727 2/1901 Chapman ..... 220/23.83
- 1,013,775 1/1912 Hoffman .
- 1,021,872 4/1912 Kingsbury .
- 3,343,706 9/1967 Berend .
- 3,389,830 6/1968 Smith .
- 4,139,114 2/1979 Long et al. .
- 4,988,010 1/1991 Pollak .
- 5,054,617 10/1991 Young et al. .
- 5,085,328 2/1992 Evenson ..... 211/55
- 5,092,480 3/1992 Waterston .

- 5,111,951 5/1992 Breen et al. .
- 5,167,342 12/1992 Merritt ..... 220/23.83
- 5,181,297 1/1993 Andrews et al. .... D34/11
- 5,183,278 2/1993 Wade, Jr. .
- 5,238,301 8/1993 Brady .
- 5,242,071 9/1993 Goebel .
- 5,409,128 4/1995 Mitchell .

*Primary Examiner*—A. Hugo Word  
*Assistant Examiner*—Robin V. Taylor  
*Attorney, Agent, or Firm*—Richard C. Litman

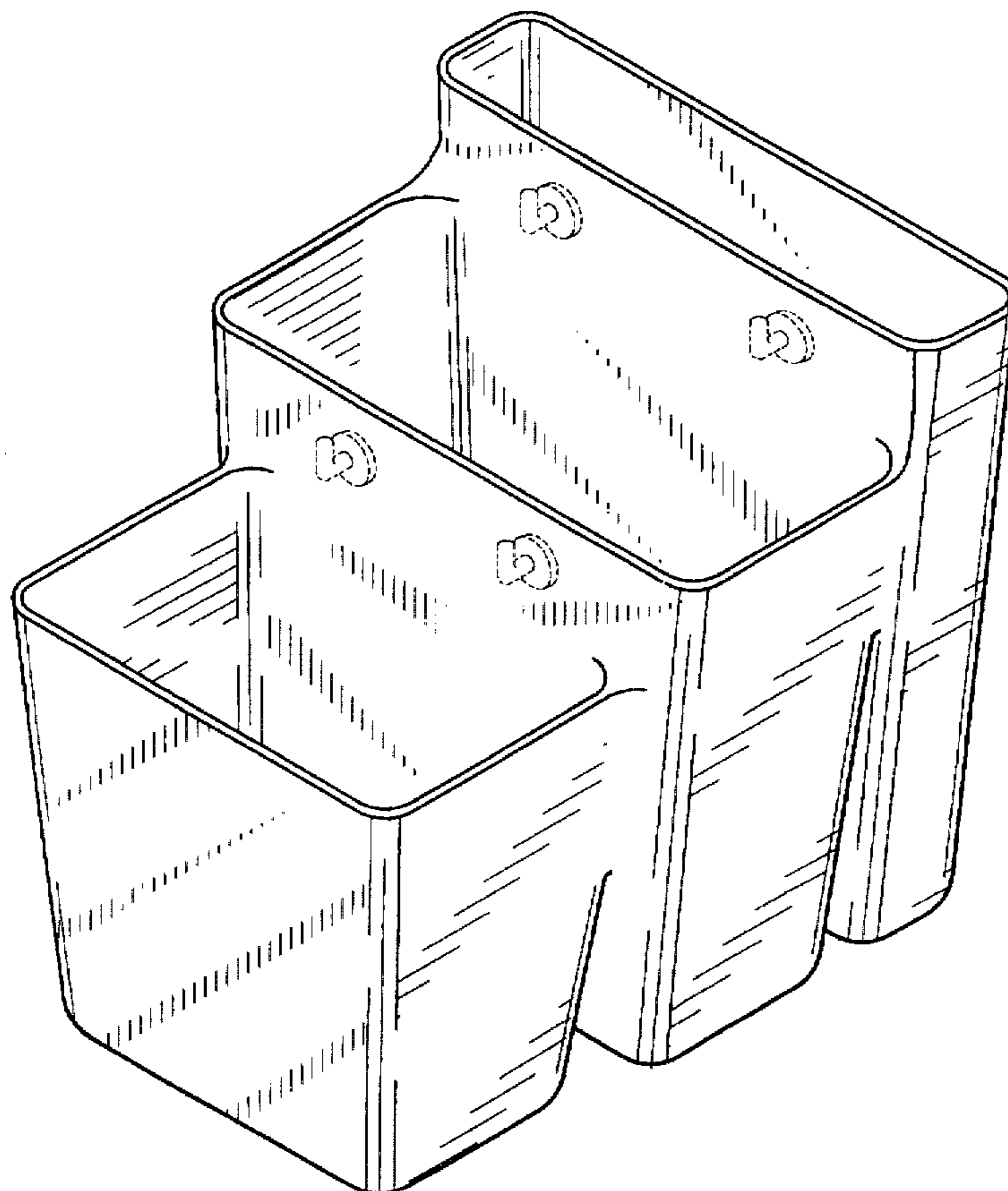
[57] **CLAIM**

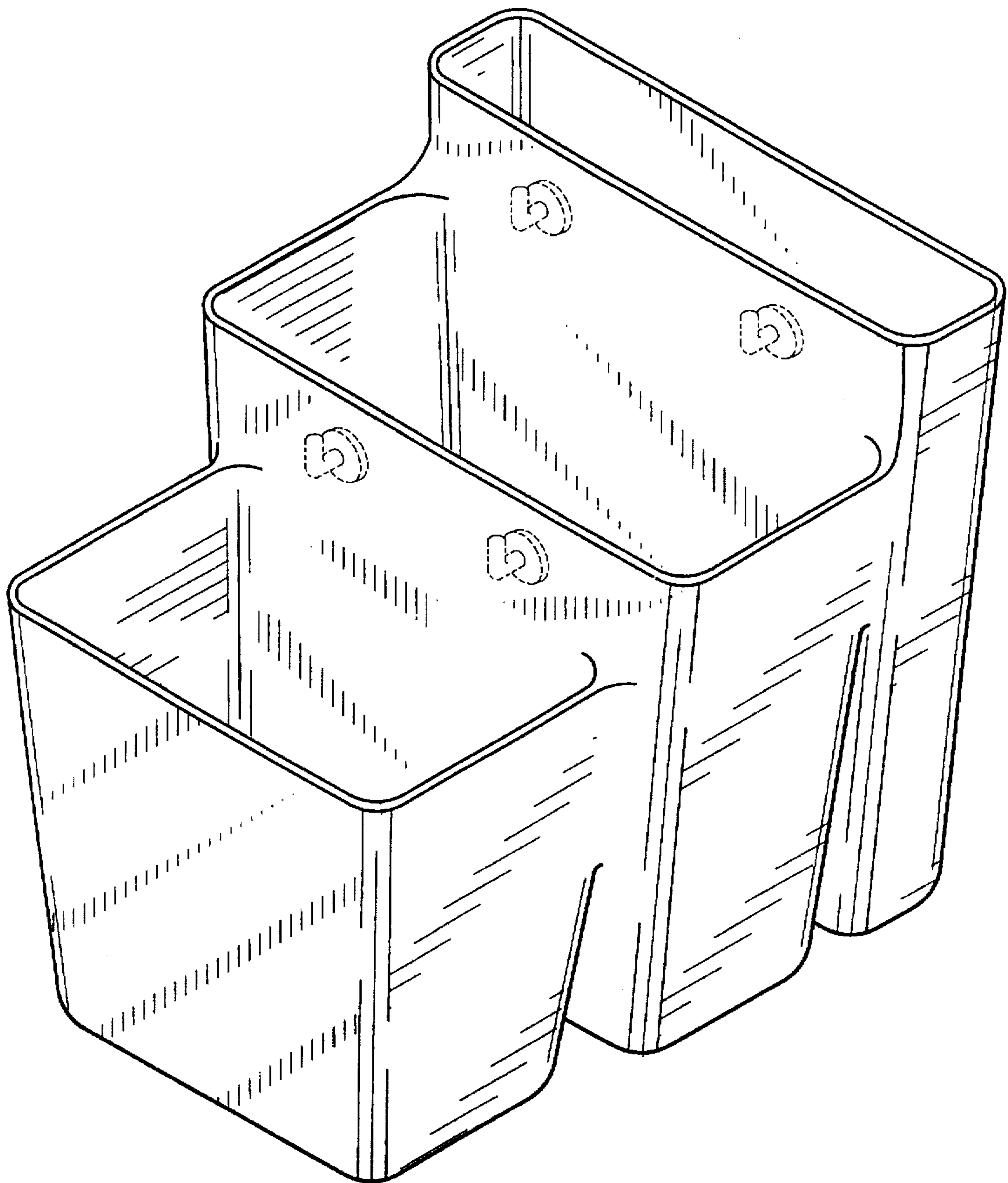
The ornamental design for a recycling garbage can, as shown and described.

**DESCRIPTION**

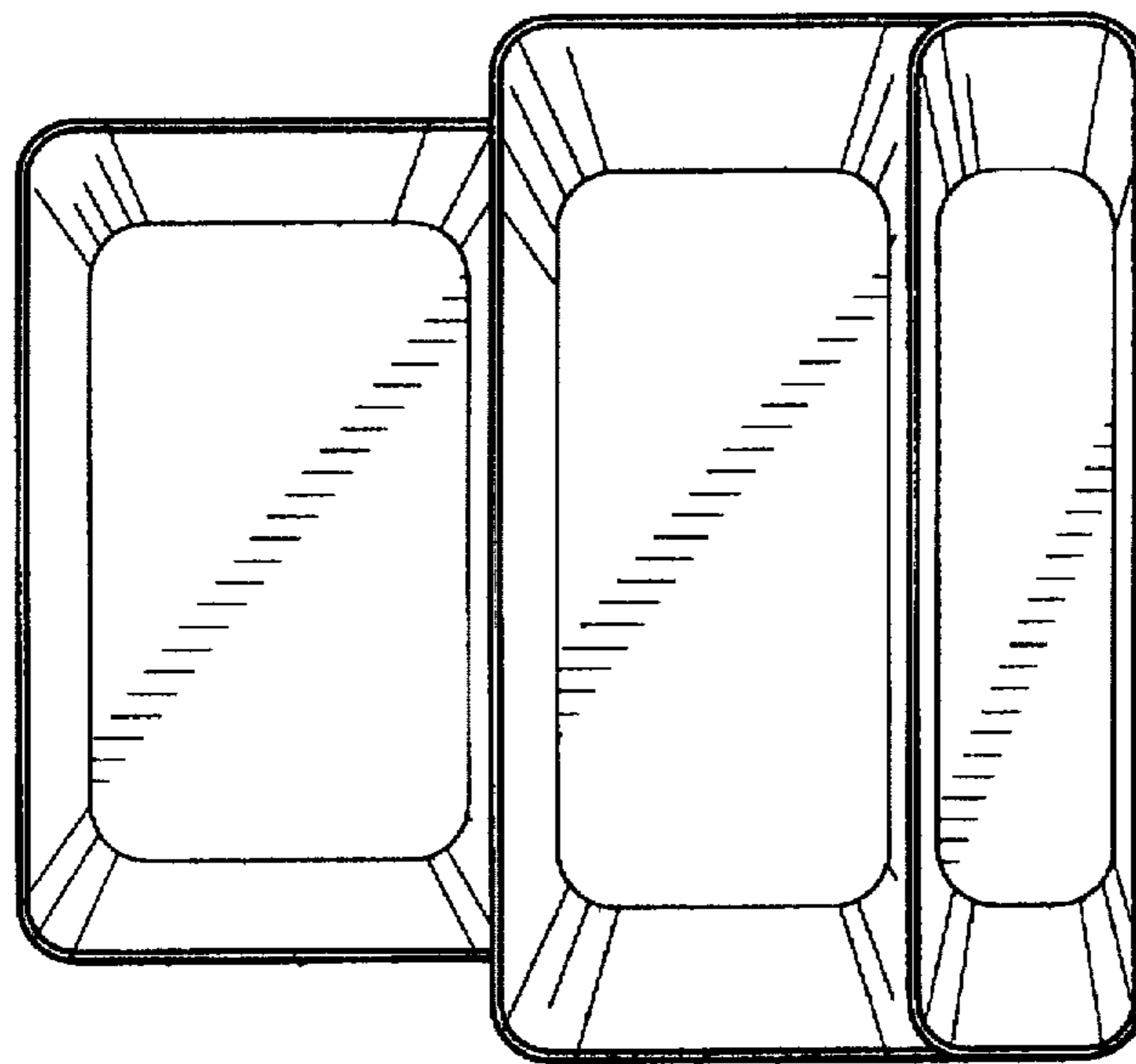
FIG. 1 is an environmental perspective view of a recycling garbage can showing my new design;  
FIG. 2 is a top plan view thereof;  
FIG. 3 is an environmental left side elevational view with the right side being a mirror image thereof;  
FIG. 4 is a rear elevational view thereof;  
FIG. 5 is an environmental front elevational view thereof;  
and,  
FIG. 6 is a bottom plan view thereof.  
The broken line showing of the hooks in FIGS. 1, 3, and 5 is for illustrative purposes only and forms no part of the claimed design.

**1 Claim, 3 Drawing Sheets**

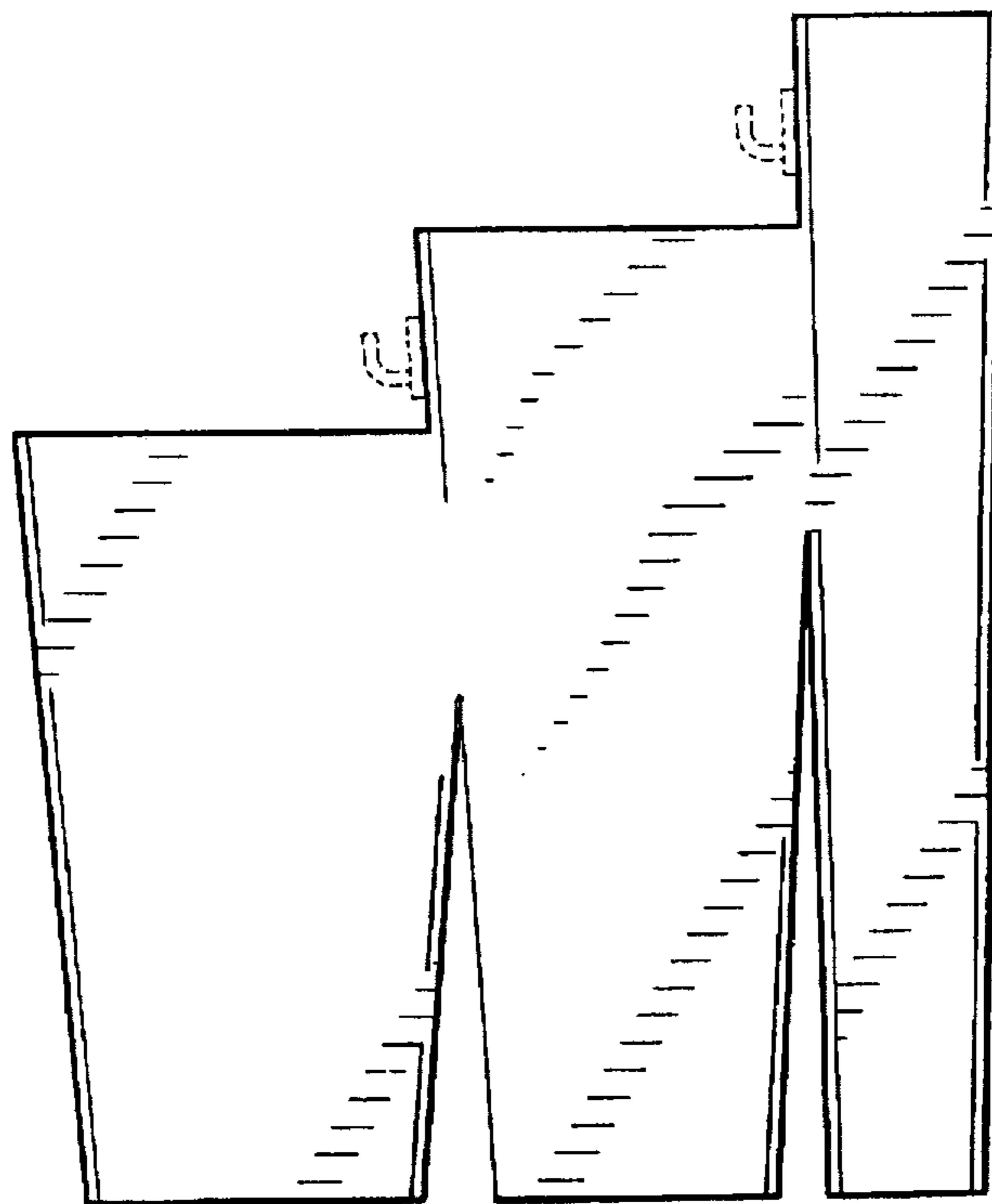




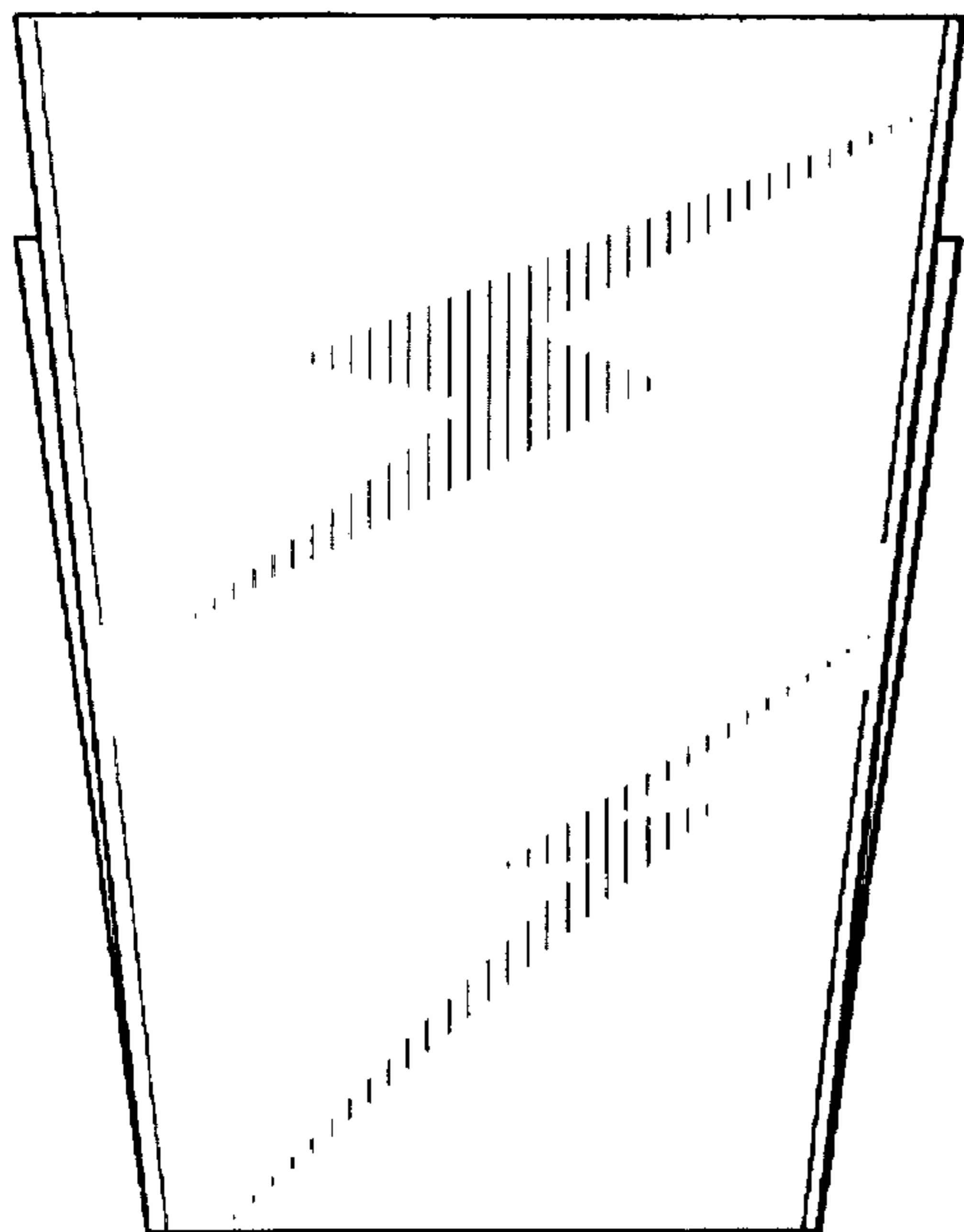
*Fig. 1*



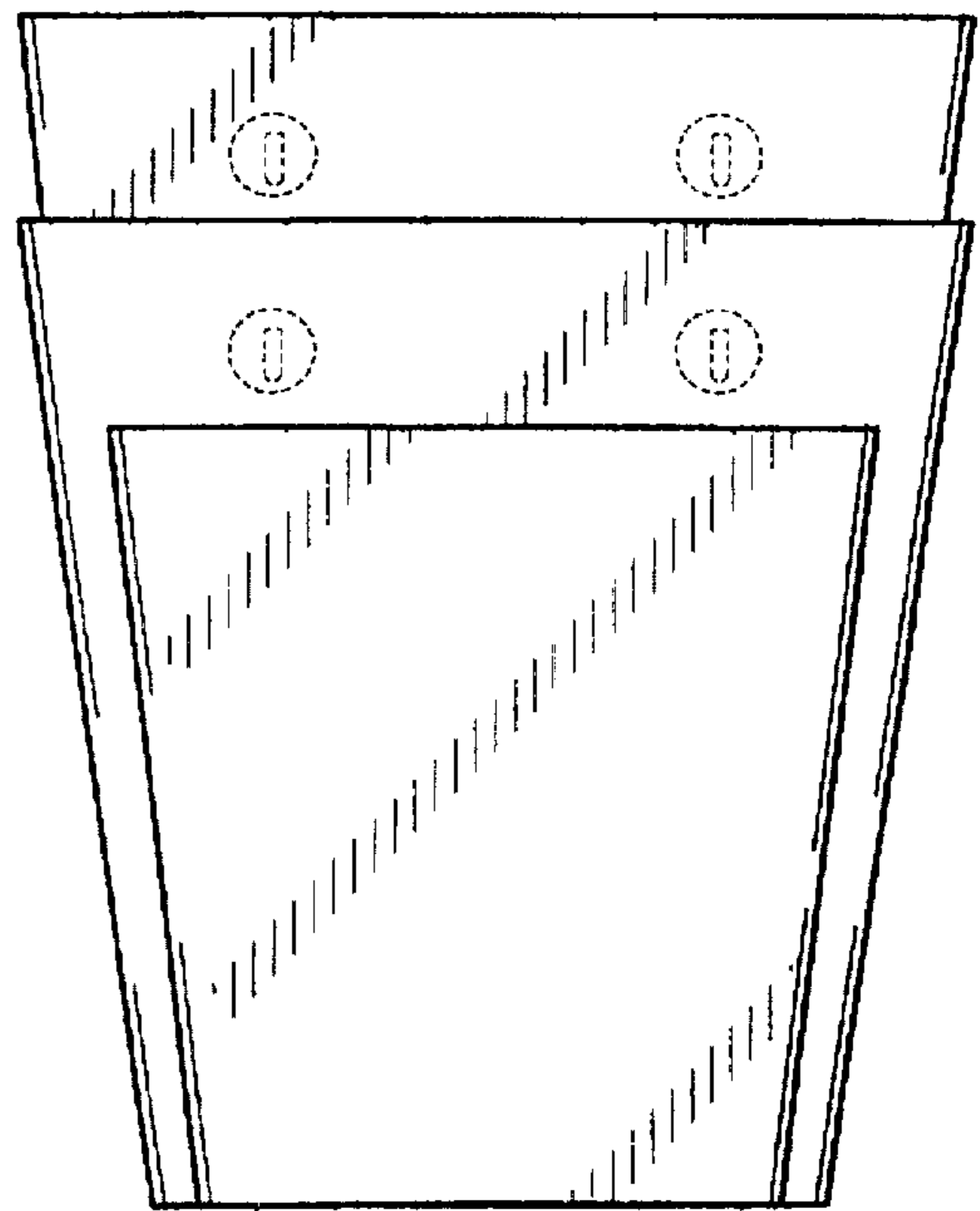
*Fig. 2*



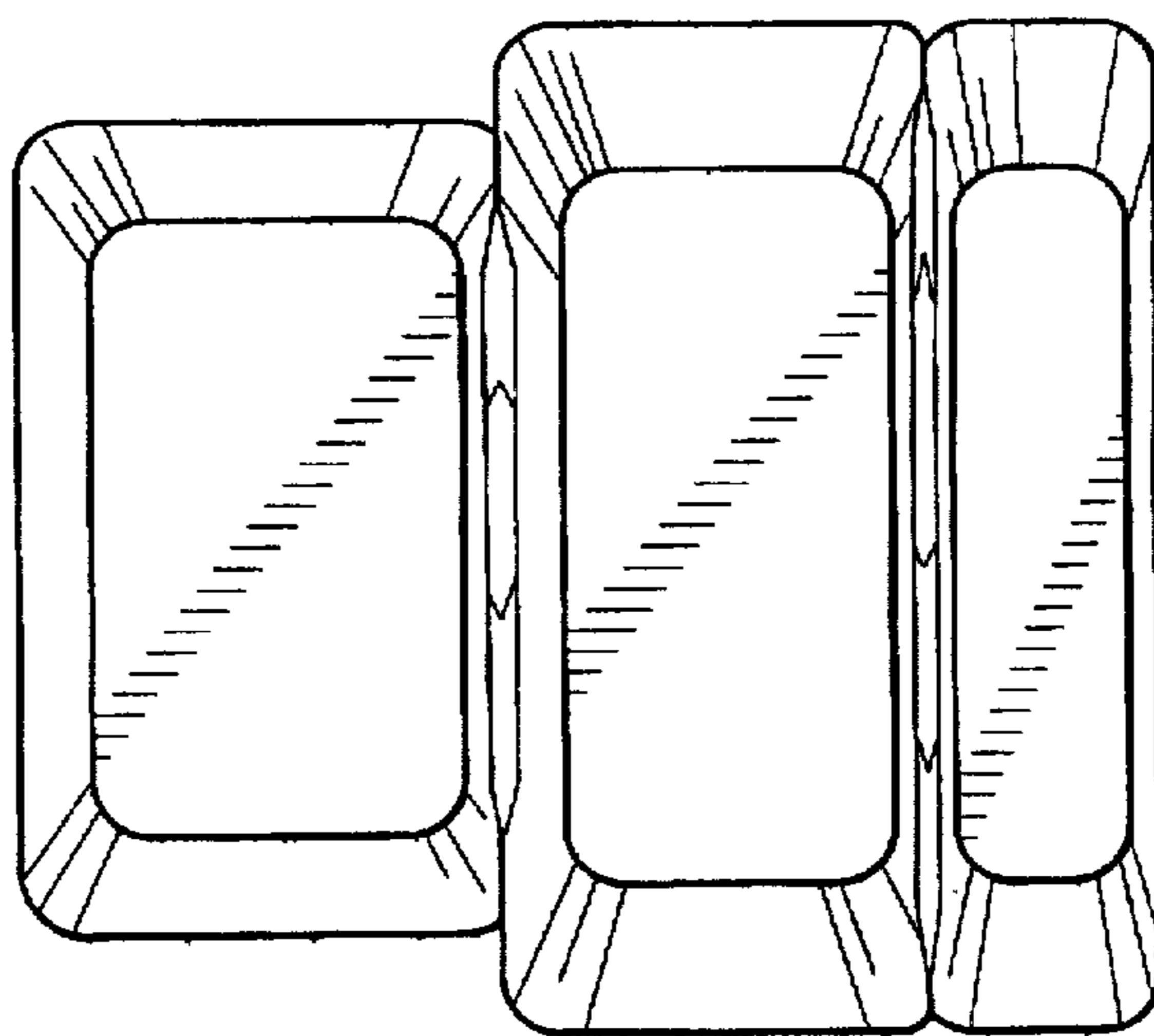
*Fig. 3*



*Fig. 4*



*Fig. 5*



*Fig. 6*