

US00D384449S

# United States Patent [19]

Vipond et al.

[11] Patent Number: **Des. 384,449**

[45] Date of Patent: **\*\*Sep. 30, 1997**

[54] **BLOWER OUTLET FITTING**

[75] Inventors: **Edward W. Vipond, Gardner; Robert W. Shaffer, II**, East Templeton, both of Mass.

[73] Assignee: **Tuthill Corporation**, Millbury, Mass.

[\*\*] Term: **14 Years**

[21] Appl. No.: **54,803**

[22] Filed: **May 22, 1996**

[51] LOC (6) Cl. .... **15-05**

[52] U.S. Cl. .... **D32/25; D32/15**

[58] Field of Search ..... **D32/15, 25, 32, D32/33; 15/415.1, 416, 410, 330, 420**

[56] **References Cited**

**U.S. PATENT DOCUMENTS**

- D. 346,049 4/1994 Iida ..... D32/15
- D. 359,603 6/1995 Rakocy et al. .... D32/15
- 5,535,479 7/1996 Pink et al. .... 15/330 X

*Primary Examiner*—Sandra L. Morris  
*Assistant Examiner*—Mitchell J. Siegel  
*Attorney, Agent, or Firm*—Samuels, Gauthier, Stevens & Reppert

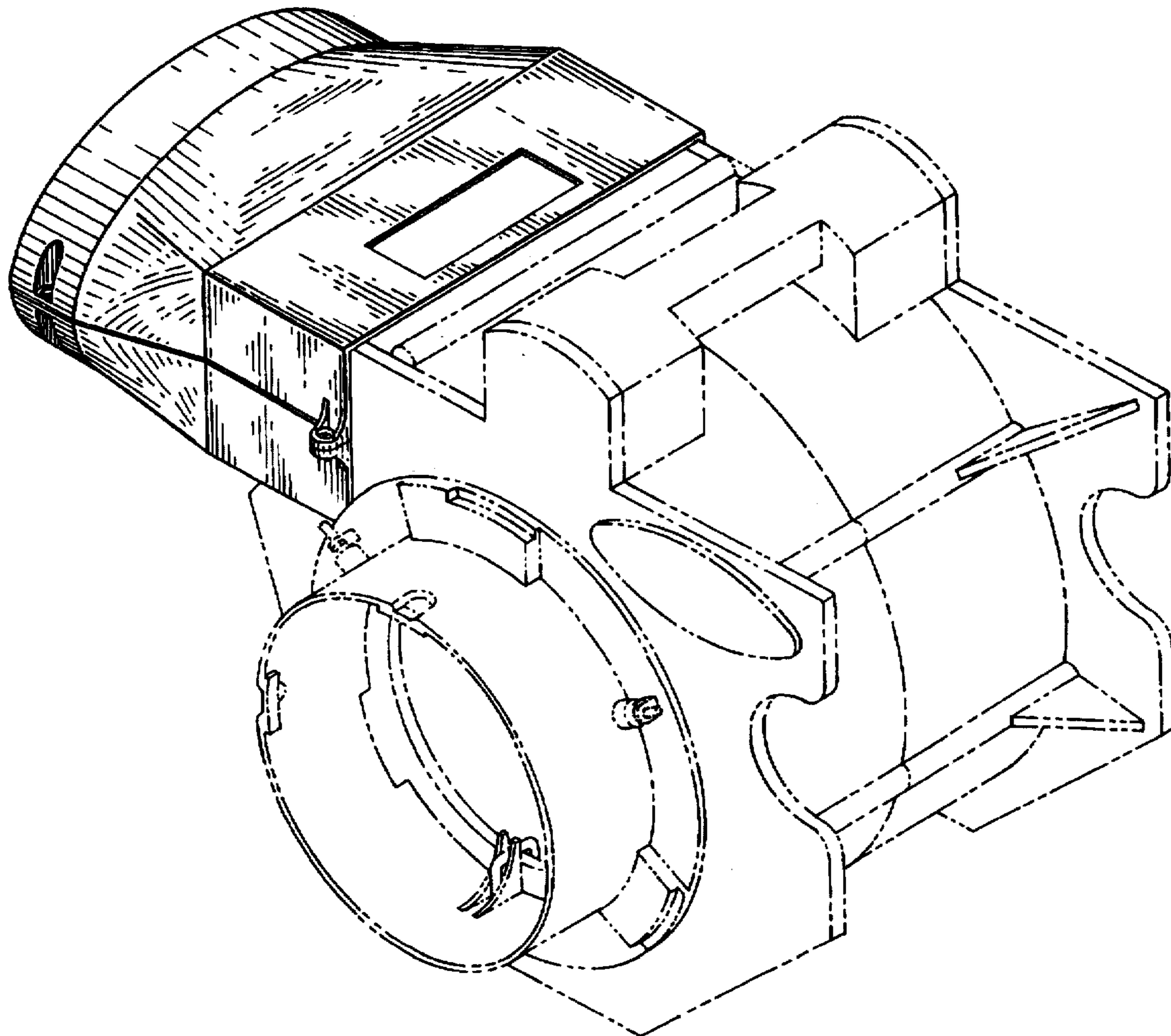
[57] **CLAIM**

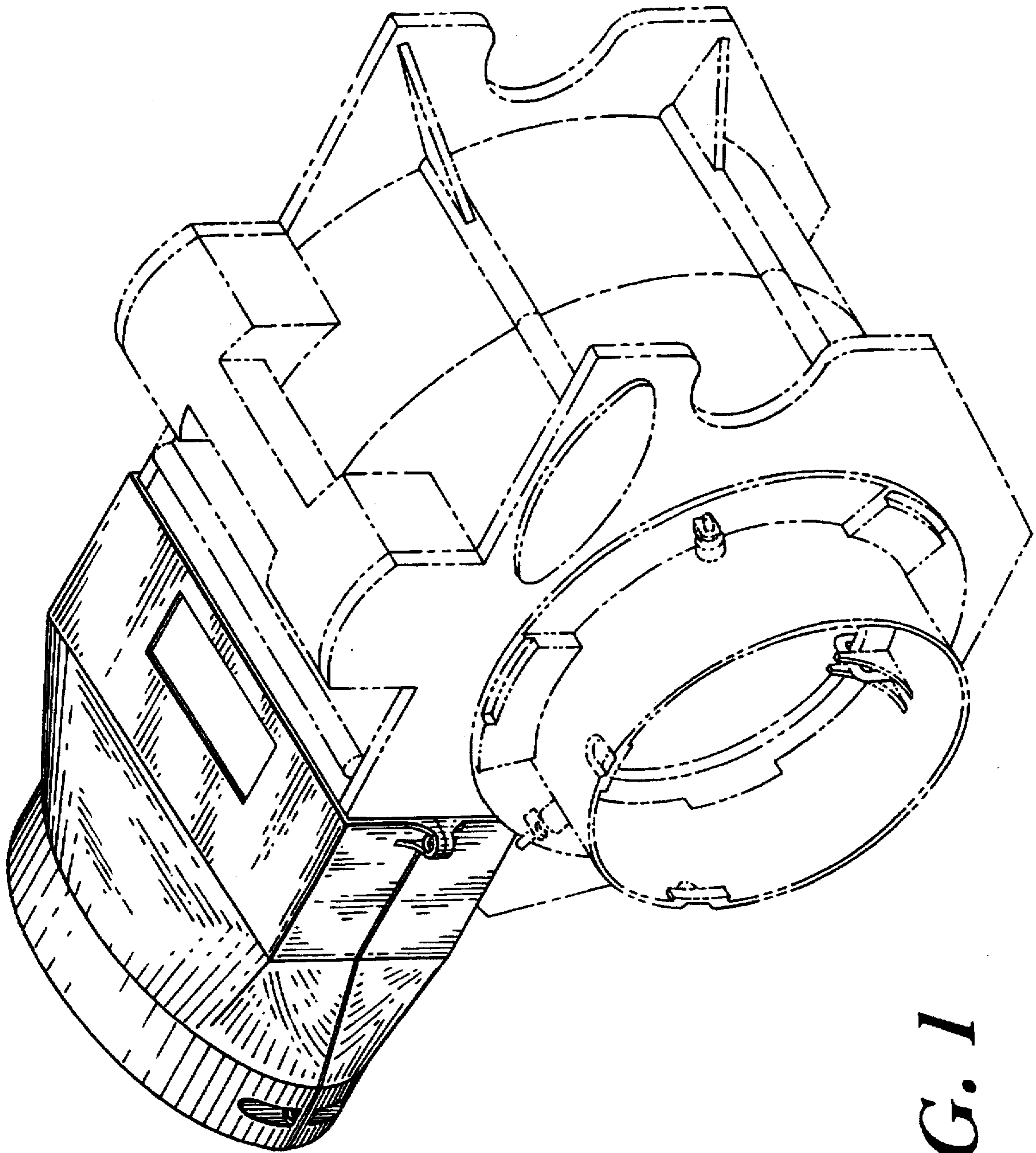
The ornamental design for a blower outlet fitting, as shown and described.

**DESCRIPTION**

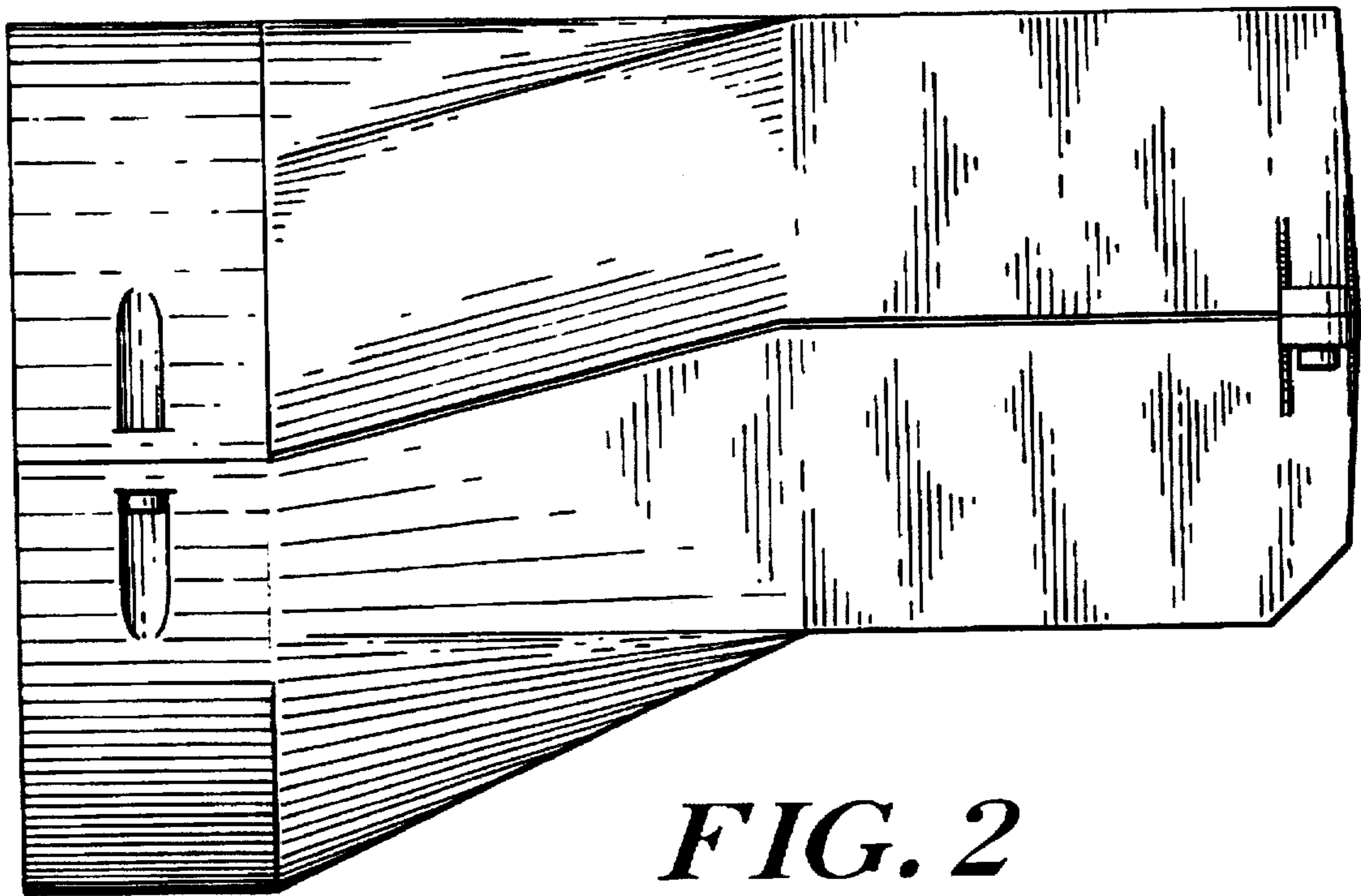
FIG. 1 is a perspective view of a blower outlet fitting showing my new design;  
FIG. 2 is a side elevational view, the opposite side being a mirror image thereof;  
FIG. 3 is a front elevational view thereof;  
FIG. 4 is a rear elevational view thereof;  
FIG. 5 is a top plan view thereof; and,  
FIG. 6 is a bottom plan view thereof.  
The broken line showing of the blower in FIG. 1 is for illustrative purposes only and forms no part of the claimed design.

**1 Claim, 4 Drawing Sheets**

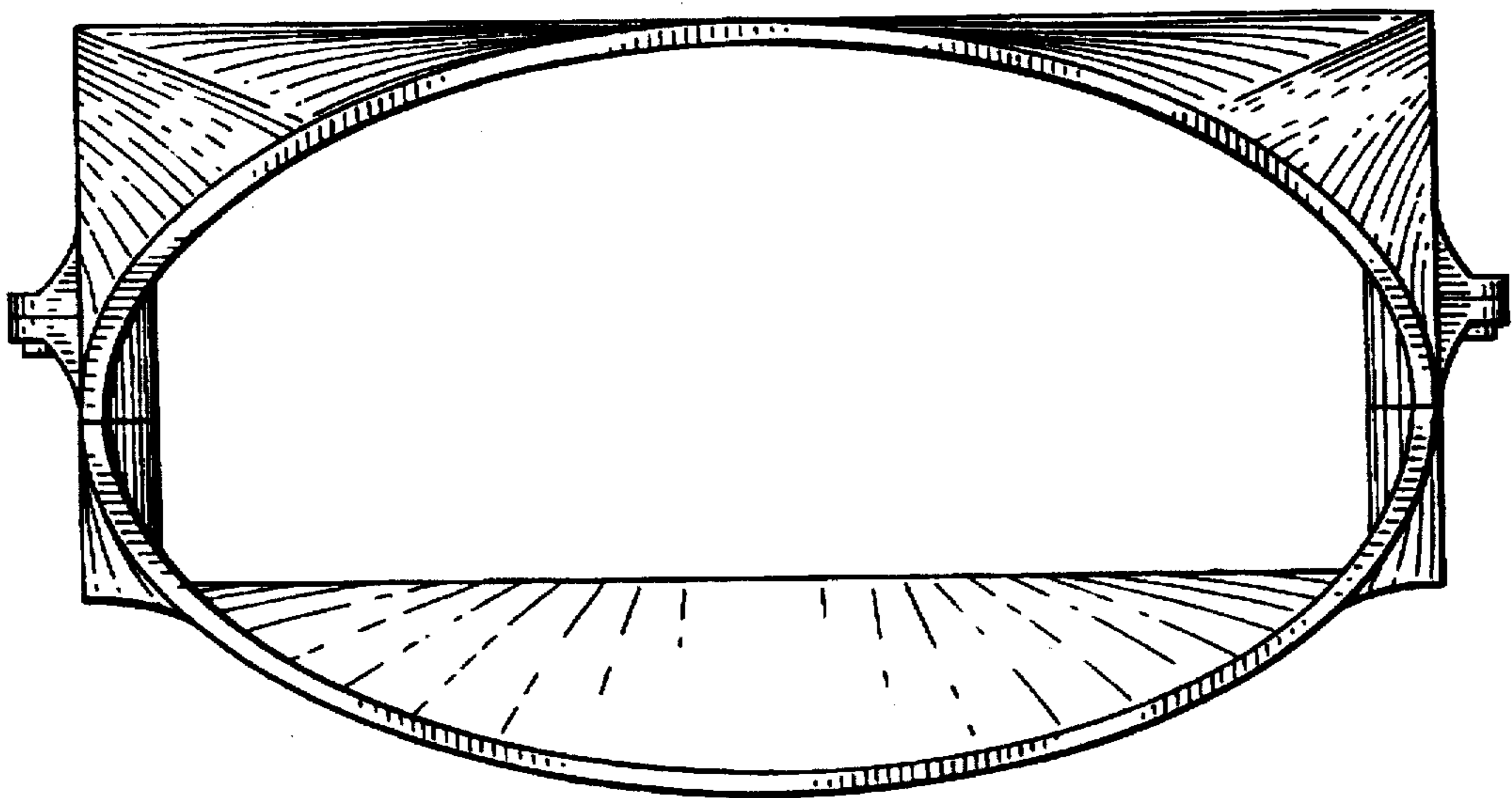




**FIG. 1**

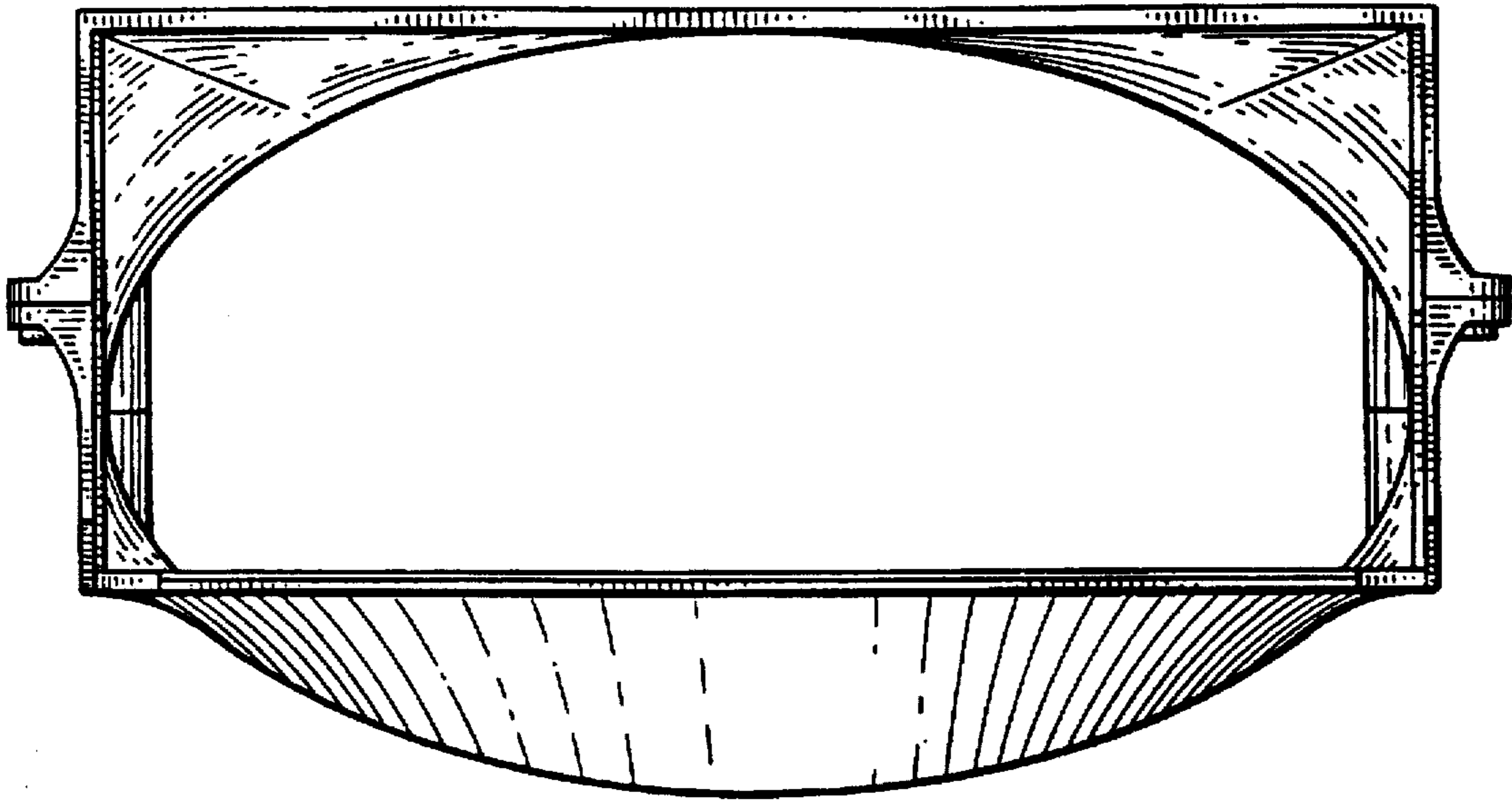


*FIG. 2*

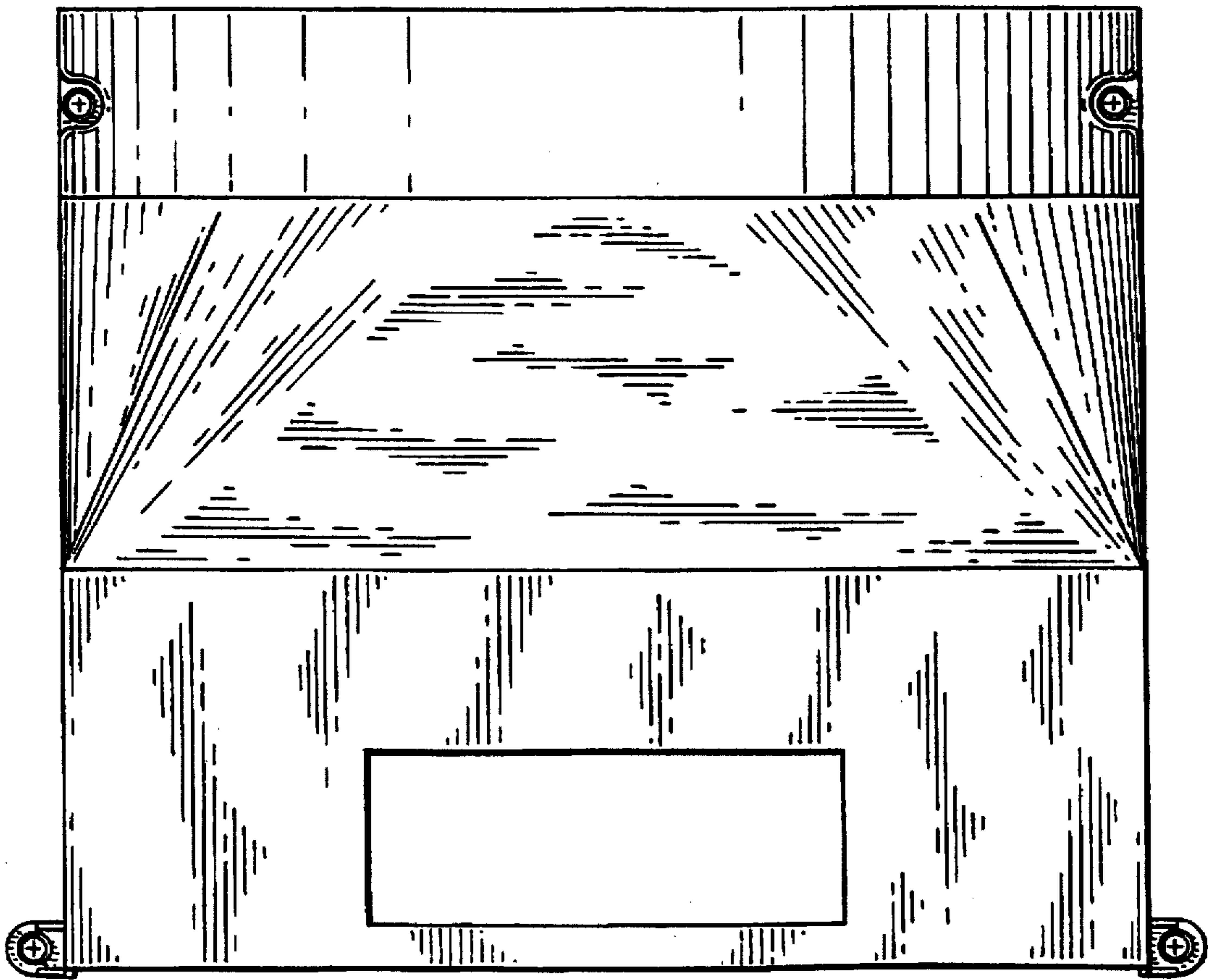


*FIG. 3*

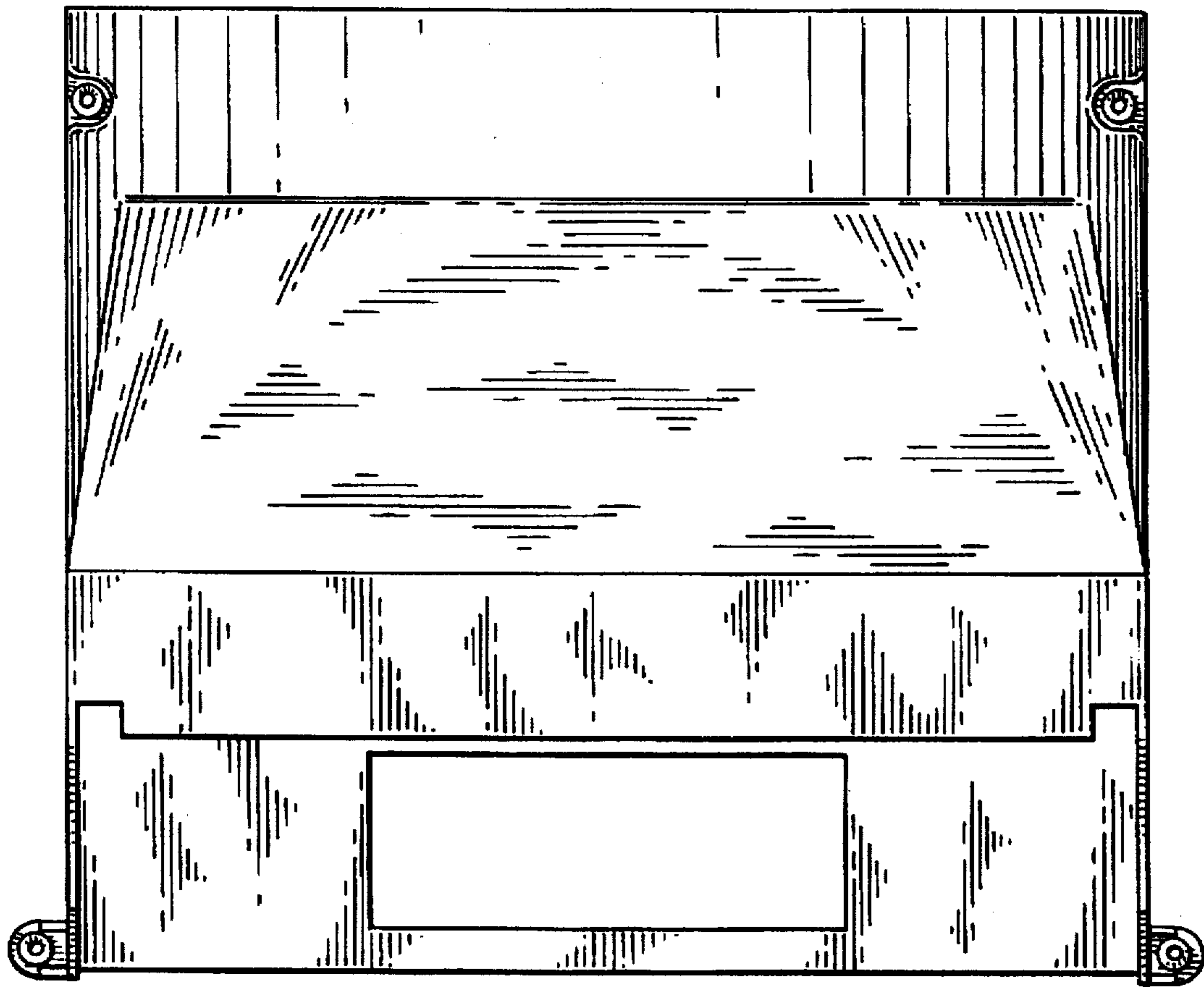




*FIG. 4*



*FIG. 5*



*FIG. 6*