



US00D384448S

# United States Patent [19]

[11] Patent Number: Des. 384,448

Stephens et al.

[45] Date of Patent: \*\*Sep. 30, 1997

## [54] WET/DRY VACUUM CLEANER

[75] Inventors: **Paul D. Stephens**, Cleveland Heights;  
**Craig M. Saunders**, Rocky River;  
**Michael F. Wright**, Cuyahoga Falls;  
**Richard C. Farone**, Wickliffe; **John F. Sovis**, Twinsburg, all of Ohio

[73] Assignee: **Royal Appliance Mfg. Co.**, Cleveland, Ohio

[\*\*] Term: **14 Years**

[21] Appl. No.: **38,552**

[22] Filed: **May 8, 1995**

D. 255,357	6/1980	Brooks et al.	.....	D32/23
D. 266,612	10/1982	Hug	.....	D32/23
D. 280,768	9/1985	Ferraris et al.	.....	D32/23
D. 286,336	10/1986	Berfield et al.	..	
D. 305,816	1/1990	Berfield et al.	..	
D. 324,930	3/1992	Pino	.....	D32/23
D. 335,555	5/1993	Reath	.....	D32/21
D. 338,294	8/1993	Kohler	.....	D32/23
4,458,377	7/1984	Frohbieter	..	
5,183,982	2/1993	Smith et al.	..	

Primary Examiner—Ruth McInroy

## [57] CLAIM

The ornamental design for a wet/dry vacuum cleaner, as shown.

### Related U.S. Application Data

[62] Division of Ser. No. 17,193, Jan. 6, 1994.

[51] LOC (6) Cl. .... **15-05**

[52] U.S. Cl. .... **D32/23**

[58] Field of Search ..... D32/21, 23-24;  
15/327.1, 327.2, 327.4, 320-321, 323, 353,  
347, 328

## DESCRIPTION

FIG. 1 is a front elevational view of a wet/dry vacuum cleaner showing our new design;

FIG. 2 is a left side elevational view thereof;

FIG. 3 is a right side elevational view thereof;

FIG. 4 is a rear elevational view thereof; and,

FIG. 5 is a top plan view thereof.

## [56] References Cited

### U.S. PATENT DOCUMENTS

D. 178,199 7/1956 Martinec ..... D32/23

**1 Claim, 3 Drawing Sheets**

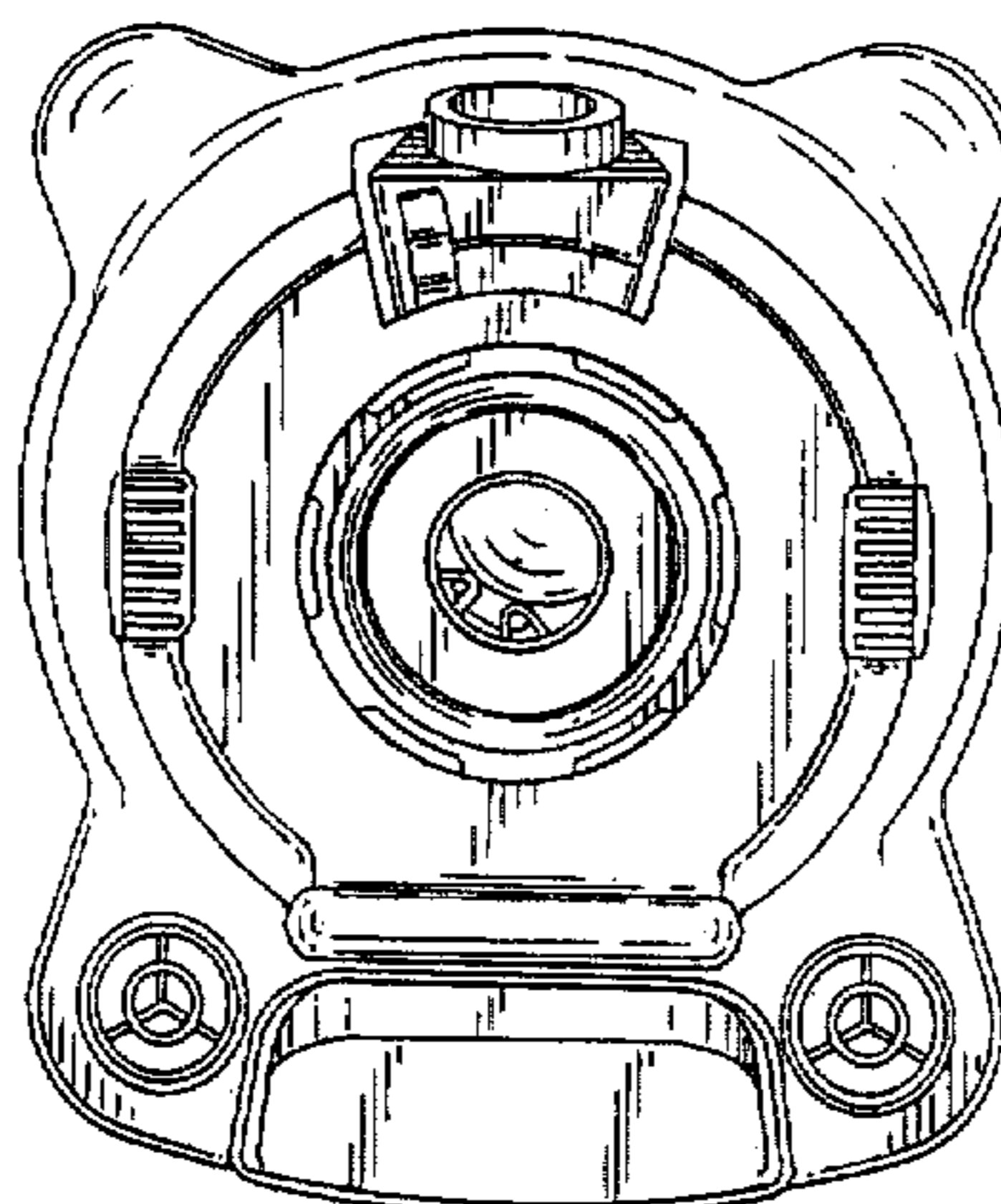
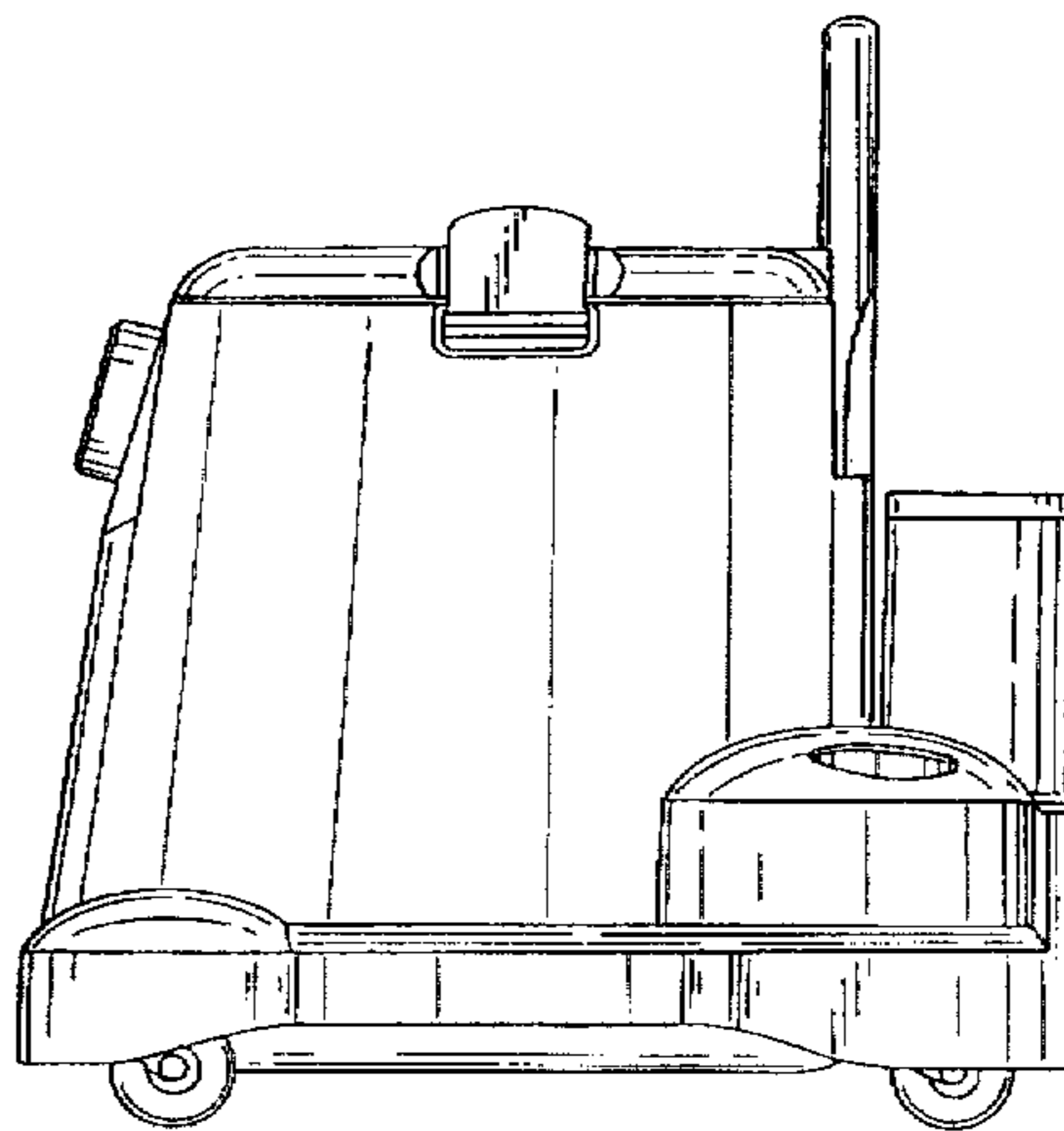


FIG.1

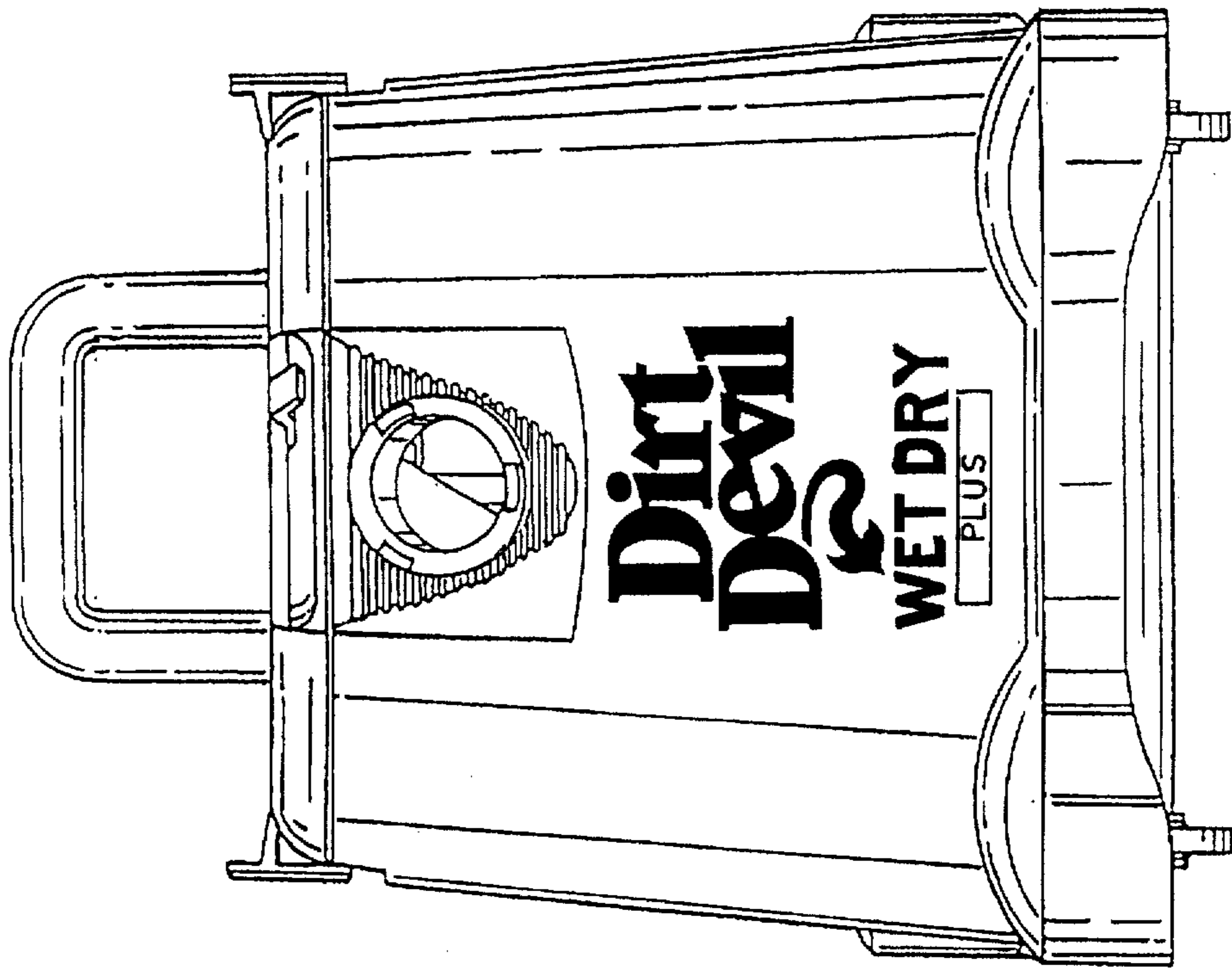


FIG.2

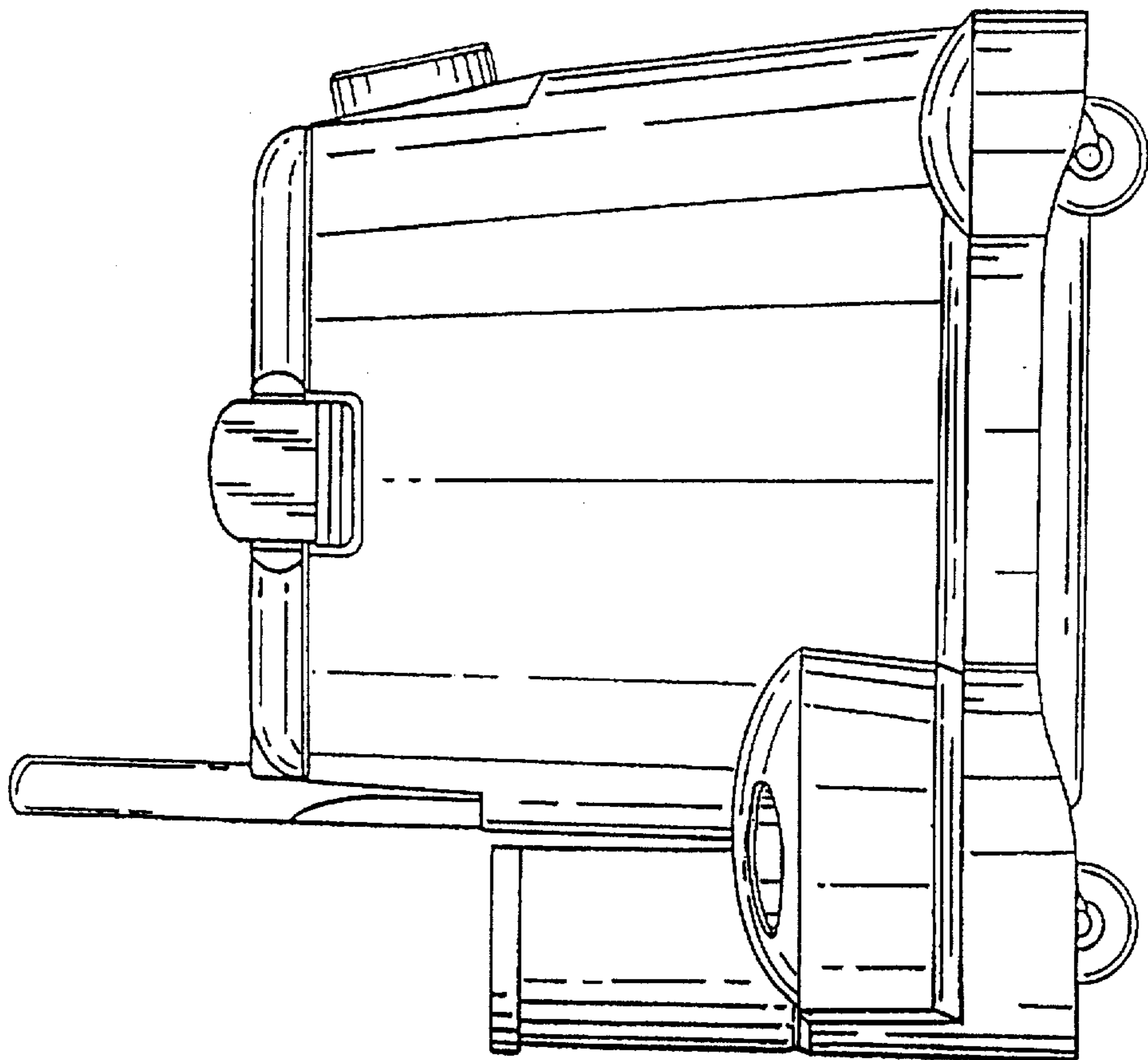


FIG. 4

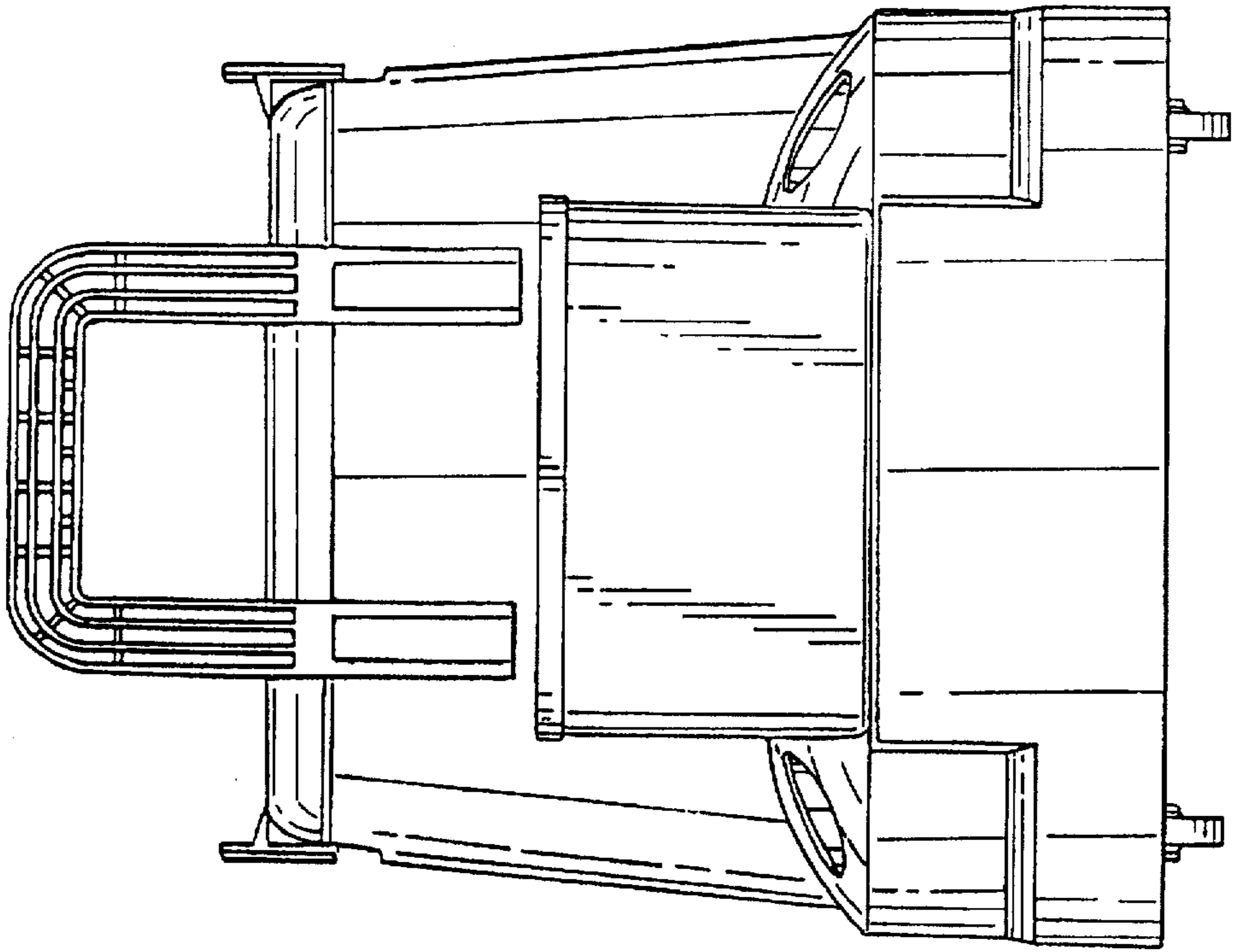
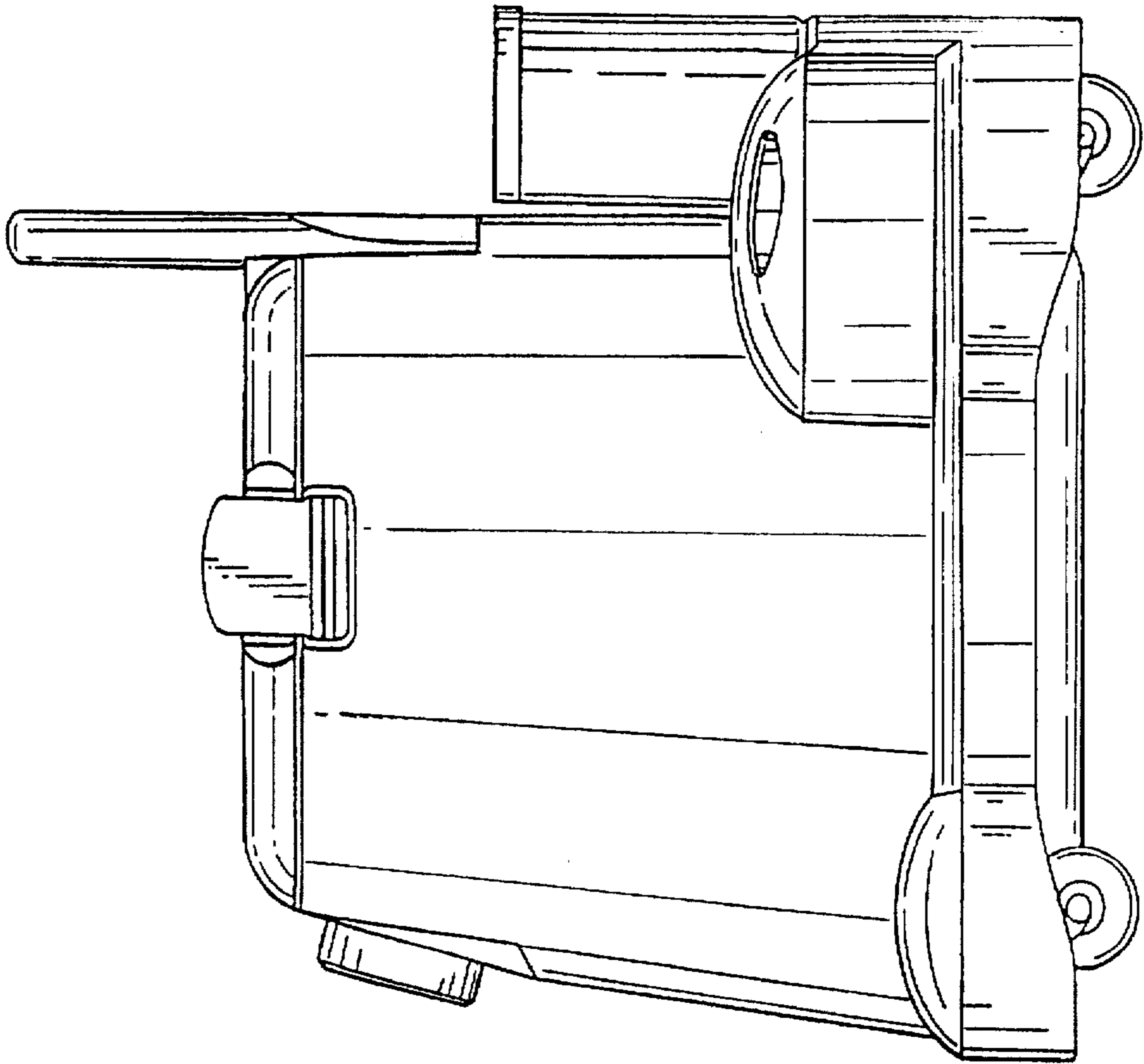


FIG. 3



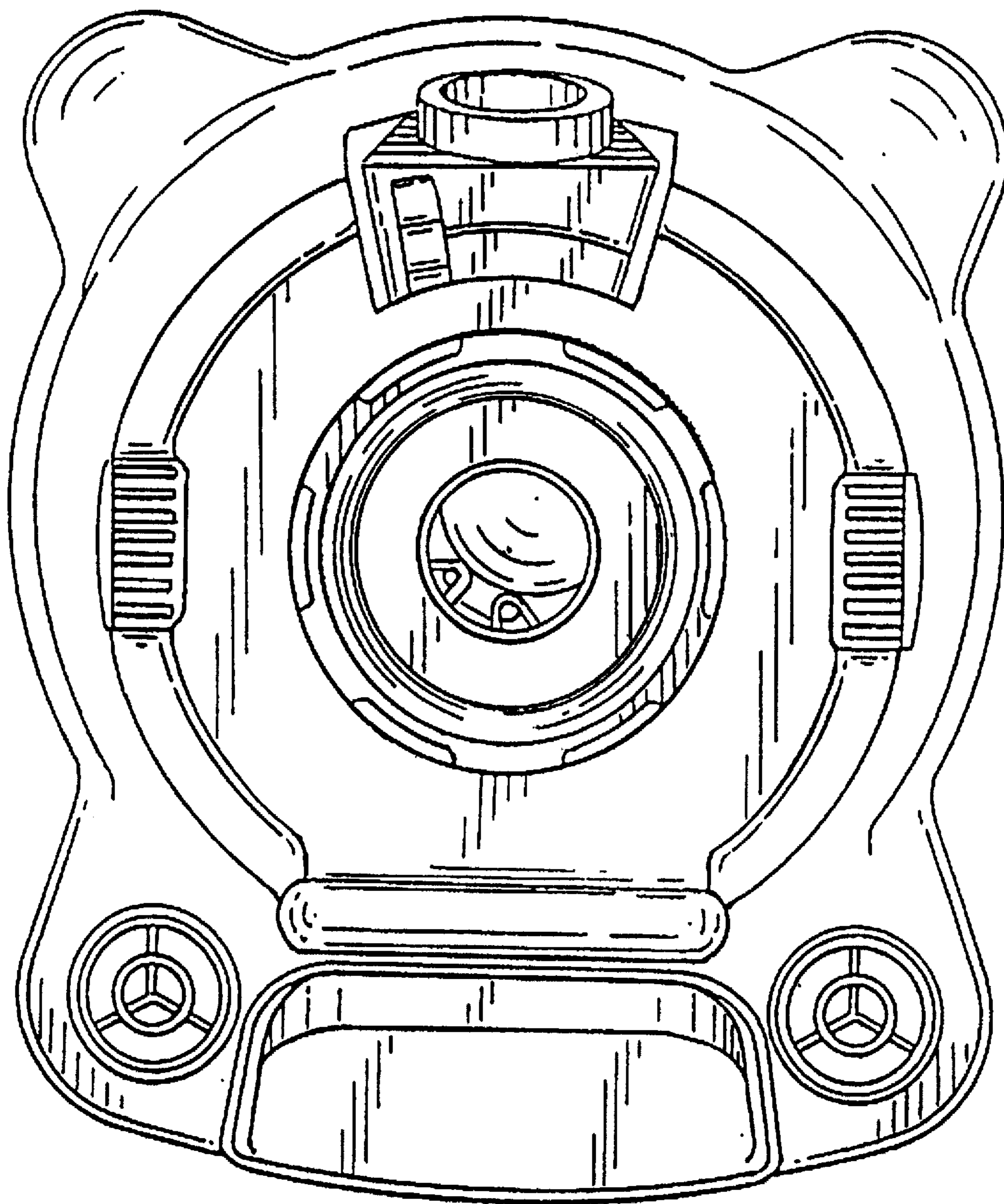


FIG. 5