



US00D384447S

United States Patent [19]

Lauer et al.

[11] Patent Number: **Des. 384,447**

[45] Date of Patent: ****Sep. 30, 1997**

[54] **CARPET CLEANER**

[75] Inventors: **Robert W. Lauer**, Fort Worth, Tex.;
Michael C. Mayne, Convers; **Gregory K. Mundt**, Duluth, both of Ga.; **Daniel A. Chunn**, Greenville, S.C.

[73] Assignee: **Bissel Inc.**, Grand Rapids, Mich.

[**] Term: **14 Years**

[21] Appl. No.: **53,376**

[22] Filed: **Apr. 19, 1996**

[51] **LOC (6) Cl.** **15-05**

[52] **U.S. Cl.** **D32/21**

[58] **Field of Search** **D32/21, 23, 24;**
15/327.1, 327.2, 327.6, 327.7, 320, 321,
322, 347

- 2,731,103 1/1956 Ortega .
- 3,020,577 2/1962 Carabet .
- 3,089,177 5/1963 Andersson-Sason .
- 3,480,987 12/1969 Schaefer .
- 3,490,089 1/1970 Lagerstrom .
- 3,955,237 5/1976 Chateaufeuf et al. .
- 4,697,299 10/1987 Brinkhoff et al. .
- 4,800,613 1/1989 Blase et al. .
- 4,910,082 3/1990 Blase et al. .
- 5,142,731 9/1992 Resch .

Primary Examiner—Ruth McInroy
Attorney, Agent, or Firm—Varnum, Riddering, Schmidt & Howlett LLP

[57] CLAIM

The ornamental design of a carpet cleaner, as shown and described.

DESCRIPTION

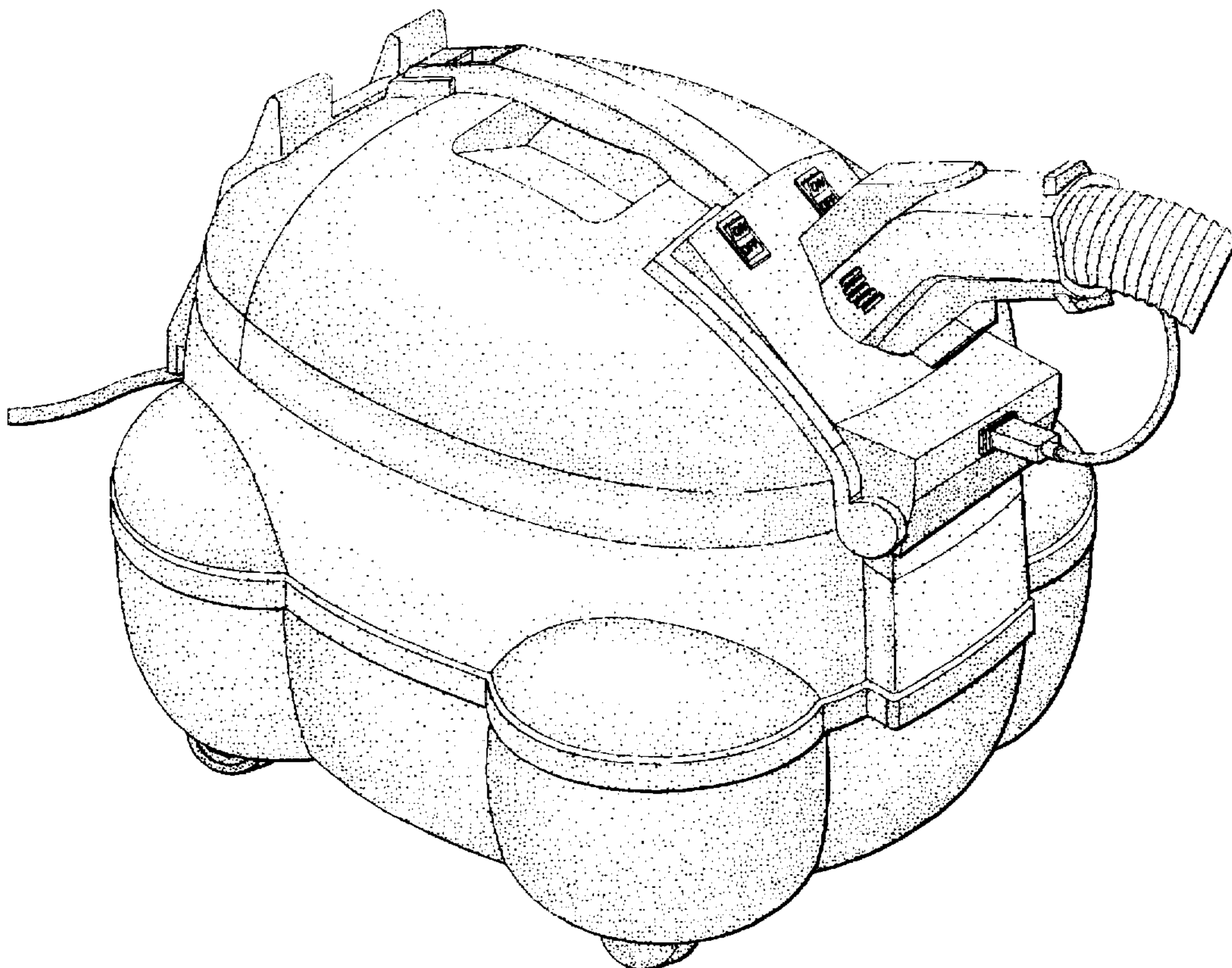
FIG. 1 is a perspective view of a carpet cleaner showing my new design;
FIG. 2 is a left side elevational view thereof;
FIG. 3 is a right side elevational view;
FIG. 4 is a top plan view;
FIG. 5 is a bottom plan view;
FIG. 6 is a rear side elevational view; and,
FIG. 7 is a front side elevational view.
The electric cord and hose are shown broken away in FIGS. 1-7 and are understood to represent indeterminate length.

1 Claim, 6 Drawing Sheets

[56] References Cited

U.S. PATENT DOCUMENTS

- D. 315,431 3/1991 Ikeda et al. D32/21
- D. 318,155 7/1991 Goodrich .
- D. 318,544 7/1991 Schoettler D32/24
- D. 373,665 9/1996 Nakamura et al. D32/21
- D. 376,229 12/1996 Hughes D32/21
- 1,929,345 10/1933 Brown et al. .
- 2,049,603 8/1936 Dietenberger .
- 2,233,167 2/1941 Holm-Hansen .
- 2,531,370 11/1950 Thompson .



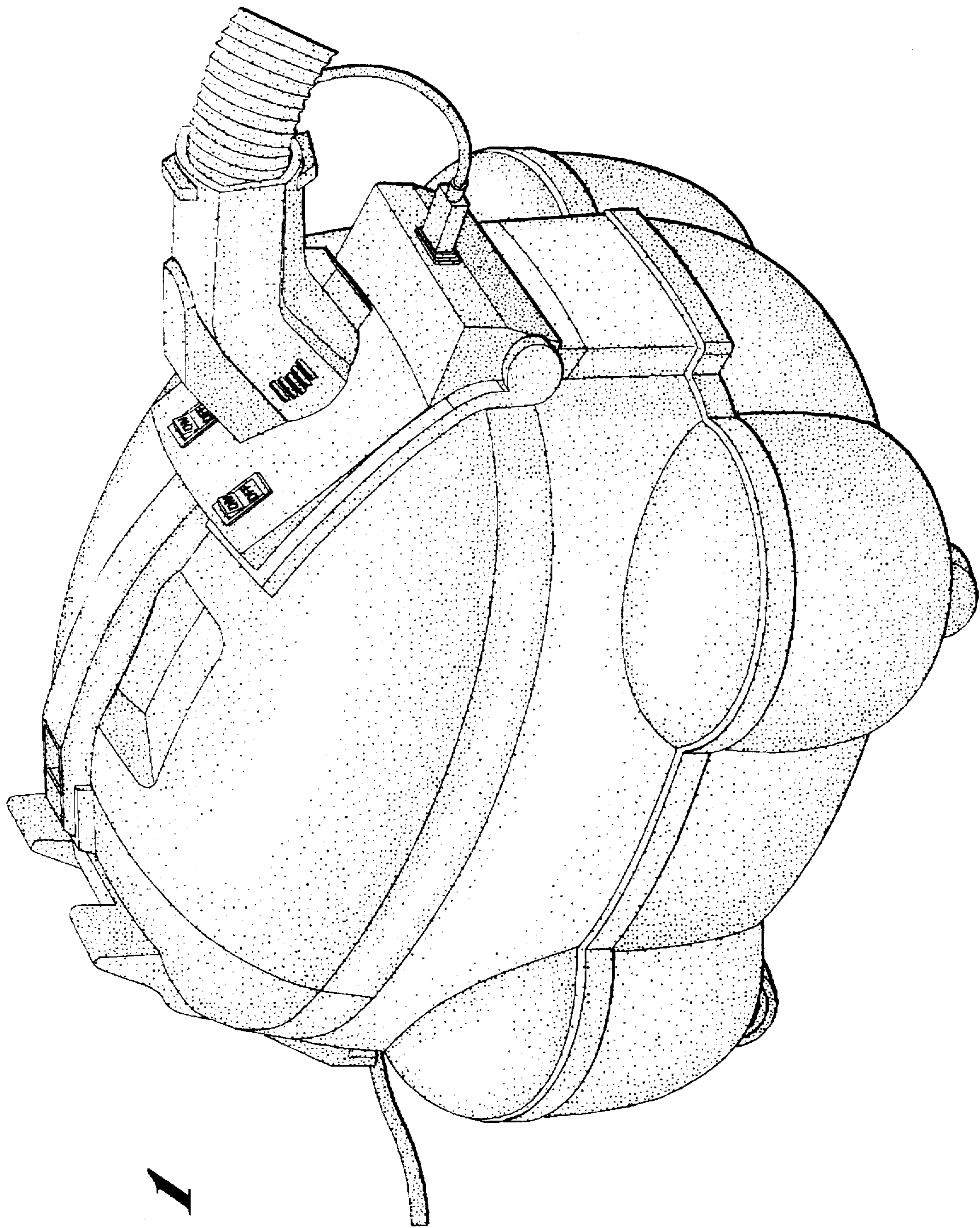
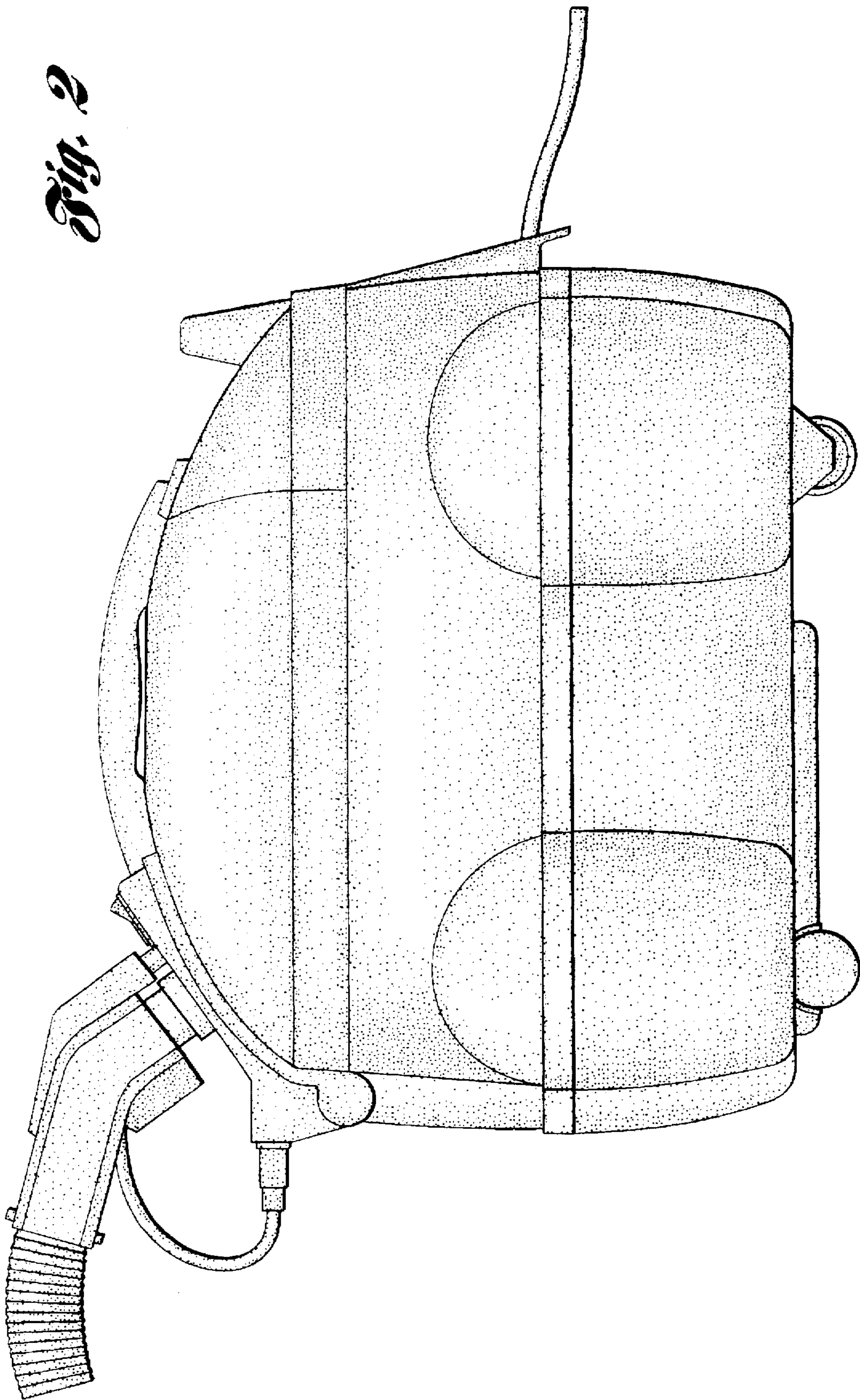


Fig. 1

Fig. 2



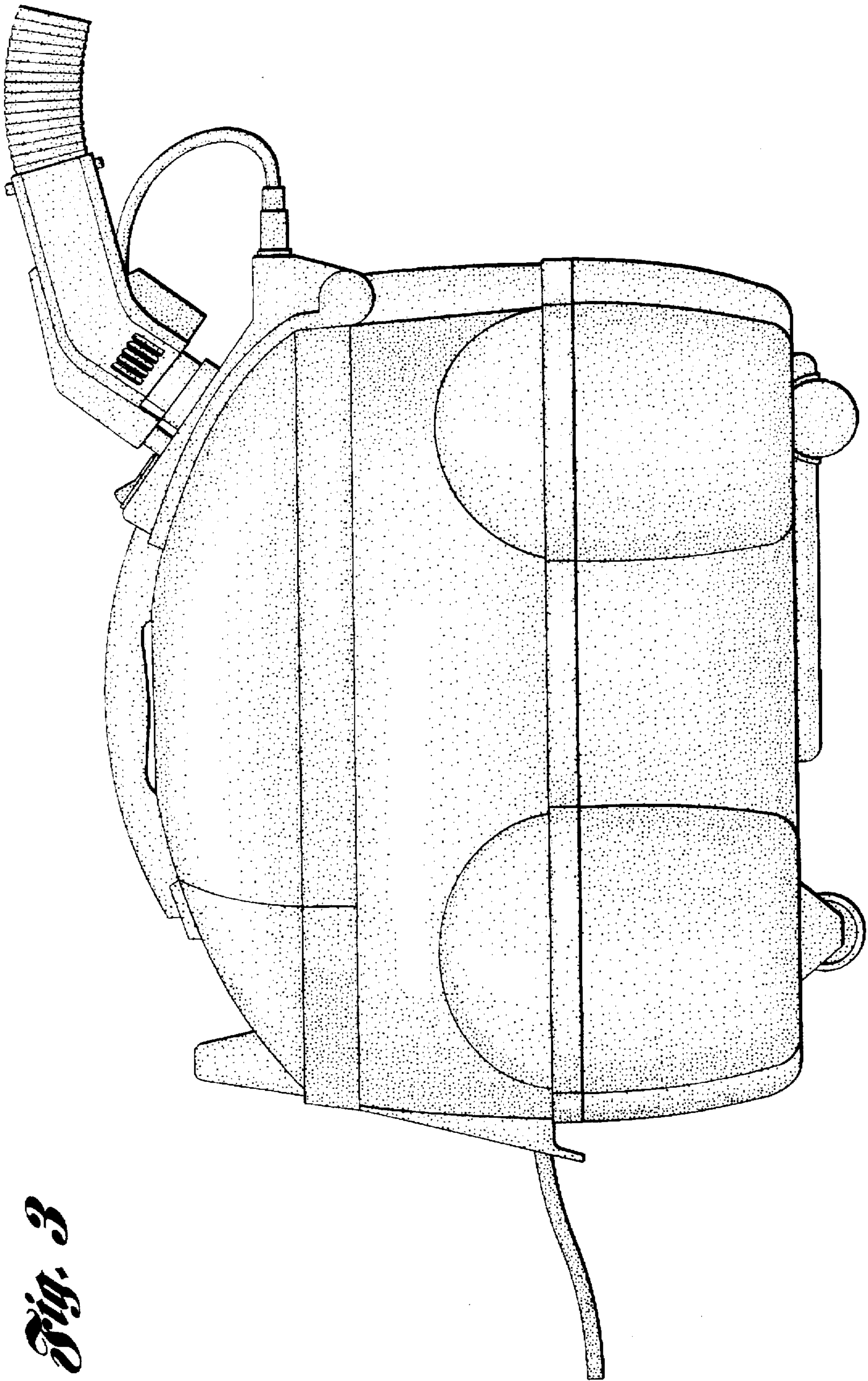


Fig. 3

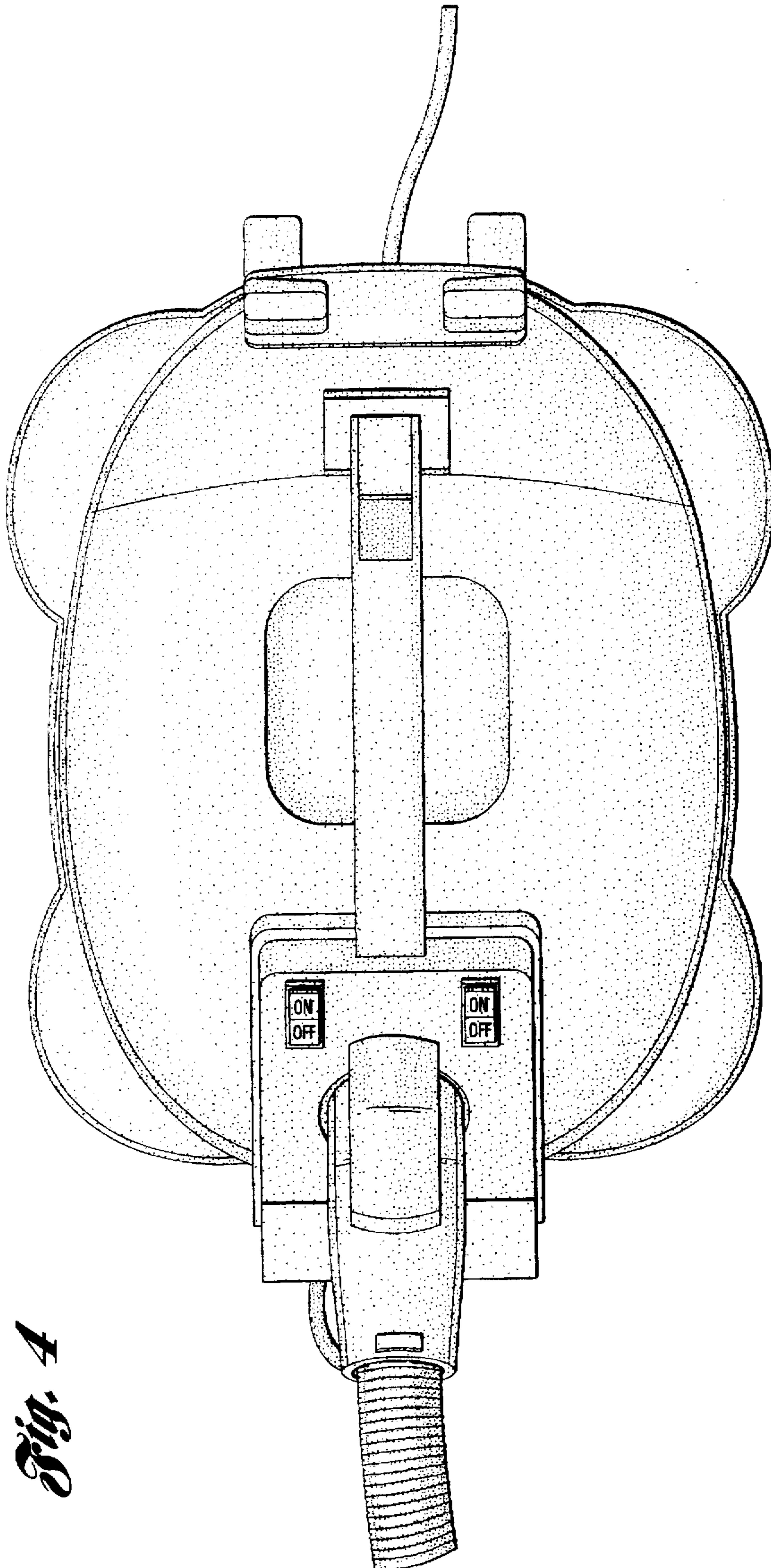


Fig. 4

Fig. 5

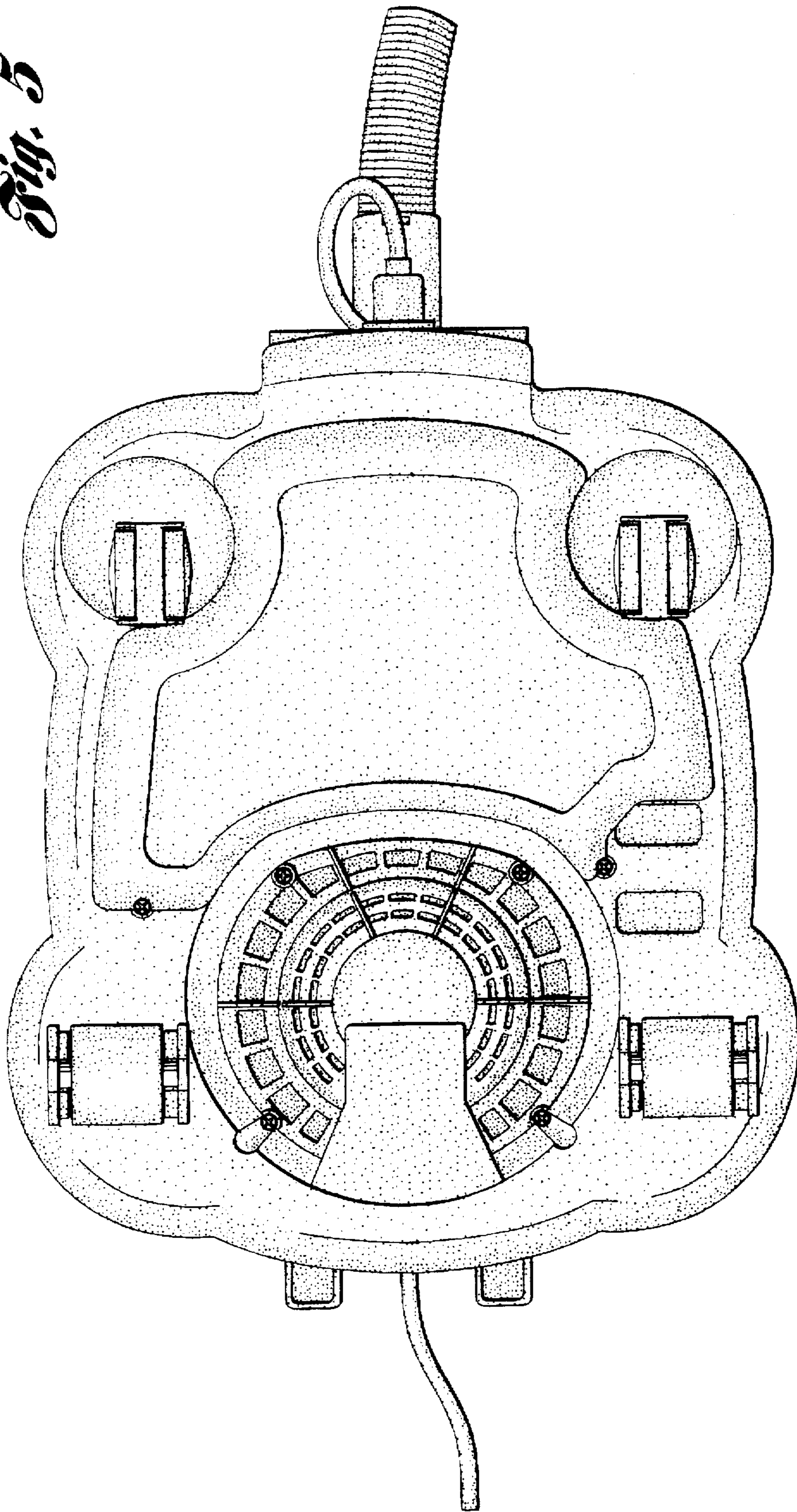


Fig. 6

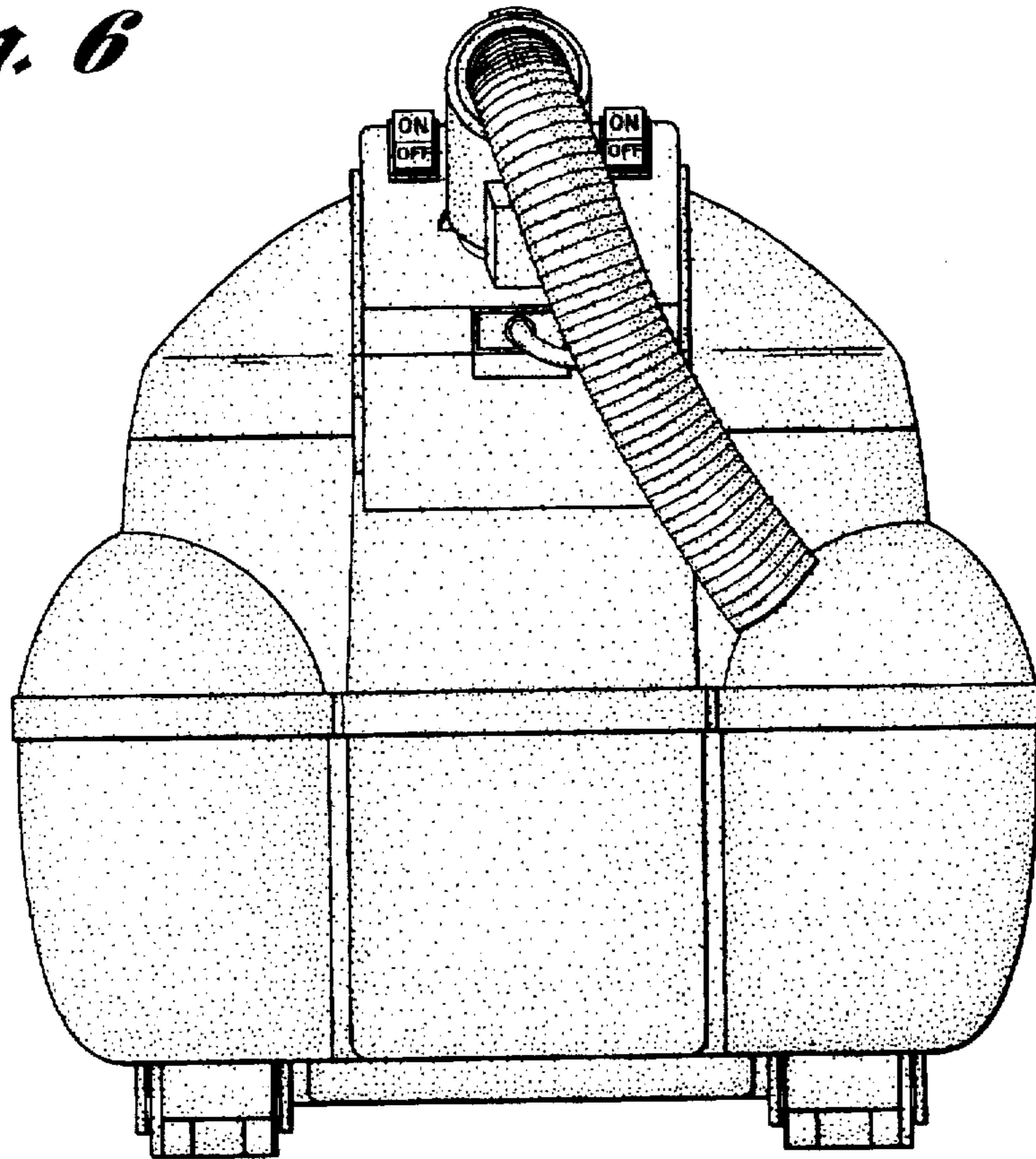


Fig. 7

