



US00D384446S

United States Patent [19]

Linton et al.

[11] Patent Number: **Des. 384,446**

[45] Date of Patent: ****Sep. 30, 1997**

[54] **PARTS WASHER**

5,107,876 4/1992 Ozyjiwsky .

[75] Inventors: **Paul W. Linton**, Vancouver, Wash.; **Bill George Epperson, Jr.**, Hillsboro; **Hal W. Hardinge**, Lake Oswego, both of Oreg.; **David Alan Bergerud**, Vancouver, Wash.

FOREIGN PATENT DOCUMENTS

1 293 424 4/1969 Germany .

OTHER PUBLICATIONS

Landa Spray Jet Parts Washers brochure, Jan. 1995.
Grainger Industrial and Commercial Equipment and Supplies 1995 General Catalog No. 386, pp. 1554-1556.
Precision Cleaning, Sep. 1995, vol. III, No. 8, pp. 10, 15, 44, 50 and 60.

[73] Assignee: **Landa, Inc.**, Portland, Oreg.

[**] Term: **14 Years**

Primary Examiner—Ruth McInroy

Attorney, Agent, or Firm—Kolisch, Hartwell, Dickinson, McCormack & Heuser

[21] Appl. No.: **55,839**

[22] Filed: **Jun. 13, 1996**

[51] **LOC (6) Cl.** **15-05**

[52] **U.S. Cl.** **D32/1**

[58] **Field of Search** D32/1; 134/169 A,
134/184, 200

[57] CLAIM

The ornamental design for a parts washer, as shown.

DESCRIPTION

FIG. 1 is an isometric view of a parts washer showing our new design;

FIG. 2 is a front elevation view thereof;

FIG. 3 is a rear elevation view thereof;

FIG. 4 is a left-side elevation thereof;

FIG. 5 is a right-side elevation thereof;

FIG. 6 is a bottom plan view thereof; and,

FIG. 7 is a top plan view thereof.

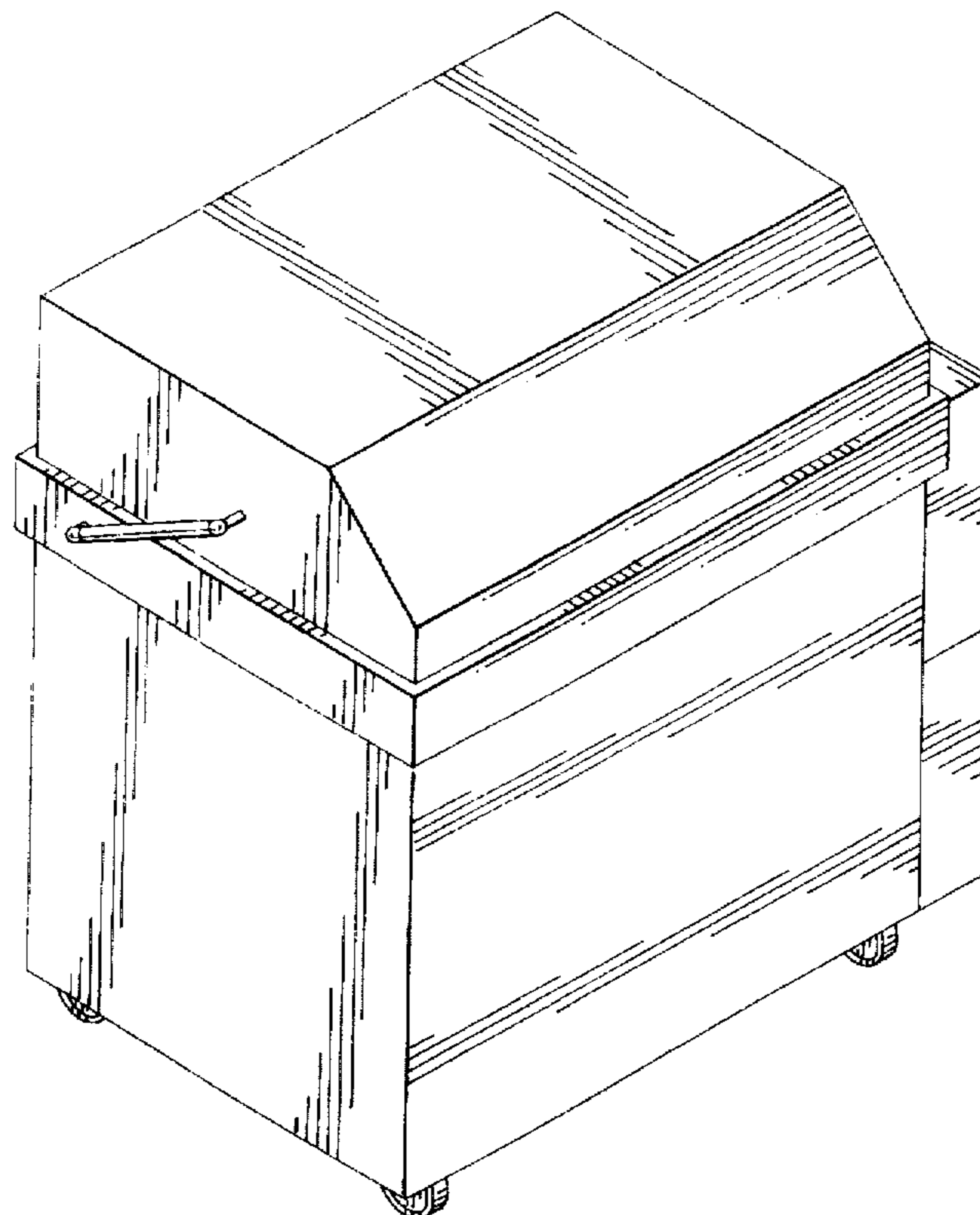
The details shown in broken lines in FIGS. 2 and 3 are shown for illustrative purposes only and form no part of the claimed design.

[56] References Cited

U.S. PATENT DOCUMENTS

D. 211,825	7/1968	Willett, Jr.	D32/1
D. 232,322	8/1974	Lee	D32/1
D. 297,578	9/1988	Brightbill et al.	D32/1
D. 306,223	2/1990	Muirhead et al.	D32/1
D. 339,666	9/1993	Knowlton	D32/1
D. 370,096	5/1996	Niemela et al.	D32/21
1,927,665	9/1933	Kirby	.	
2,078,670	4/1937	Kirby	.	
3,020,918	2/1962	Albertson et al.	.	
3,324,867	6/1967	Freese	.	
3,971,394	7/1976	Osborne	.	
4,995,409	2/1991	Watts	.	

1 Claim, 5 Drawing Sheets



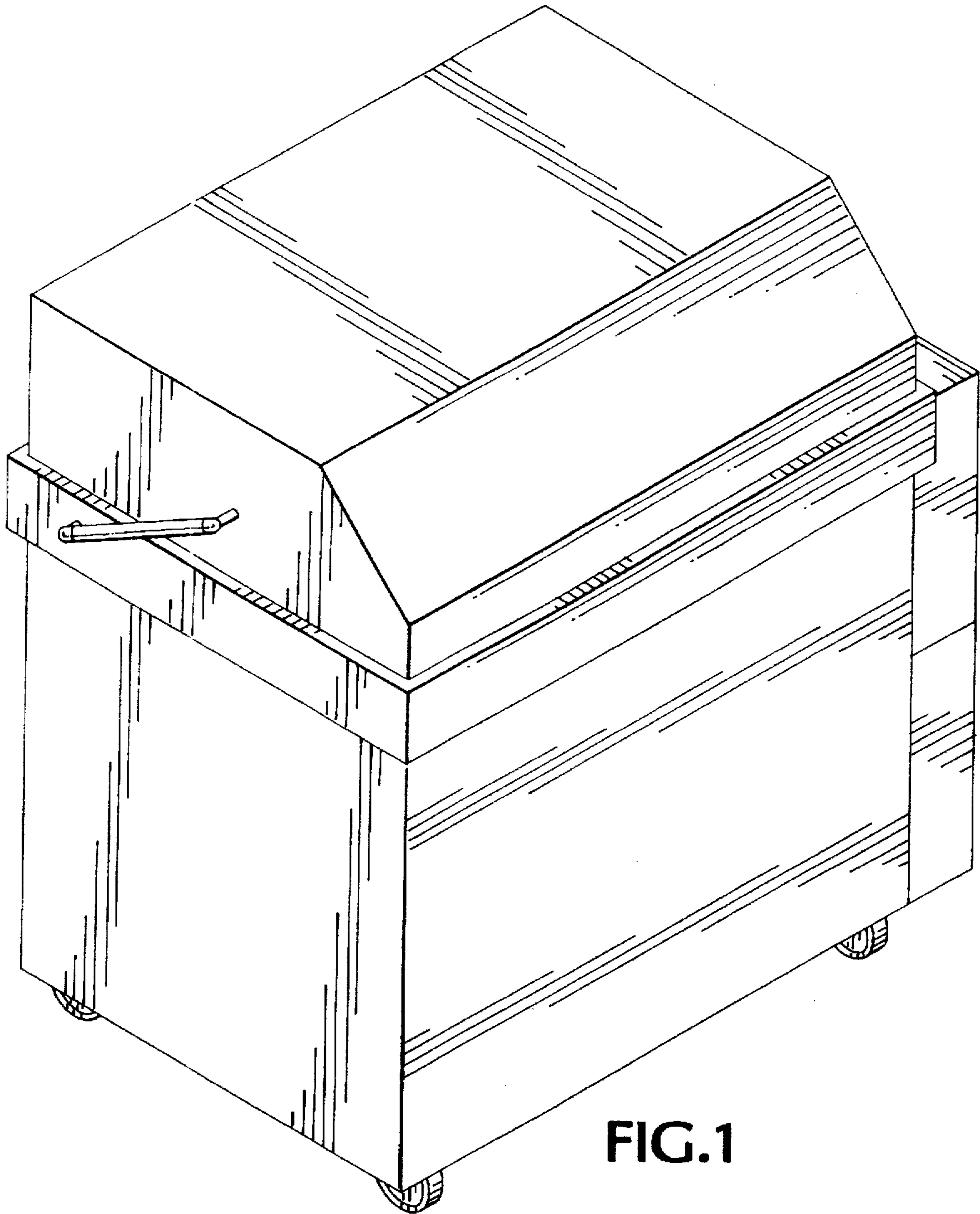


FIG.1

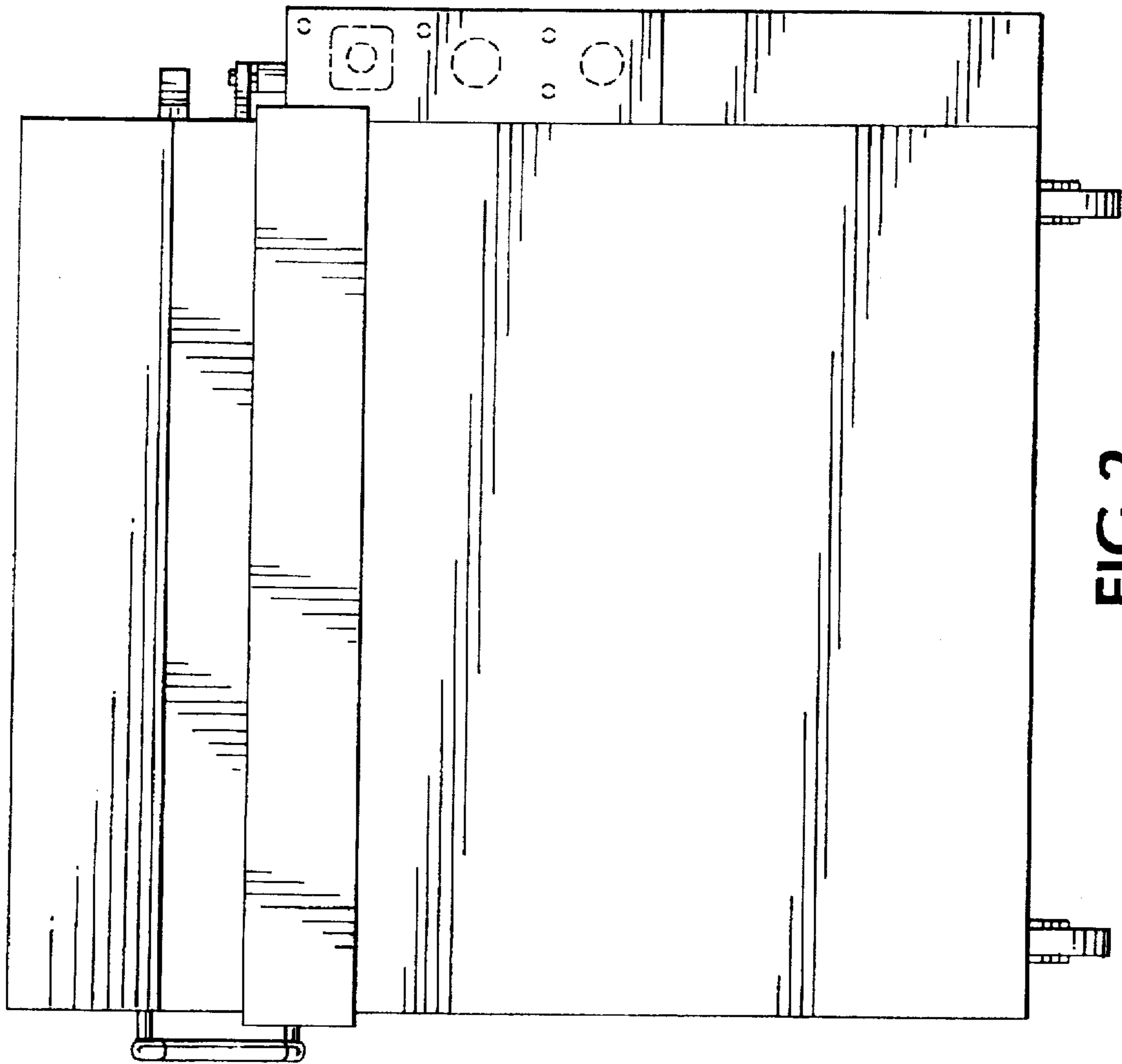


FIG.2

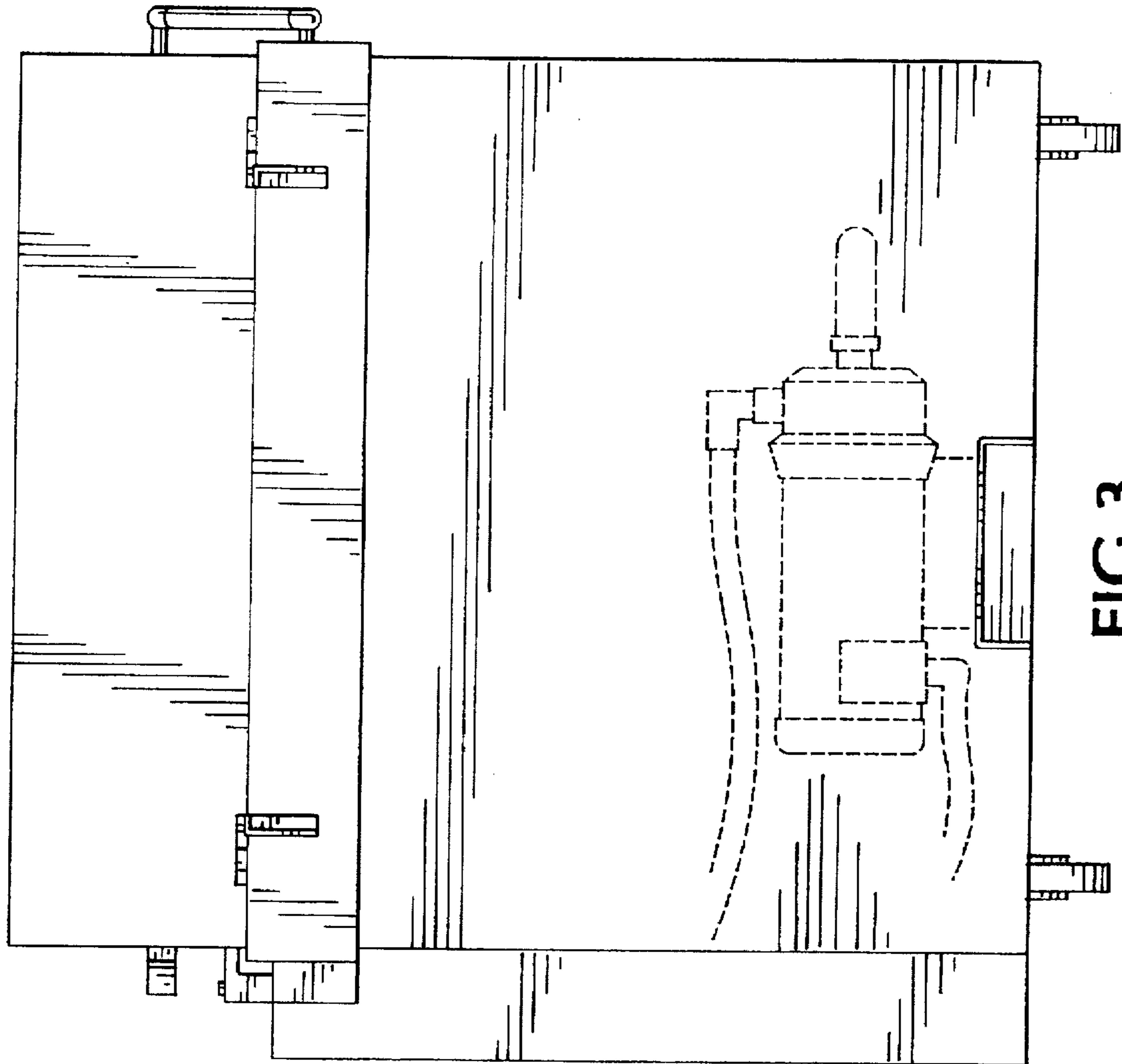


FIG. 3

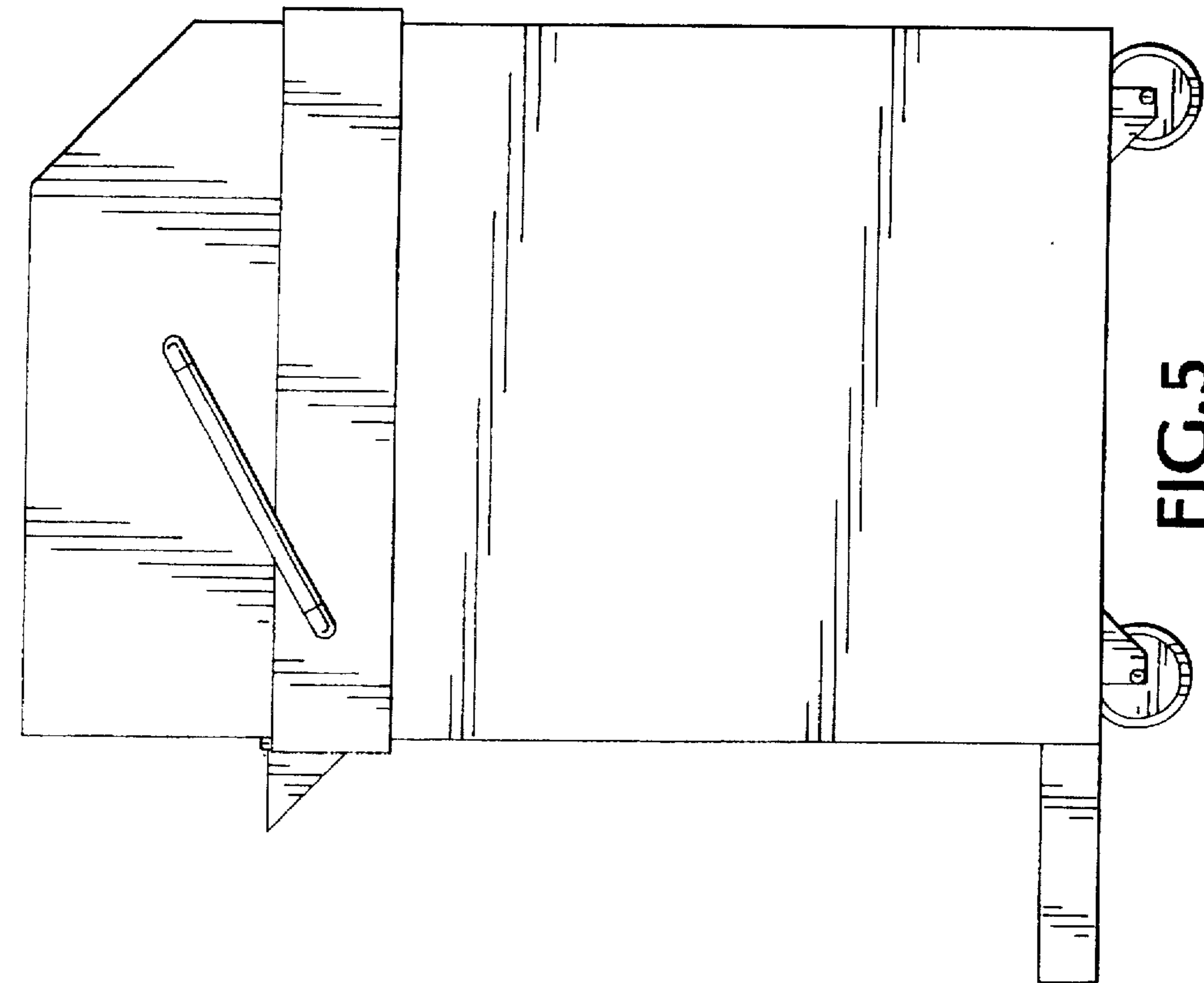


FIG. 5

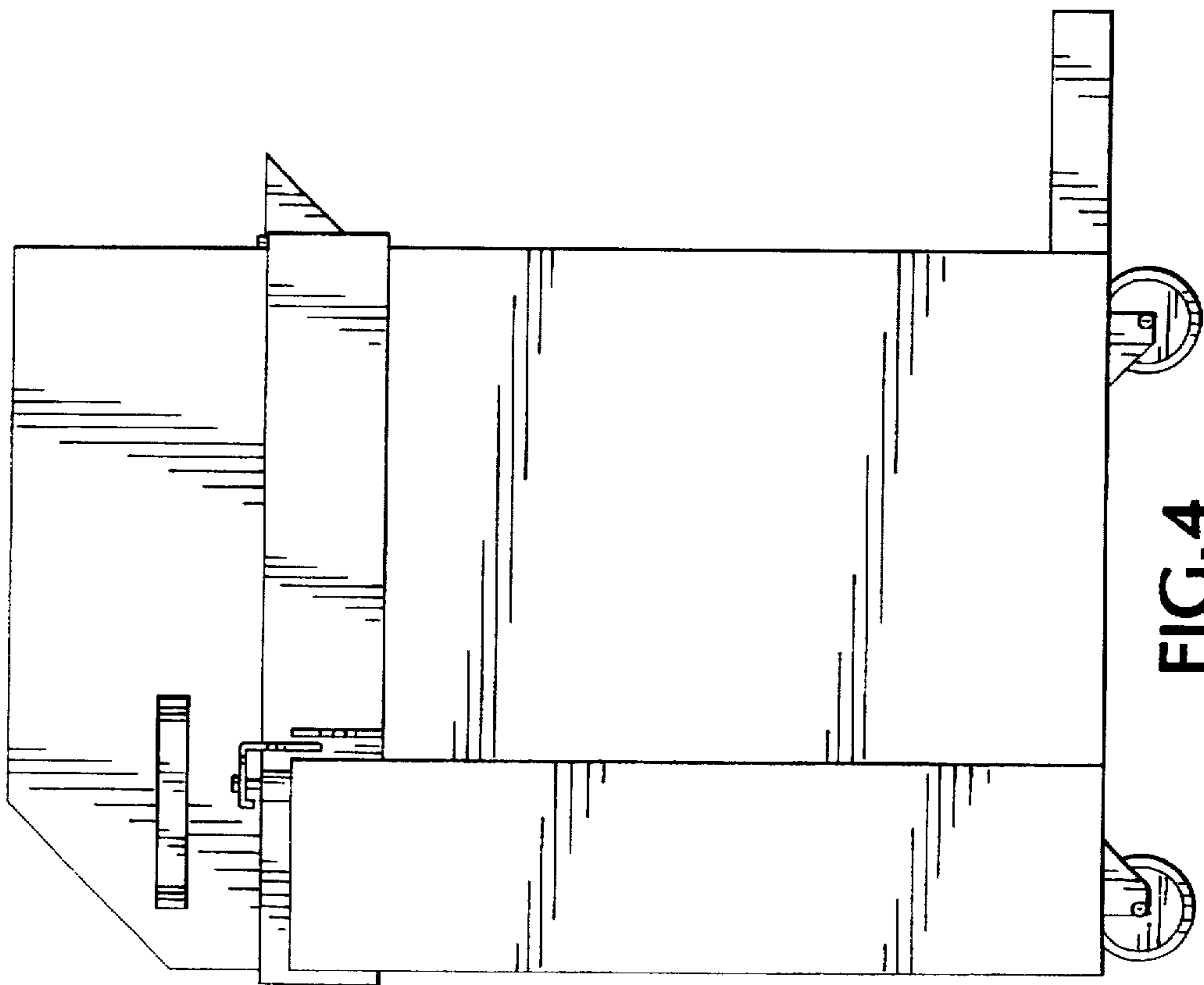


FIG. 4

