



US00D384442S

United States Patent [19] Cirelli

[11] Patent Number: **Des. 384,442**

[45] Date of Patent: ****Sep. 30, 1997**

[54] **BIRD PERCH**
[76] Inventor: **Bernard J. Cirelli**, 2566 Mammoth Dr.,
San Diego, Calif. 92123

4,498,423 2/1985 Gainsboro 119/57.8
5,010,848 4/1991 Rankin 119/468
5,413,068 5/1995 Segal 119/468
5,474,025 12/1995 Lee 119/464

[**] Term: **14 Years**

OTHER PUBLICATIONS

[21] Appl. No.: **46,618**

Fritz Pet Products Distributor for Price List; Bird Play-
ground; Bird Catalogs Box. Jan. 1992.

[22] Filed: **Oct. 13, 1995**

Primary Examiner—Cathy Anne MacCormac
Attorney, Agent, or Firm—Charles C. Logan, II

[51] LOC (6) Cl. **30-02**

[52] U.S. Cl. **D30/119; 119/531; D30/160**

[58] Field of Search 119/52.1-52.3,
119/57.8-57.9, 468, 531, 536; D30/124,
119, 110

[57] CLAIM

The ornamental design for a bird perch, as shown and
described.

[56] References Cited

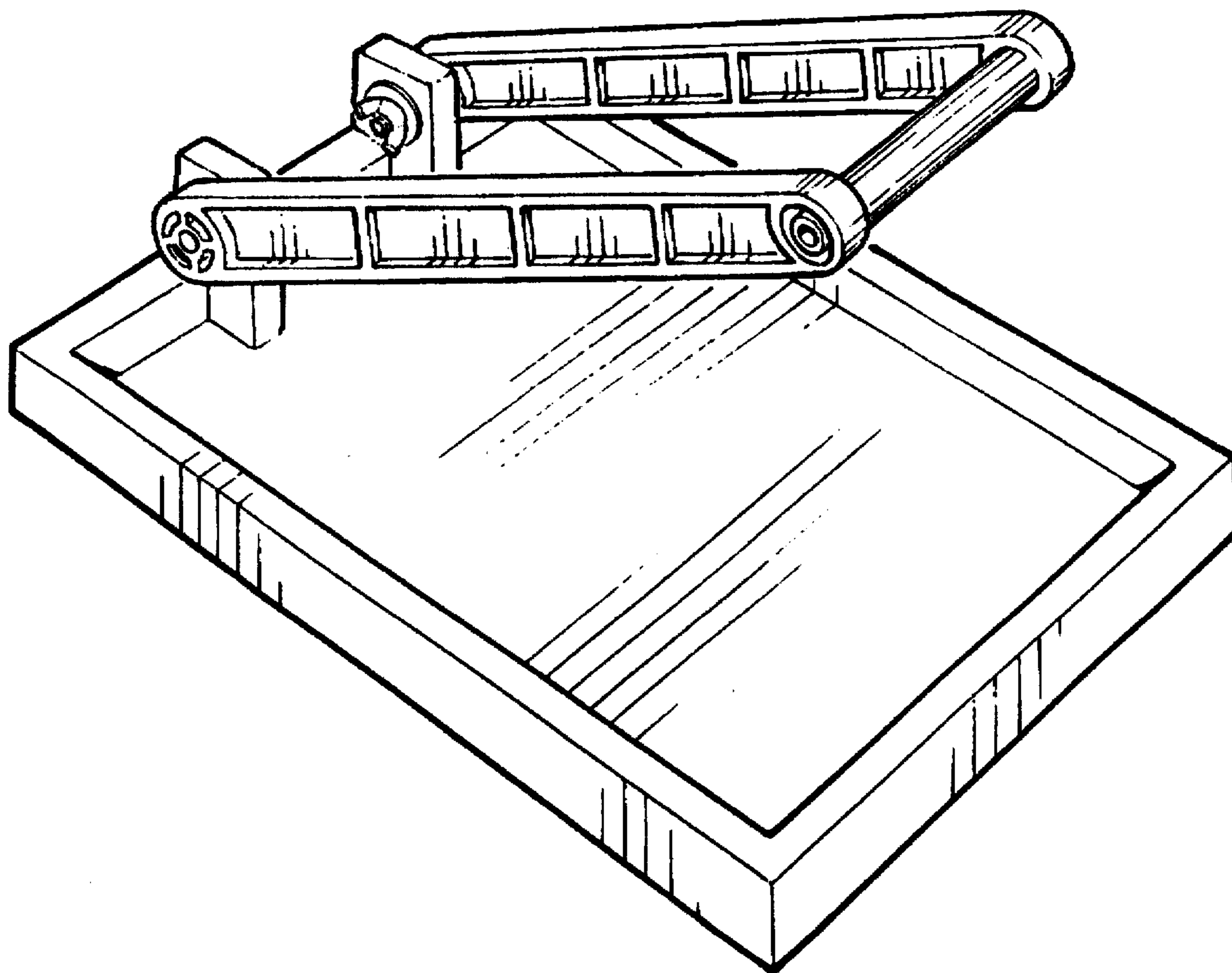
DESCRIPTION

U.S. PATENT DOCUMENTS

D. 180,914	9/1957	Otis	D30/119
D. 292,334	10/1987	Courteau	D30/119
D. 373,660	9/1996	Gates	D30/124
2,504,282	4/1950	Tobias	D30/124
3,138,139	6/1964	Good	119/468
3,181,504	5/1965	Stortz	119/531
3,226,877	1/1966	Anderson	119/536
4,328,765	5/1982	Kilham	119/57.8

FIG. 1 is a perspective view of a bird perch showing my new
design;
FIG. 2 is a left side view thereof, the right side being a mirror
image;
FIG. 3 is a front elevation view thereof;
FIG. 4 is a rear view thereof; and,
FIG. 5 is a bottom plan view thereof.

1 Claim, 1 Drawing Sheet



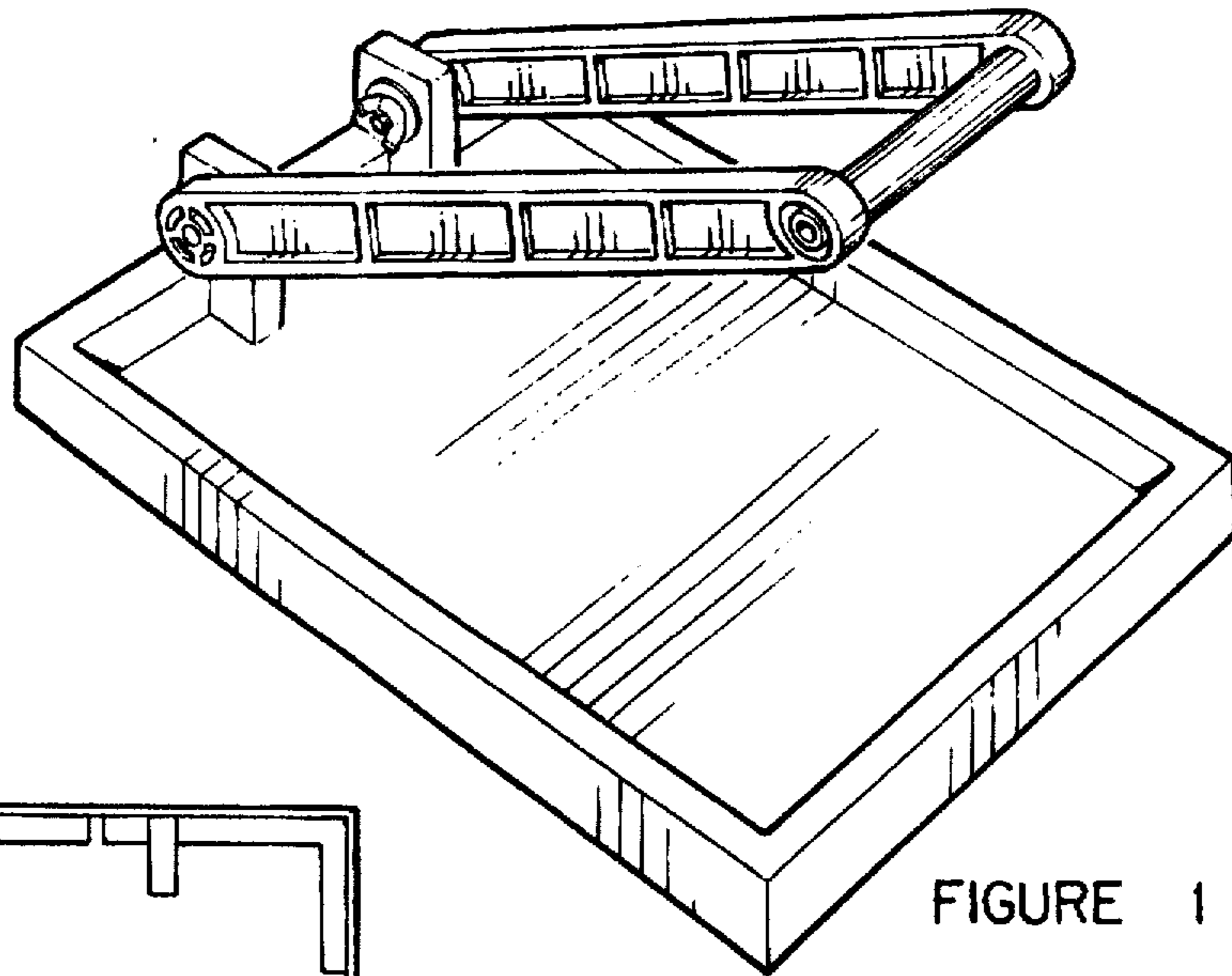


FIGURE 1

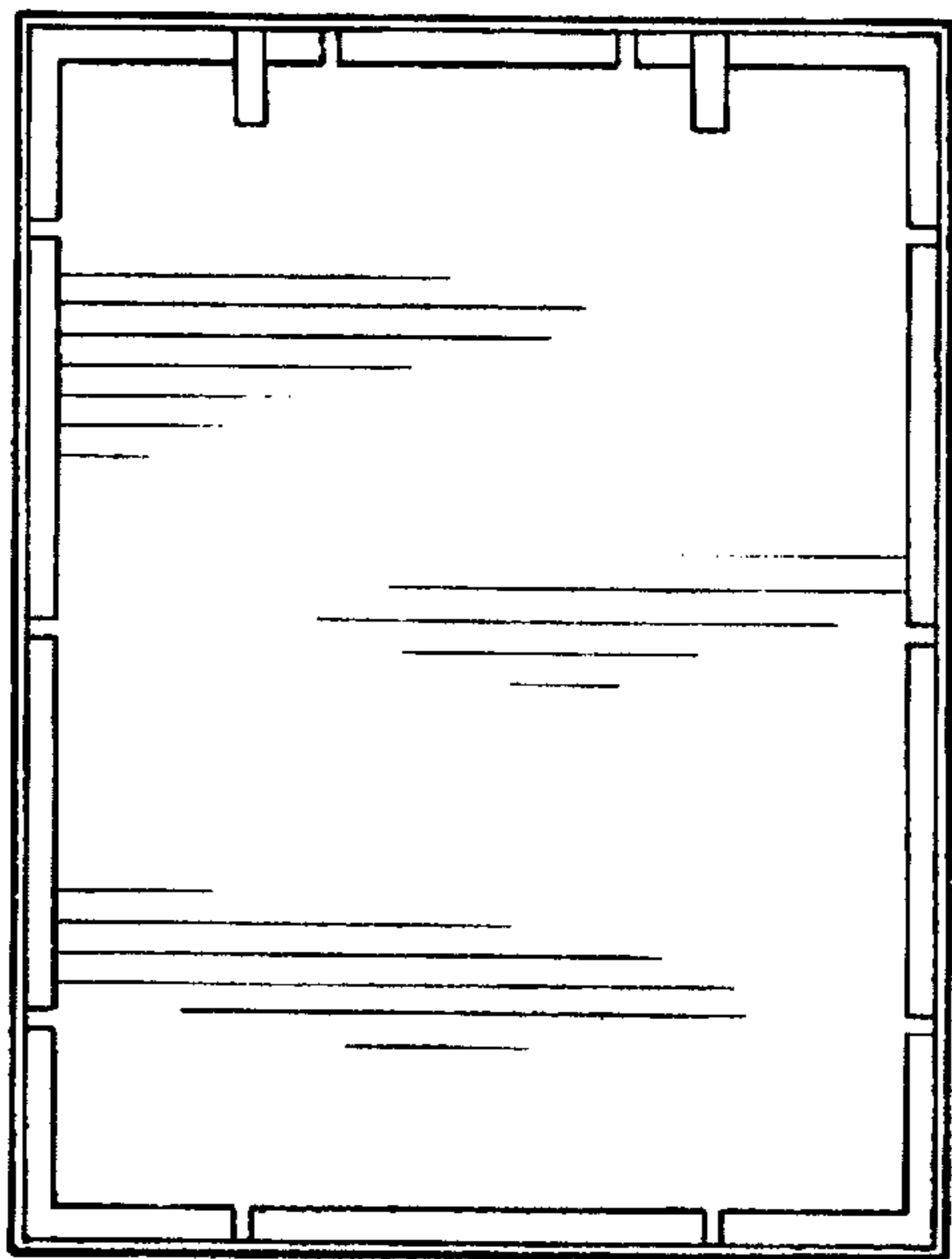


FIGURE 5

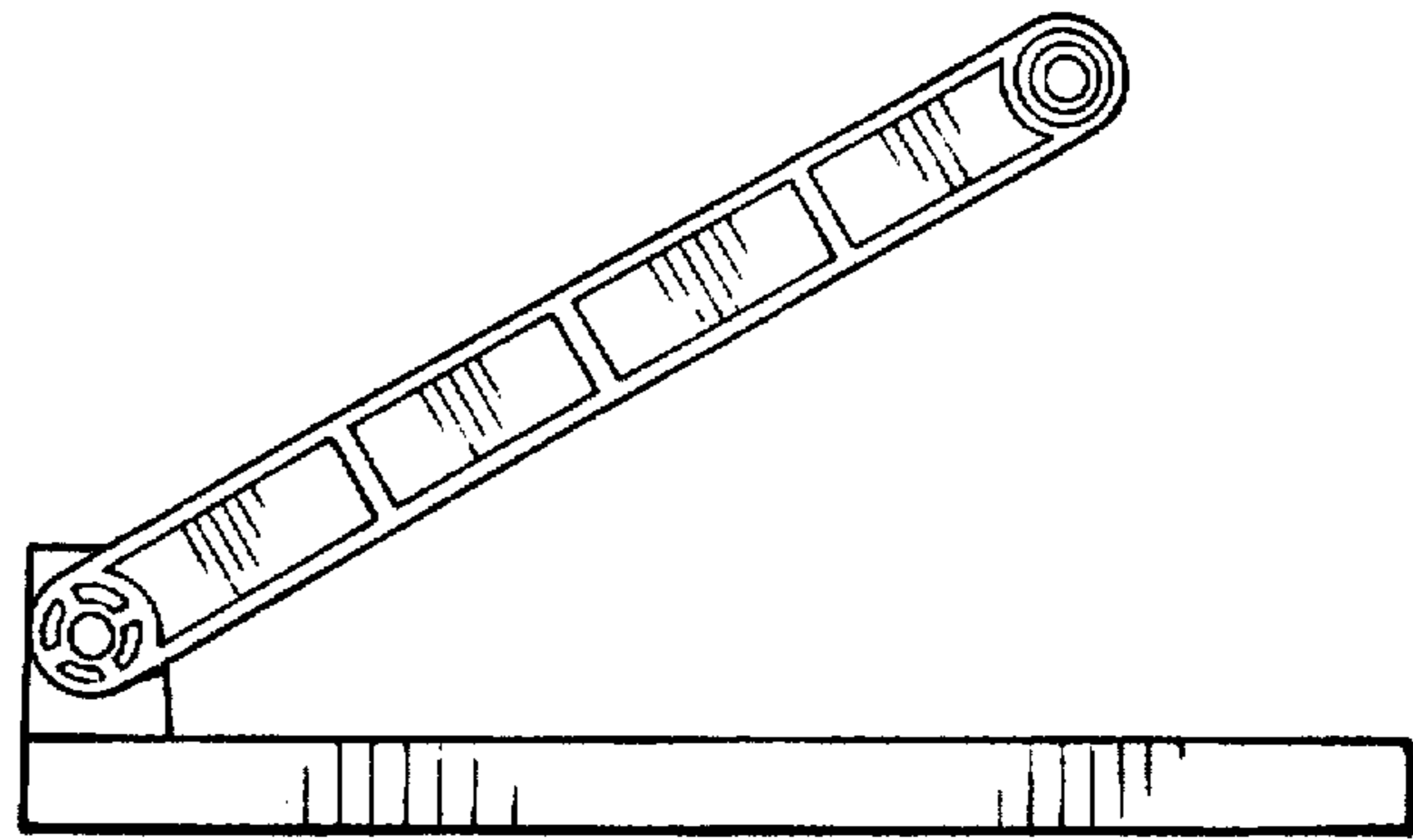


FIGURE 2

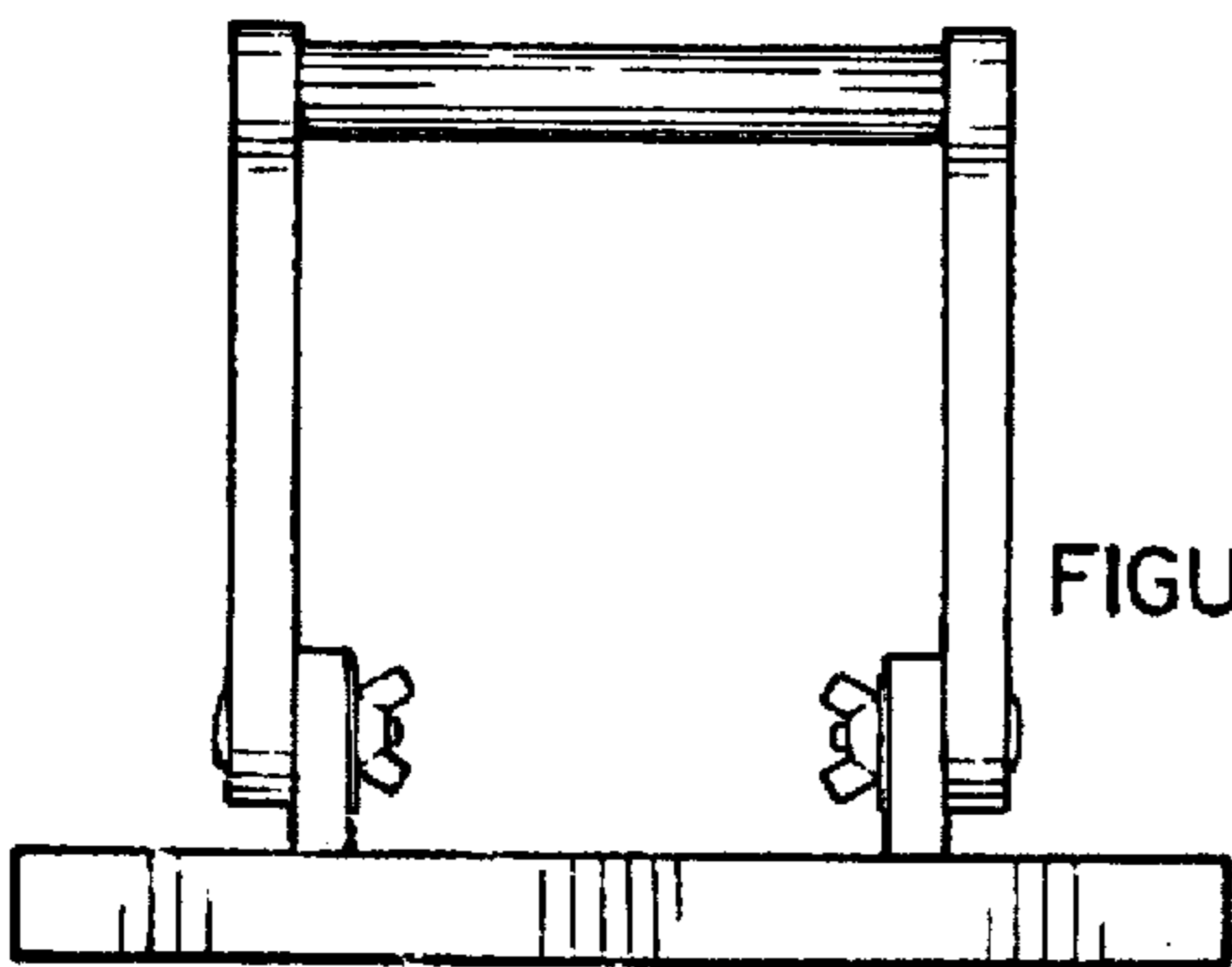


FIGURE 3

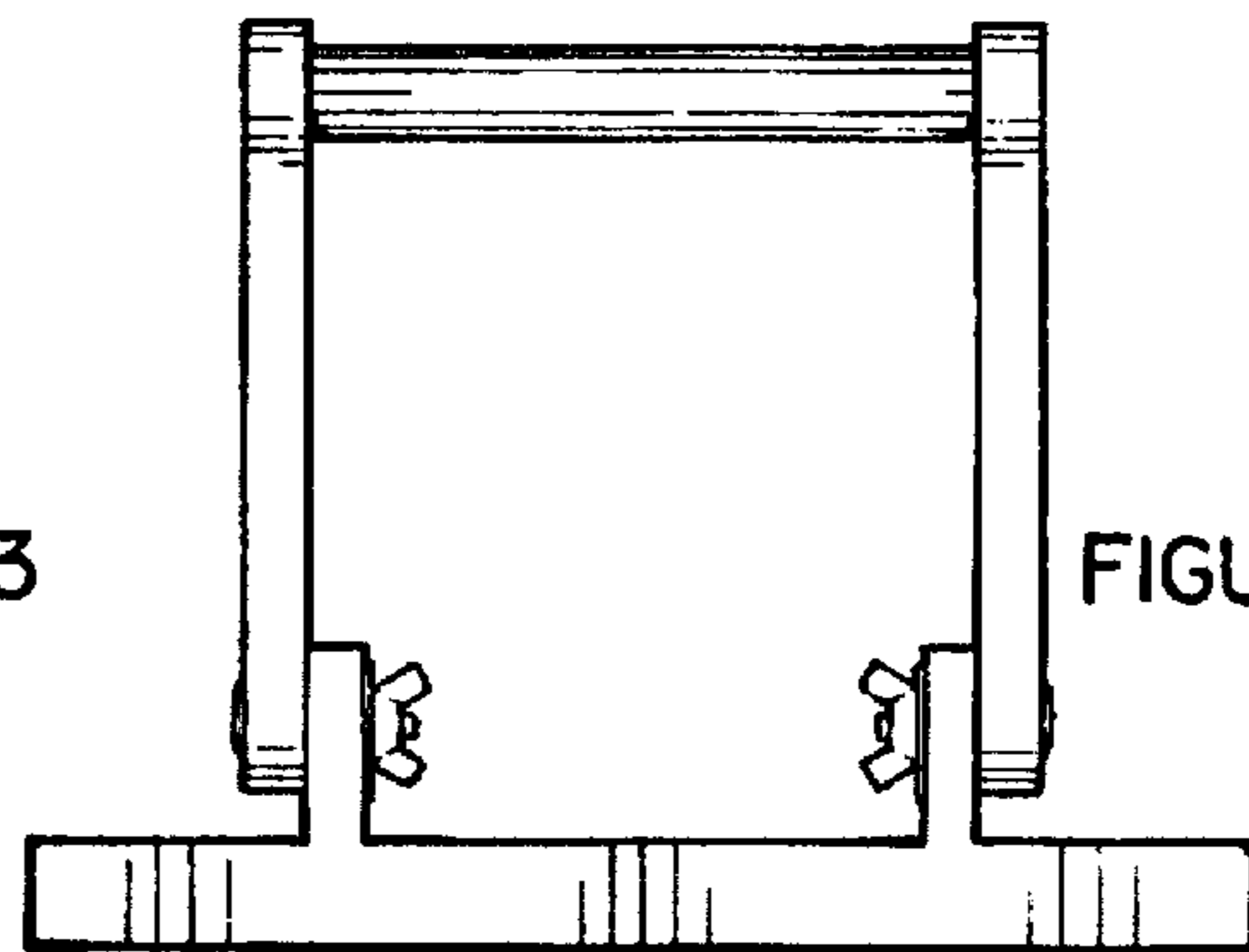


FIGURE 4