



US00D384432S

United States Patent [19]

[11] Patent Number: **Des. 384,432**

Octavio

[45] Date of Patent: ****Sep. 30, 1997**

[54] **CHANDELIER WITH DECORATIVE SCROLL FRAME**

D. 373,003 8/1996 Dolan D26/84

[75] Inventor: **José Llusà Octavio**, Barcelona, Spain

Primary Examiner—Susan J. Lucas

Attorney, Agent, or Firm—Paul Y. Feng; Fulwider, Patton, Lee & Utecht

[73] Assignee: **Jimway, Inc.**, Rancho Dominguez, Calif.

[57] **CLAIM**

[**] Term: **14 Years**

The ornamental design for a chandelier with decorative scroll frame, as shown and described.

[21] Appl. No.: **56,455**

DESCRIPTION

[22] Filed: **Jun. 28, 1996**

FIG. 1 is a side elevational view of a chandelier with decorative scroll frame showing my new design;

[51] LOC (6) Cl. **26-05**

FIG. 2 is a lower side perspective view of a chandelier with decorative scroll frame showing my new design;

[52] U.S. Cl. **D26/84; D26/143**

FIG. 3 is an upper side perspective view;

[58] Field of Search **D26/72, 80-92;**

FIG. 4 is a bottom view; and,

362/147, 404-407, 143, 144

FIG. 5 is a top plan view.

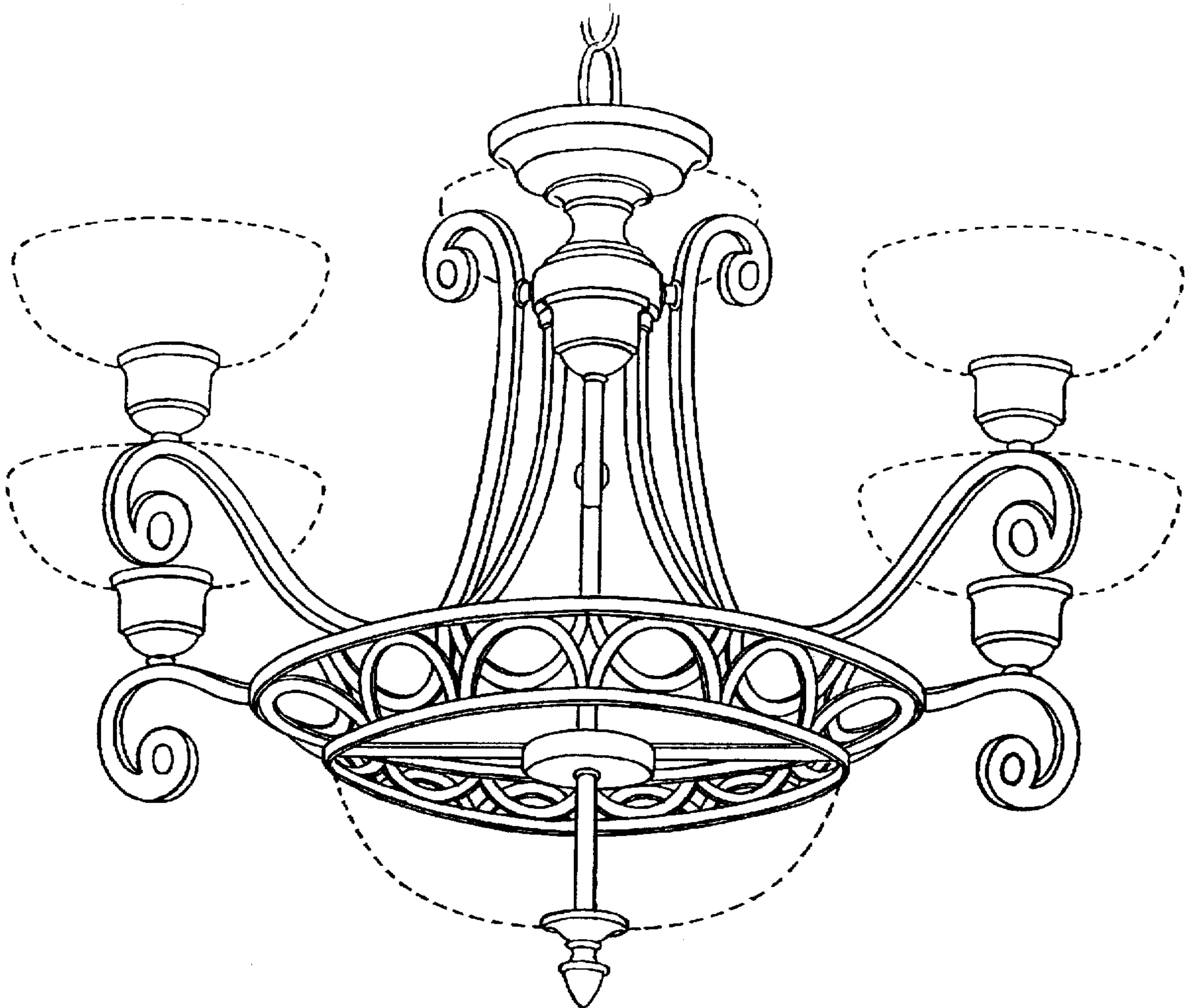
The broken lines are shown for illustrative purposes only and form no part of the claimed design.

[56] **References Cited**

U.S. PATENT DOCUMENTS

D. 49,240 6/1916 Wagner et al. D26/90

1 Claim, 5 Drawing Sheets



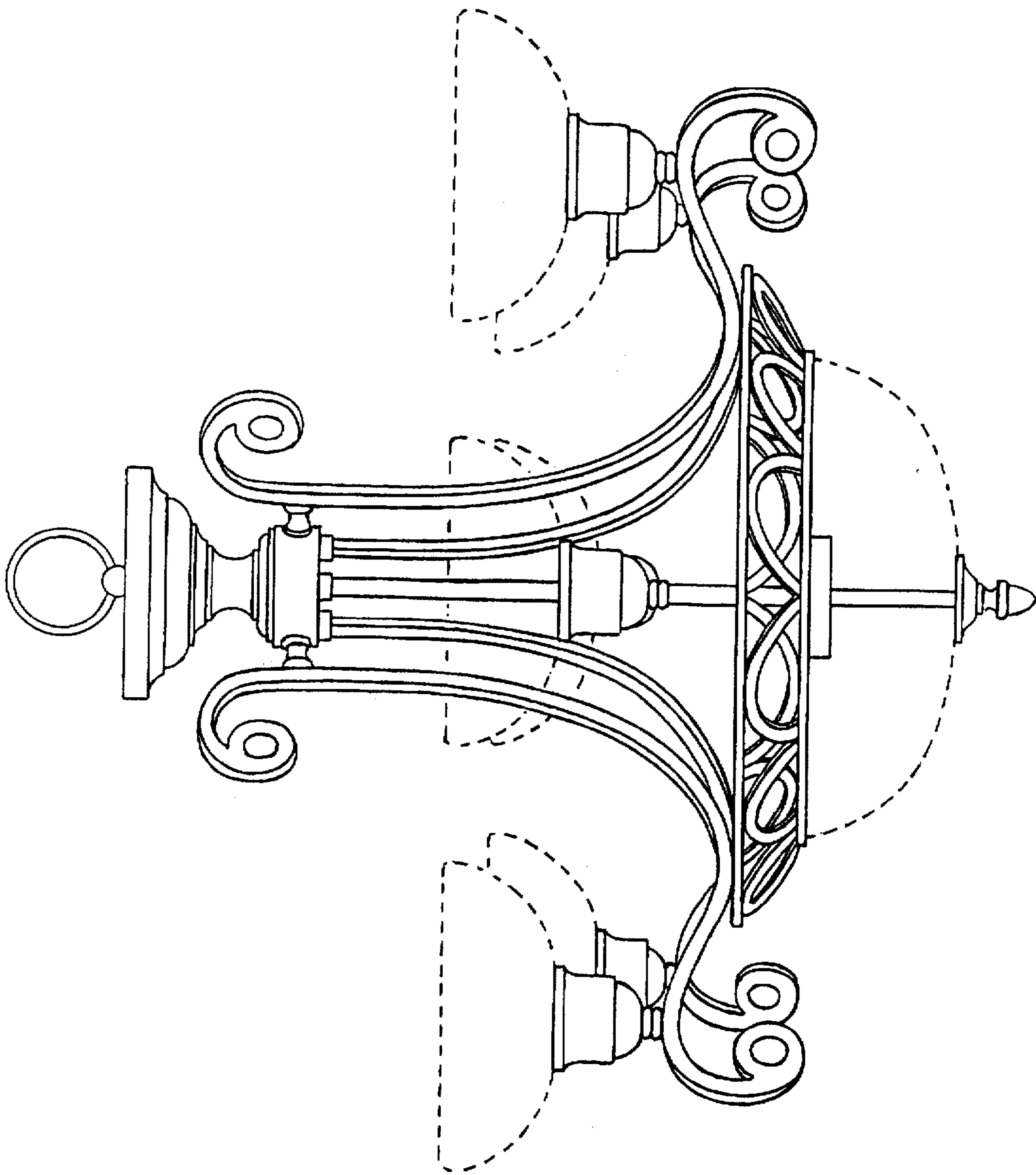


Figure 1

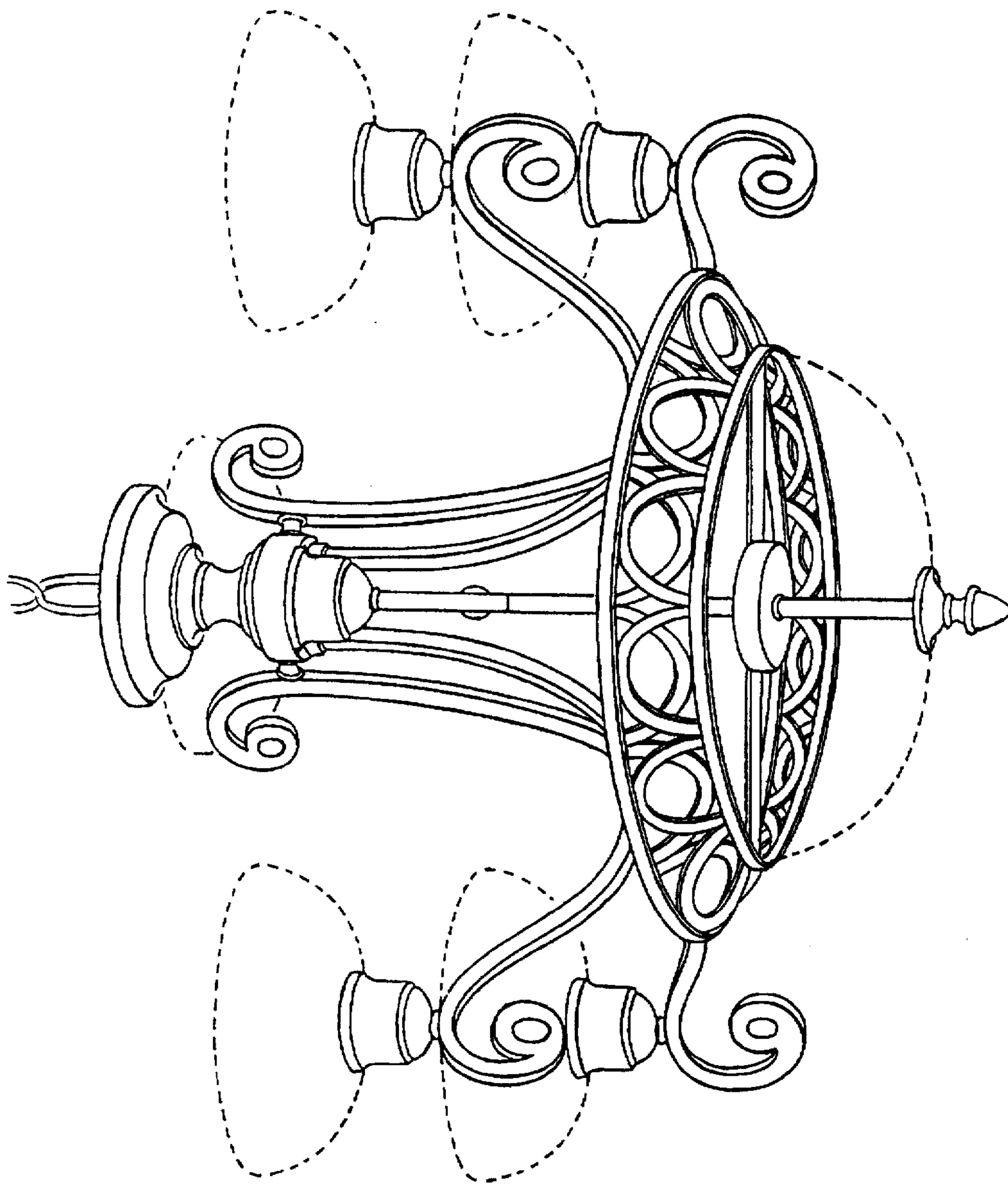


Figure 2

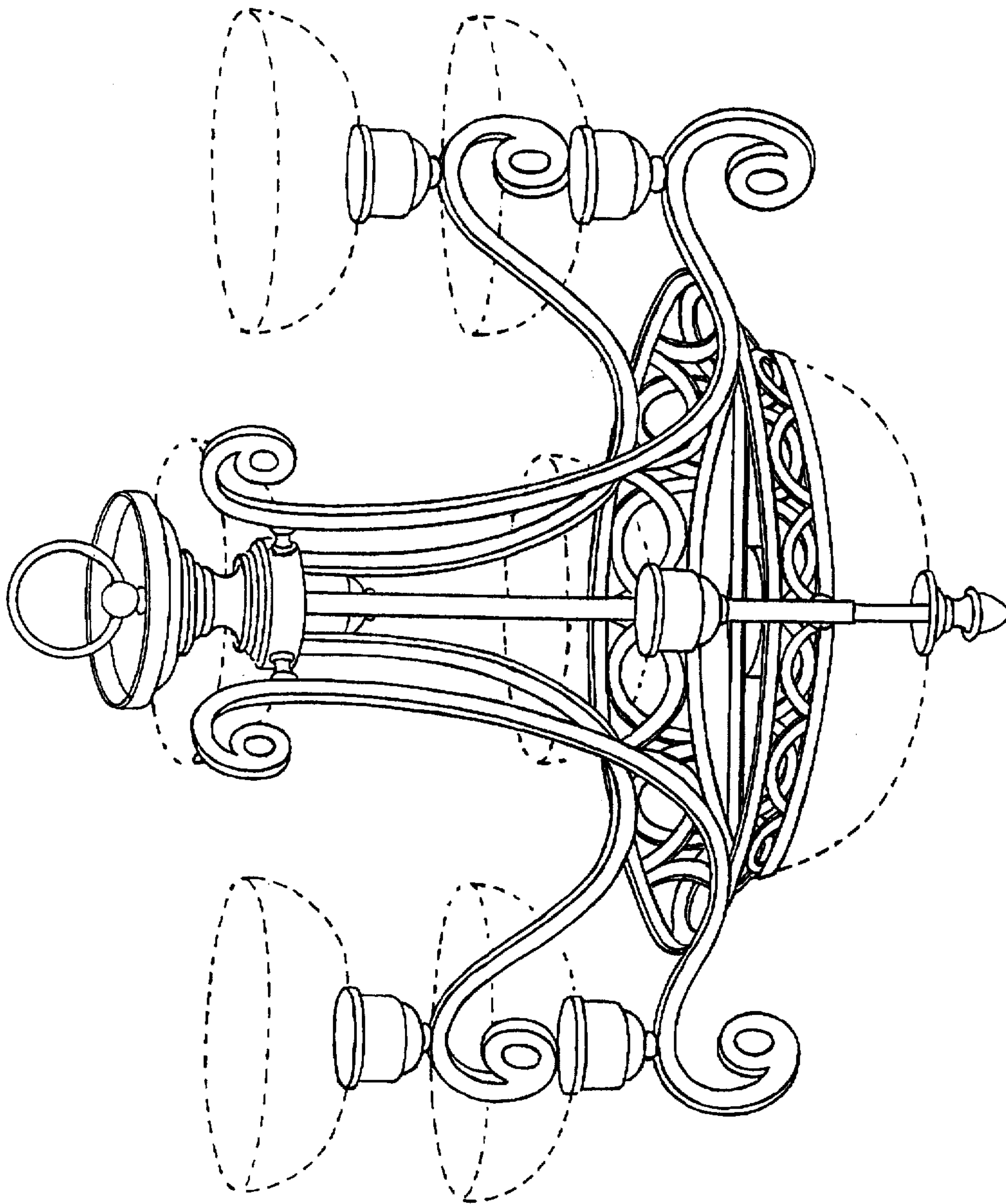


Figure 3

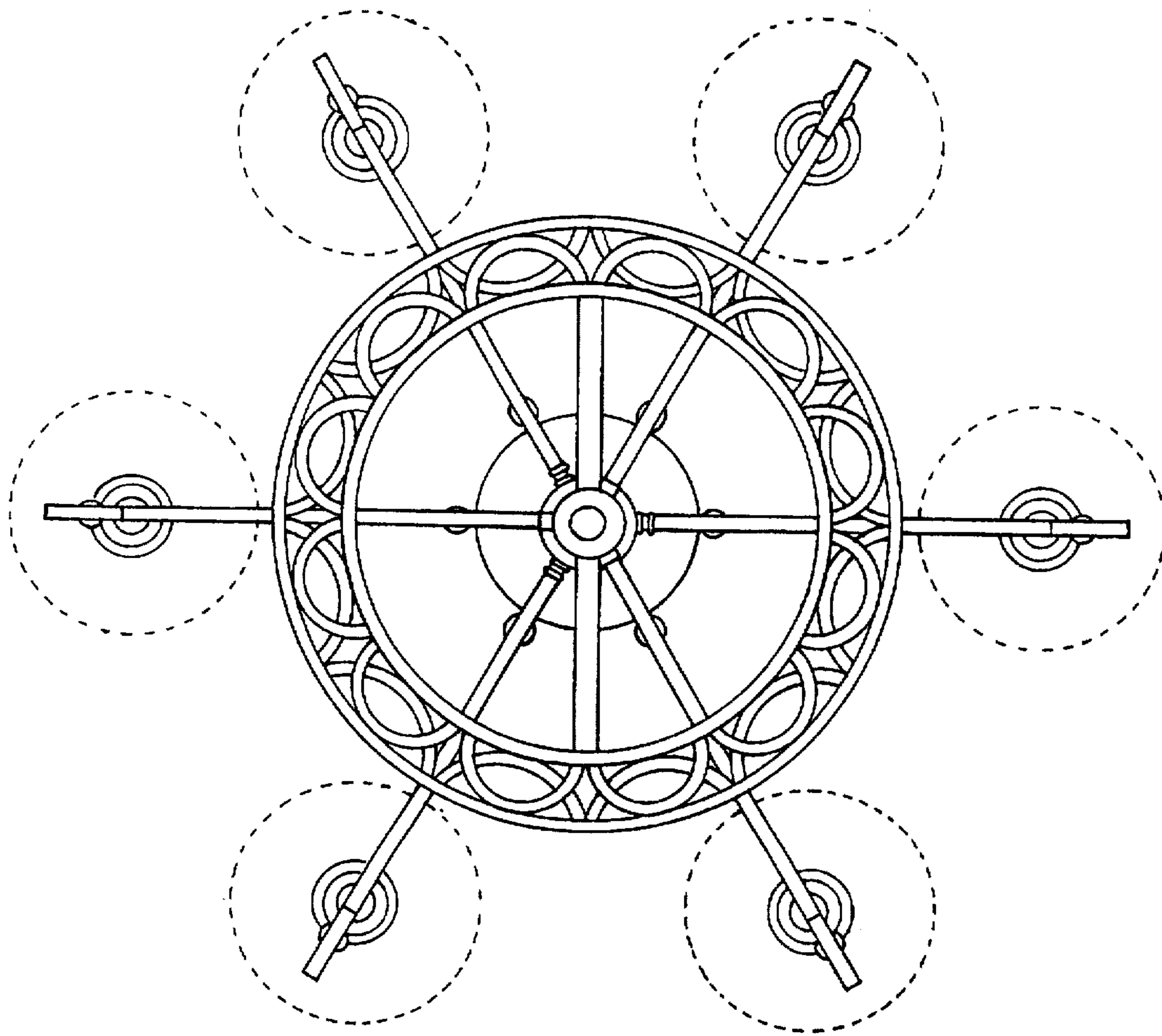


Figure 4

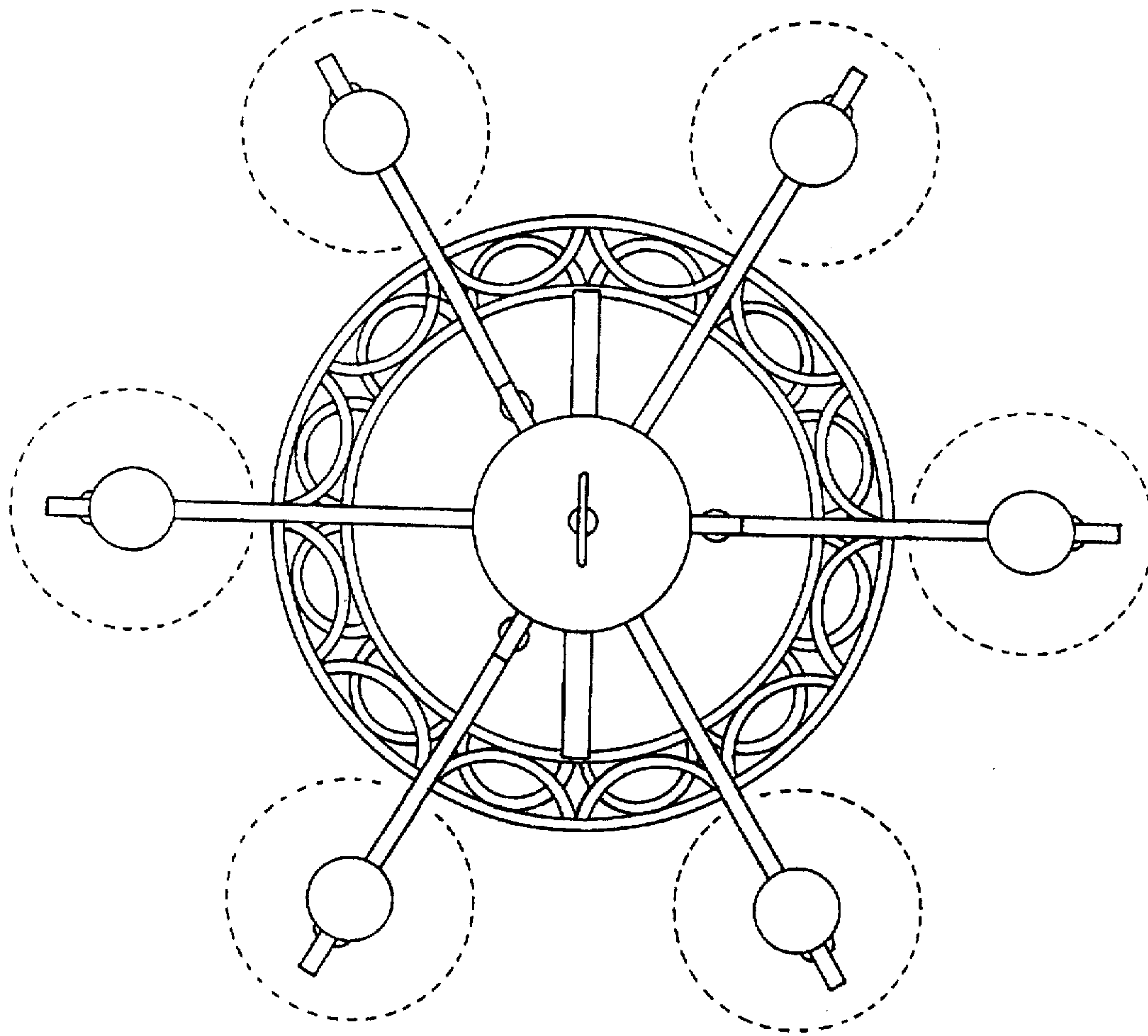


Figure 5