



US00D384431S

# United States Patent [19]

Bitton

[11] Patent Number: Des. 384,431

[45] Date of Patent: \*\*Sep. 30, 1997

## [54] RECESSED LIGHTING FIXTURE

[76] Inventor: Jacques Bitton, 27 Brookmill Drive, Thornhill Ontario, Canada, L4J 6K6

[\*\*] Term: 14 Years

[21] Appl. No.: 53,187

[22] Filed: Apr. 8, 1996

[51] LOC (6) Cl. .... 26-05

[52] U.S. Cl. .... D26/74

[58] Field of Search ..... D26/74, 113, 118; 362/147, 148, 277, 269, 364, 365, 366, 346

## [56] References Cited

### U.S. PATENT DOCUMENTS

4,972,339 11/1990 Gabrius ..... 362/365 X

## OTHER PUBLICATIONS

Home Lighting & Accessories, Jan. 1994, p. 17, Recessed Lighting Fixture #HR-8401.

Primary Examiner—Susan J. Lucas  
Attorney, Agent, or Firm—Douglas W. Eggins

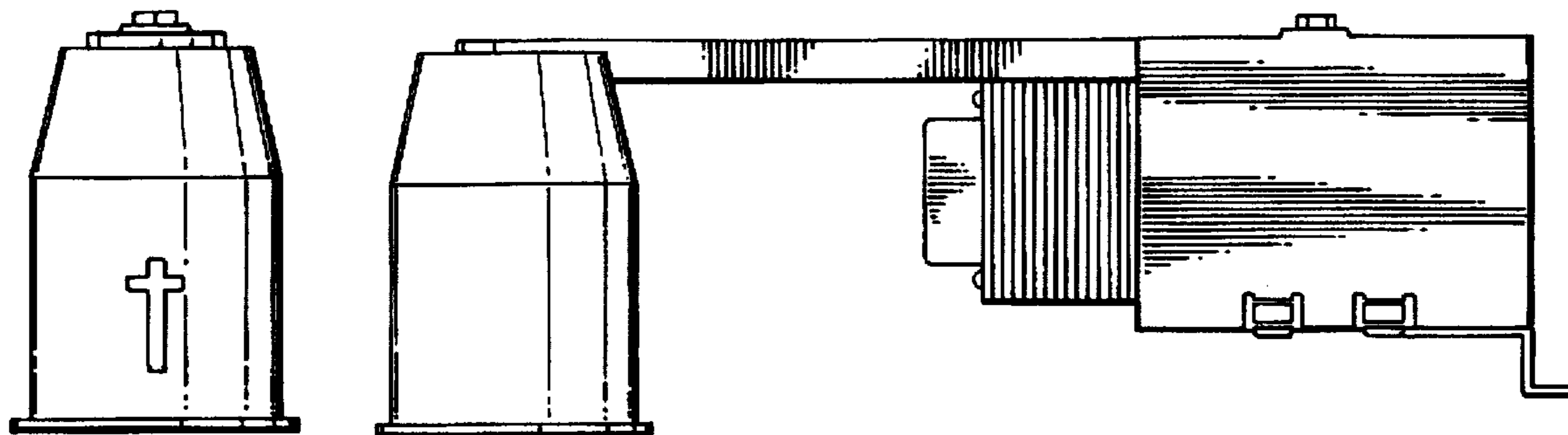
## [57] CLAIM

The ornamental design for a recessed lighting fixture, as shown and described.

## DESCRIPTION

FIG. 1 is a top plan view of a recessed lighting fixture showing my new design;  
FIG. 2 is a bottom plan view thereof;  
FIG. 3 is an end perspective taken from the right of FIG. 1;  
FIG. 4 is an end perspective taken from the left of FIG. 1;  
FIG. 5 is a rear elevation; and,  
FIG. 6 is a front elevation thereof.

1 Claim, 2 Drawing Sheets



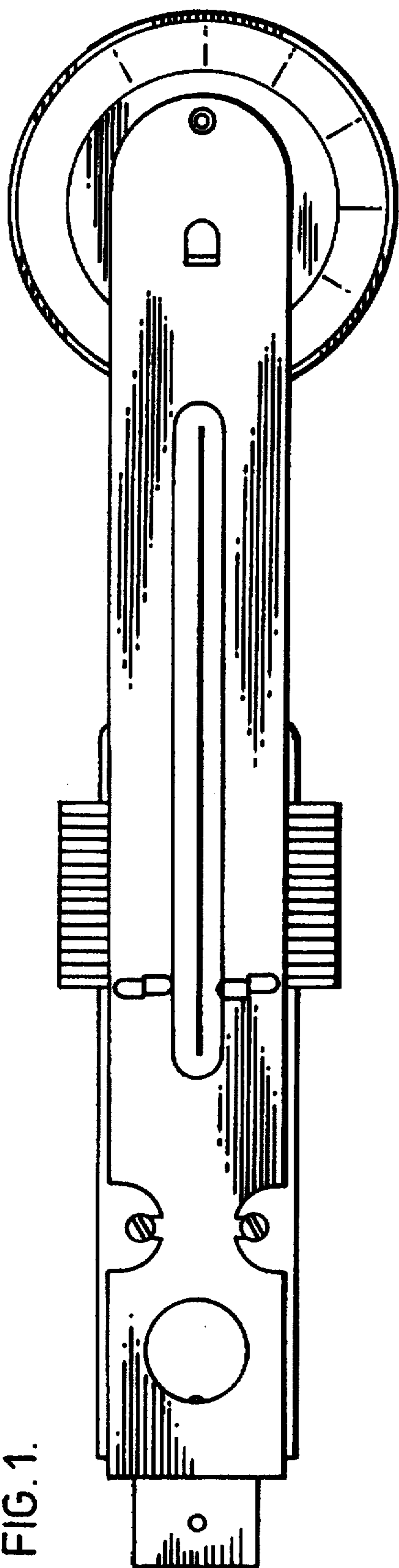


FIG. 1.

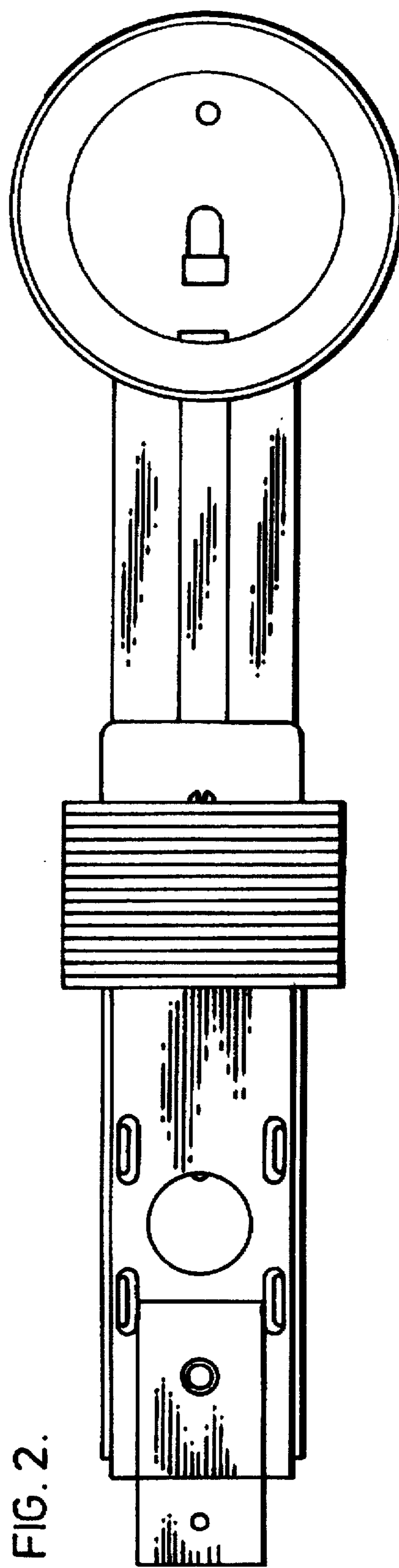


FIG. 2.

FIG. 3.

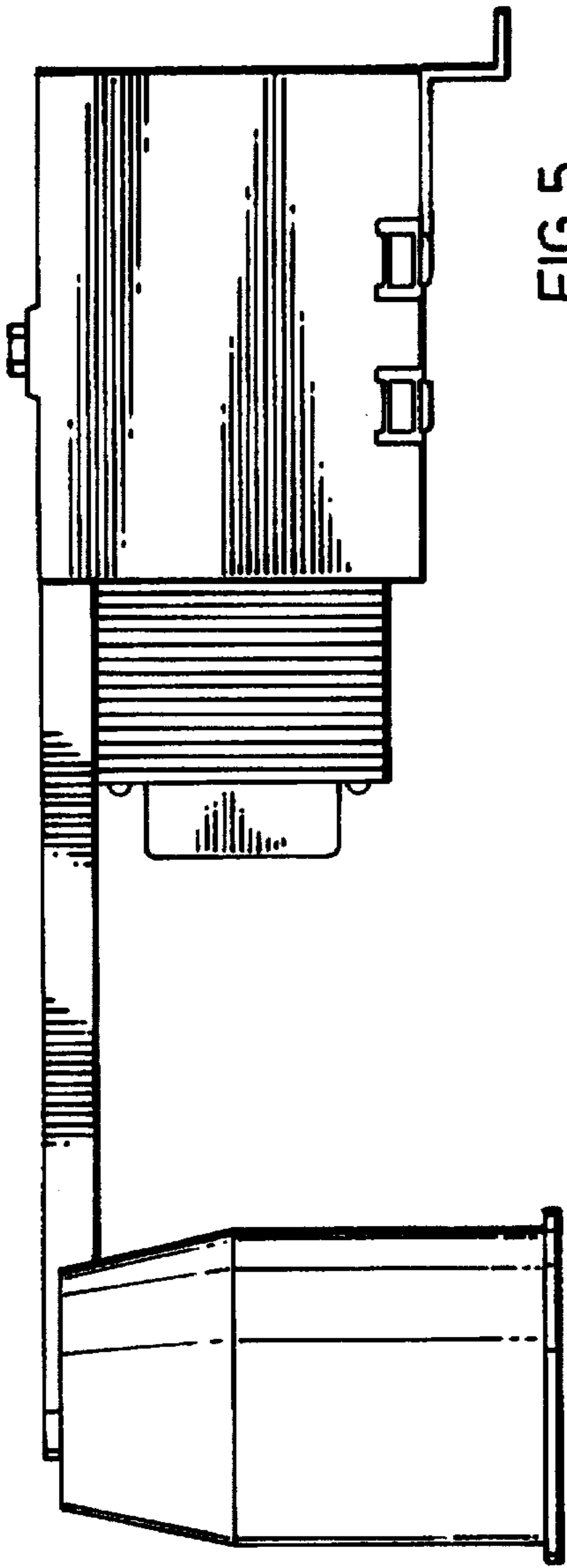
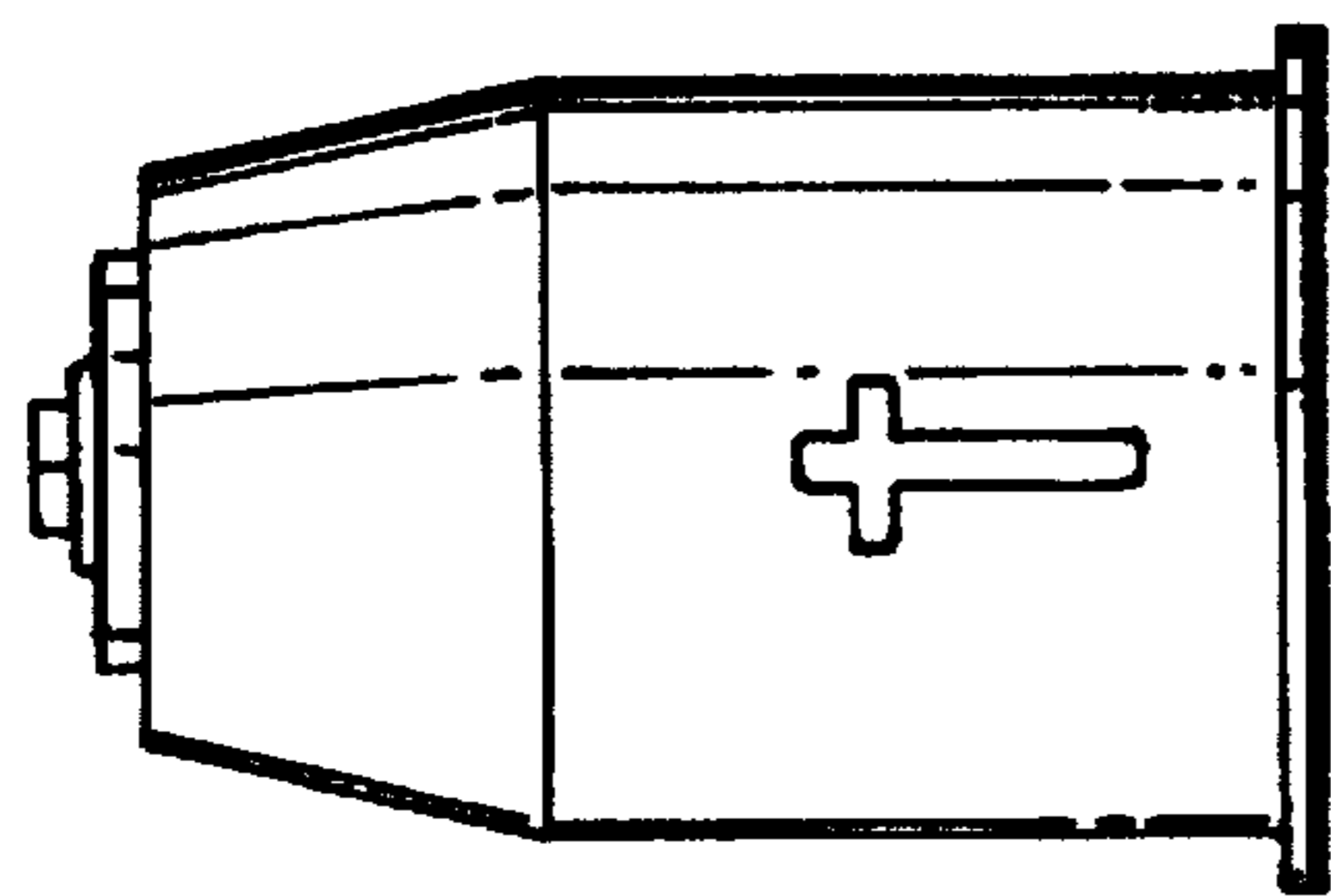


FIG. 5.

FIG. 4.

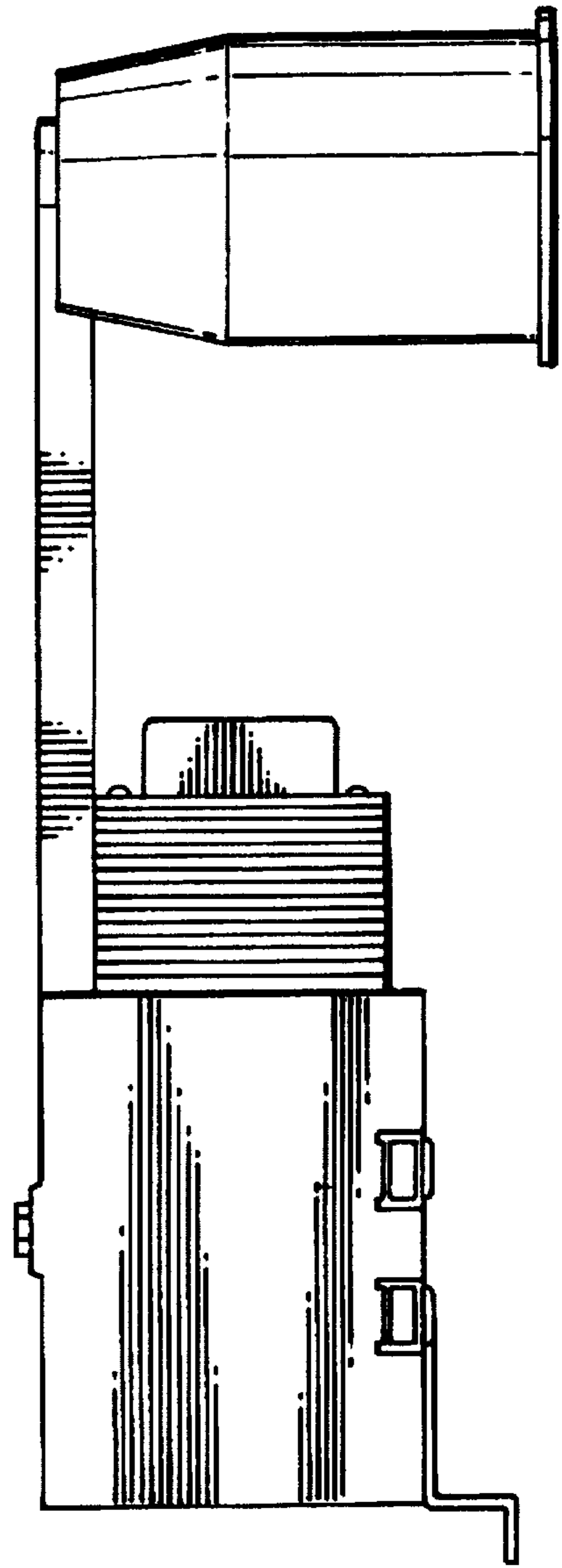
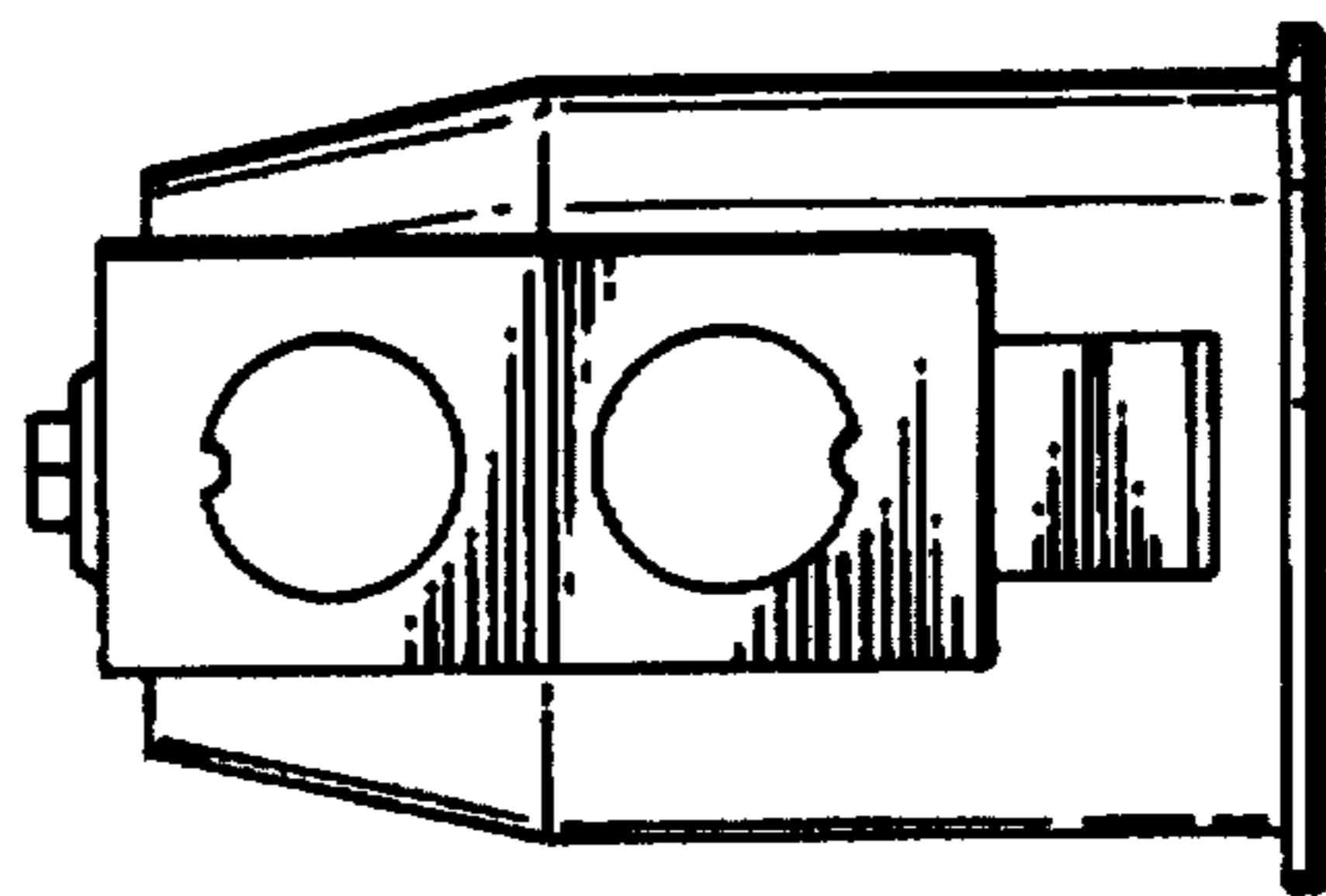


FIG. 6.