



US00D384420S

# United States Patent [19] Irvin

[11] Patent Number: **Des. 384,420**  
[45] Date of Patent: **\*\*Sep. 30, 1997**

- [54] **INSTANT PRIVATE FENCE**
- [76] Inventor: **Jery D. Irvin**, 18336 Rosemont,  
Detroit, Mich. 48219
- [\*\*] Term: **14 Years**
- [21] Appl. No.: **44,325**
- [22] Filed: **Sep. 22, 1995**
- [51] LOC (6) Cl. .... **25-02**
- [52] U.S. Cl. .... **D25/38**
- [58] Field of Search ..... **D25/38-46; 256/19,**  
**256/24, 32, 27, 1**

2-104876 4/1990 Japan .  
3-122379 5/1991 Japan .  
902603 8/1962 United Kingdom ..... 256/1

*Primary Examiner*—Raphael Barkai  
*Assistant Examiner*—Adir Aronovich  
*Attorney, Agent, or Firm*—Richard C. Litman

### [57] CLAIM

The ornamental design for an instant private fence, as shown and described.

### DESCRIPTION

FIG. 1 is a front elevational view of an instant private fence showing my new design;  
FIG. 2 is a front elevational view with the rear elevational view being a mirror image thereof;  
FIG. 3 is a right side elevational view with the left side being a mirror image thereof;  
FIG. 4 is a top view with the bottom view being a mirror image thereof; and,  
FIG. 5 is an enlarged fragmentary perspective view of the fastening element thereof.  
The broken line showing of the fence attachments in FIGS. 1 and 5 and the vine in FIG. 1 is for illustrative purposes only and forms no part of the claimed design. The fence shown fragmentarily in FIGS. 1-4 is intended to indicate an indeterminate length.

### [56] References Cited

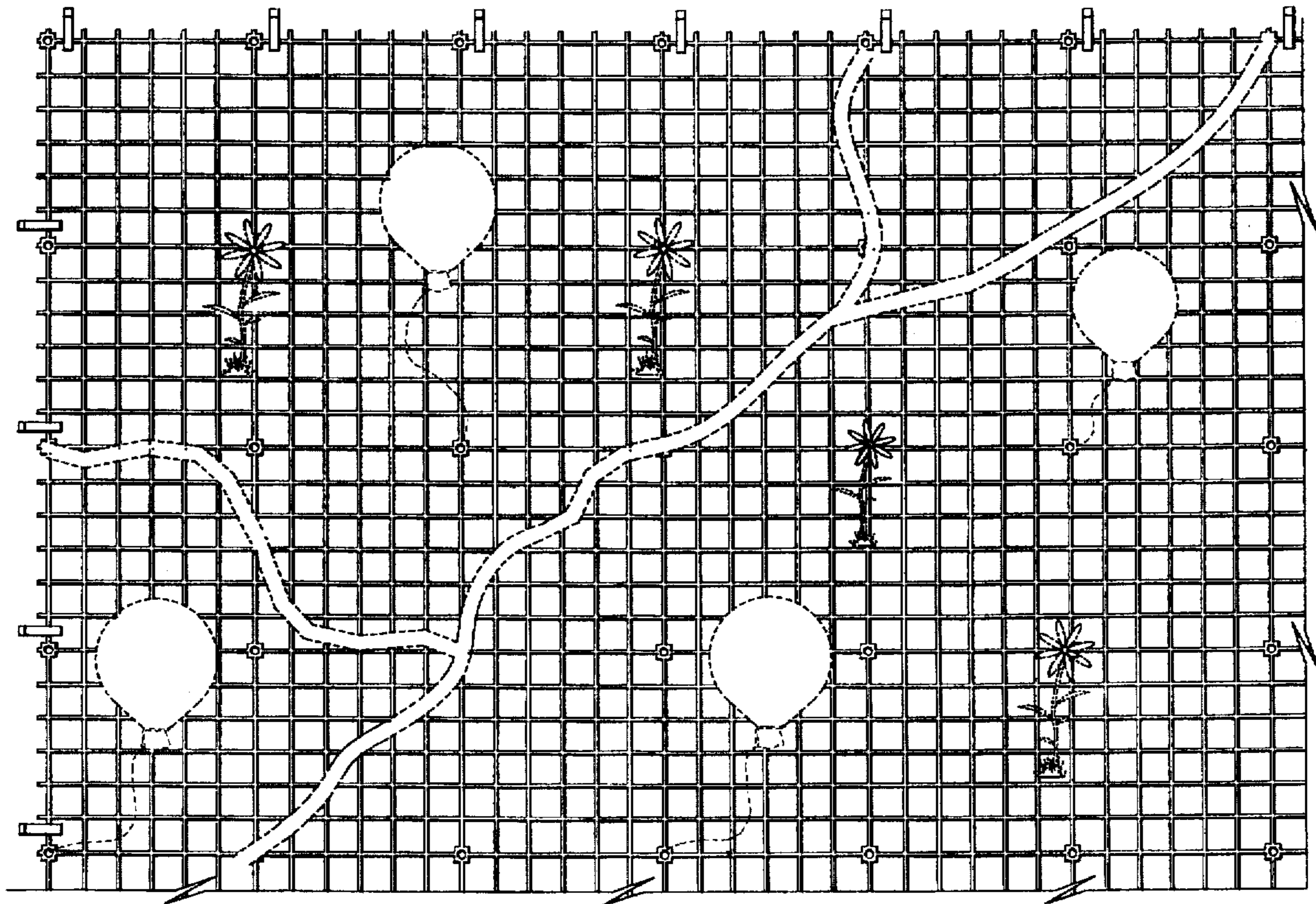
#### U.S. PATENT DOCUMENTS

D. 4,192	6/1870	Omensetter	.....	D25/40
D. 46,308	8/1914	Beistle	.....	D25/40
D. 66,406	1/1925	George	.....	D25/43
1,064,897	6/1913	Gabet	.	
2,753,156	7/1956	Rieger	.	
2,799,480	7/1957	Mead	.....	256/19
4,111,399	9/1978	Hutchison, III	.....	256/32
4,872,647	10/1989	Paradise et al.	.....	256/20
5,029,819	7/1991	Kane	.....	256/24
5,394,927	3/1995	Huebner	.....	256/1

#### FOREIGN PATENT DOCUMENTS

2207833	8/1973	Germany	.....	256/27
---------	--------	---------	-------	--------

1 Claim, 3 Drawing Sheets



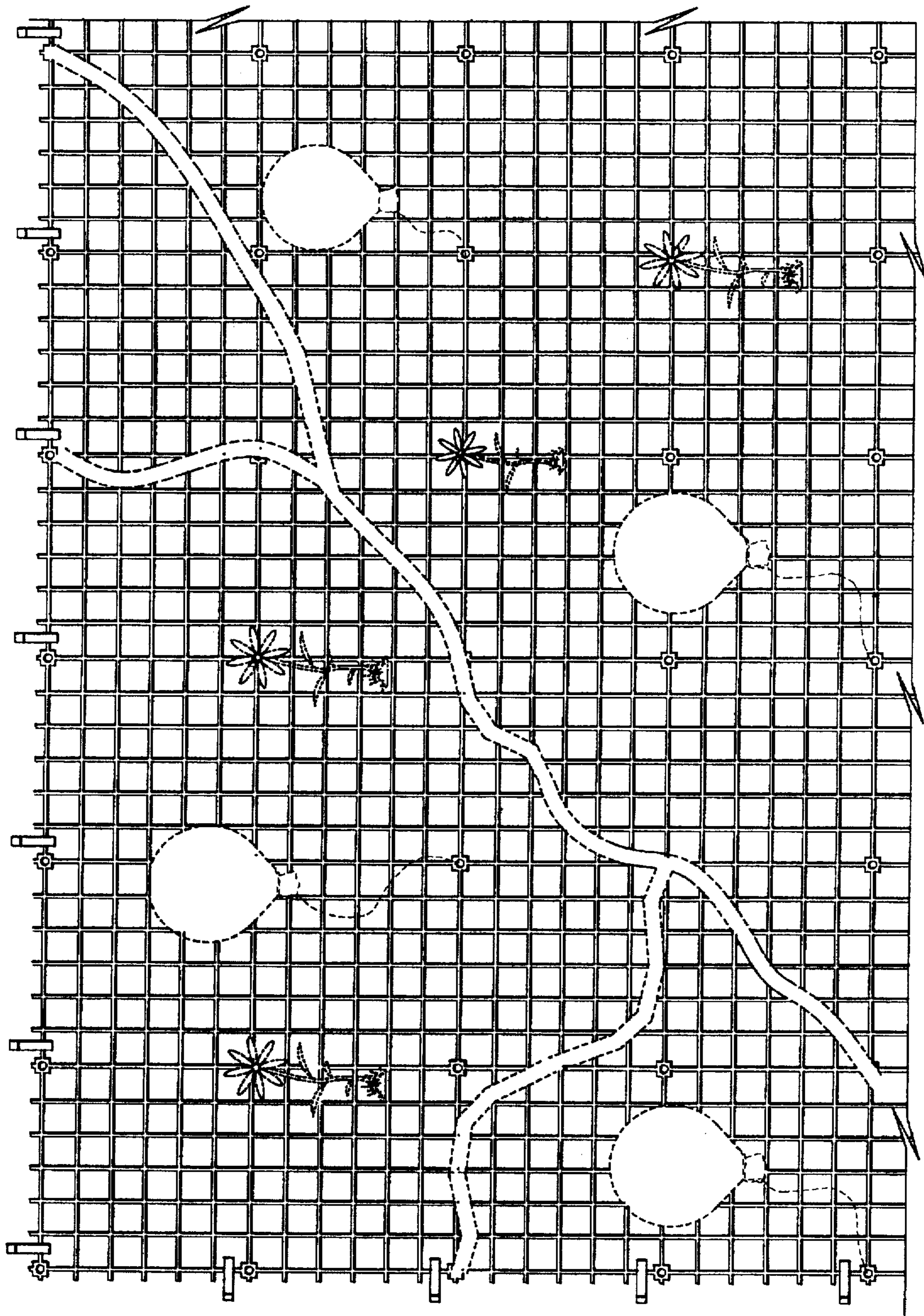


FIG. 1

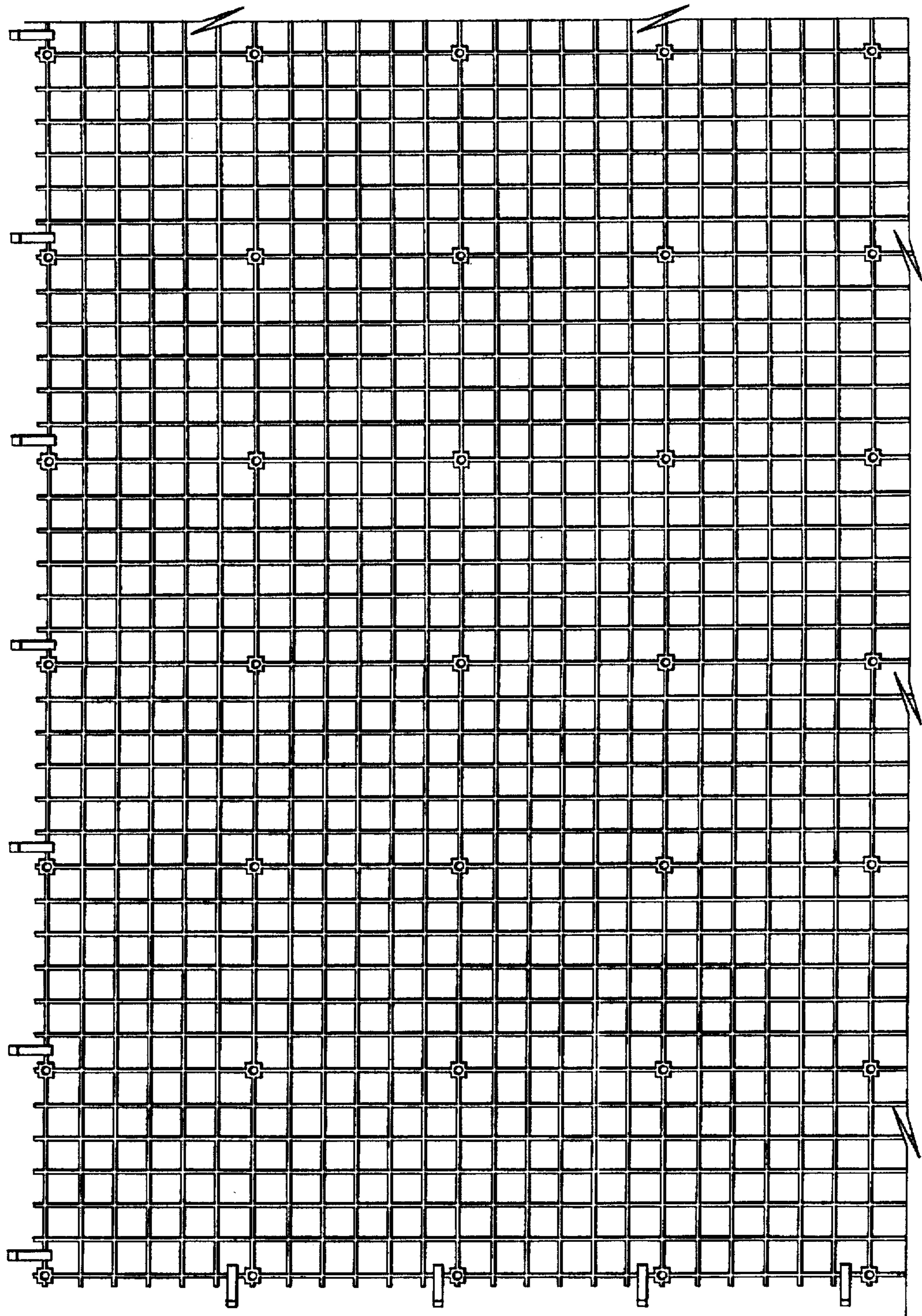
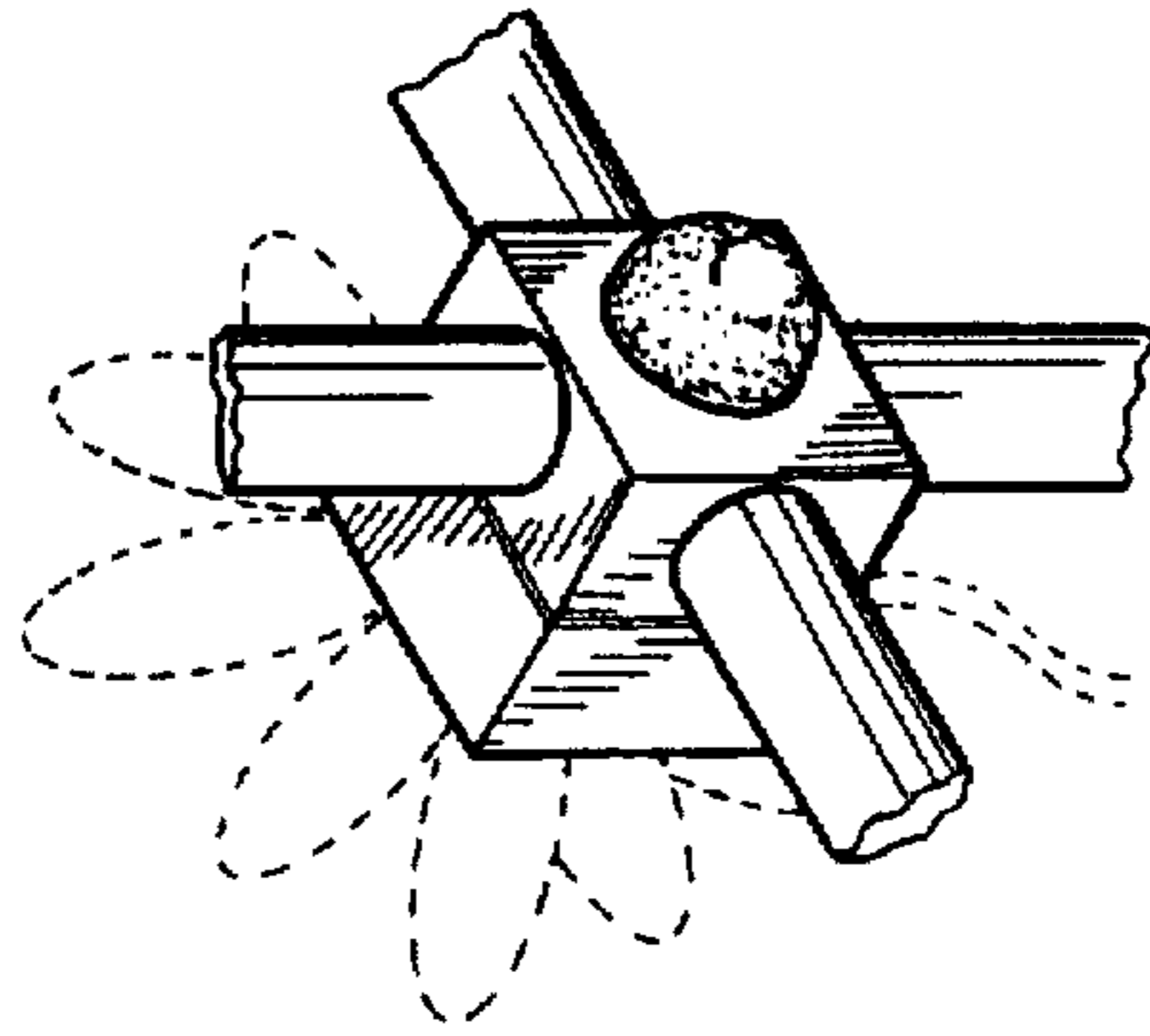


FIG. 2



*FIG. 3*



*FIG. 5*

*FIG. 4*

