



US00D384415S

United States Patent [19]

[11] Patent Number: **Des. 384,415**

Maloney et al.

[45] Date of Patent: ****Sep. 30, 1997**

[54] **CELL SEPARATION COLUMN**

4,411,783 10/1983 Dickens et al. 210/304
5,240,856 8/1993 Goffe et al. 435/299

[75] Inventors: **Patrick M. Maloney, Bothell; Michael D. Emde, Redmond; Randal A. Goffe, Arlington, all of Wash.**

*Primary Examiner—Stella Reid
Attorney, Agent, or Firm—Seed and Berry LLP*

[73] Assignee: **CellPro Incorporated, Bothell, Wash.**

[57] **CLAIM**

[**] Term: **14 Years**

The ornamental design for a cell separation column, as shown and described.

[21] Appl. No.: **40,948**

DESCRIPTION

[22] Filed: **Jun. 30, 1995**

Related U.S. Application Data

[62] Division of Ser. No. 425,379, Apr. 20, 1995, and a division of Ser. No. 425,996, Apr. 20, 1995, and a division of Ser. No. 425,997, Apr. 20, 1995, each is a division of Ser. No. 5,891, Jan. 15, 1993, which is a division of Ser. No. 780,750, Oct. 23, 1991, Pat. No. 5,240,856.

FIG. 1 is a front isometric view of a cell separation column showing our new design;

FIG. 2 is a top plan view thereof;

FIG. 3 is a bottom plan view thereof;

FIG. 4 is a front elevational view thereof;

FIG. 5 is a rear elevational view thereof;

FIG. 6 is a right-side elevational view thereof;

FIG. 7 is a left-side elevational view thereof;

FIG. 8 is a second front isometric view thereof with the broken line portions removed; and,

FIG. 9 is a second right side elevational view thereof with the broken line portions removed.

The broken lines are for illustrative purposes only and form no part of the claimed design.

[51] **LOC (6) Cl.** **24-01**

[52] **U.S. Cl.** **D24/162**

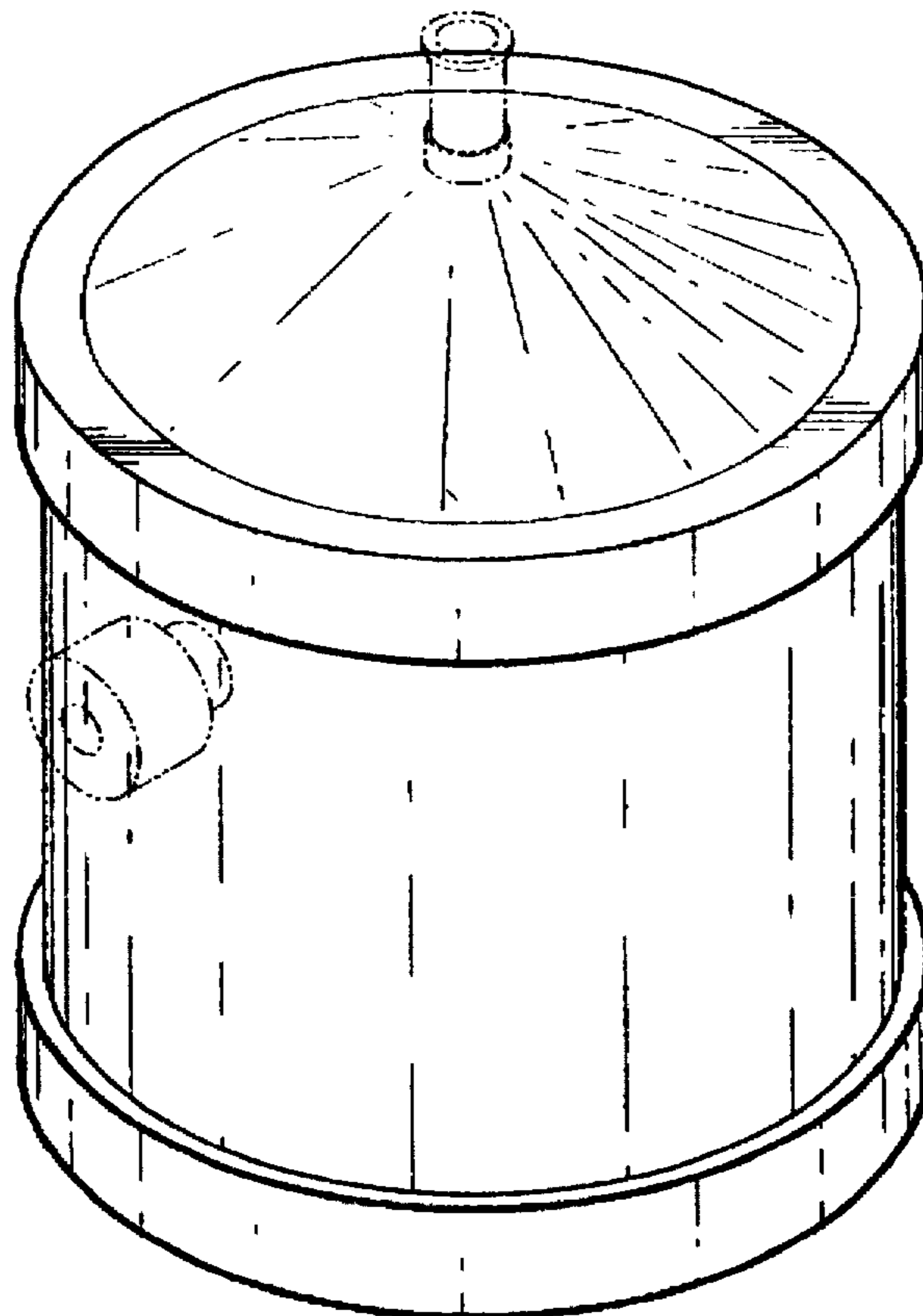
[58] **Field of Search** D24/162; 210/692, 210/691, 290, 492, 502.1, 807, 635, 198.2, 304; 435/2, 299; 436/177, 178

[56] **References Cited**

U.S. PATENT DOCUMENTS

D. 239,881 5/1976 Morgan et al. D24/162

1 Claim, 3 Drawing Sheets



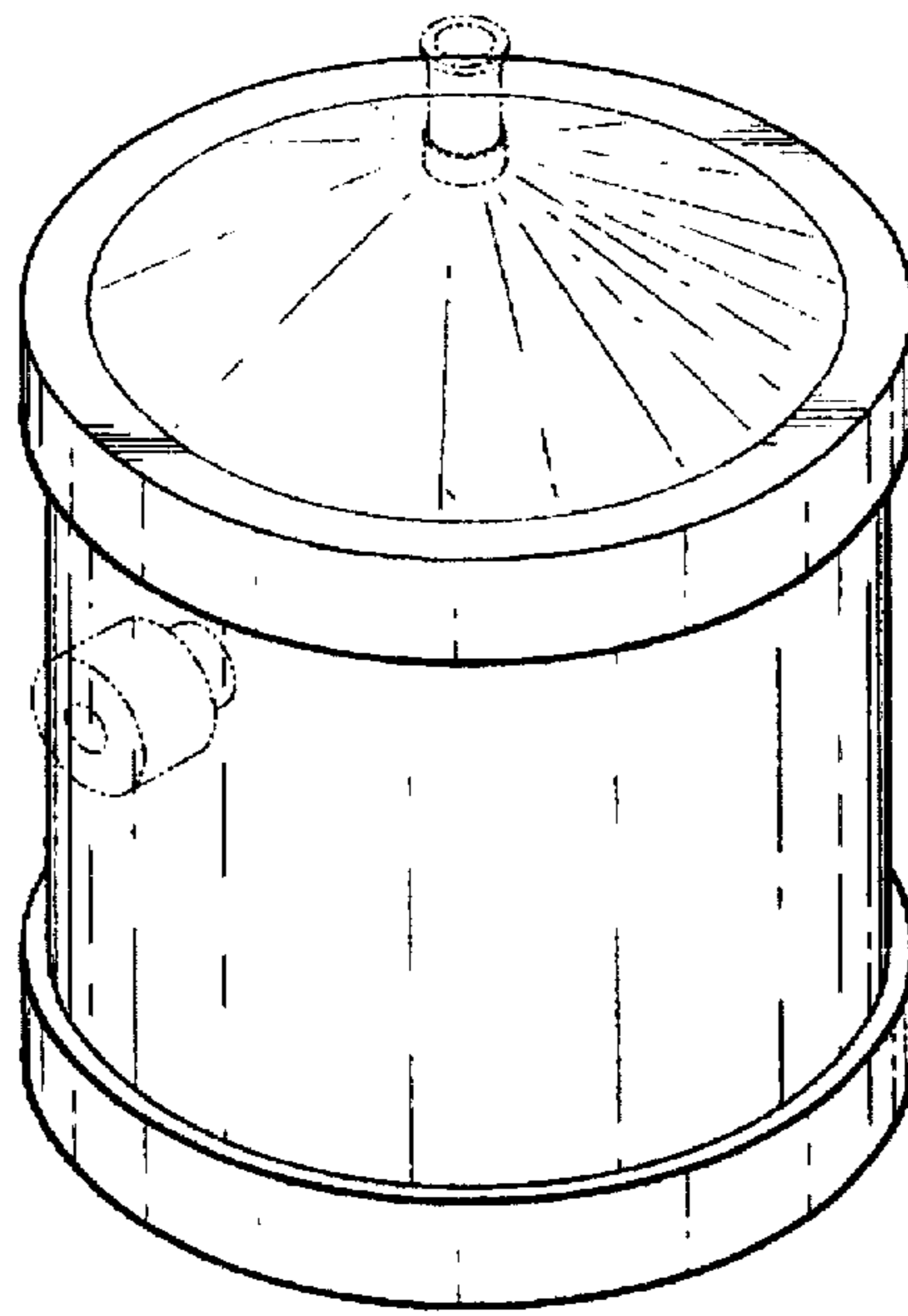


Fig. 1

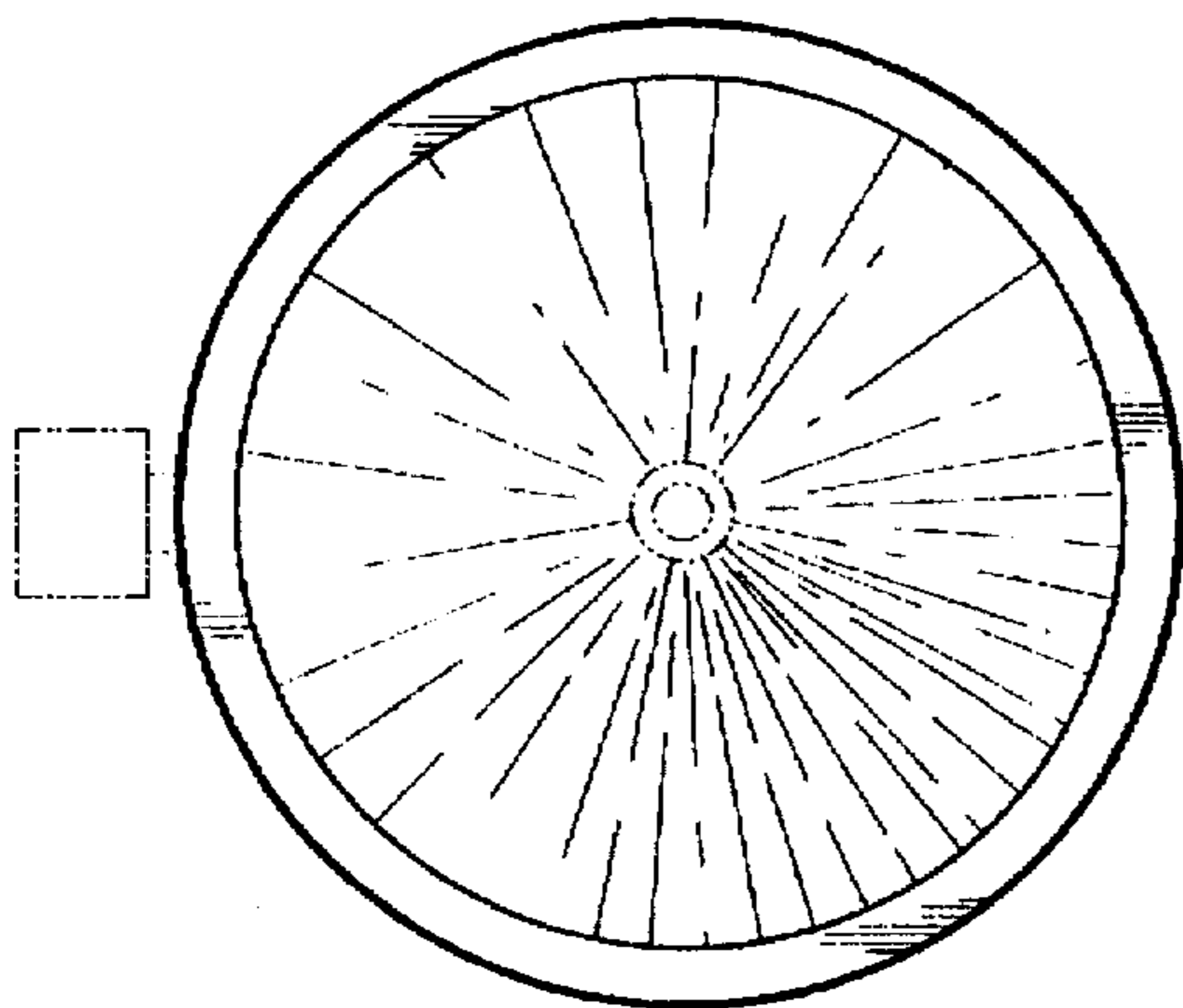


Fig. 2

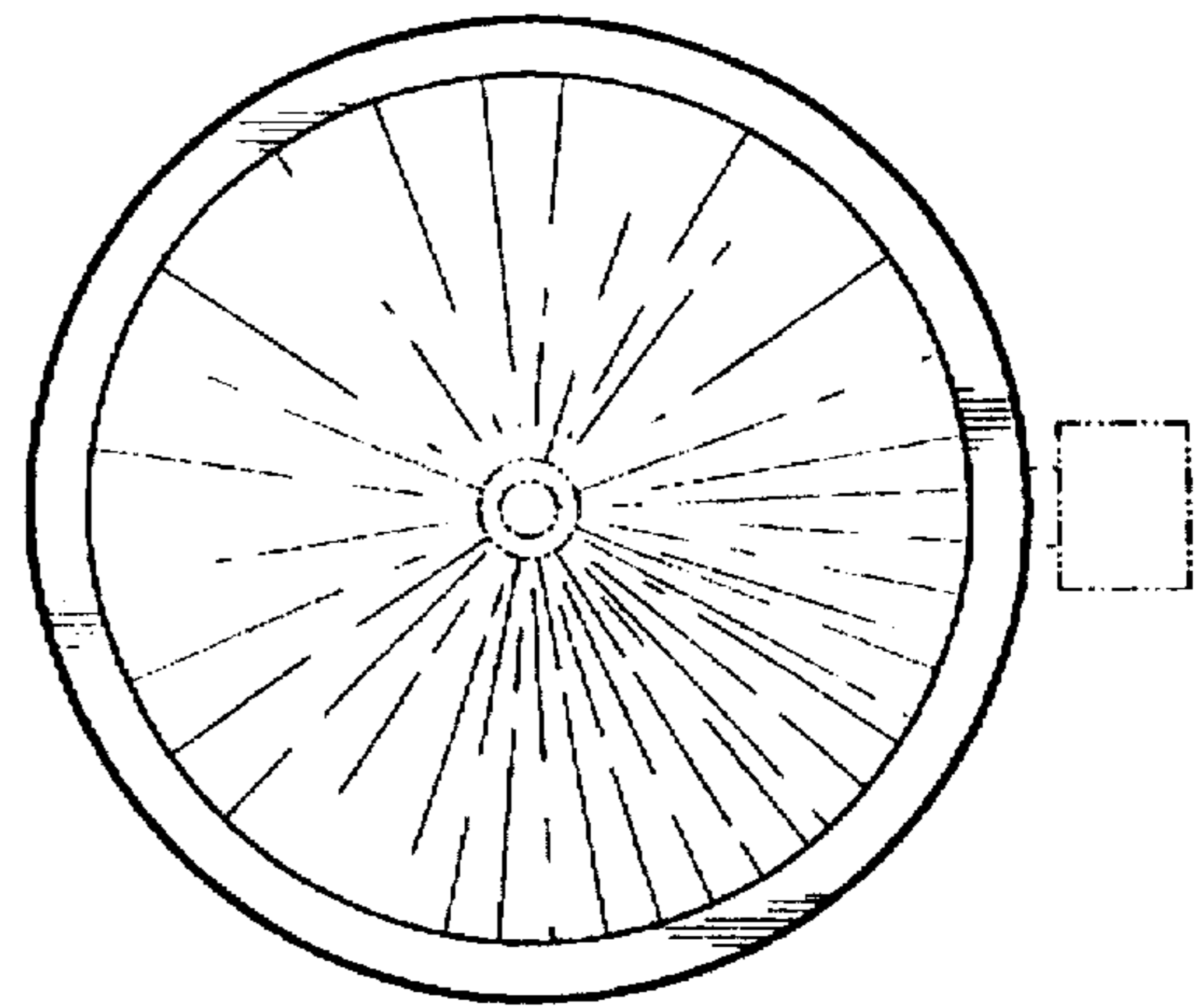


Fig. 3

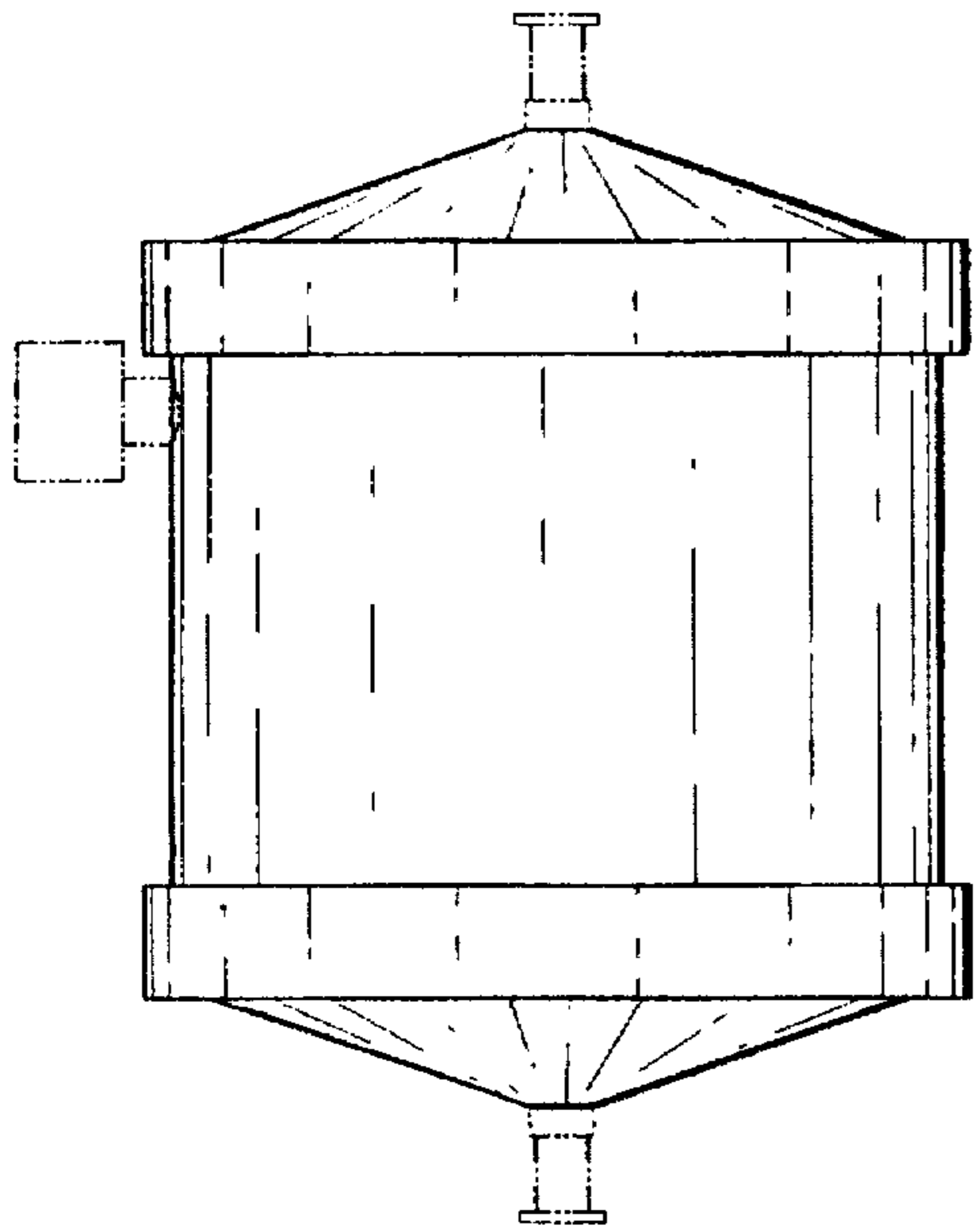


Fig. 4

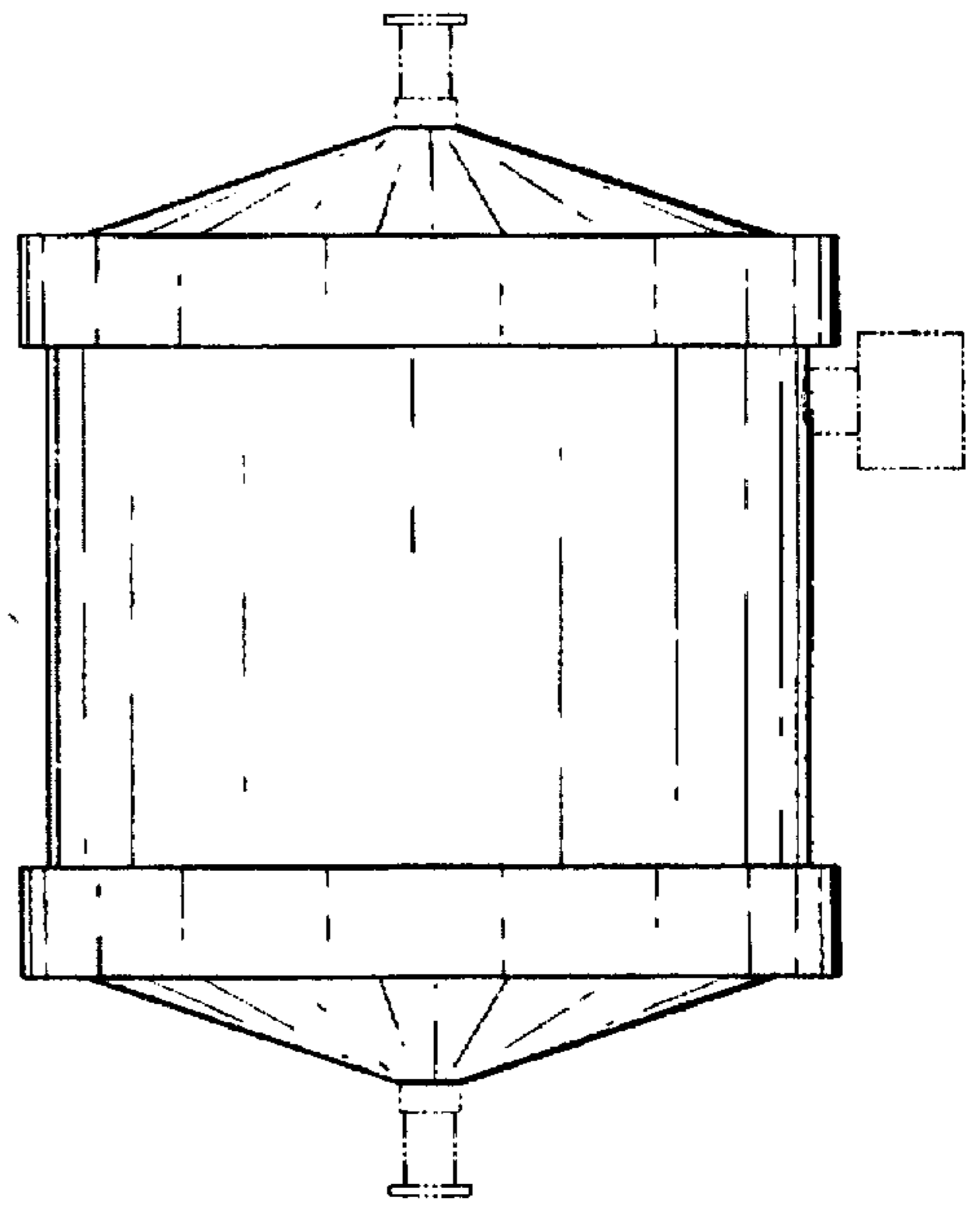


Fig. 5

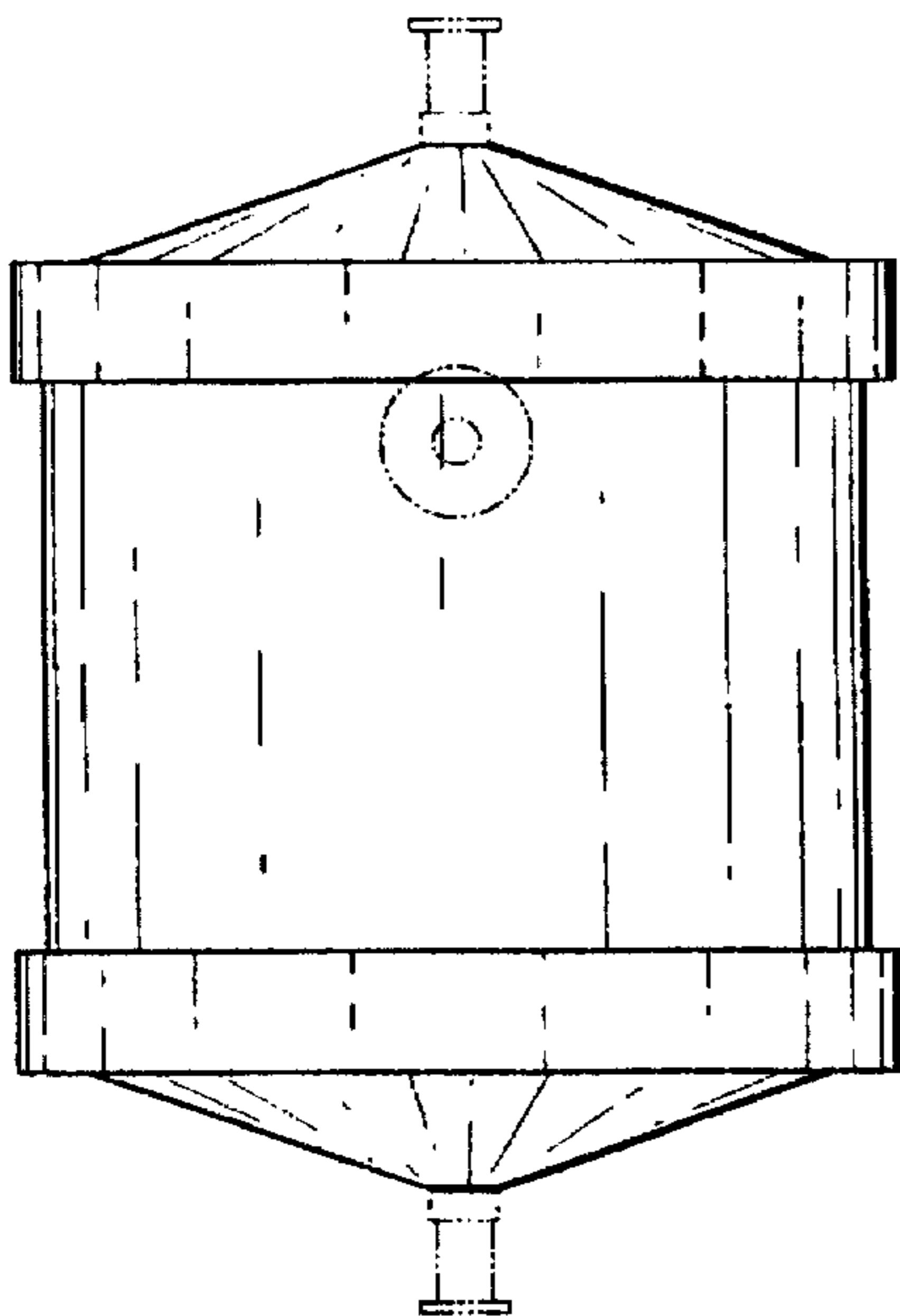


Fig. 6

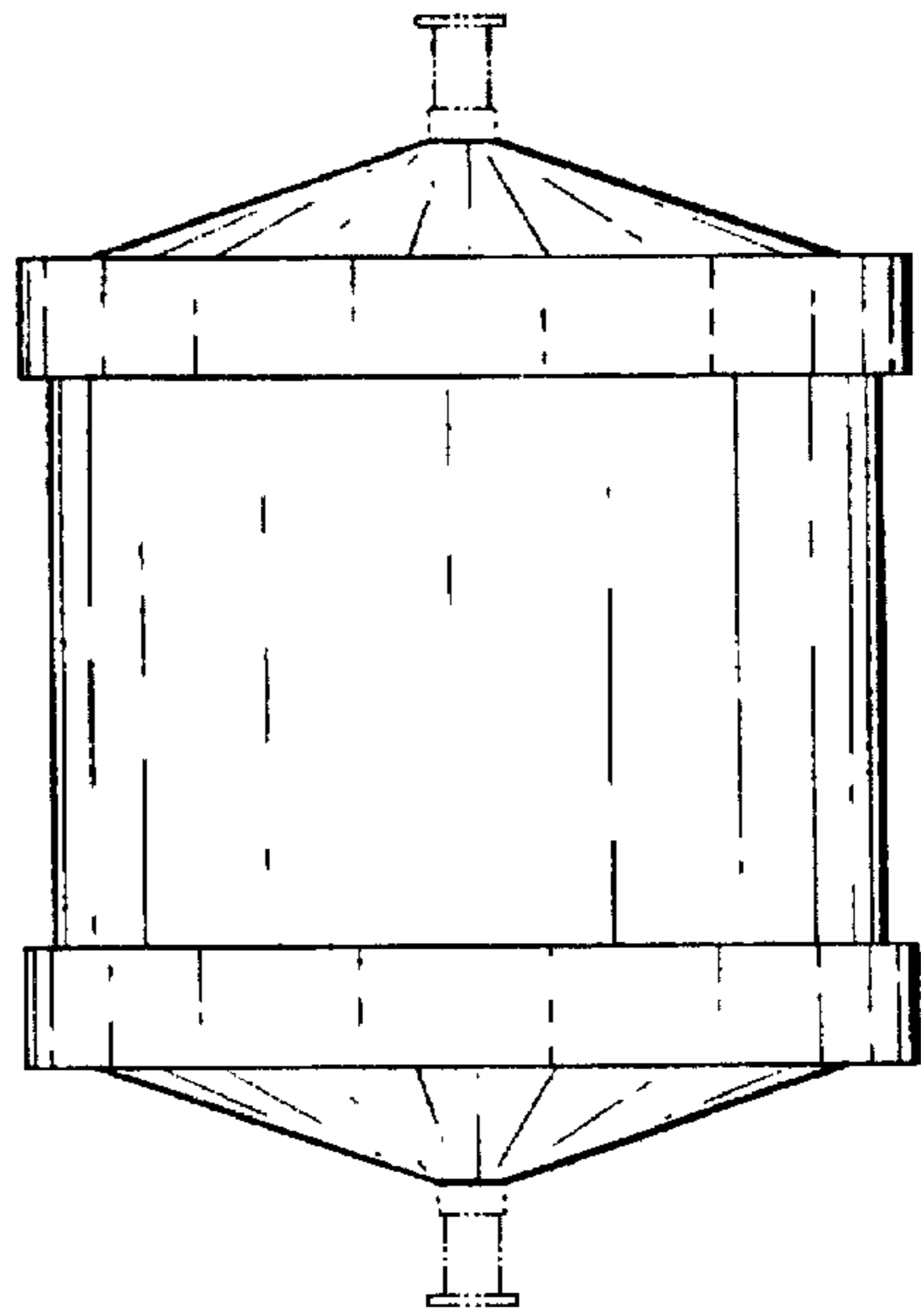


Fig. 7

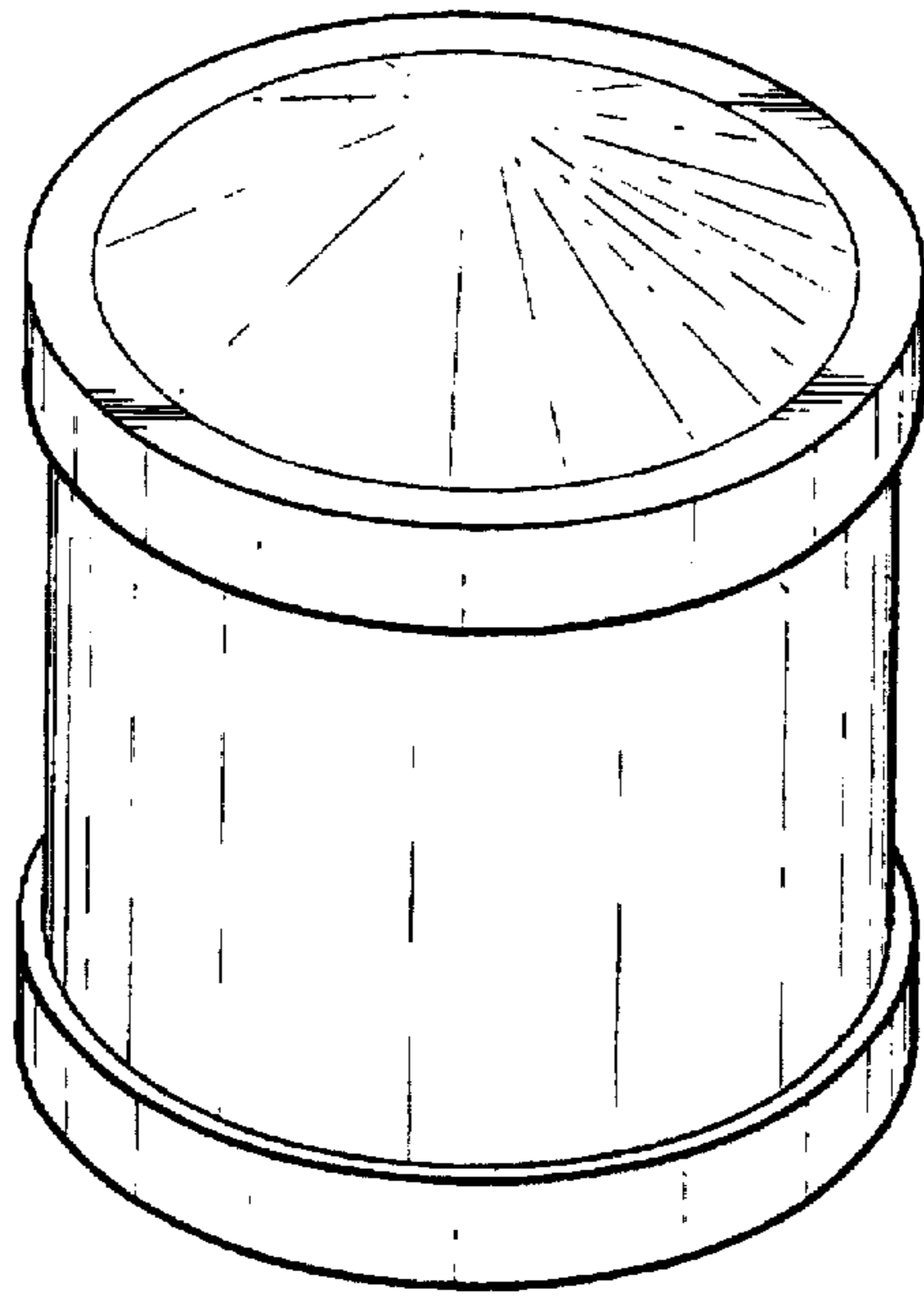


Fig. 8

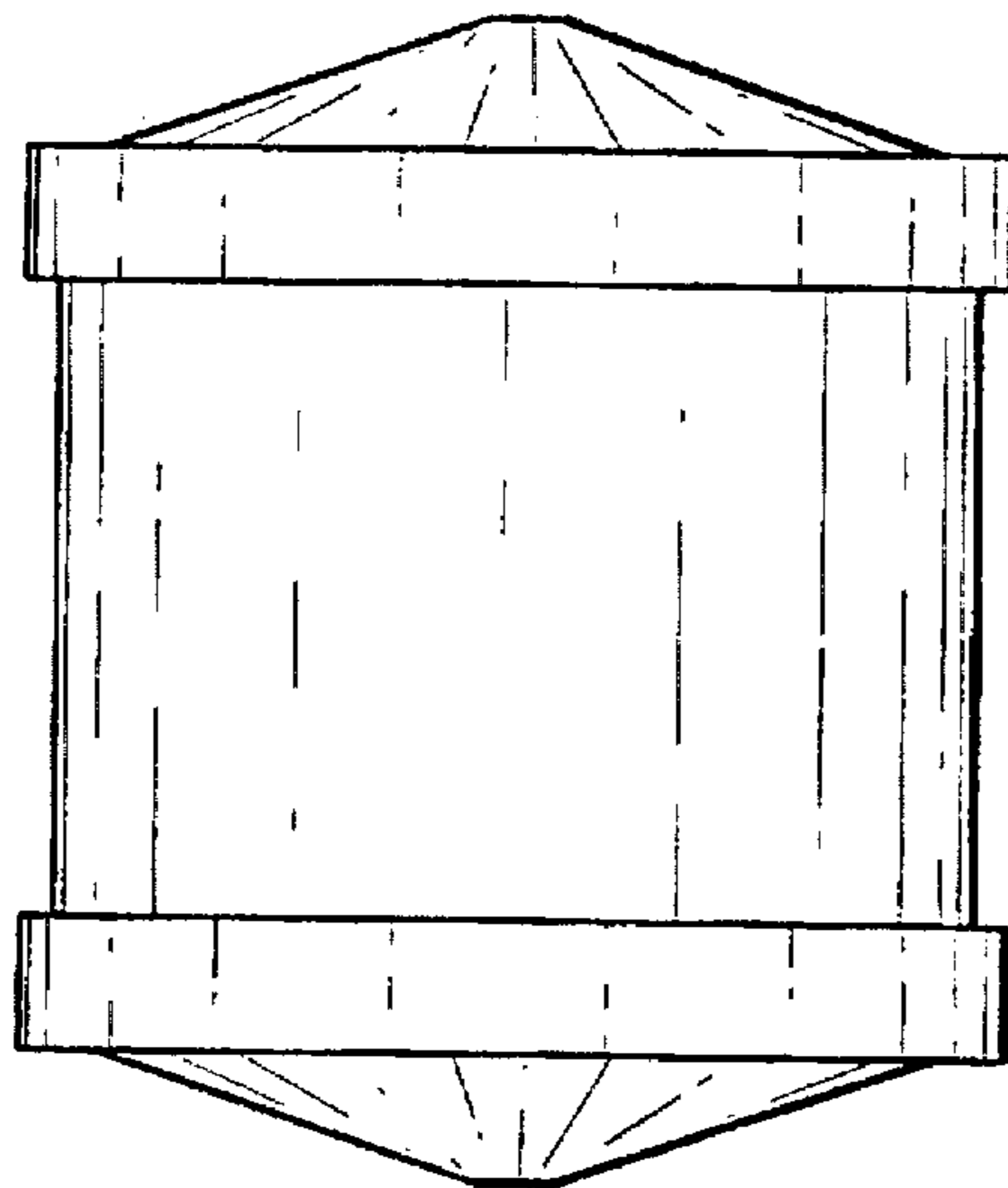


Fig. 9