

US00D384401S

United States Patent [19]

[11] Patent Number: **Des. 384,401**

Doughty et al.

[45] Date of Patent: ****Sep. 30, 1997**

[54] FAUCET

[75] Inventors: **Frederic C. Doughty**, S. Pasadena;
Darren M. Mark, Castaic, both of Calif.

[73] Assignee: **Emhart Inc.**, Newark, Del.

[*] Notice: The portion of the term of this patent subsequent to Jul. 22, 2011, has been disclaimed.

[**] Term: **14 Years**

[21] Appl. No.: **44,651**

[22] Filed: **Sep. 28, 1995**

[51] LOC (6) Cl. **23-01**

[52] U.S. Cl. **D23/241**

[58] Field of Search D23/238-243,
D23/250-257; 4/675-678; 137/801

[56] References Cited

U.S. PATENT DOCUMENTS

- D. 182,867 5/1958 Young .
- D. 207,044 2/1967 Hurwitz .
- D. 221,429 8/1971 Peterson .
- D. 235,546 6/1975 Landell .
- D. 258,519 3/1981 Thevenot D23/243
- D. 260,677 9/1981 Thevenot .

- D. 279,923 7/1985 Niemann et al. D23/255
- D. 288,837 3/1987 Yost D23/243
- D. 296,461 6/1988 Yost D23/241
- D. 340,506 10/1993 Sauter et al. .
- D. 359,342 6/1995 Doughty .

OTHER PUBLICATIONS

1991 Consumer Products Catalog, Price Pfister, Inc., pp. 5, 47.

Primary Examiner—Louis S. Zarfes
Assistant Examiner—Eric Watterson
Attorney, Agent, or Firm—J. Bruce Hoofnagle

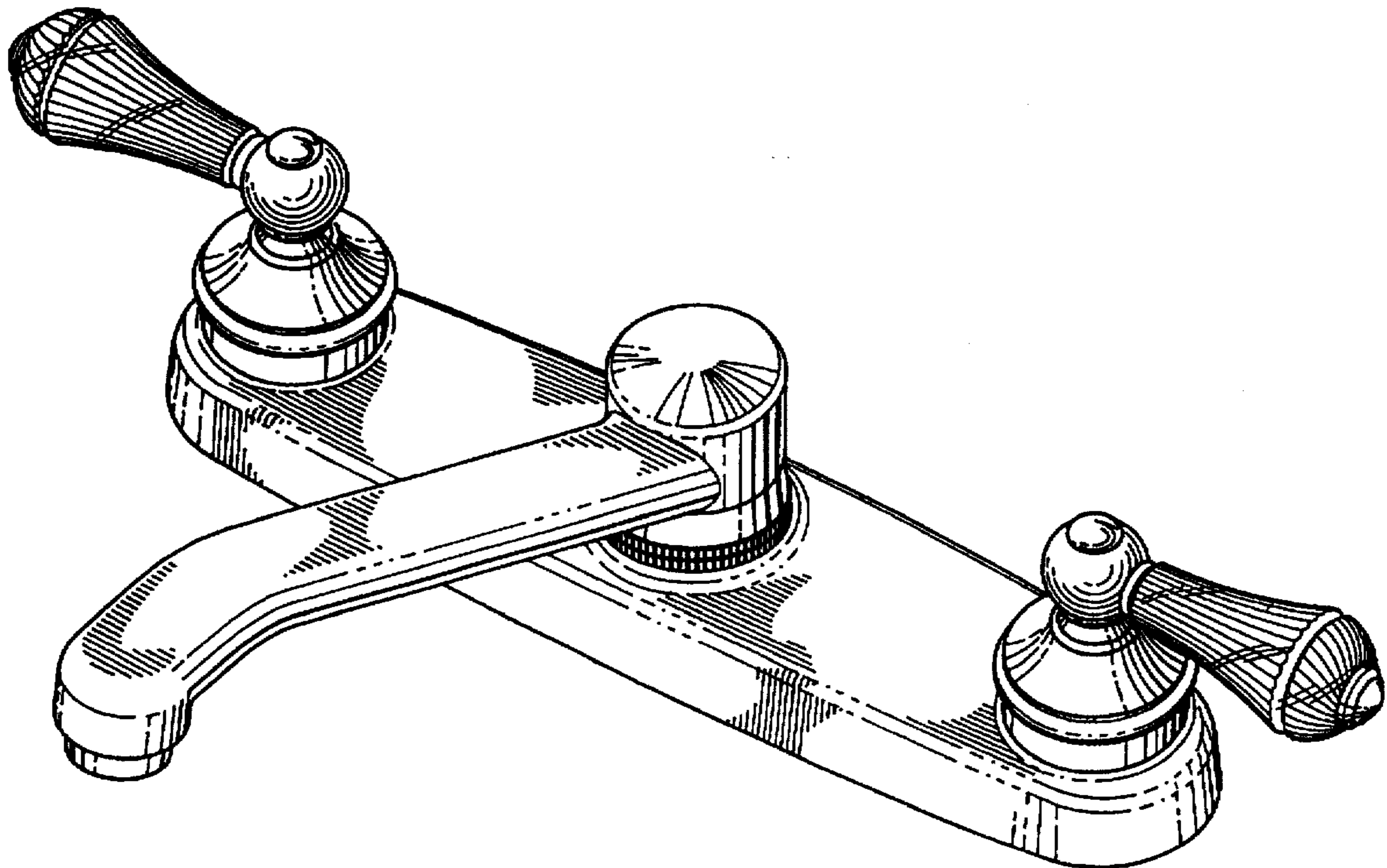
[57] CLAIM

The ornamental design for faucet, as shown and described.

DESCRIPTION

FIG. 1 is a perspective view of our new design of a faucet; FIG. 2 is a front elevational view of our new design of the faucet; FIG. 3 is a rear elevational view of our new design of the faucet; FIG. 4 is a right side elevational view of our new design of the faucet, a left side elevational view thereof being a mirror image of the right side elevational thereof; FIG. 5 is a top plan view of our new design of the faucet; and, FIG. 6 is a bottom plan view of our new design of the faucet.

1 Claim, 6 Drawing Sheets



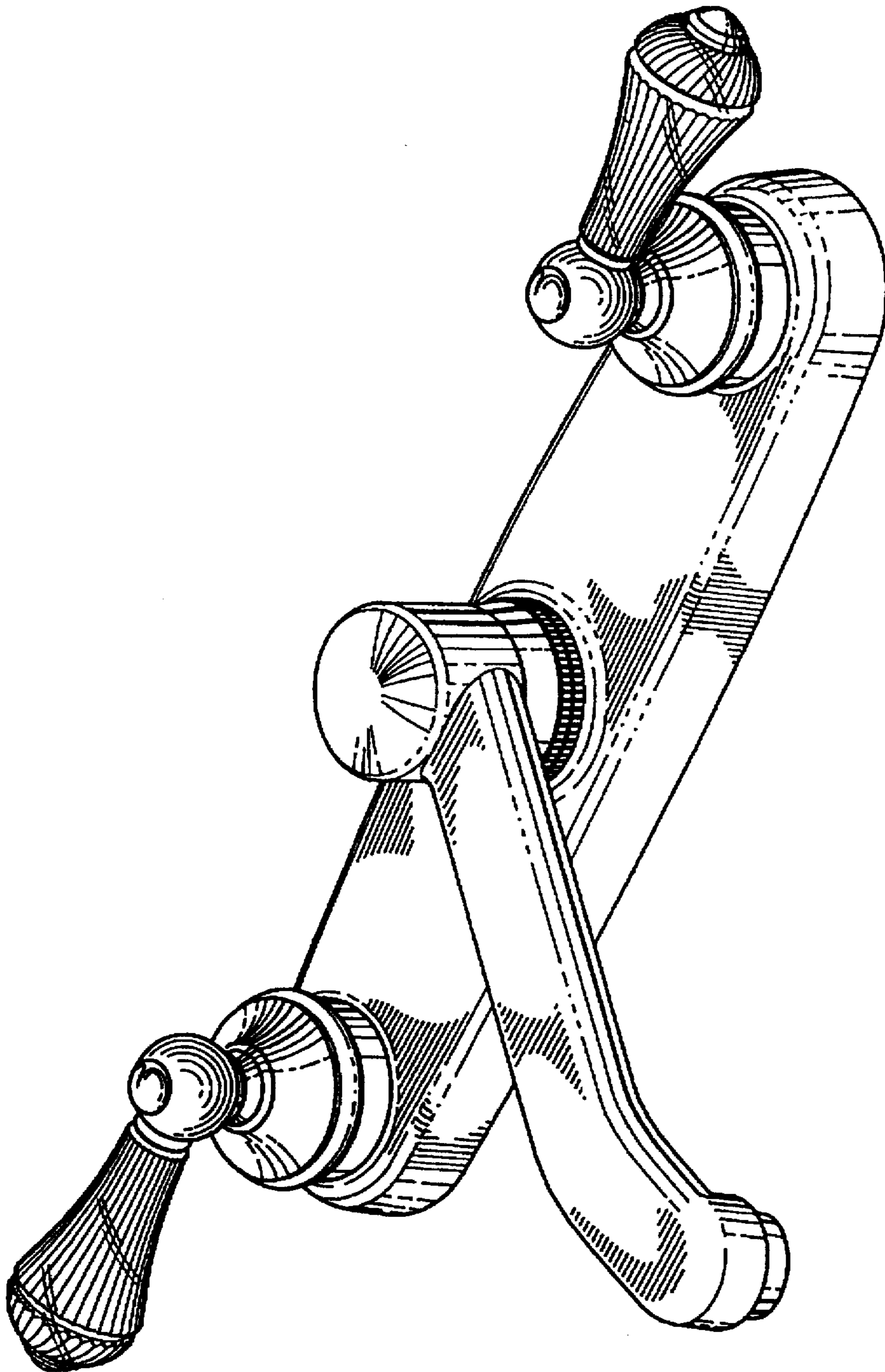


FIG. 1

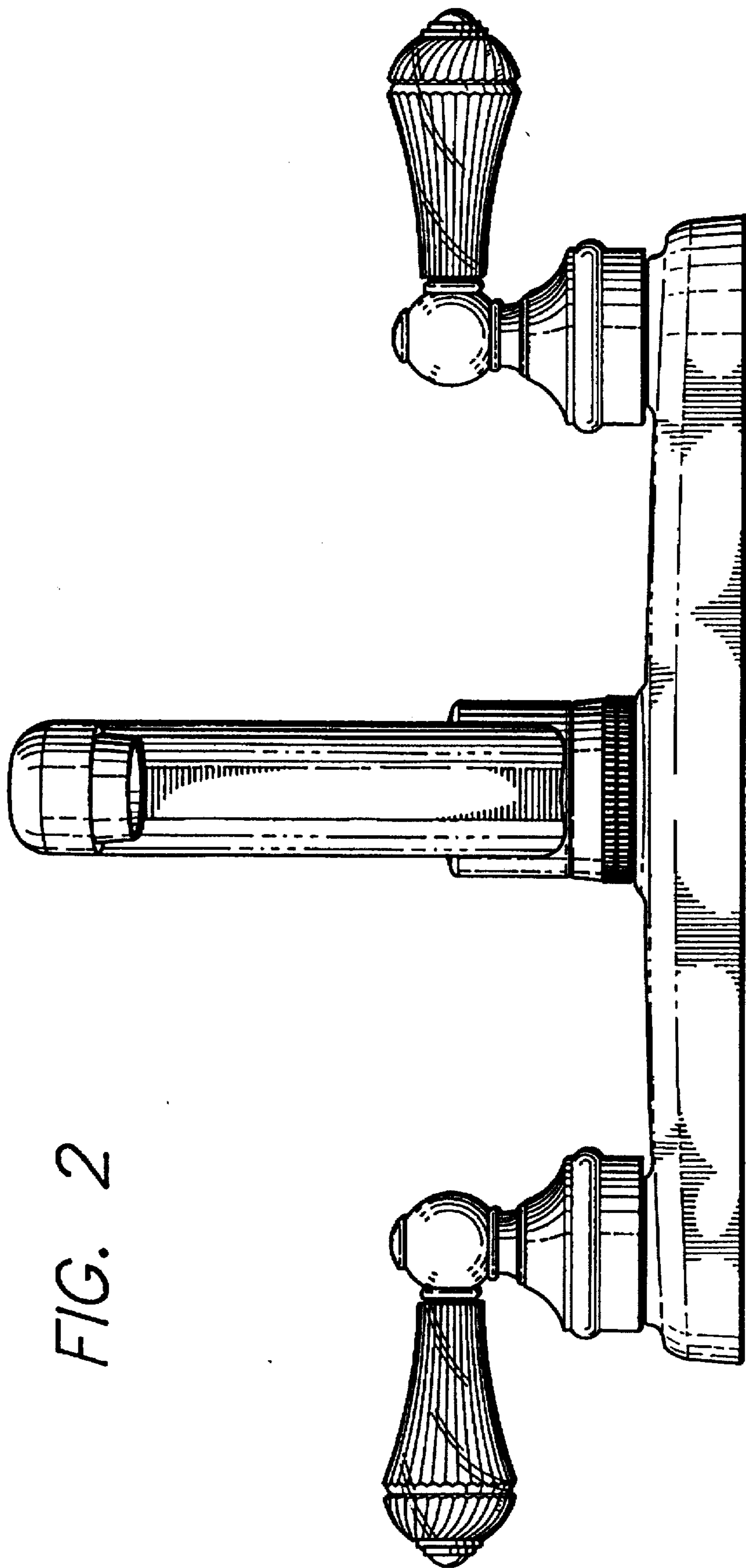


FIG. 2

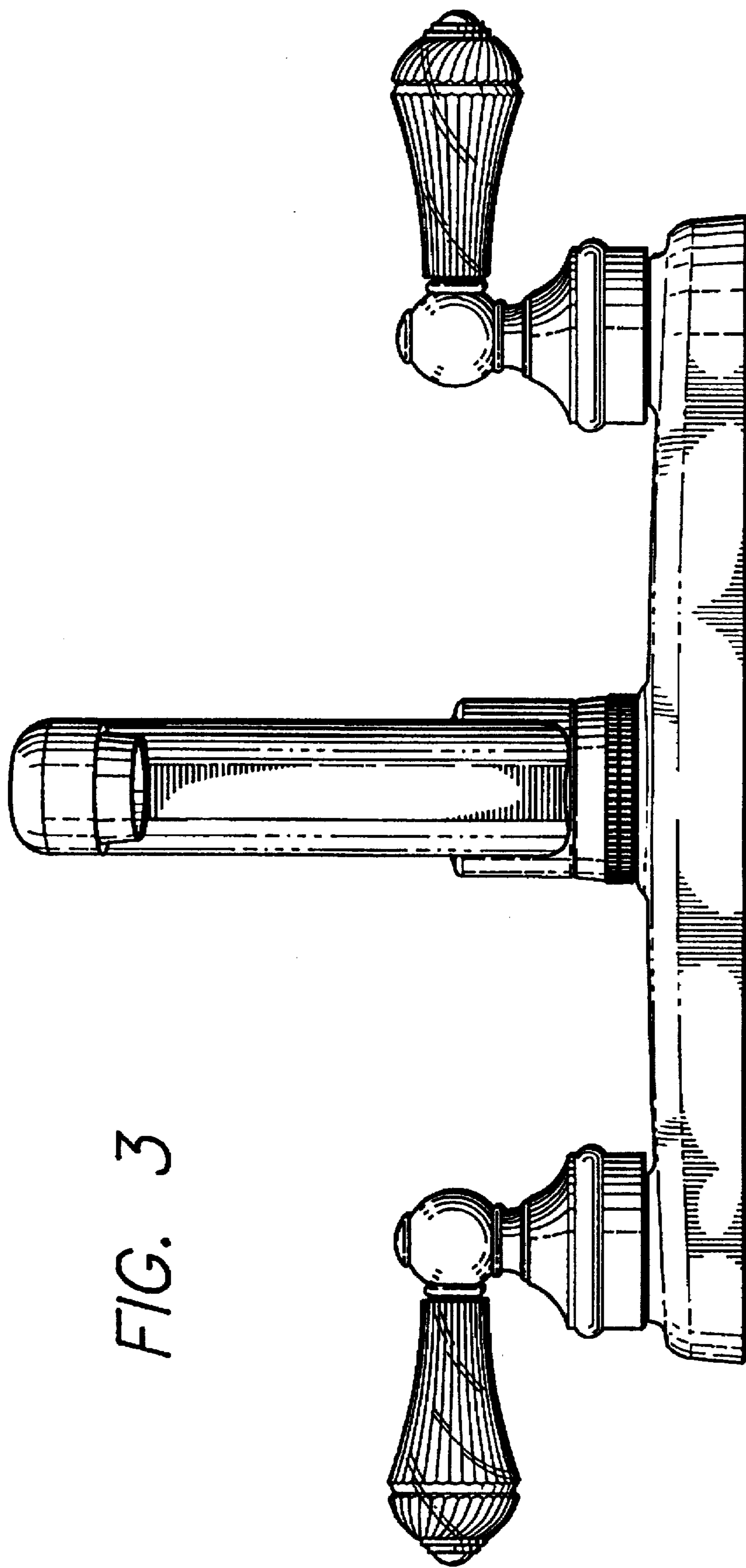


FIG. 3

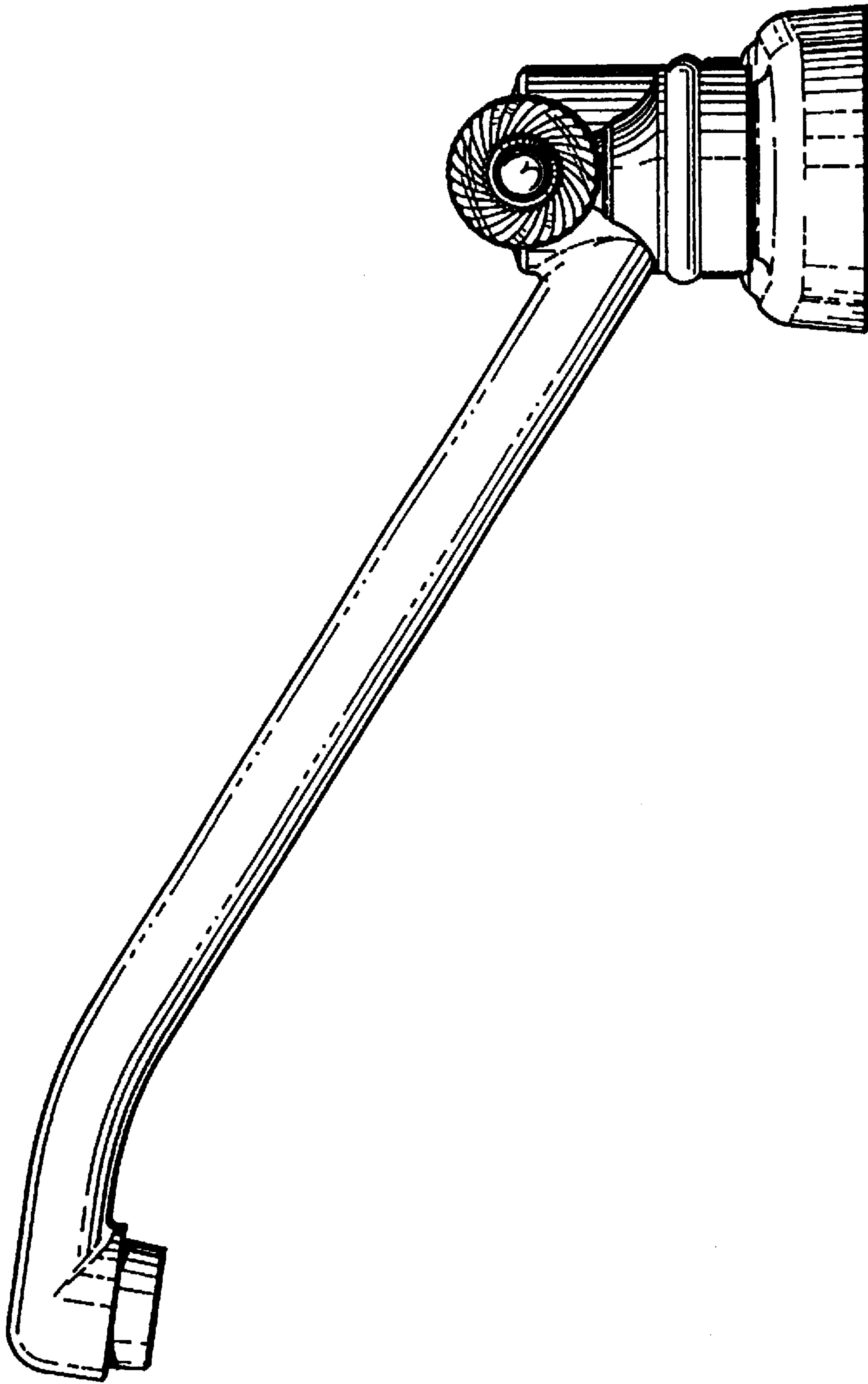


FIG. 4

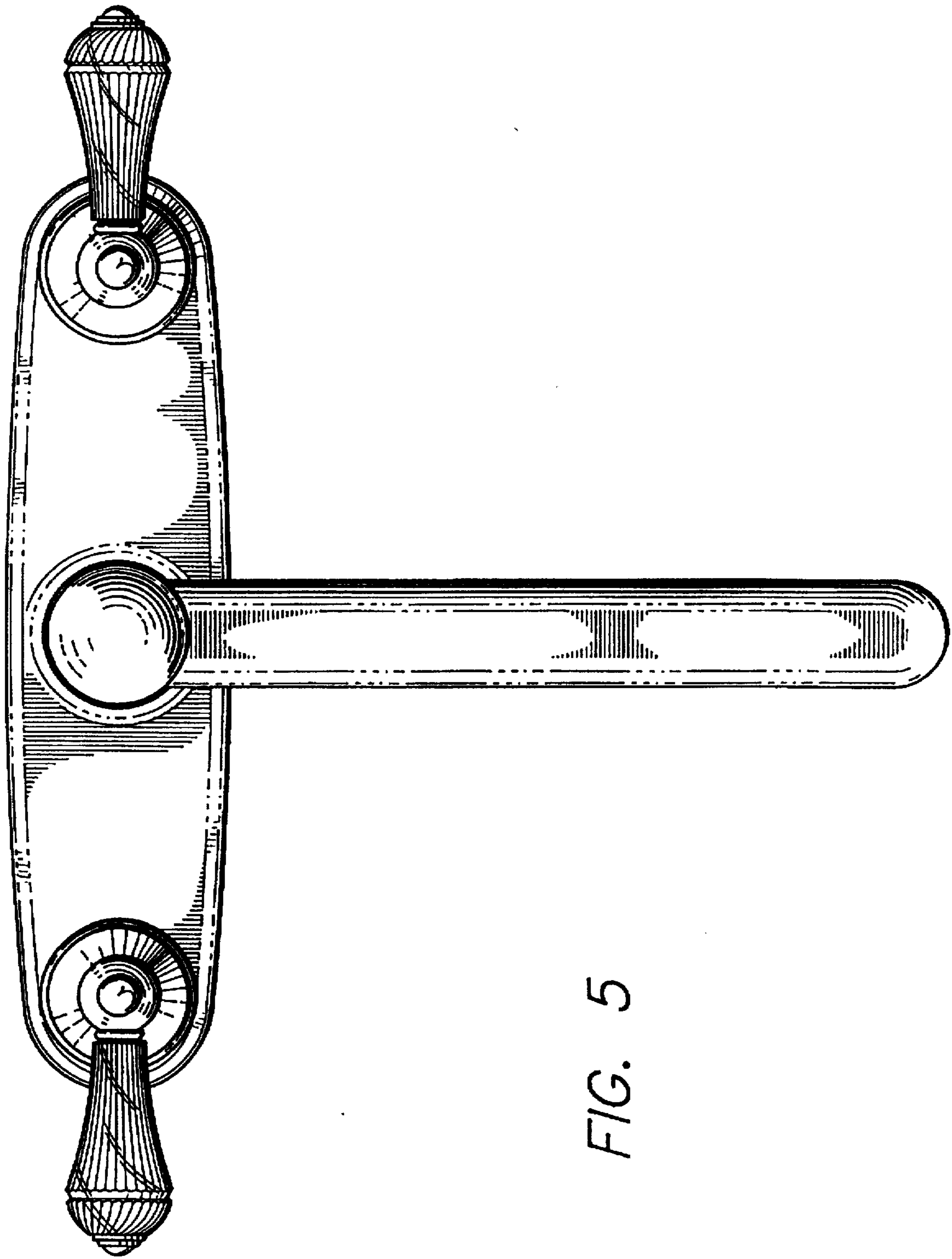


FIG. 5

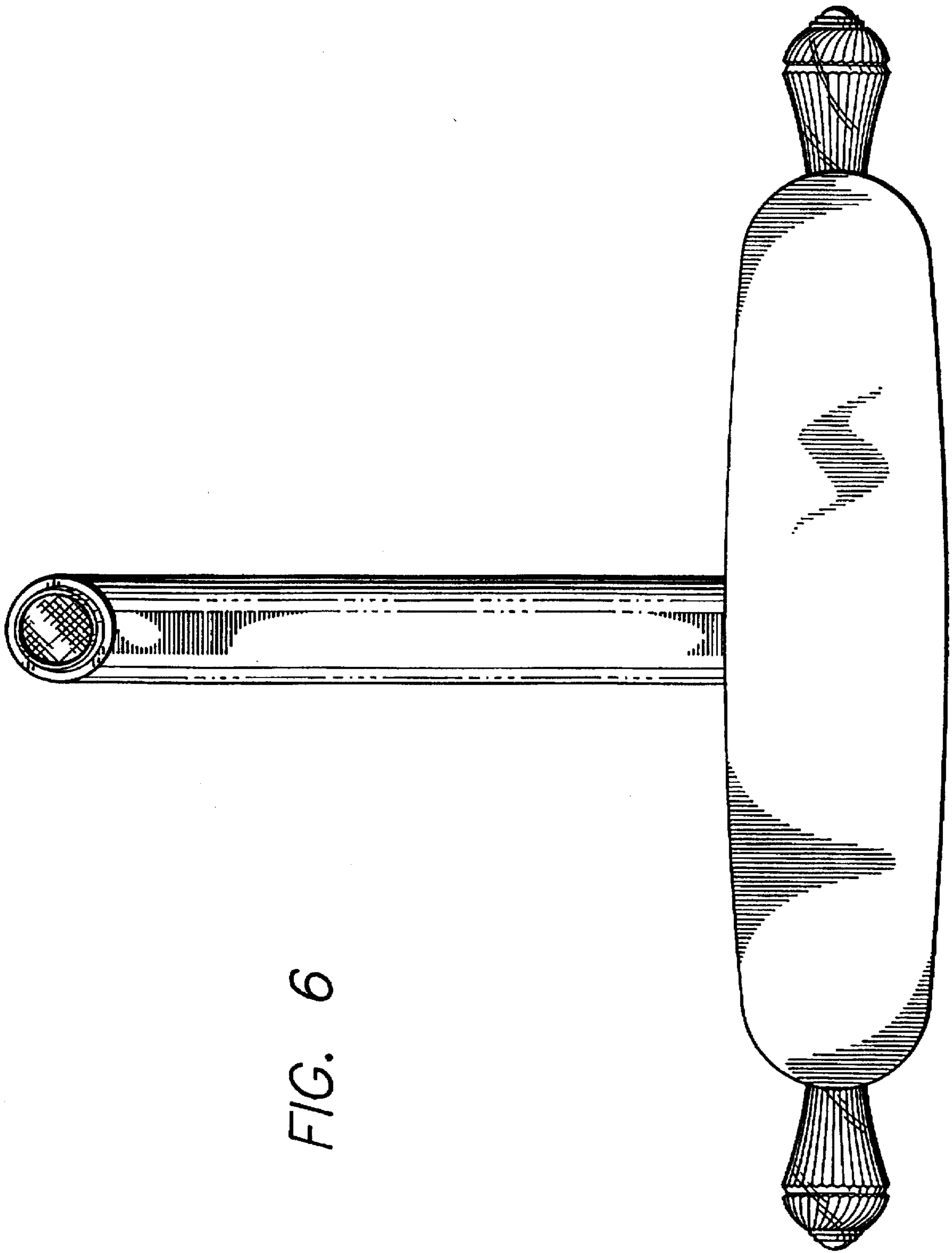


FIG. 6