

US00D384400S

United States Patent [19]

[11] Patent Number: Des. 384,400

Doughty et al.

[45] Date of Patent: ***Sep. 30, 1997

[54] FAUCET

[75] Inventors: **Frederic C. Doughty**, S. Pasadena;
Darren M. Mark, Castaic, both of Calif.

[73] Assignee: **Emhart Inc.**, Newark, Del.

[*] Notice: The portion of the term of this patent subsequent to Aug. 19, 2011, has been disclaimed.

[**] Term: **14 Years**

[21] Appl. No.: **44,387**

[22] Filed: **Sep. 22, 1995**

[51] LOC (6) Cl. **23-01**

[52] U.S. Cl. **D23/241**

[58] Field of Search D23/238-243,
D23/250-257; D8/300, 310, 307, 312; 4/675-678;
137/801

[56] **References Cited**

U.S. PATENT DOCUMENTS

- D. 187,846 5/1960 Brown D23/241
- D. 190,791 6/1961 Kohler D23/241
- D. 192,003 12/1961 Young .
- D. 200,042 1/1965 Mackay .
- D. 229,495 12/1973 Landell .

- D. 258,521 3/1981 Thevenot D23/241
- D. 276,645 12/1984 Piesco D23/241
- D. 285,106 8/1986 Yost .
- D. 288,835 3/1987 Yost .
- D. 288,836 3/1987 Yost .
- D. 289,318 4/1987 Yost .
- D. 290,388 6/1987 Yost .
- D. 299,518 1/1989 Yost .
- D. 346,852 5/1994 Hill .

Primary Examiner—Louis S. Zarfes
Assistant Examiner—Eric Watterson
Attorney, Agent, or Firm—J. Bruce Hoofnagle

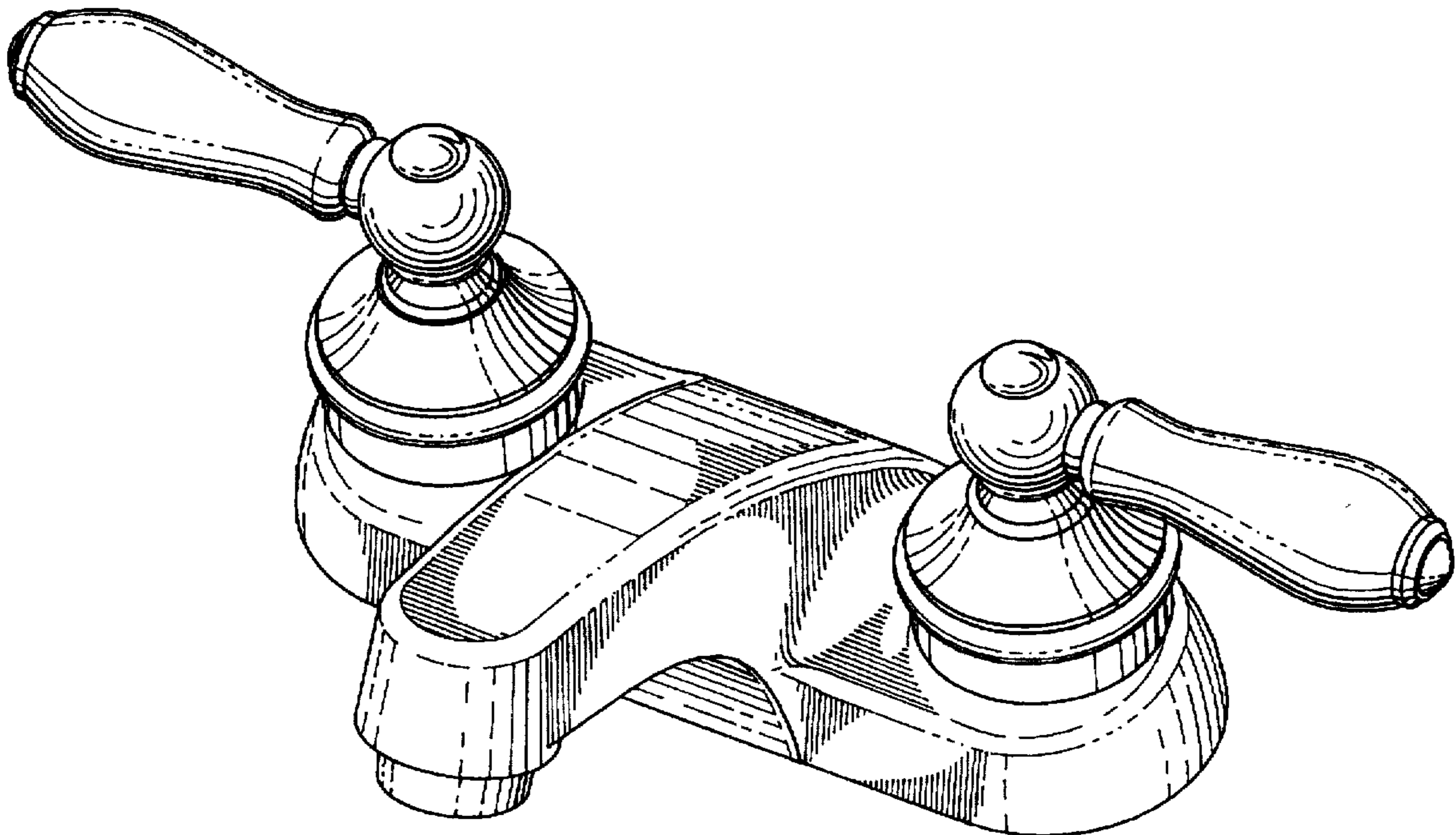
[57] **CLAIM**

The ornamental design for faucet, as shown and described.

DESCRIPTION

FIG. 1 is a perspective view of our new design of a faucet; FIG. 2 is a front elevational view of our new design of the faucet; FIG. 3 is a rear elevational view of our new design of the faucet; FIG. 4 is a right side elevational view of our new design of the faucet, a left side elevational view thereof being a mirror image of the right side elevational thereof; FIG. 5 is a top plan view of our new design of the faucet; and, FIG. 6 is a bottom plan view of our new design of the faucet.

1 Claim, 5 Drawing Sheets



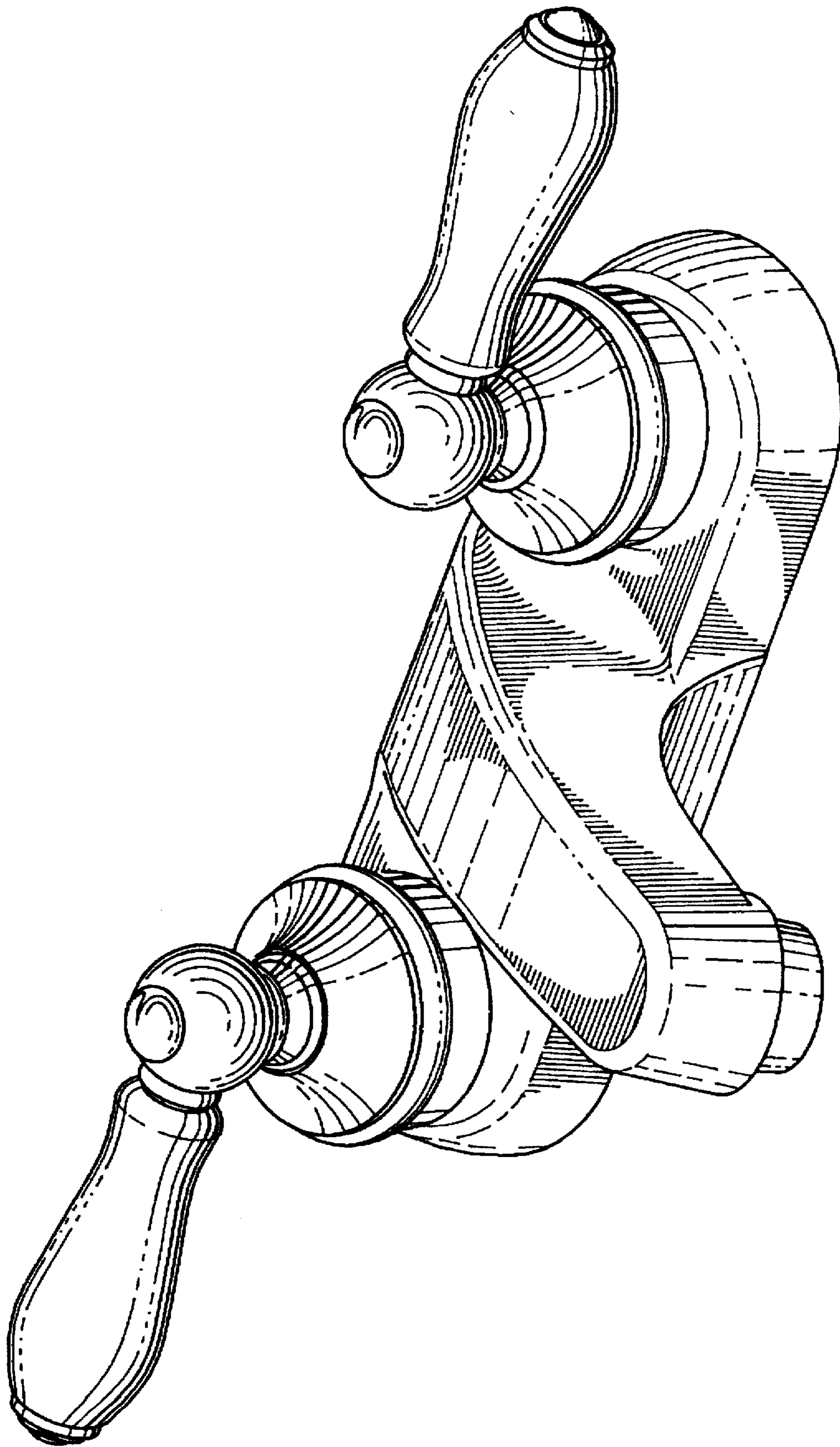


FIG. 1

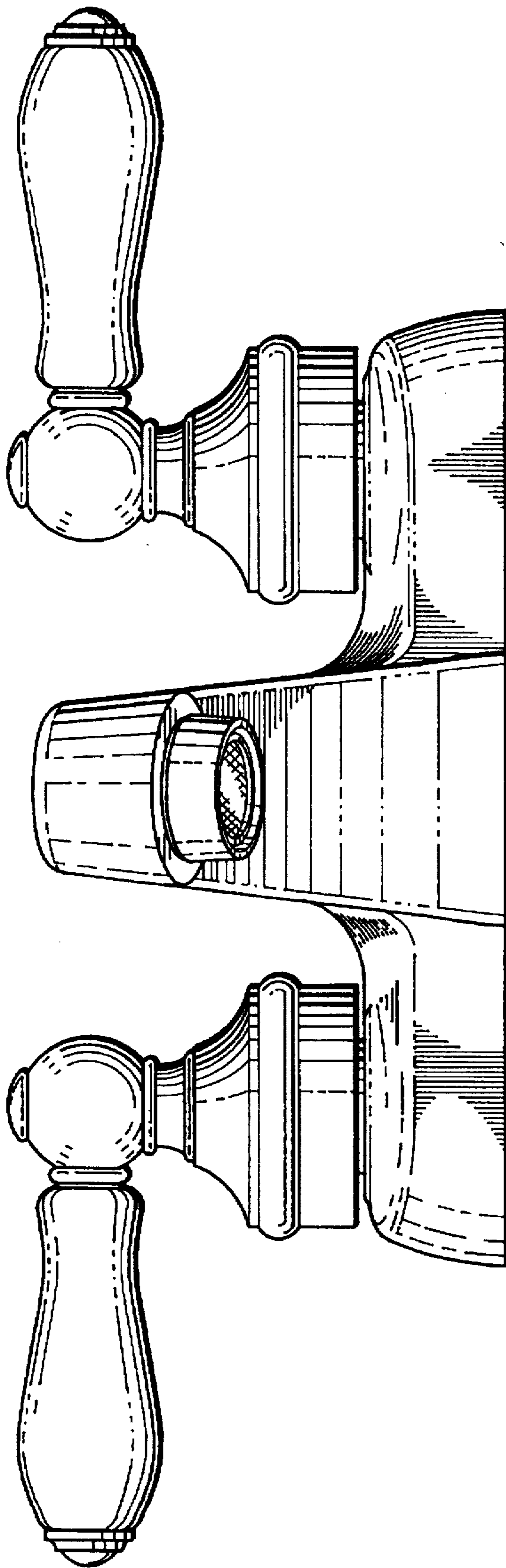


FIG. 2

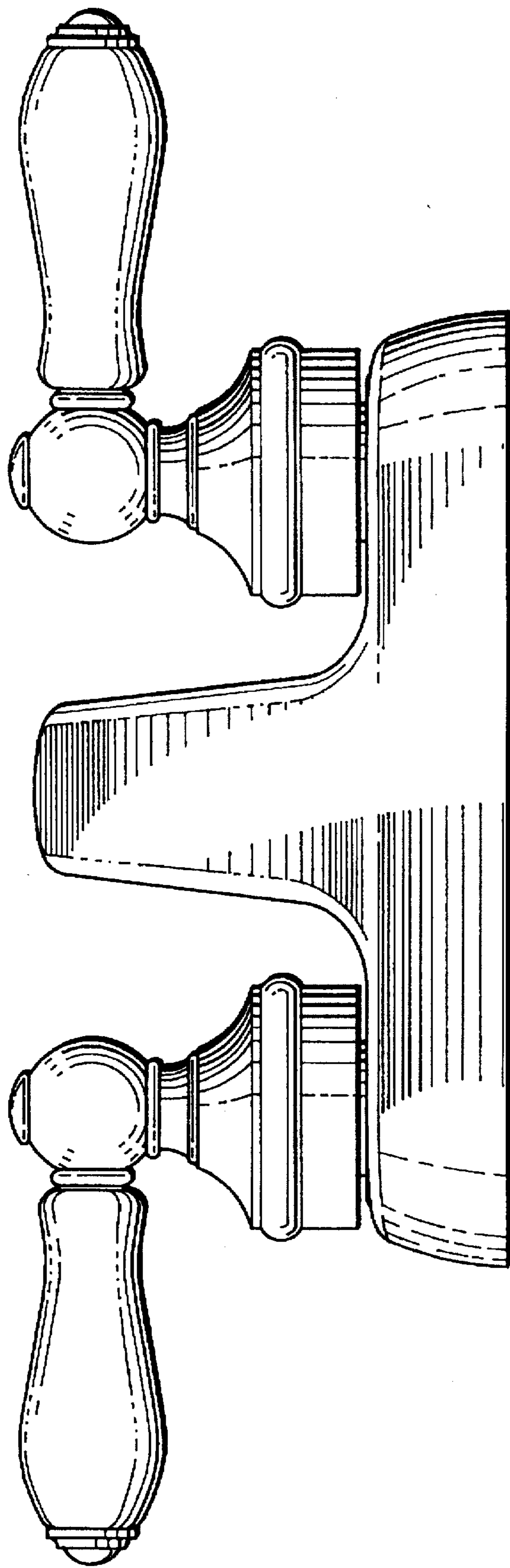


FIG. 3

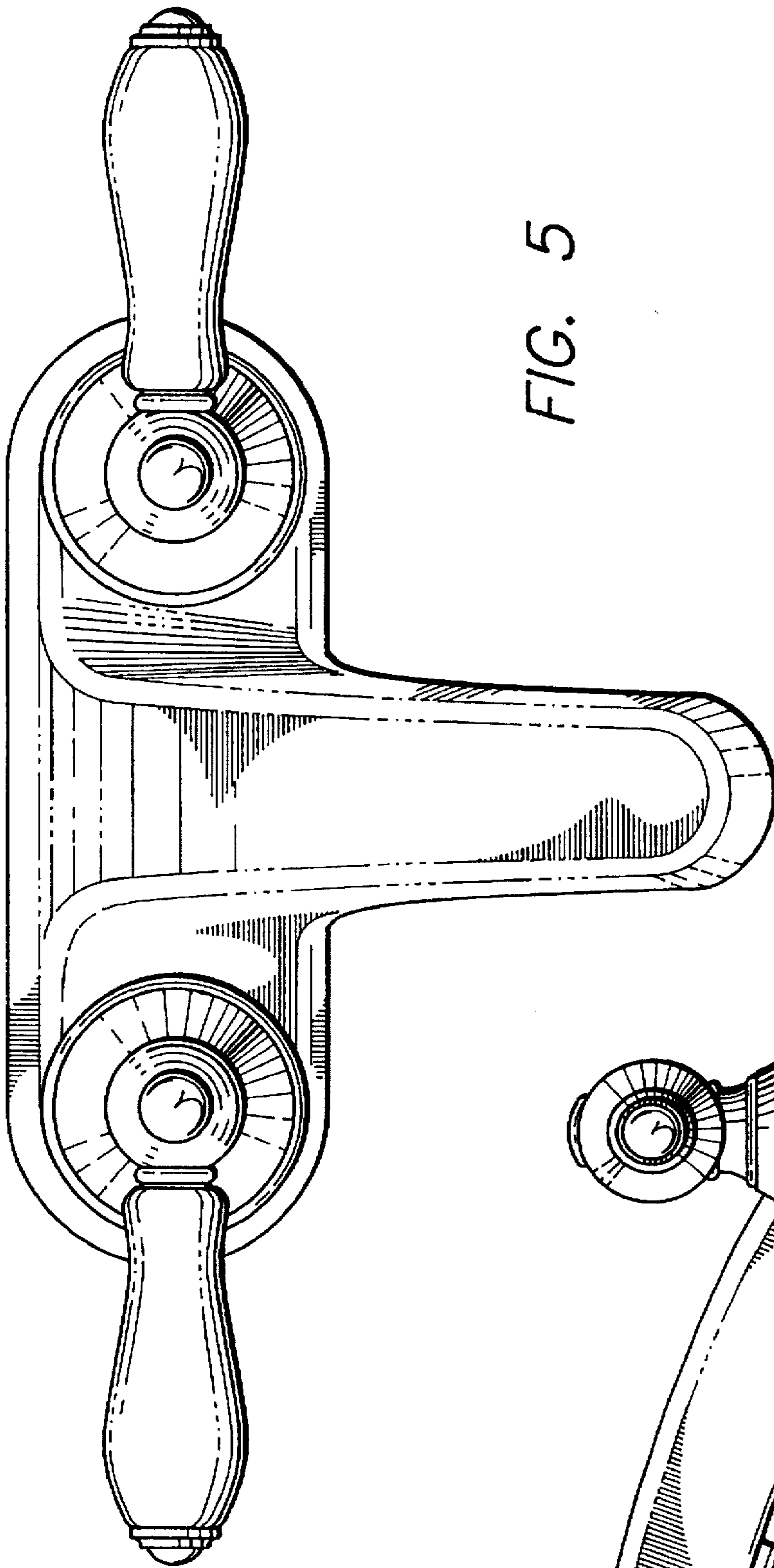


FIG. 5

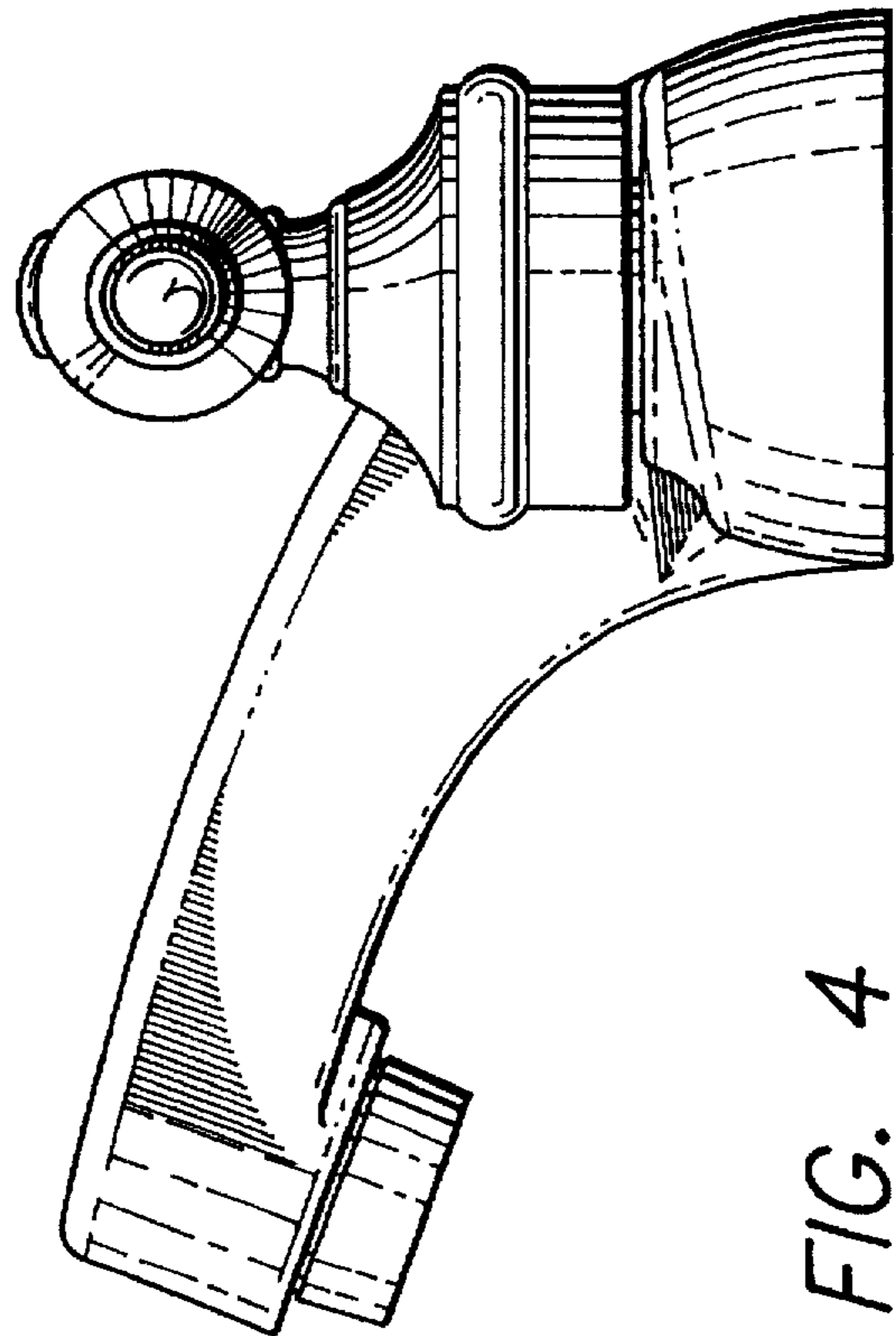


FIG. 4

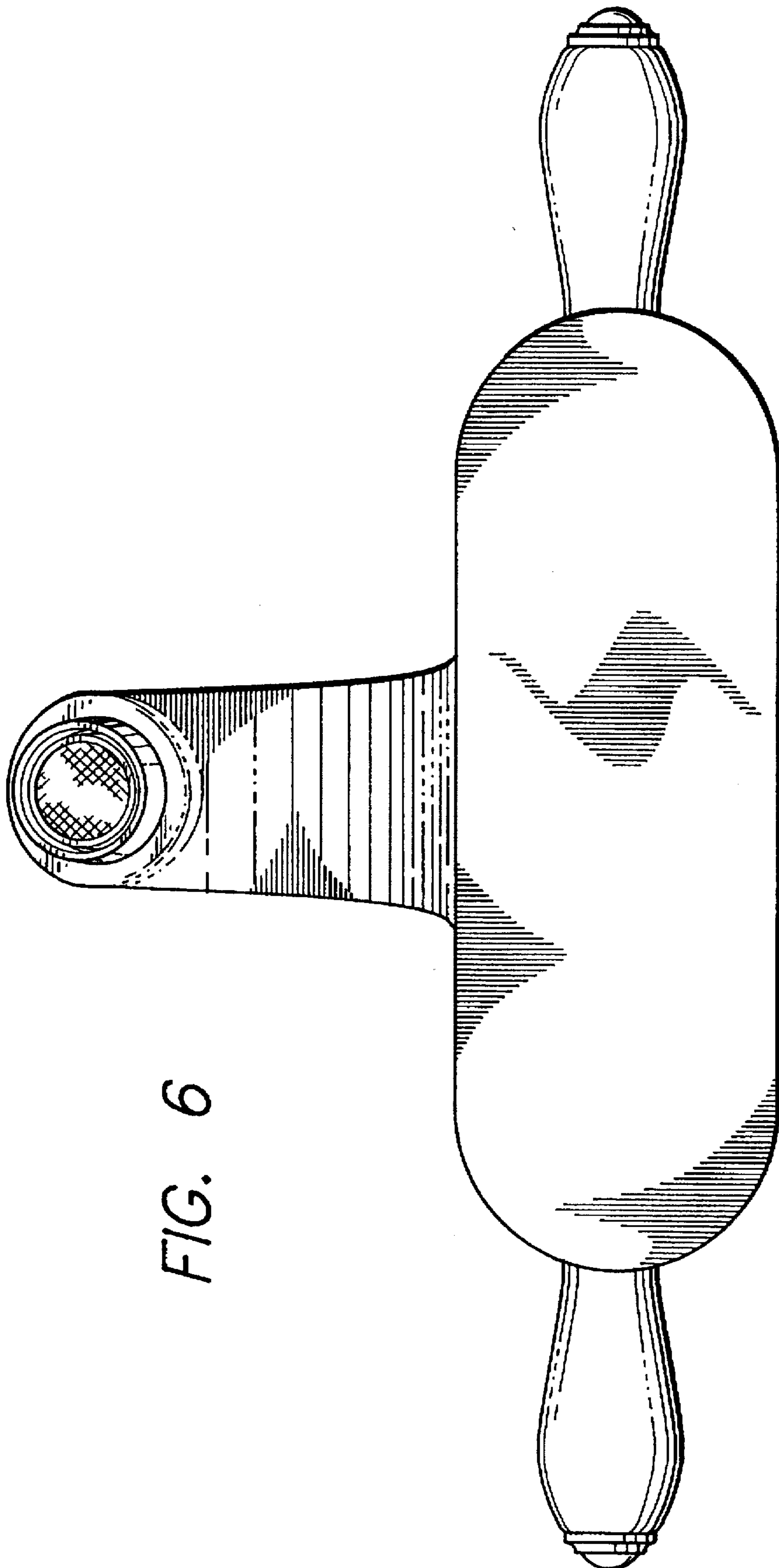


FIG. 6