

US00D384399S

United States Patent [19]

[11] Patent Number: **Des. 384,399**

Doke

[45] Date of Patent: ****Sep. 30, 1997**

[54] **SPRINKLER SYSTEM VACUUM BREAKER COVER**

4,922,433	5/1990	Mark	137/624.2
4,937,732	6/1990	Brundisini	137/624.2
5,449,117	9/1995	Muderlak et al.	239/70

[76] Inventor: **James J. Doke**, 1425 Weld County Rd. 32, Longmont, Colo. 80504-9619

Primary Examiner—A. Hugoword
Assistant Examiner—Robin V. Taylor
Attorney, Agent, or Firm—William E. Hein

[**] Term: **14 Years**

[21] Appl. No.: **43,403**

[57] **CLAIM**

[22] Filed: **Sep. 1, 1995**

The ornamental design for a sprinkler system vacuum breaker cover, as shown and described.

[51] LOC (6) Cl. **23-01**

DESCRIPTION

[52] U.S. Cl. **D23/235; D23/200; D23/227**

[58] Field of Search D23/200; D13/101-103, D13/119, 177, 184; 429/175, 167; 239/69, 70; 137/218, 624.2

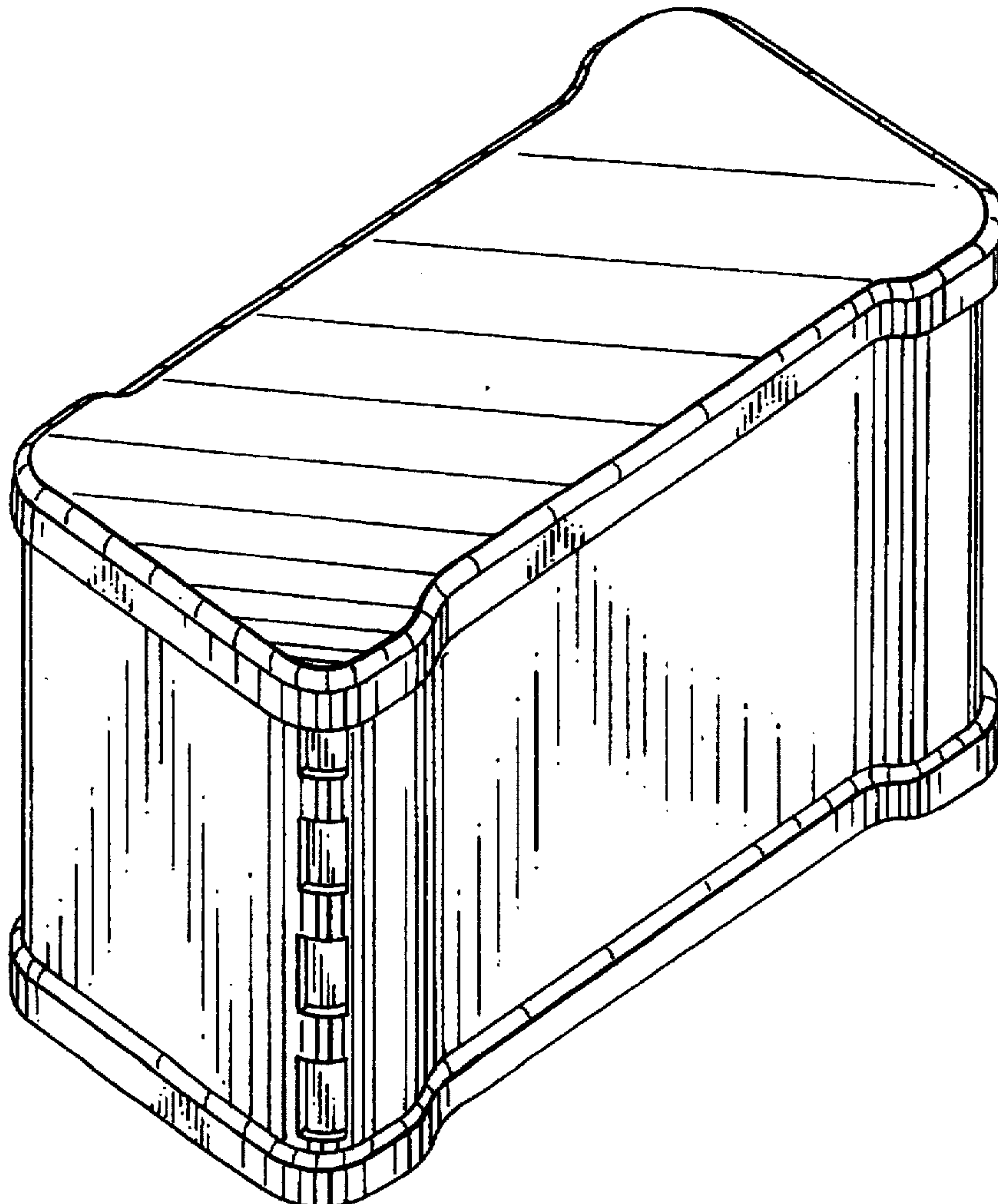
FIG. 1 is a left top front perspective view of a sprinkler system vacuum breaker cover, showing my new design; FIG. 2 is a front elevation view, the rear elevation being a mirror image thereof; FIG. 3 is a left side elevation view, the right side elevation being a mirror image thereof; FIG. 4 is a top plan view; and, FIG. 5 is a bottom plan view.

[56] **References Cited**

U.S. PATENT DOCUMENTS

D. 76,275	9/1928	Wilms	D13/177
D. 269,697	7/1983	Graham et al.	D13/184
D. 323,548	1/1992	Rawald	D23/235
4,114,647	9/1978	Sturman et al.	137/624.2

1 Claim, 2 Drawing Sheets



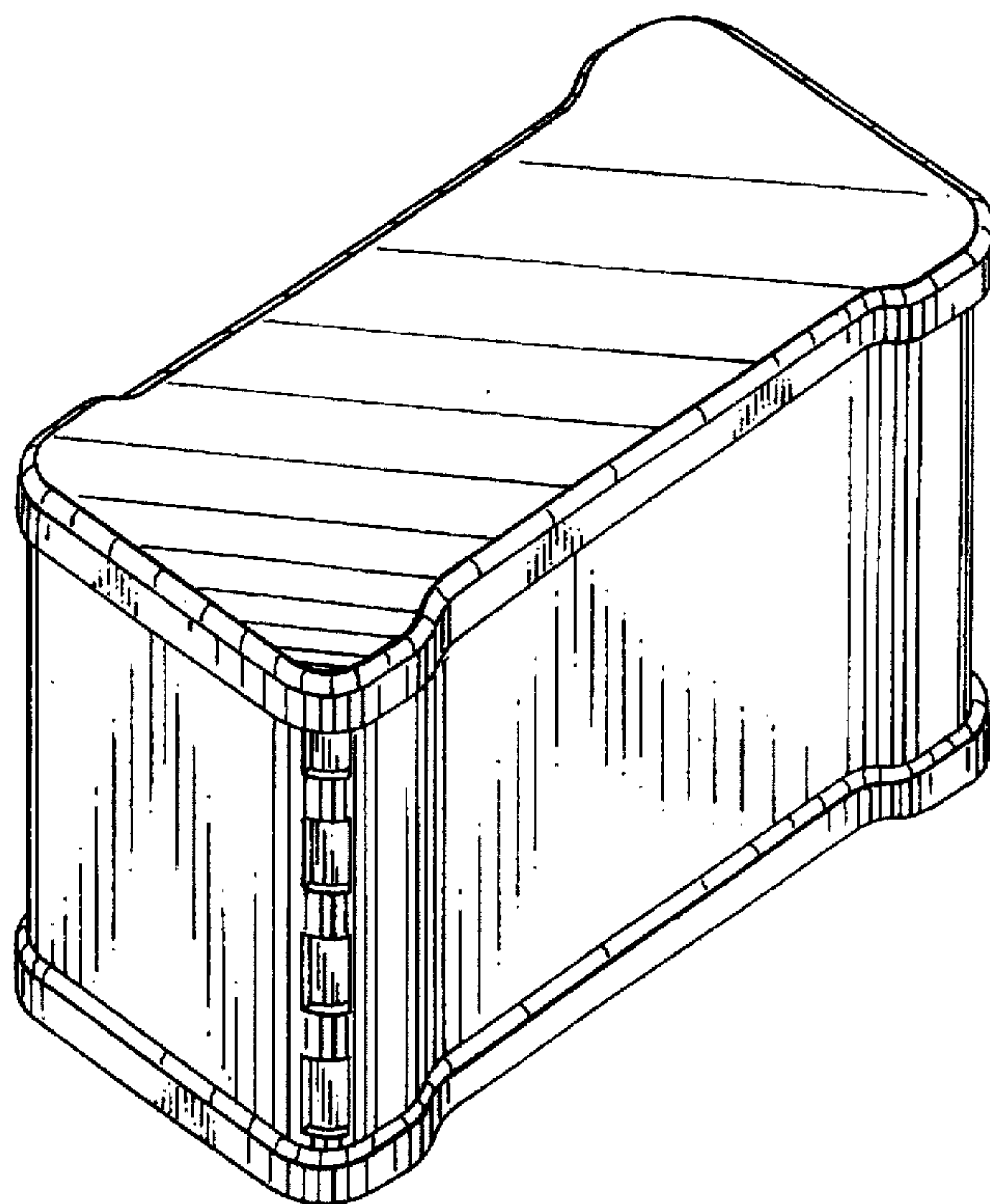


FIG. 1

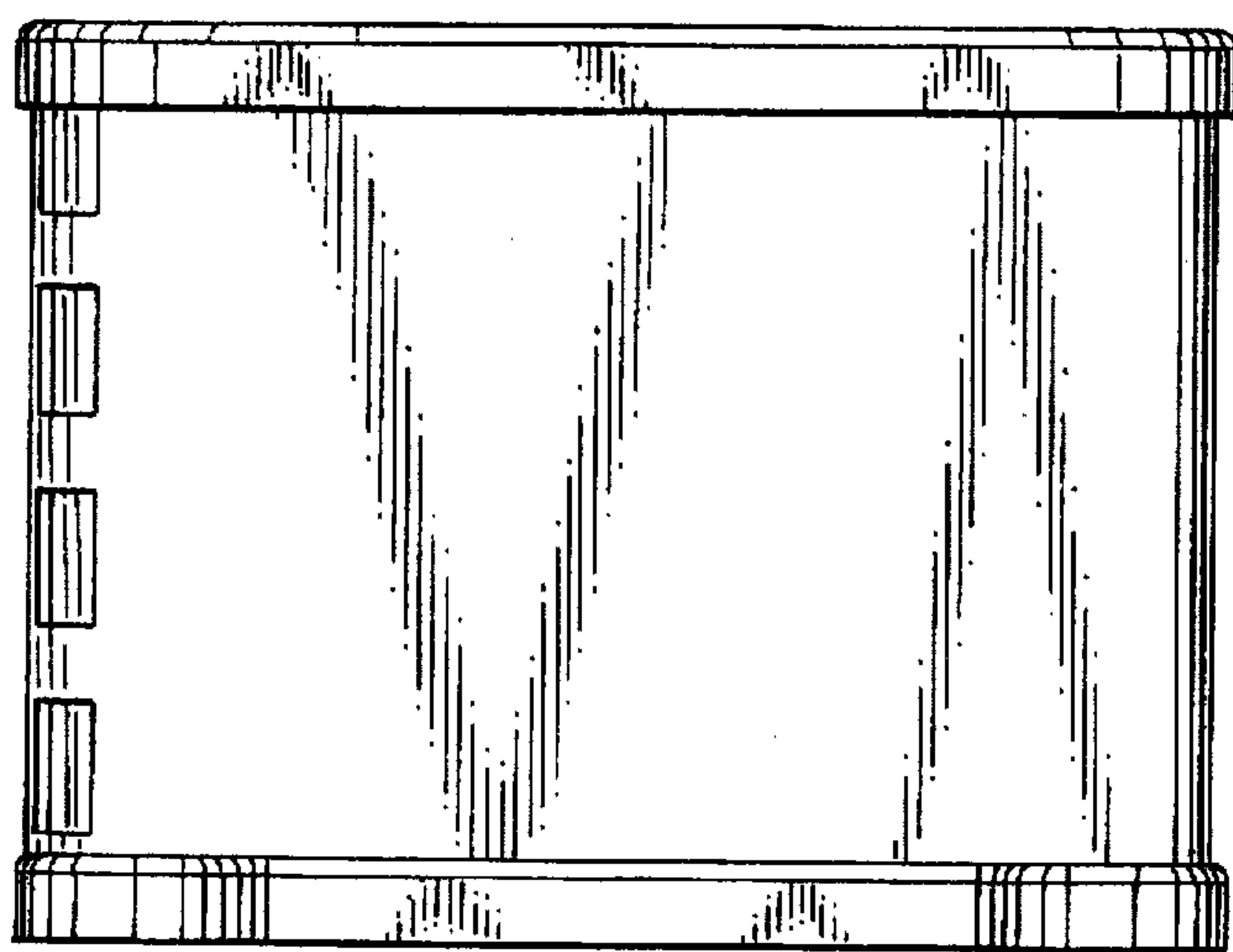


FIG. 2

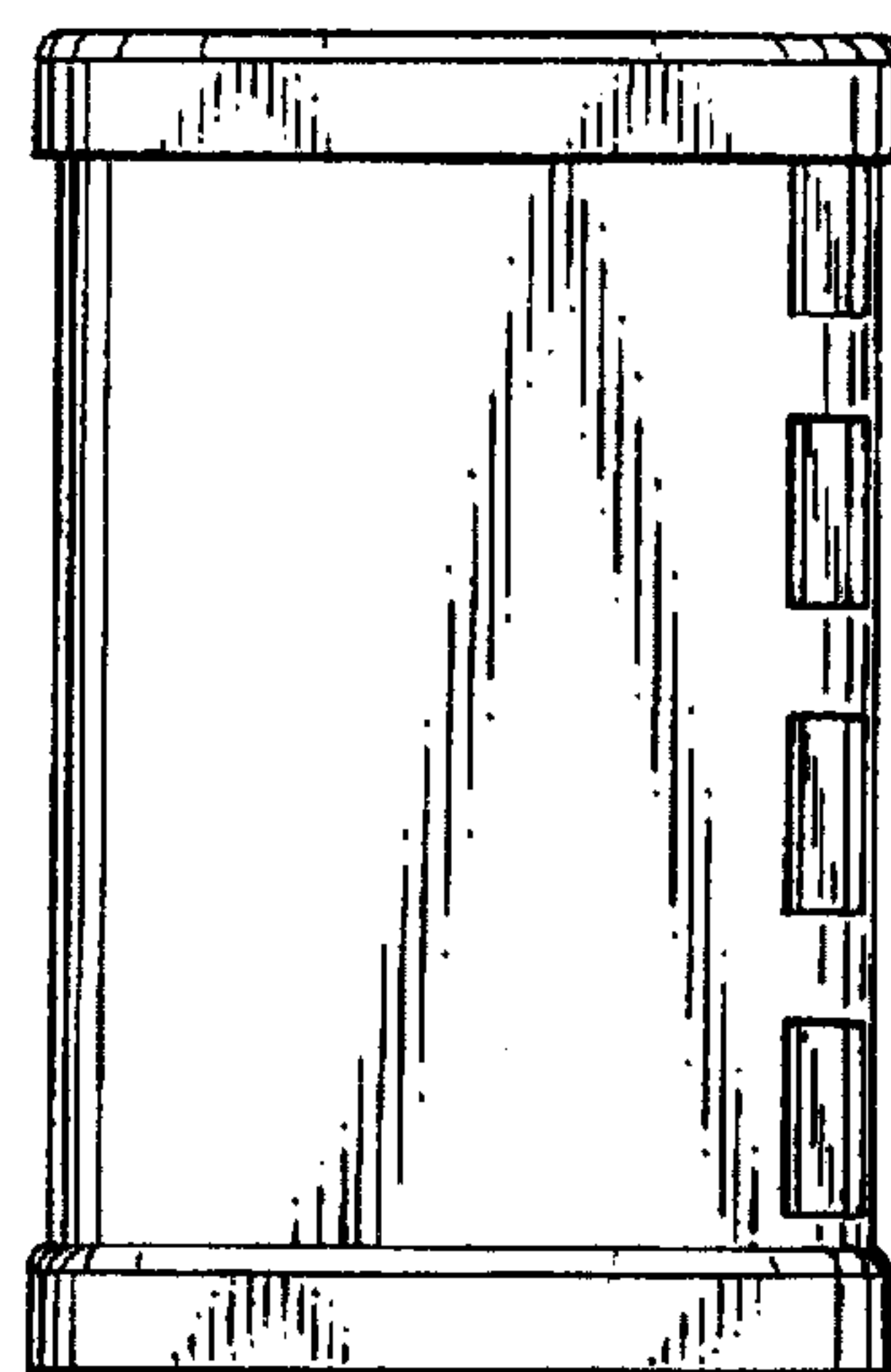


FIG. 3

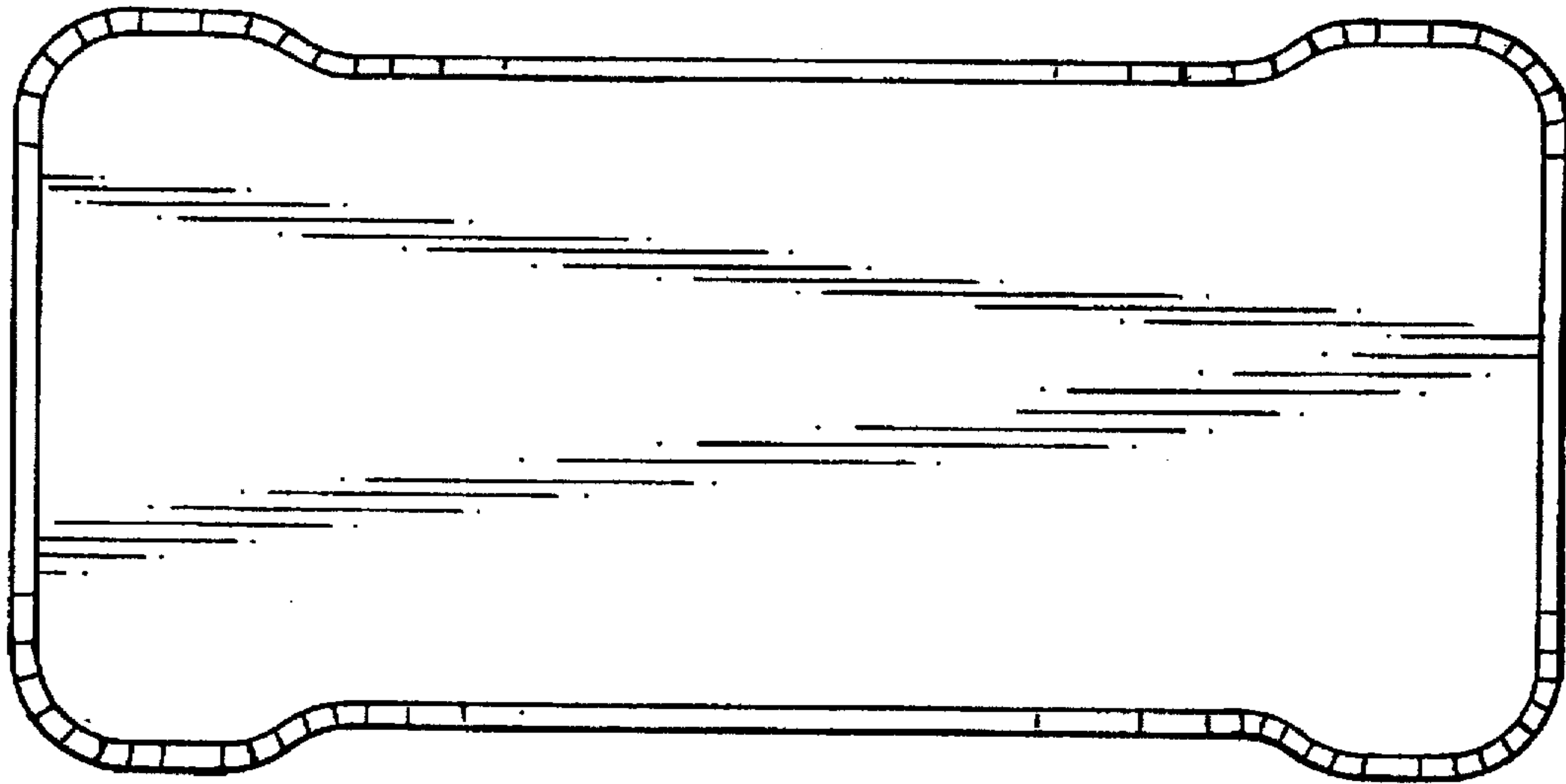


FIG. 4

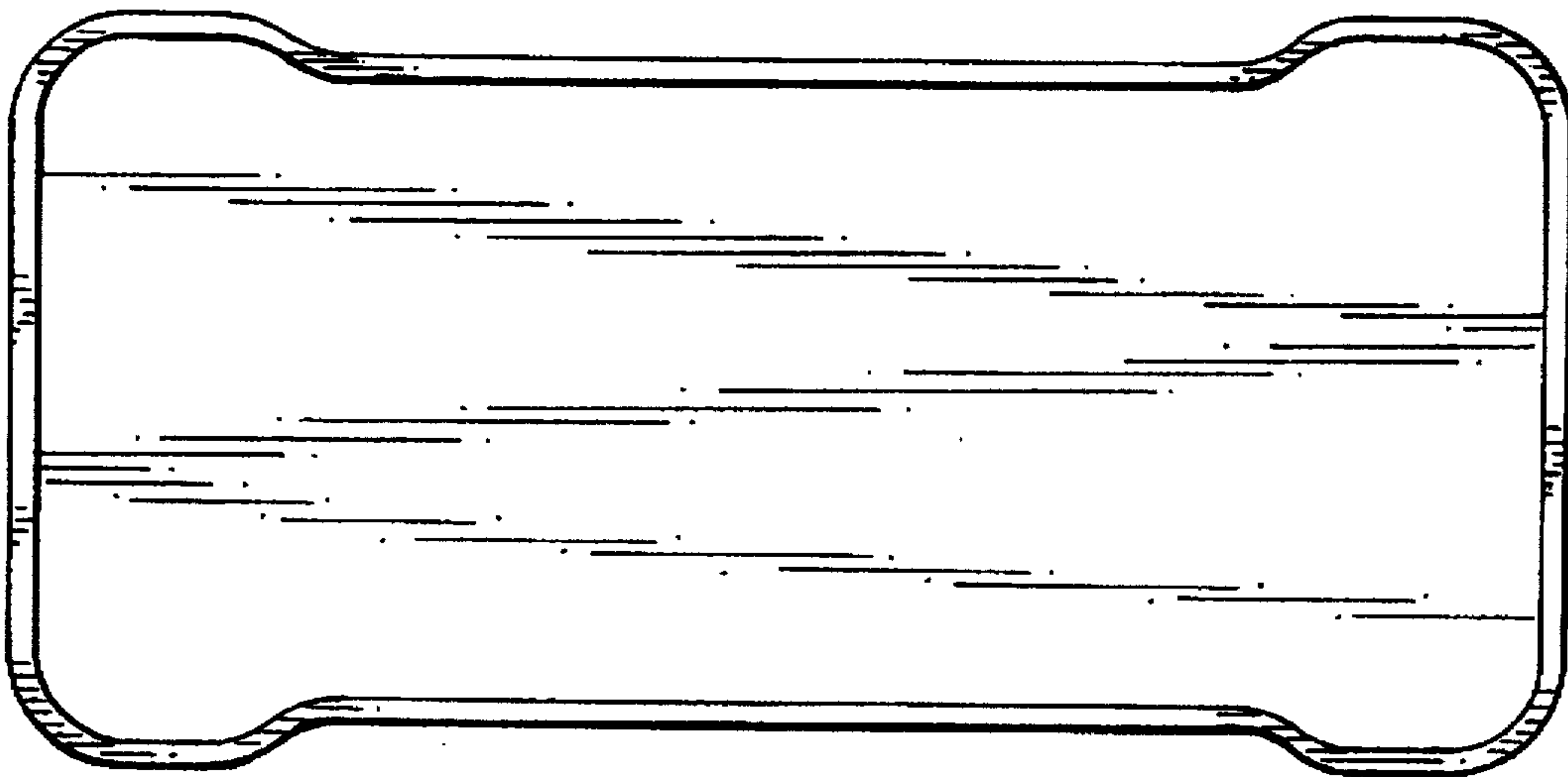


FIG. 5