

US00D384398S

United States Patent [19]

Wang

[11] Patent Number: **Des. 384,398**

[45] Date of Patent: ****Sep. 30, 1997**

[54] **WATER SPRAY GUN**

[75] Inventor: **King-Yuan Wang**, Changhua Hsien, Taiwan

[73] Assignee: **Yuan Mei Corporation**, Changhua Hsien, Taiwan

[**] Term: **14 Years**

[21] Appl. No.: **56,189**

[22] Filed: **Jun. 25, 1996**

[51] LOC (6) Cl. **23-01**

[52] U.S. Cl. **D23/223; D23/226**

[58] Field of Search **D23/213, 223-226, D23/229, 230; 239/525, 526, 548, 556, 559, 550**

[56] **References Cited**

U.S. PATENT DOCUMENTS

D. 355,953 2/1995 Wang D23/223

D. 357,973 5/1995 McCain D23/226
D. 359,101 6/1995 Kuo D23/223
D. 373,814 9/1996 Wang D23/226

Primary Examiner—Brian N. Vinson
Assistant Examiner—Robin V. Taylor
Attorney, Agent, or Firm—Bacon & Thomas

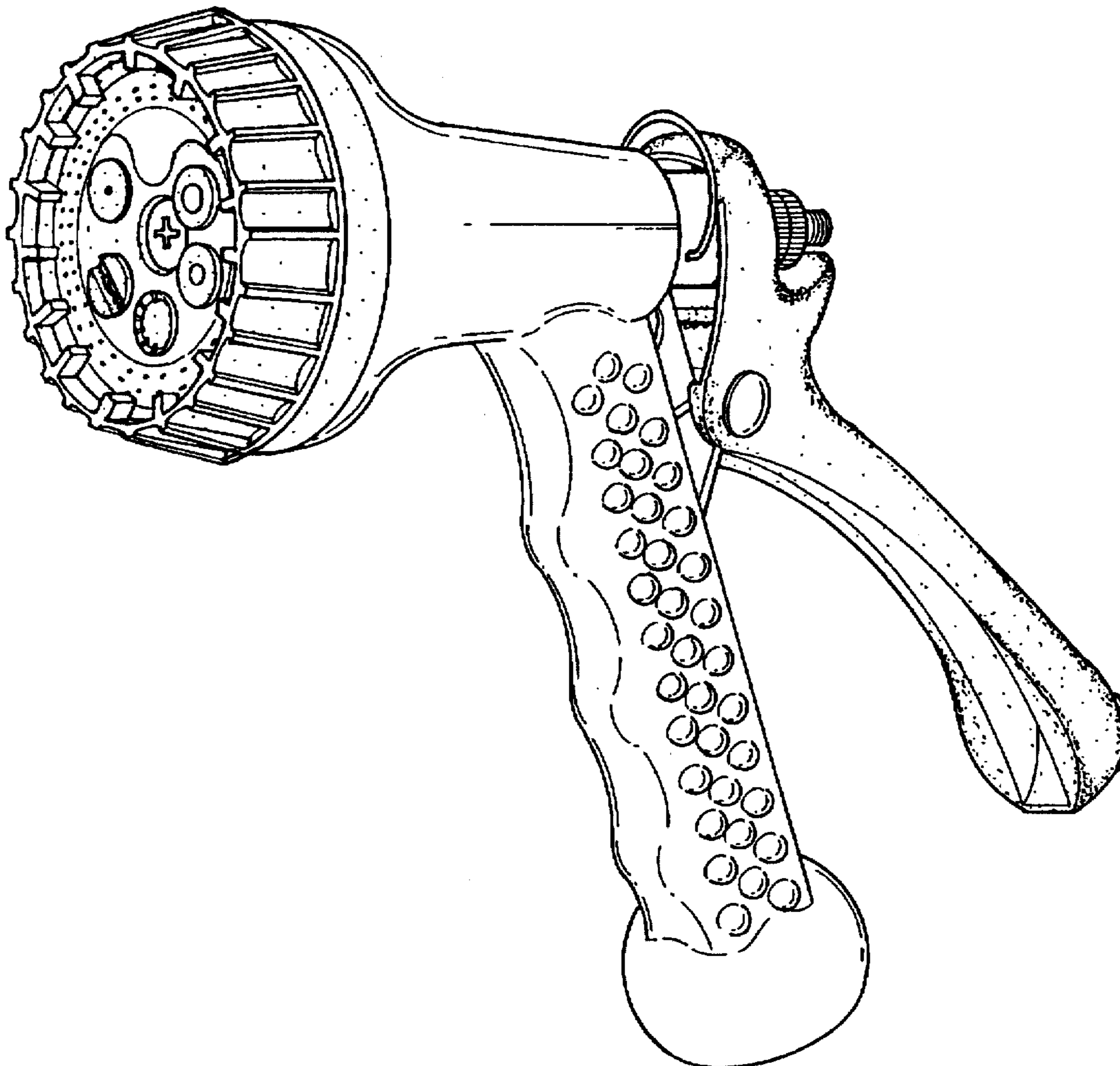
[57] **CLAIM**

The ornamental design for water spray gun, as shown and described.

DESCRIPTION

FIG. 1 is a perspective view of water spray gun showing my new design;
FIG. 2 is a front view thereof;
FIG. 3 is a rear view thereof;
FIG. 4 is a right side view thereof, the left side view is identical;
FIG. 5 is a top view thereof; and,
FIG. 6 is a bottom view thereof.

1 Claim, 4 Drawing Sheets



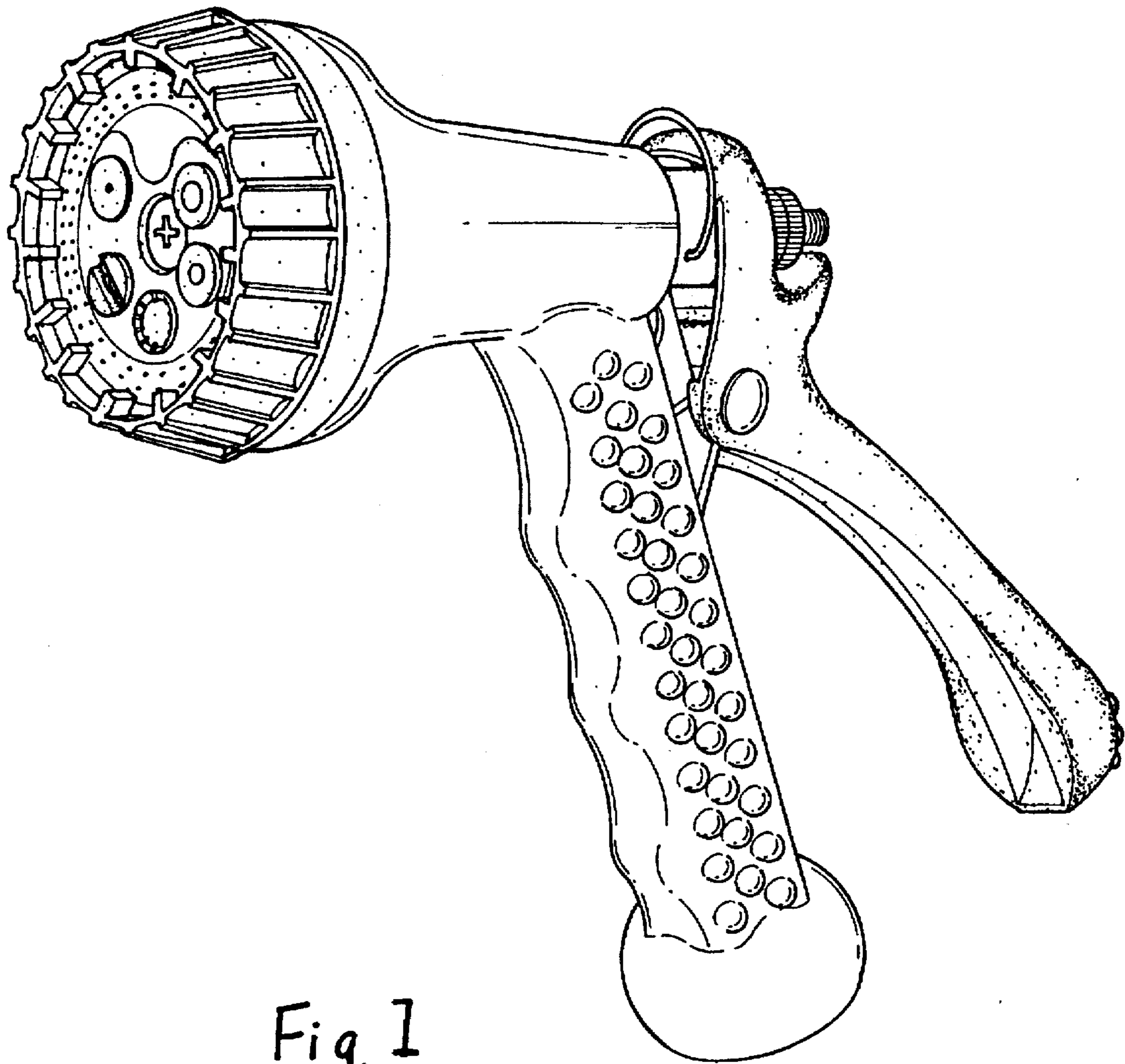


Fig. 1

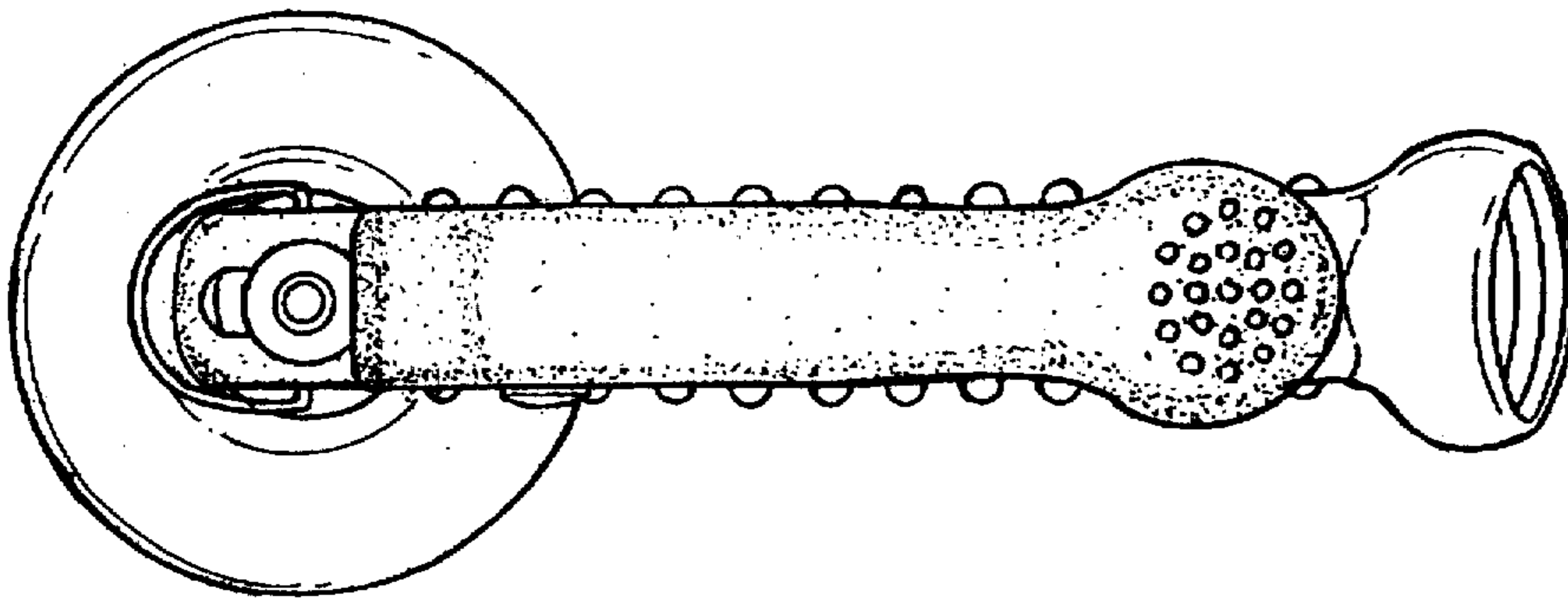


Fig. 3

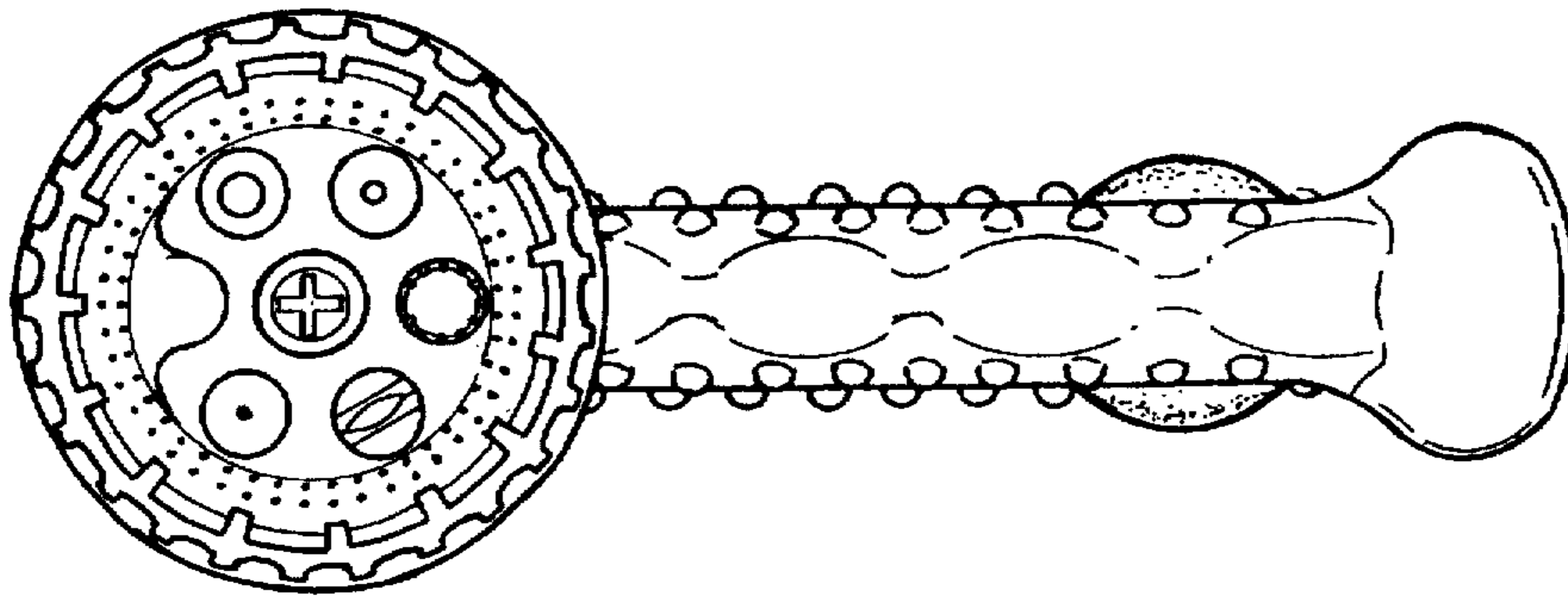


Fig. 2

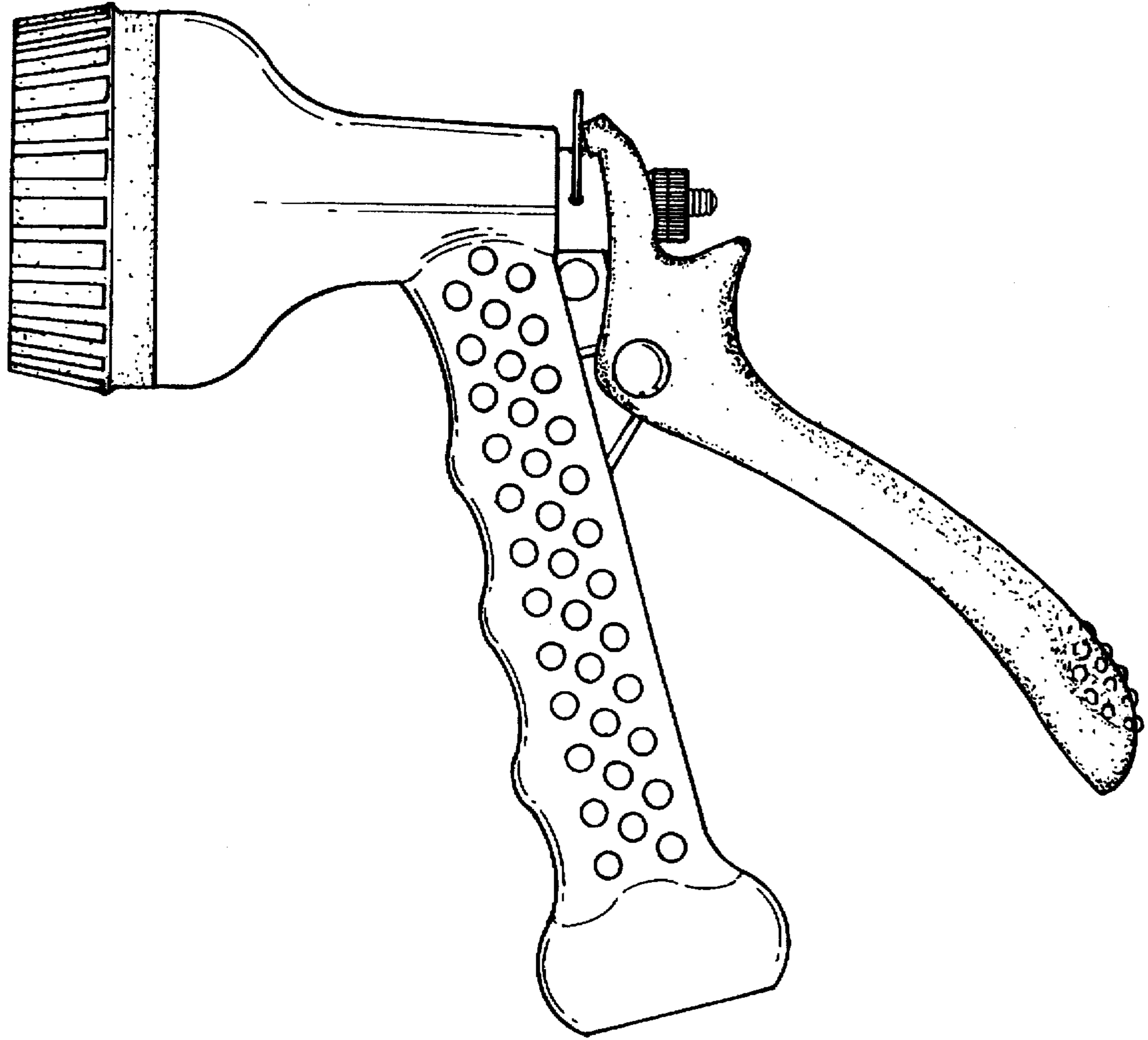


Fig.4

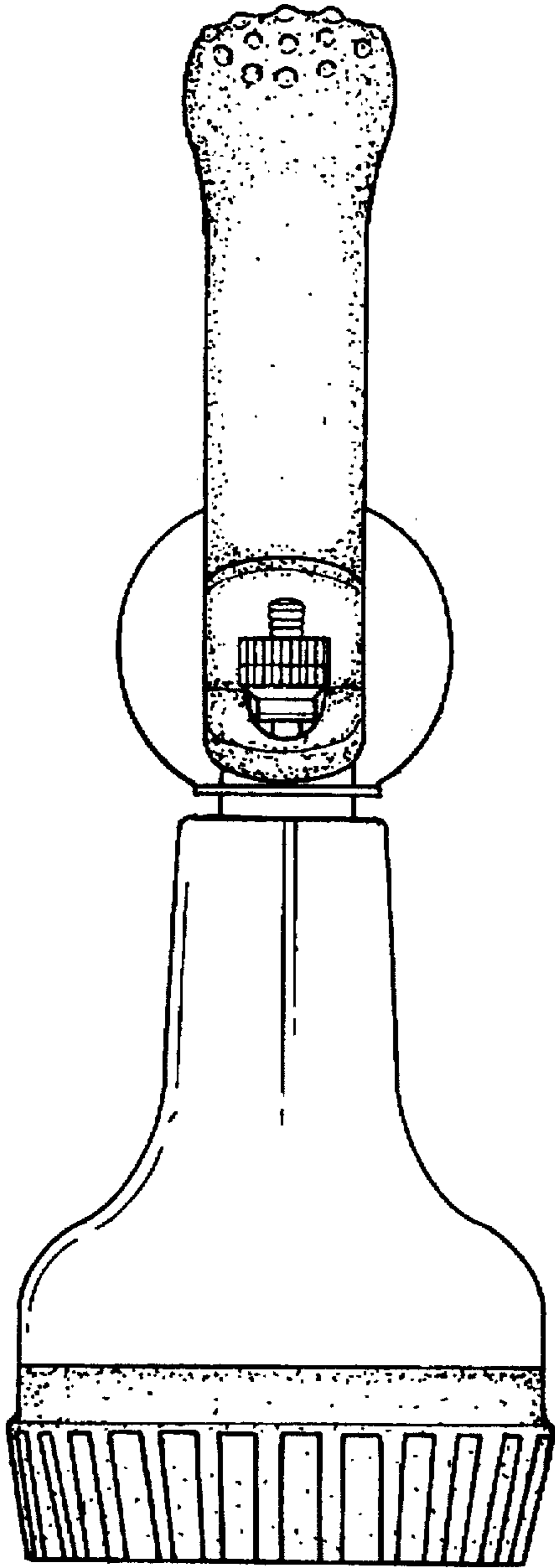


Fig. 5

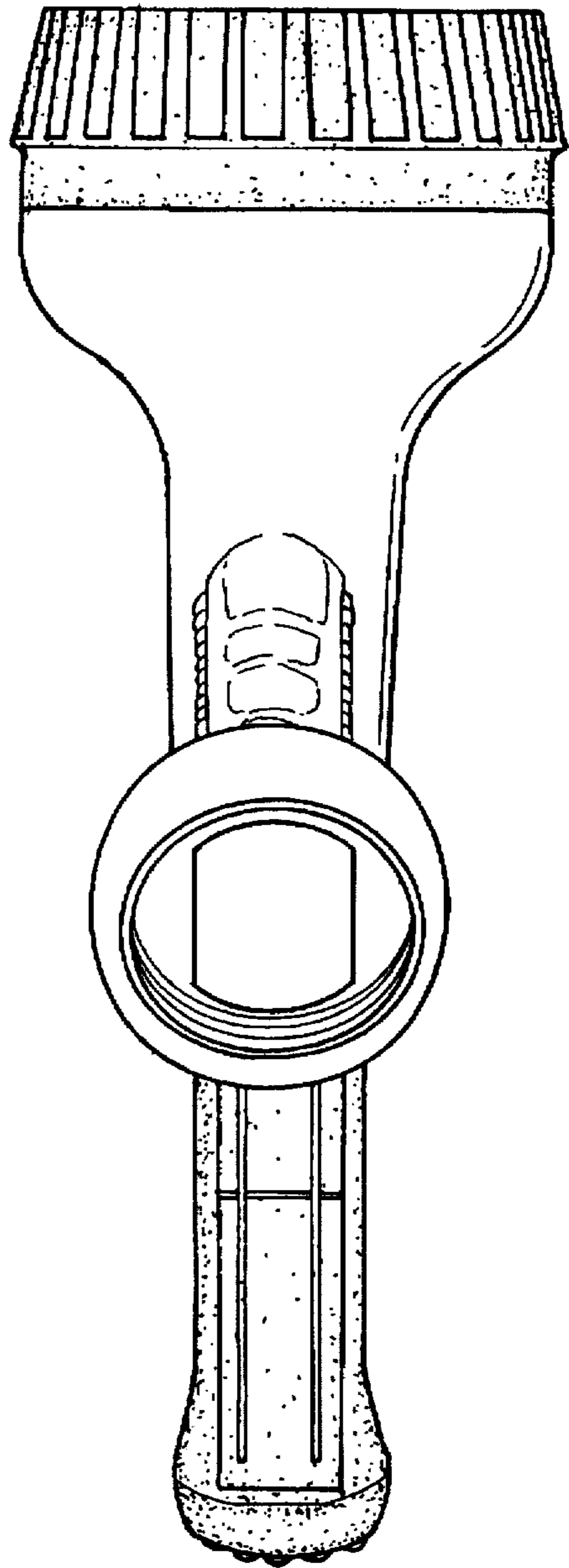


Fig. 6