



US00D384387S

United States Patent [19]

[11] Patent Number: **Des. 384,387**

Dunn, Jr. et al.

[45] Date of Patent: ****Sep. 30, 1997**

[54] **RECREATIONAL EQUIPMENT JUNCTION BOX**

5,387,165 2/1995 Warren 482/35
5,540,636 7/1996 Hellen 482/35

[76] Inventors: **James O. Dunn, Jr.**, 416 N. Laurel Ave., Charlotte, N.C. 28204; **Todd A. Coble**, 12854 Oak Grove Rd., Stanfield, N.C. 28163

Primary Examiner—Raphael Barkai
Assistant Examiner—Mitchell J. Siegel
Attorney, Agent, or Firm—Polster, Lieder, Woodruff & Lucchesi, L.C.

[**] Term: **14 Years**

[57] **CLAIM**

[21] Appl. No.: **55,393**

The ornamental design for recreational equipment junction box, as shown and described.

[22] Filed: **Jun. 5, 1996**

DESCRIPTION

[51] **LOC (6) Cl.** **21-03**

[52] **U.S. Cl.** **D21/240**

[58] **Field of Search** **D21/240-244, D21/245; 482/35, 36**

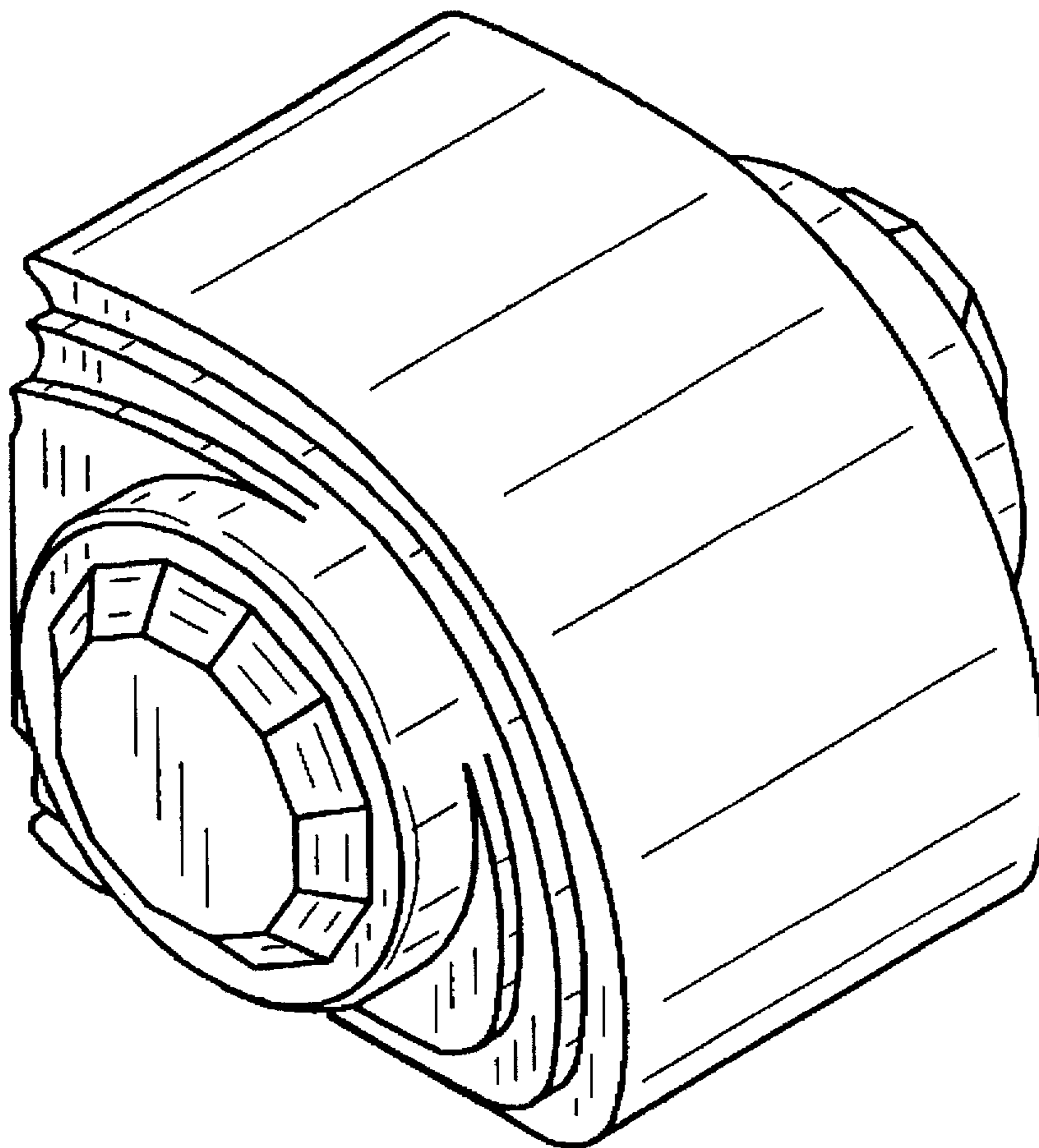
FIG. 1 is a top perspective view of our recreational equipment junction box;
FIG. 2 is a front elevational view thereof;
FIG. 3 is a rear elevational view thereof;
FIG. 4 is a top plan view thereof;
FIG. 5 is a bottom plan view thereof;
FIG. 6 is a left side elevational view thereof; and,
FIG. 7 is a right side elevational view thereof.

[56] **References Cited**

U.S. PATENT DOCUMENTS

3,632,109 1/1972 Dattner 482/35
3,666,266 5/1972 Noguchi 482/35

1 Claim, 2 Drawing Sheets



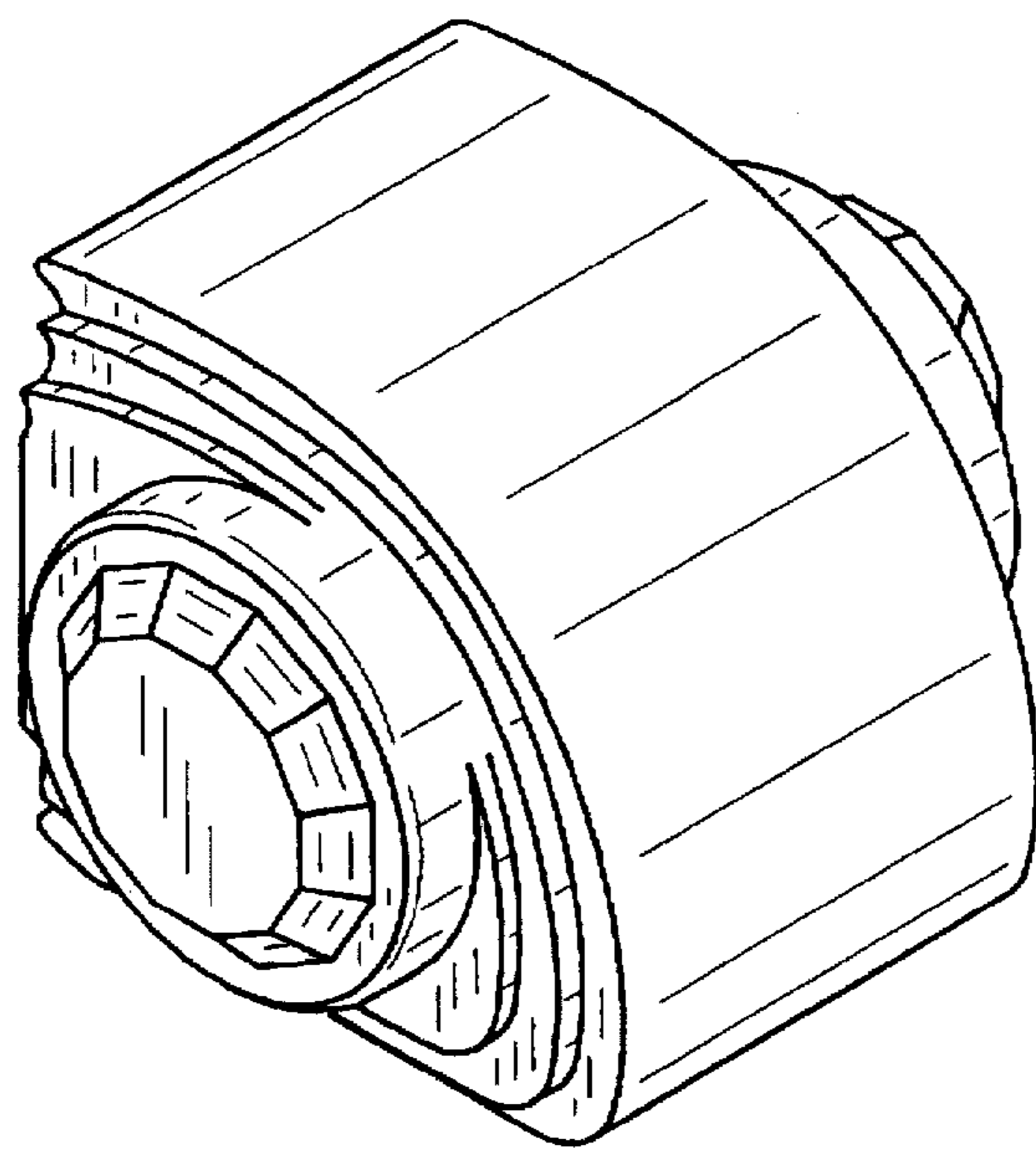


FIG. 1

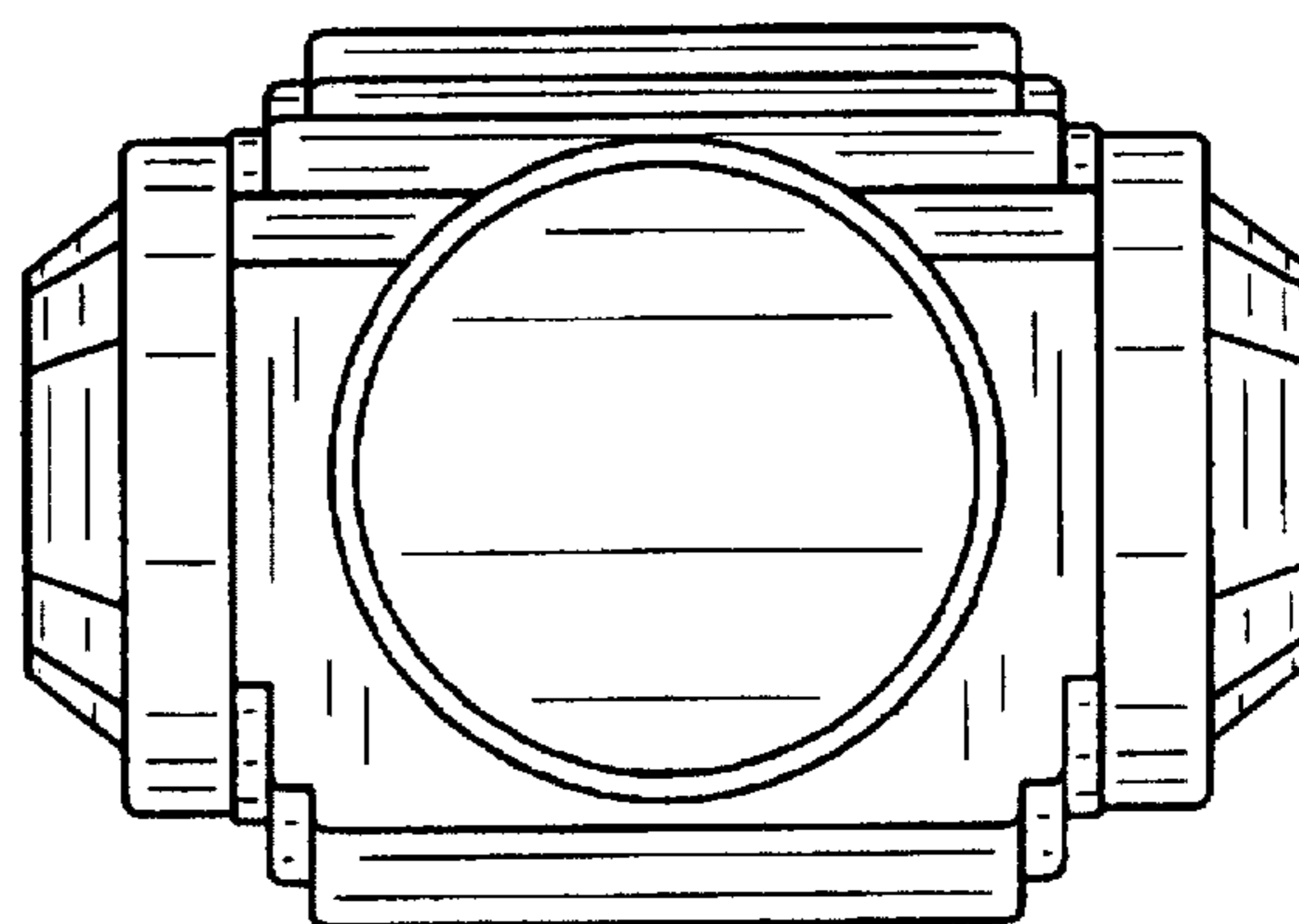


FIG. 2

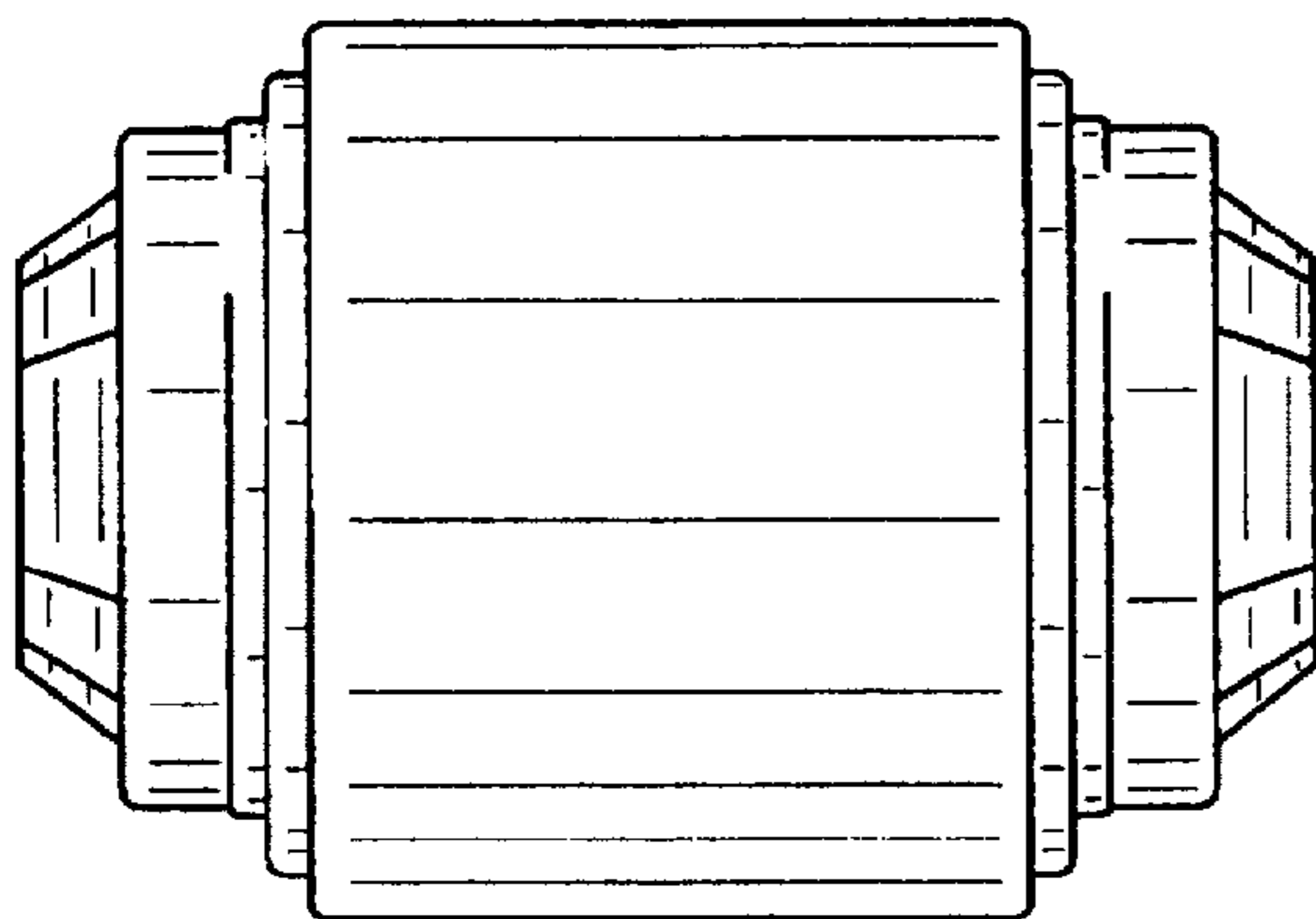


FIG. 3

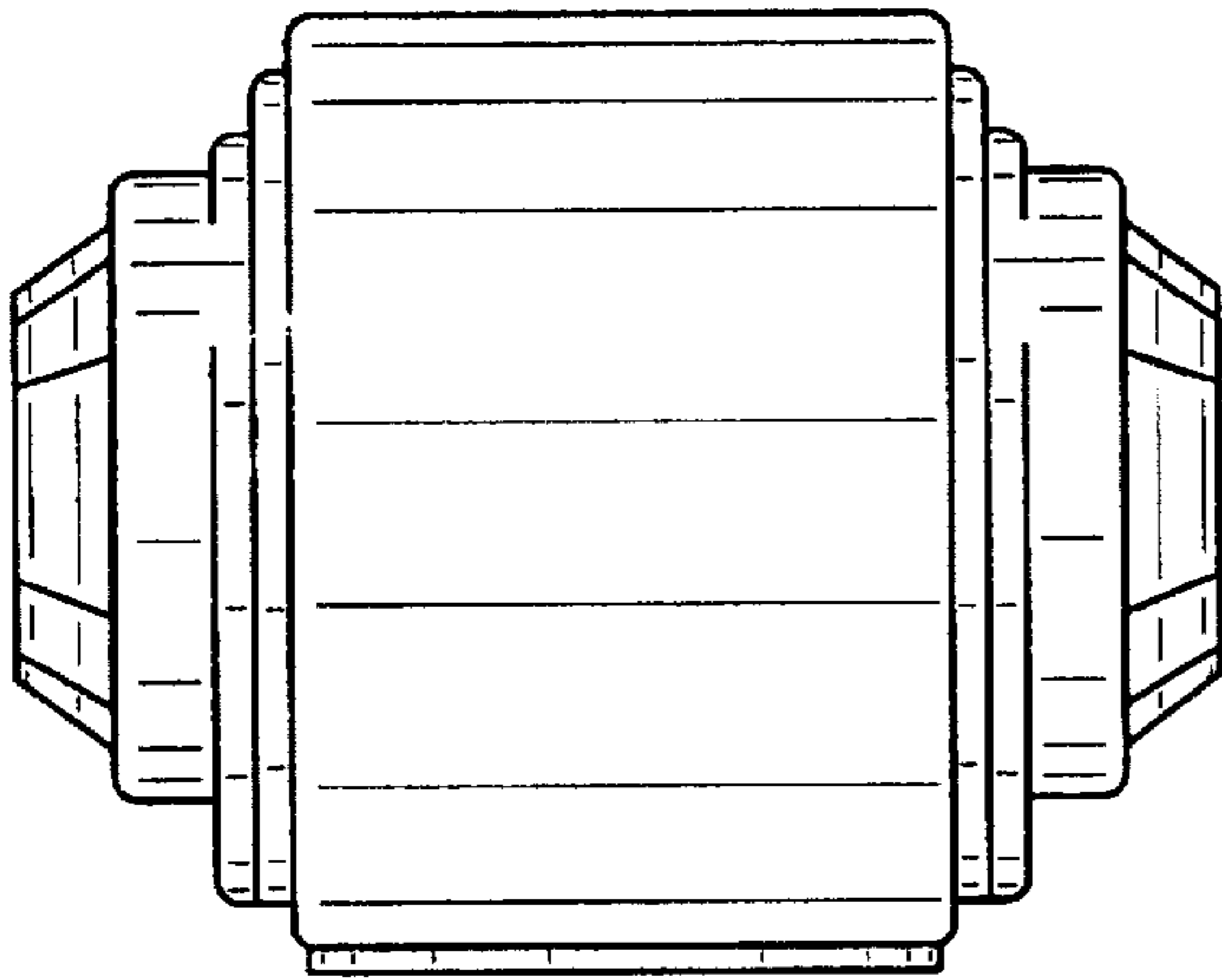


FIG. 4

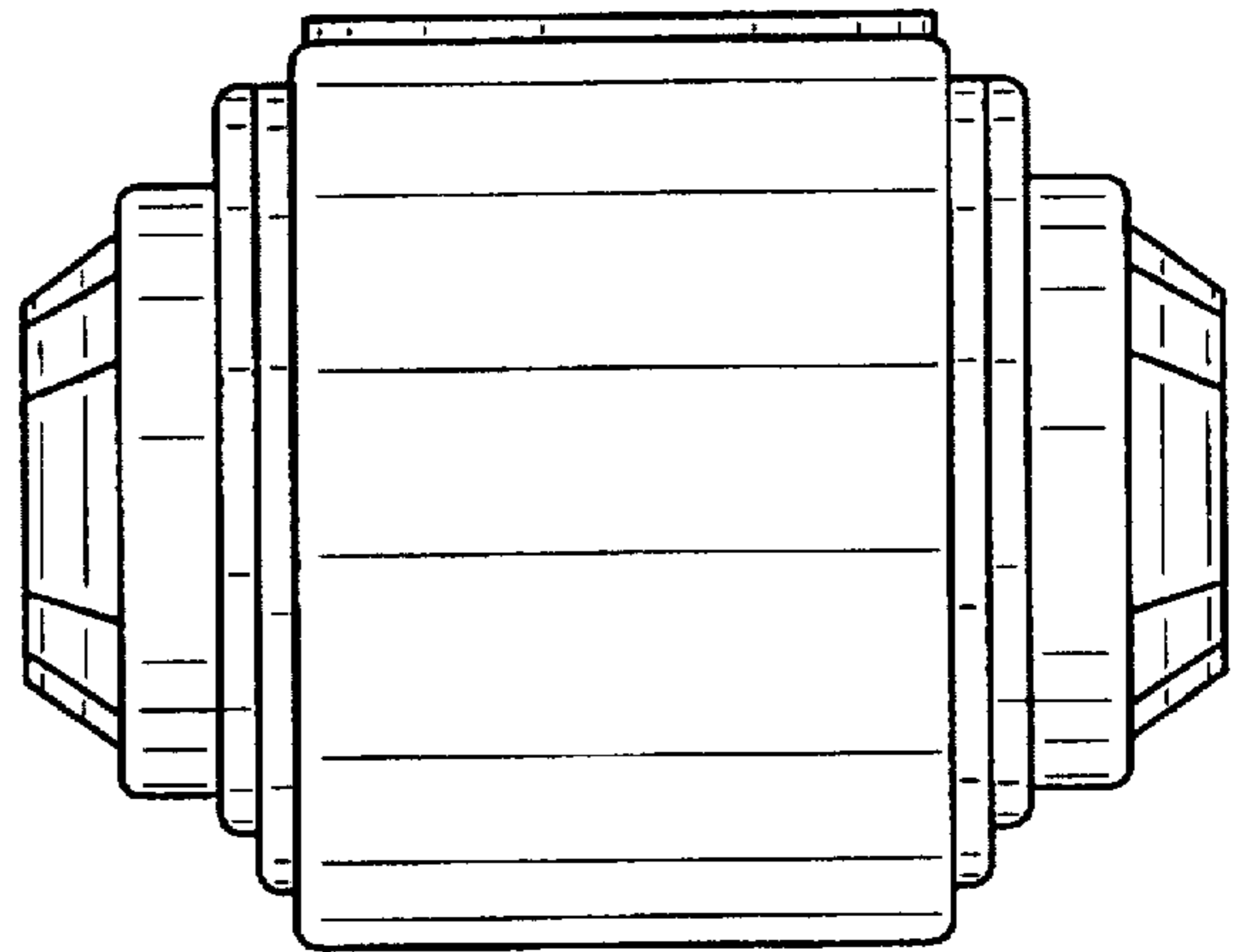


FIG. 5

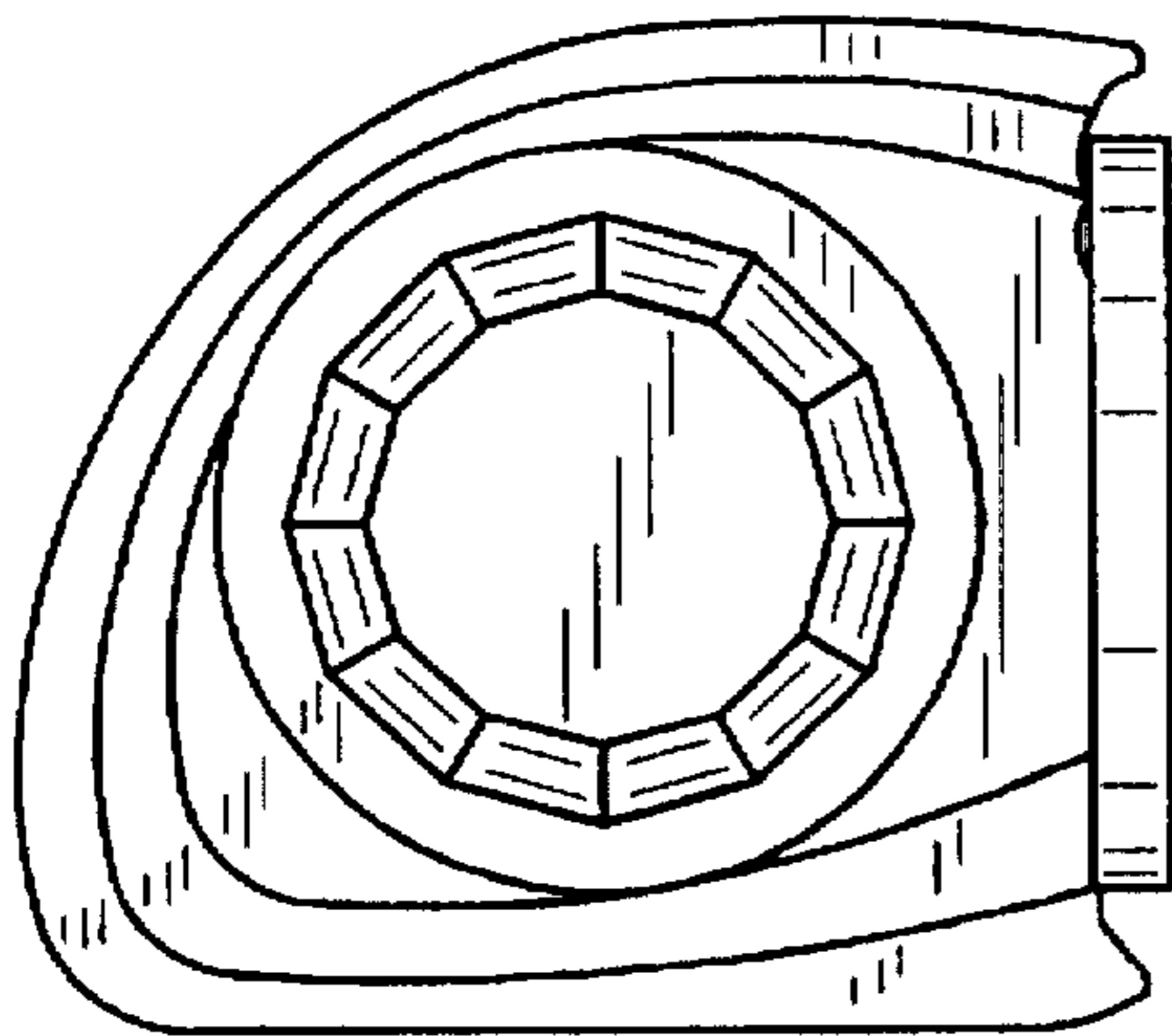


FIG. 6

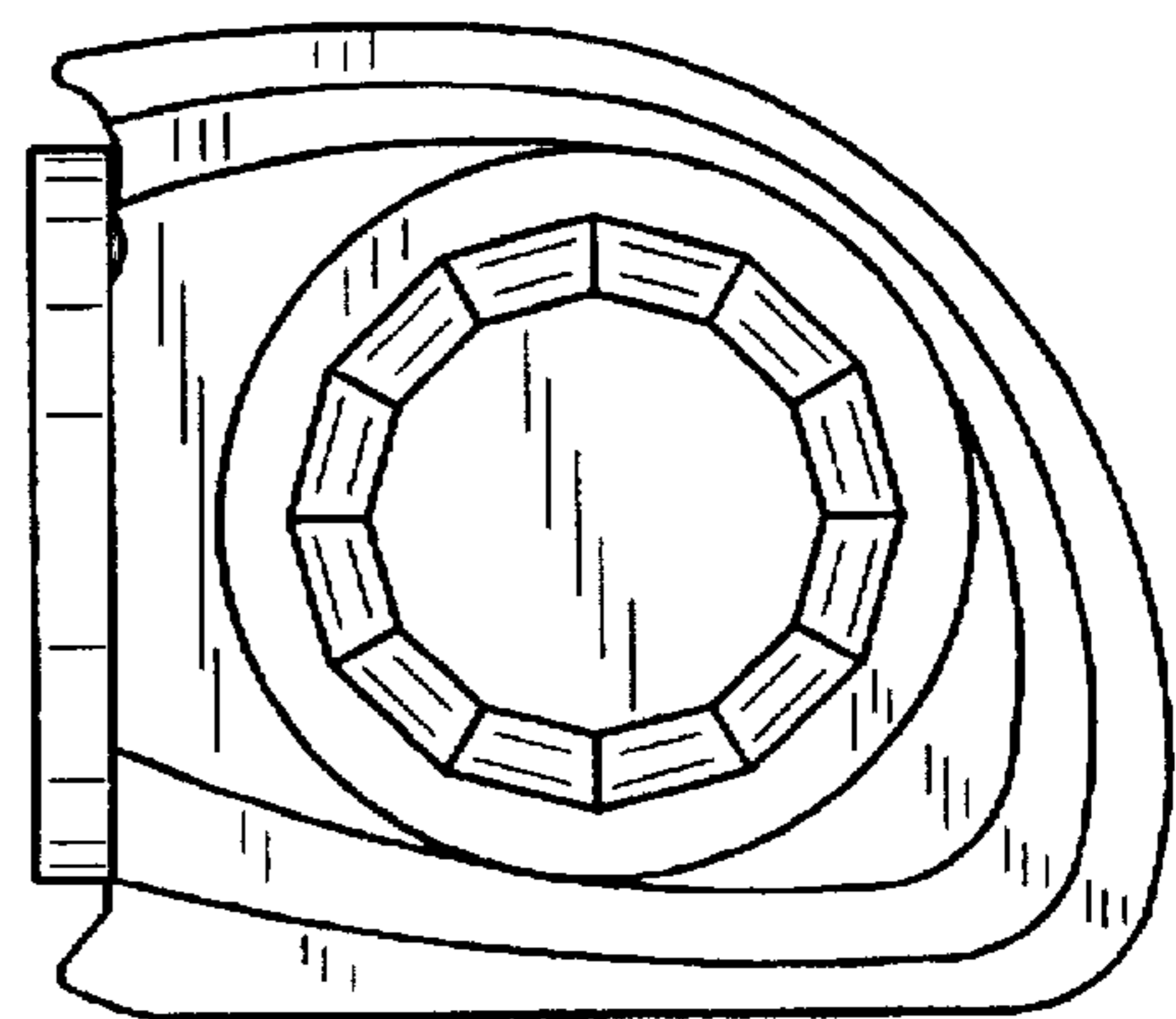


FIG. 7