

US00D384381S

United States Patent [19]
Reilly

[11] **Patent Number: Des. 384,381**

[45] **Date of Patent: **Sep. 30, 1997**

[54] **FINGER WEIGHT**

[76] **Inventor: Peter C. Reilly, Three Hanover Sq.,
New York, N.Y. 10004**

[**] **Term: 14 Years**

[21] **Appl. No.: 55,722**

[22] **Filed: Apr. 10, 1996**

[51] **LOC (6) Cl. 21-02**

[52] **U.S. Cl. D21/196; D11/26**

[58] **Field of Search D11/26-29, 34-39;
D21/191, 196, 198; 482/44, 47, 48, 49**

[56] **References Cited**

U.S. PATENT DOCUMENTS

- D. 321,840 11/1991 Waugh et al. D11/26
- D. 352,754 11/1994 Silagy D21/198
- D. 355,623 2/1995 Pagani D11/26

- D. 374,836 10/1996 Weiss D11/26
- 5,447,490 9/1995 Fula et al. 482/49

Primary Examiner—Sandra L. Morris
Attorney, Agent, or Firm—Charles E. Baxley, Esq.

[57] **CLAIM**

The ornamental design for a finger weight, as shown and described.

DESCRIPTION

FIG. 1 is a perspective view of a finger weight according to my design;
FIG. 2 is front elevational view thereof;
FIG. 3 is a rear elevational view thereof;
FIG. 4 is a right elevational view thereof, the left elevational view thereof being a mirror image of FIG. 4;
FIG. 5 is a top plan view thereof; and,
FIG. 6 is a bottom plan view thereof.

1 Claim, 2 Drawing Sheets

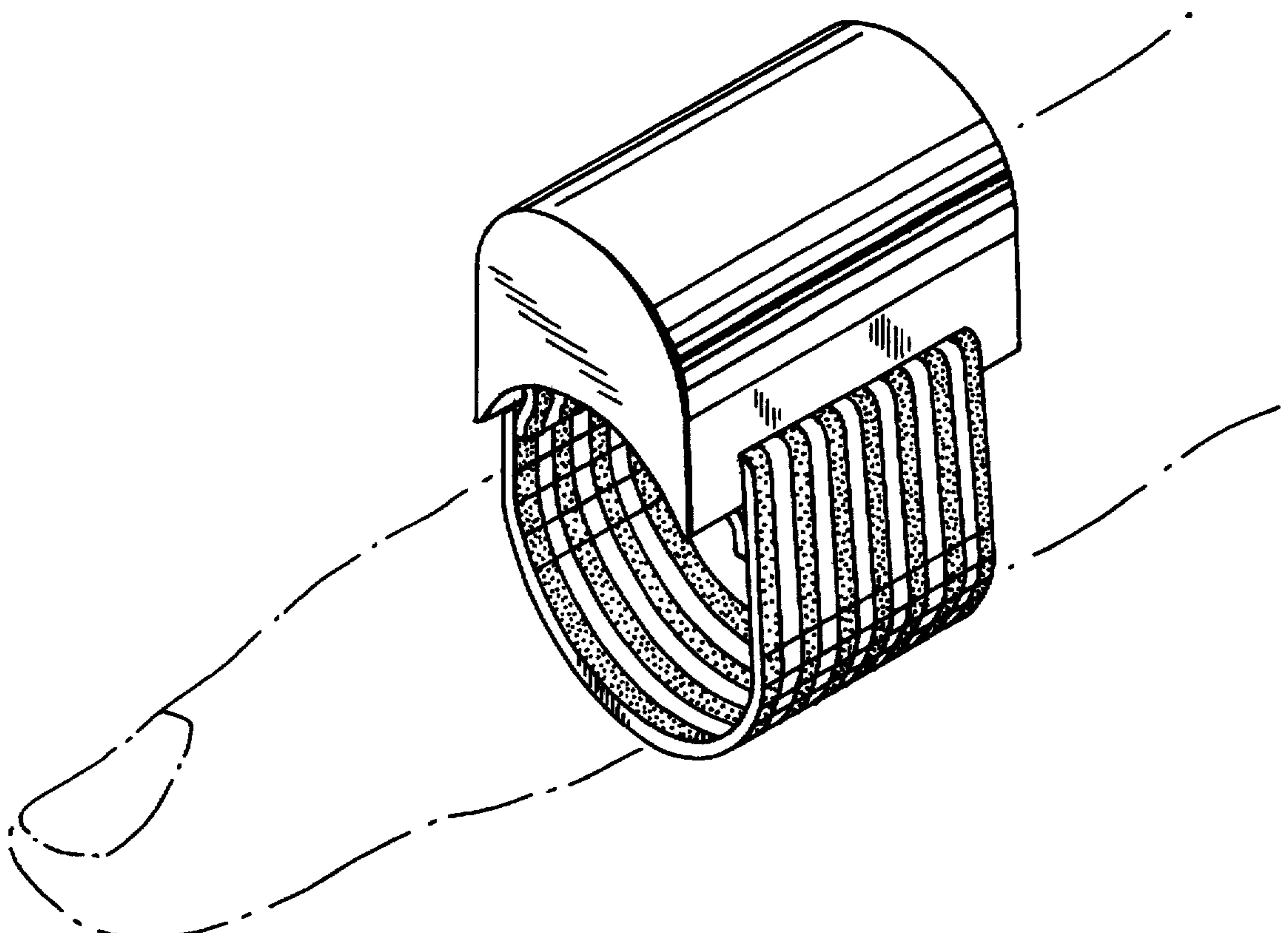


FIG. 1

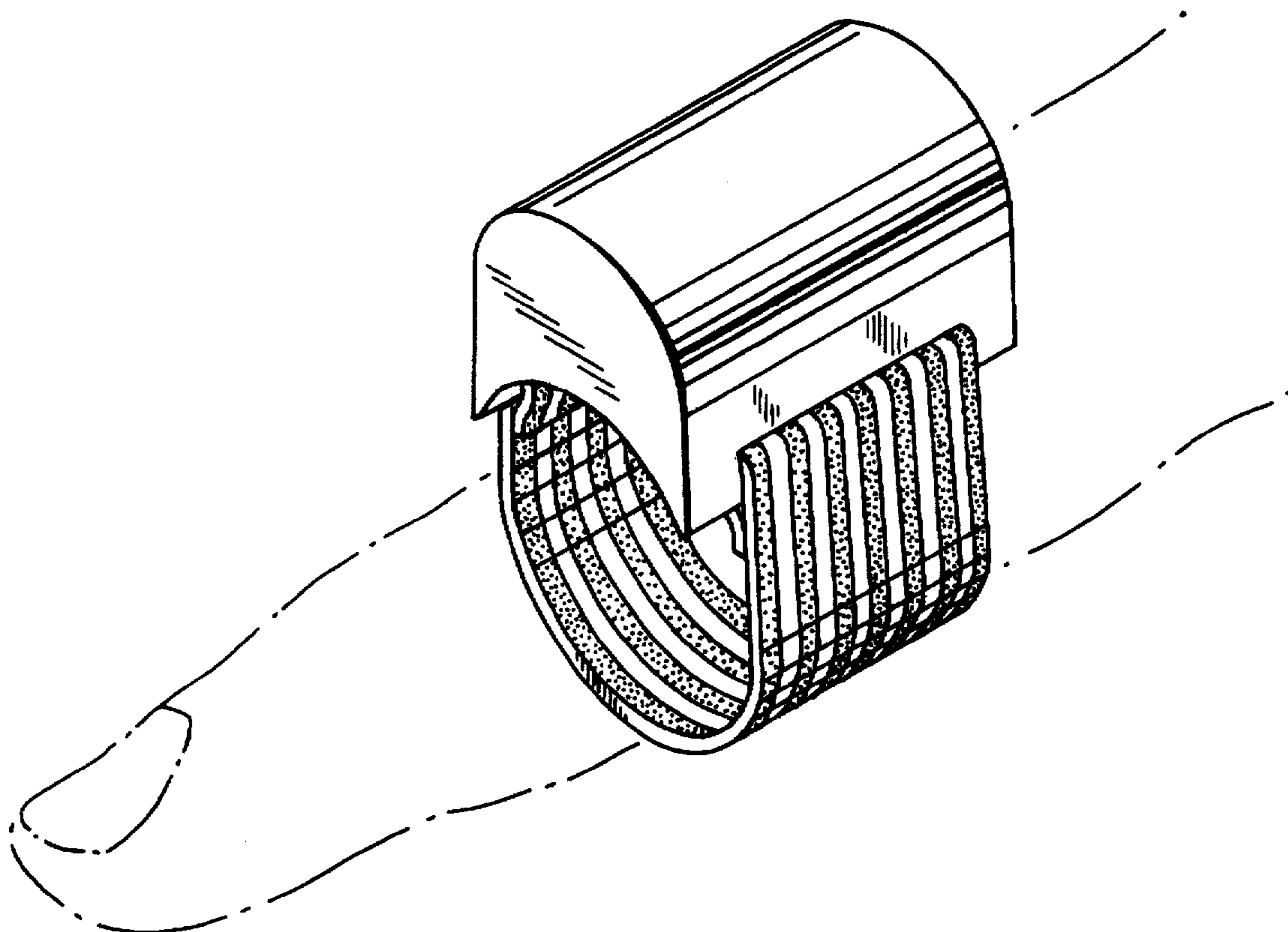
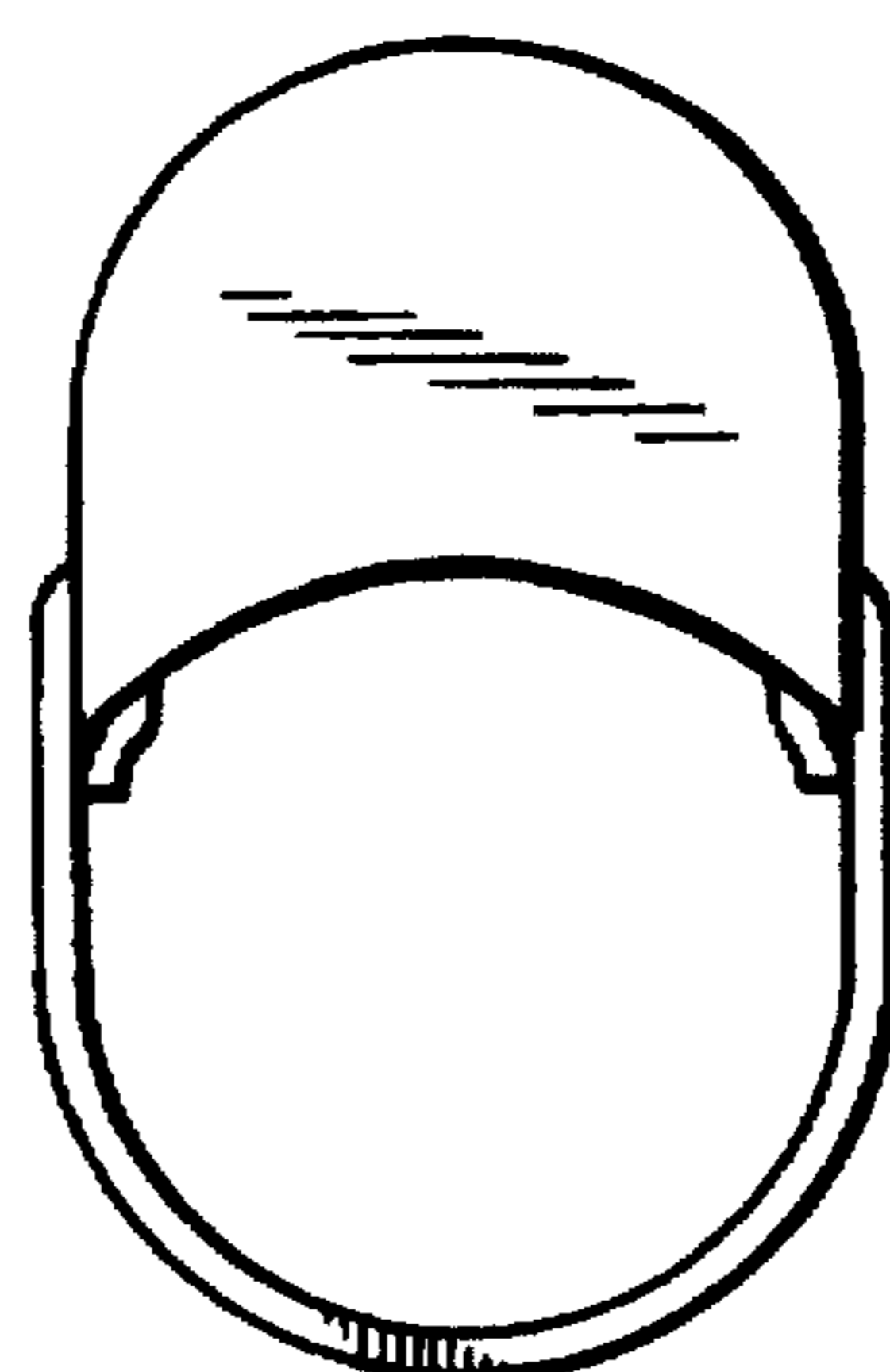


FIG. 2



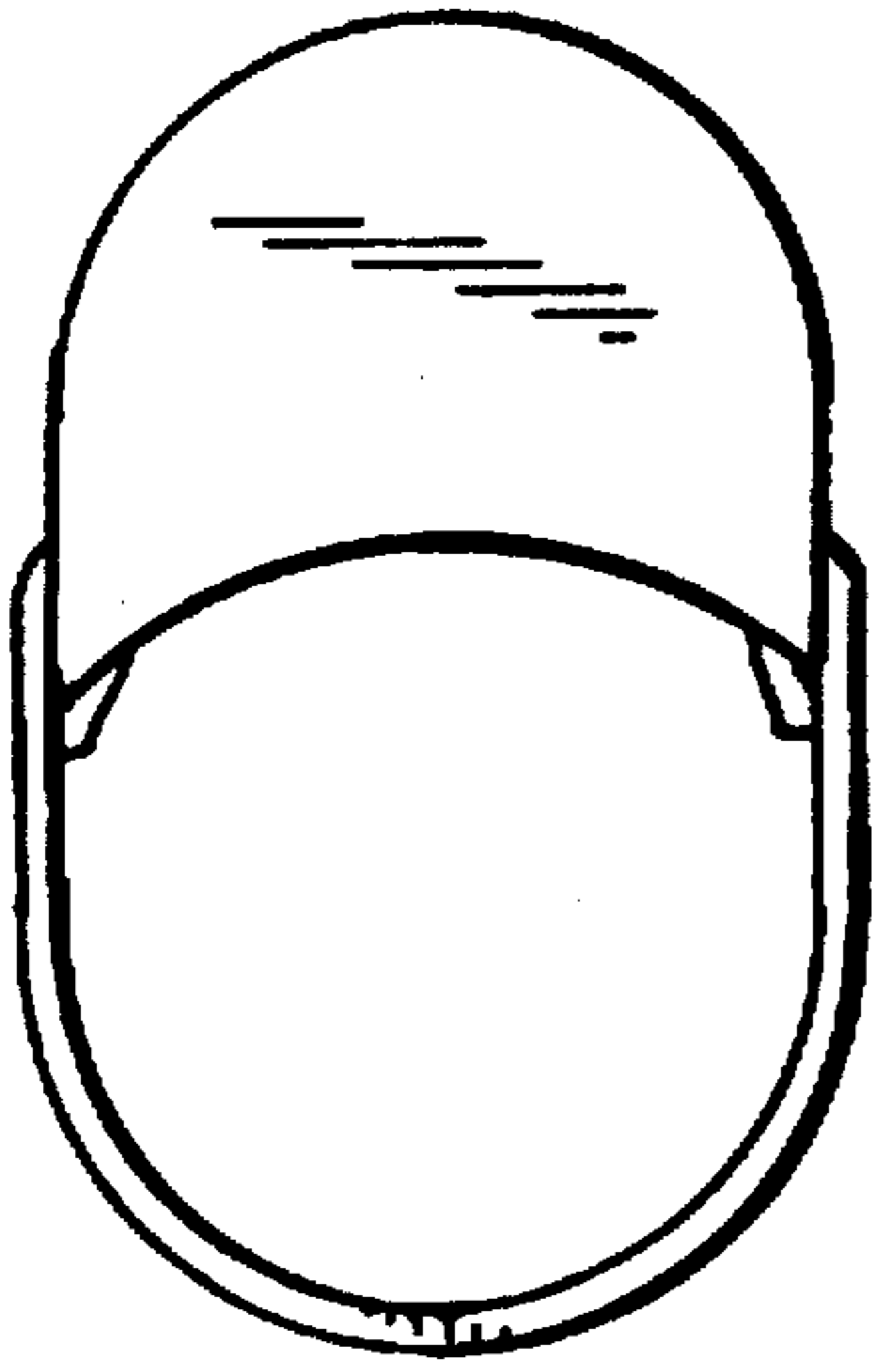


FIG. 3

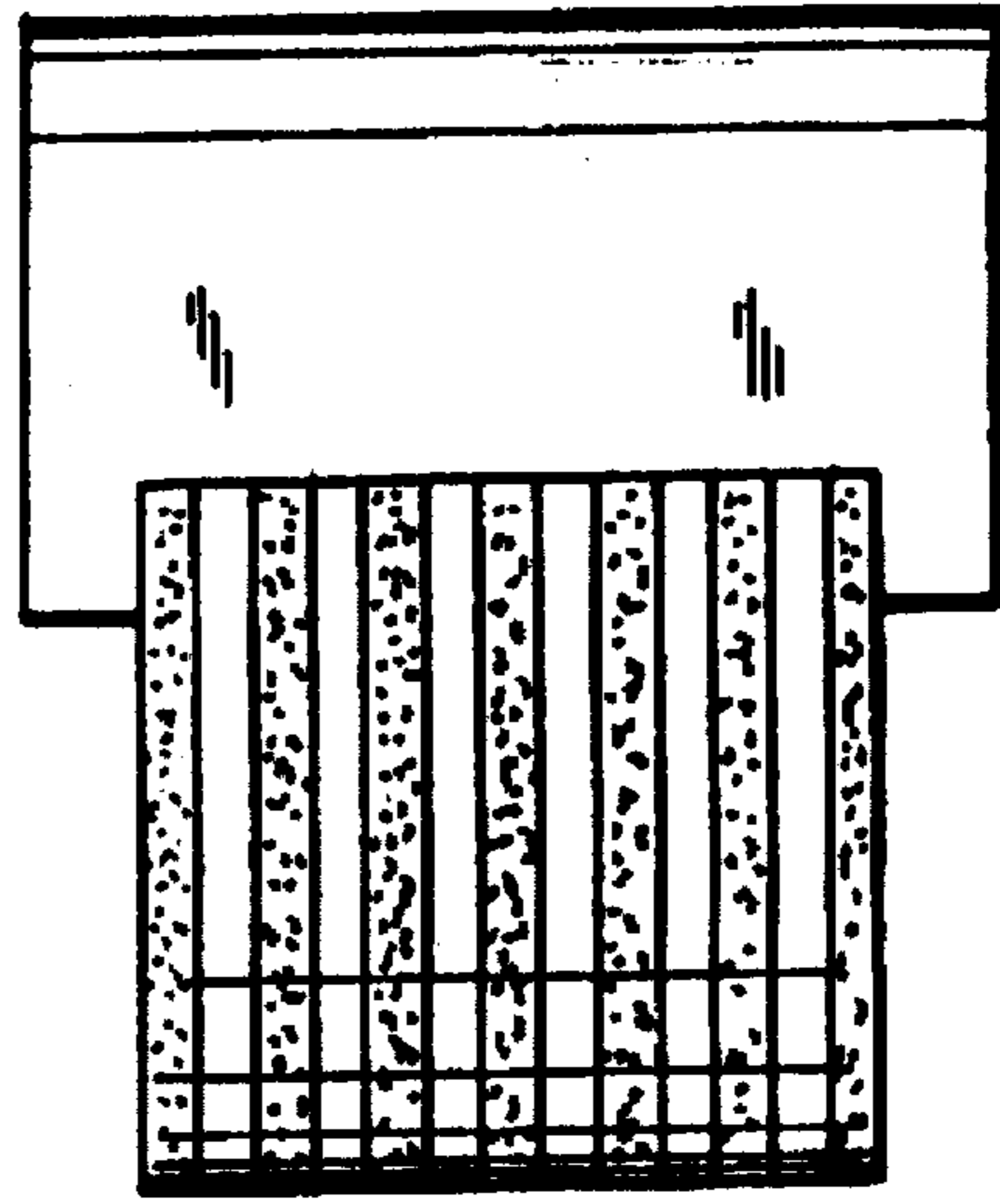


FIG. 4

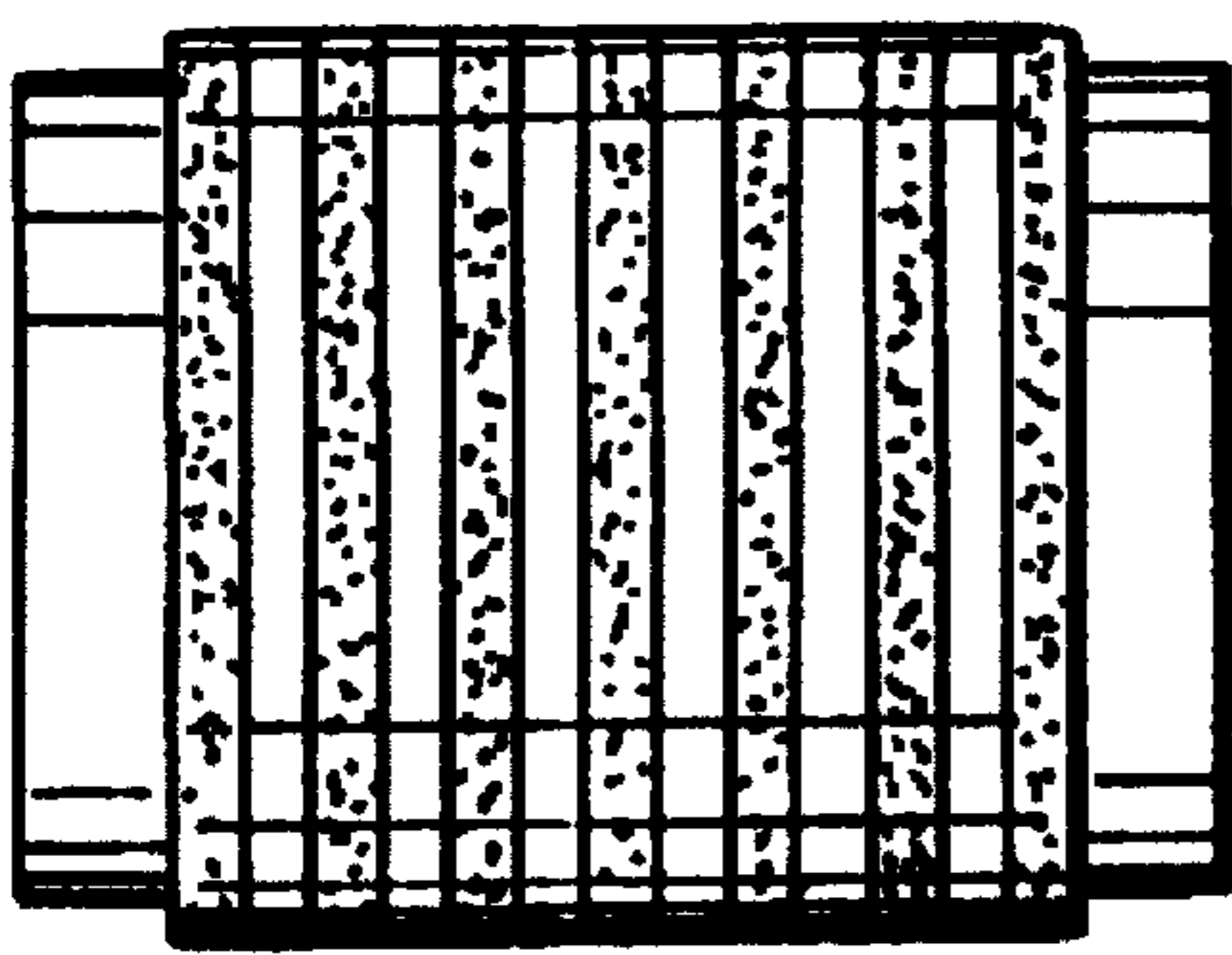


FIG. 6

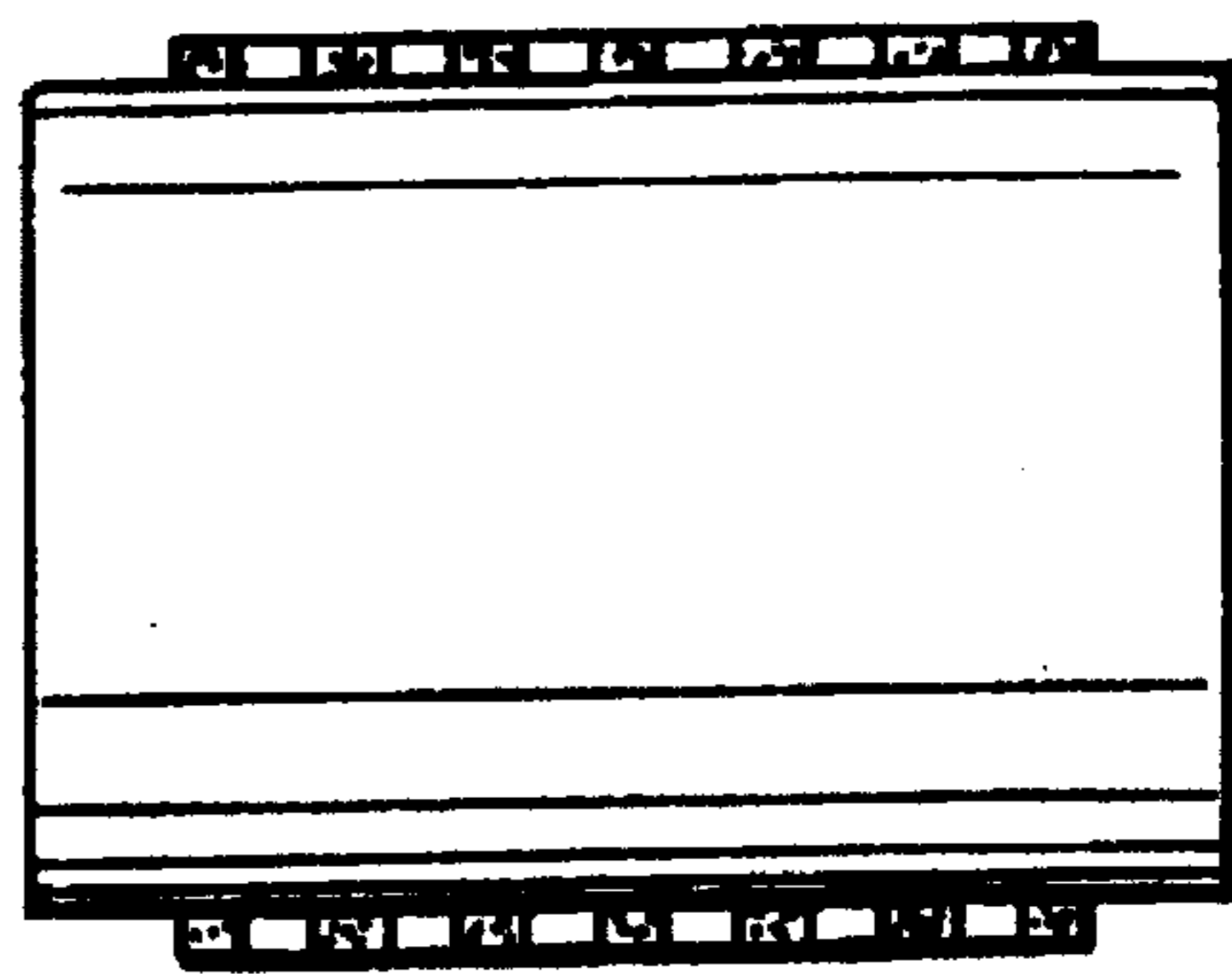


FIG. 5