



US00D384380S

United States Patent [19]

[11] Patent Number: **Des. 384,380**

Wang et al.

[45] Date of Patent: ****Sep. 30, 1997**

[54] **GYMNASTIC BIKE**

D. 343,659	1/1994	Kiiski	D21/194
D. 344,776	3/1994	Lertyaovarit	D21/194
D. 356,840	3/1995	Huang	D21/194
5,330,402	7/1994	Johnson	482/62

[75] Inventors: **Leao Wang; Peter Wu; Enzo Hang,**
all of Taichung Hsien, Taiwan

[73] Assignee: **Greenmaster Industrial Corp.,**
Taichung Hsien, Taiwan

Primary Examiner—Sandra L. Morris
Attorney, Agent, or Firm—Bacon & Thomas

[**] Term: **14 Years**

[57] **CLAIM**

[21] Appl. No.: **53,188**

The ornamental design for a gymnastic bike, as shown and described.

[22] Filed: **Apr. 17, 1996**

DESCRIPTION

[51] LOC (6) Cl. **21-02**

FIG. 1 is a perspective view of a gymnastic bike according to our design;

[52] U.S. Cl. **D21/194**

FIG. 2 is a front elevational view thereof;

[58] Field of Search **D21/191, 194;**

FIG. 3 is a rear elevational view thereof;

482/51, 57, 58, 59, 62, 63

FIG. 4 is a left side elevational view thereof;

FIG. 5 is a right side elevational view thereof;

FIG. 6 is a top plan view thereof; and,

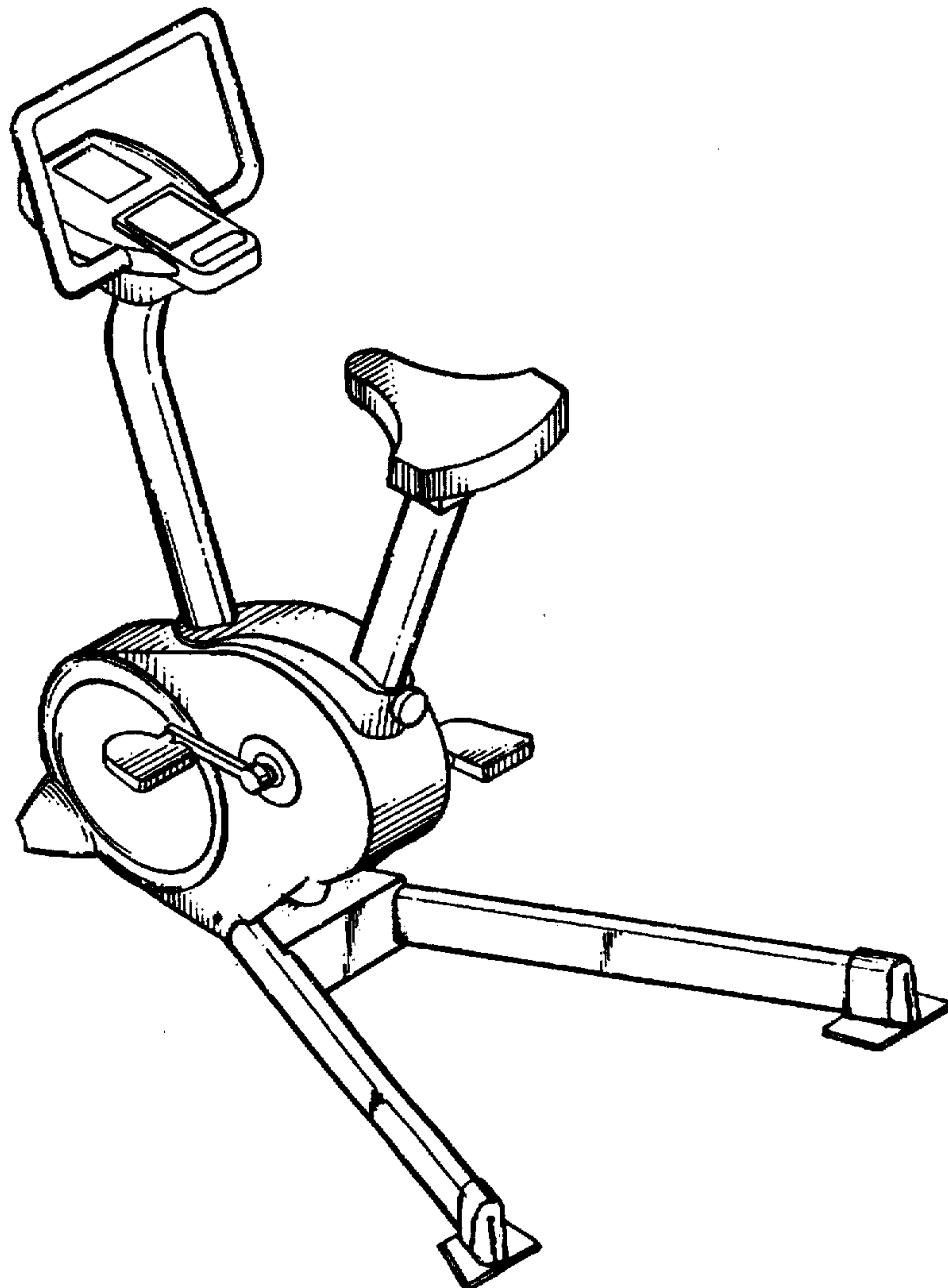
FIG. 7 is a bottom plan view thereof.

[56] **References Cited**

U.S. PATENT DOCUMENTS

D. 302,990	8/1989	Beistegui	D21/194
D. 334,042	3/1993	Wang	D21/194

1 Claim, 4 Drawing Sheets



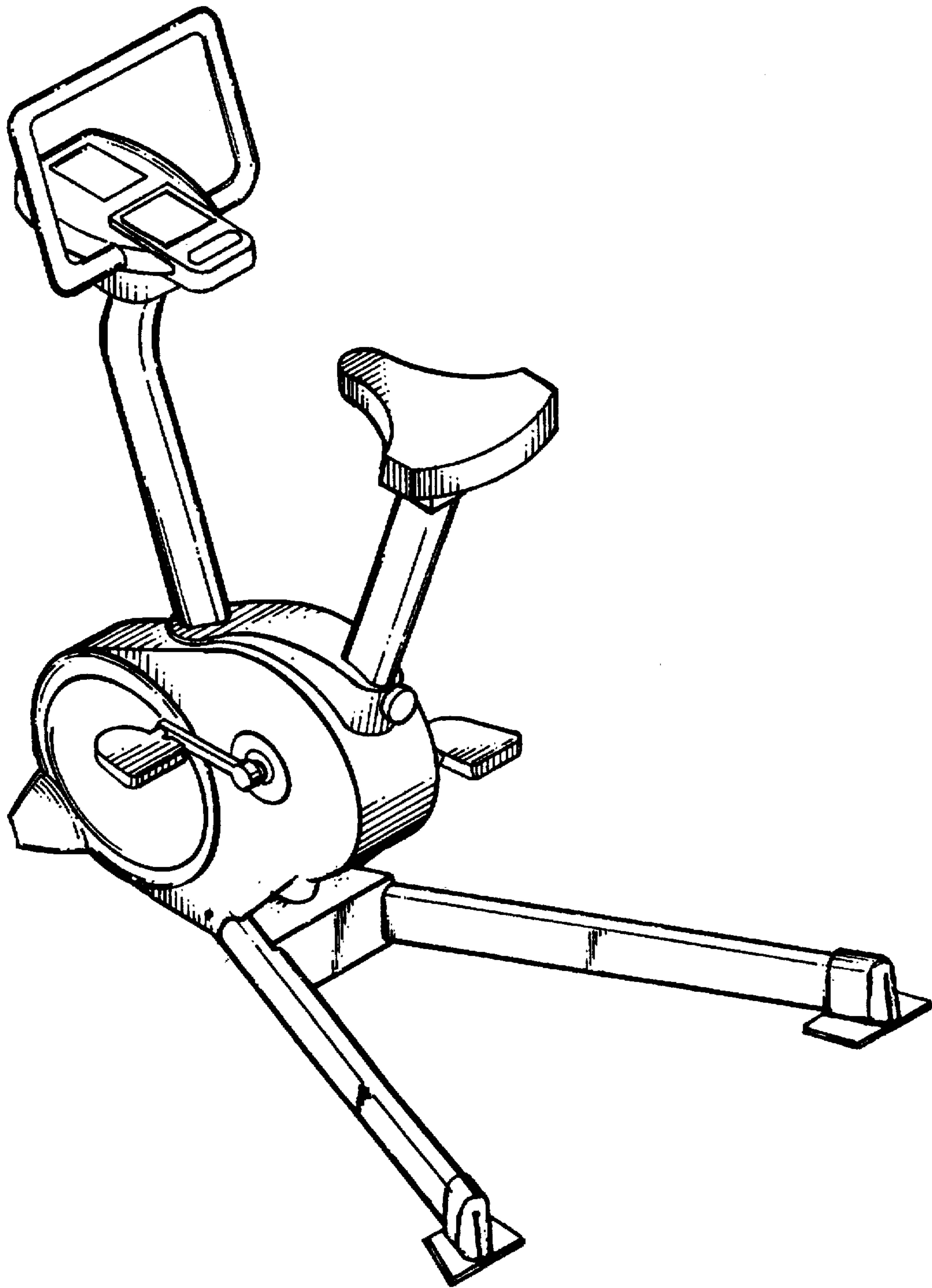


FIG. 1.

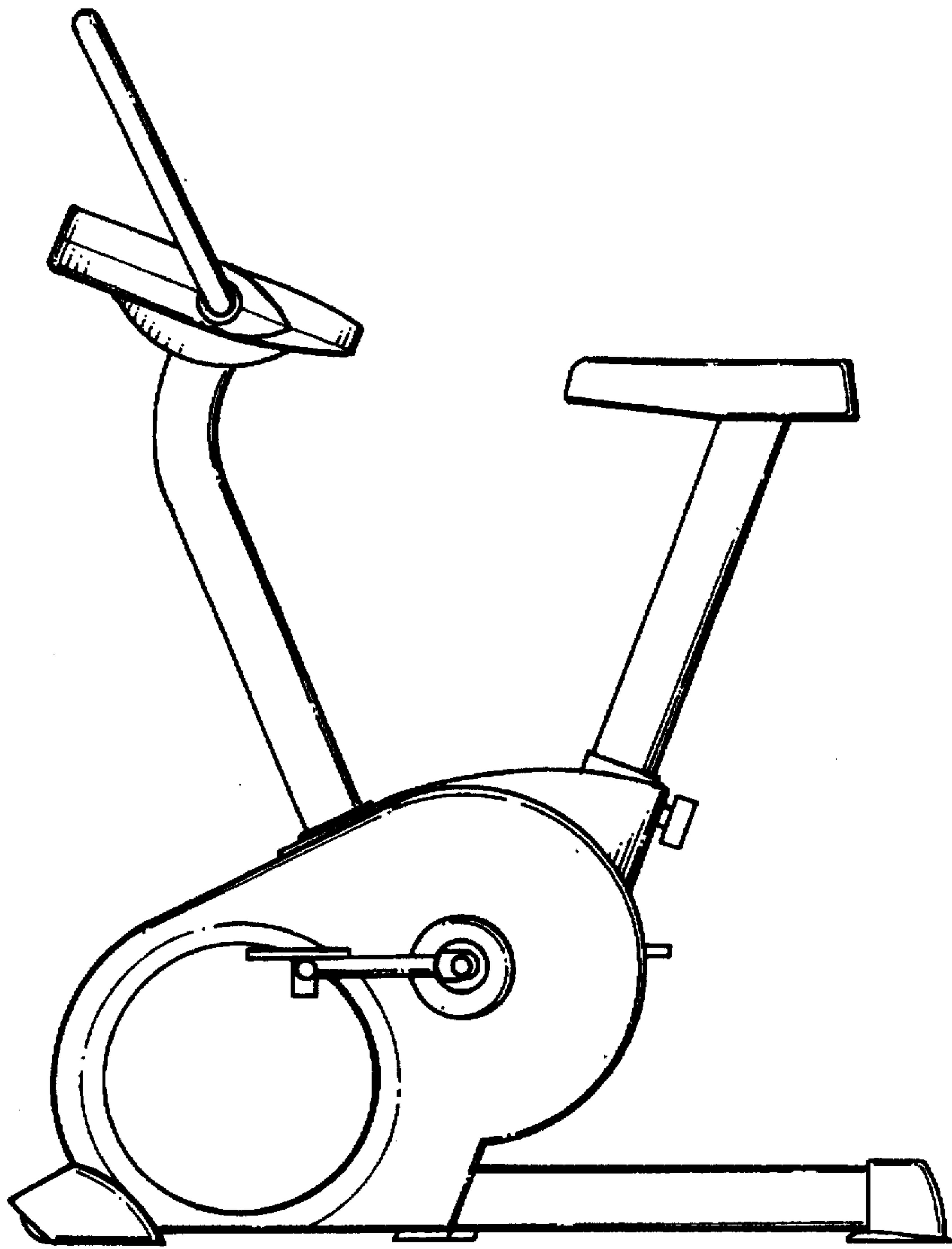


FIG. 2.

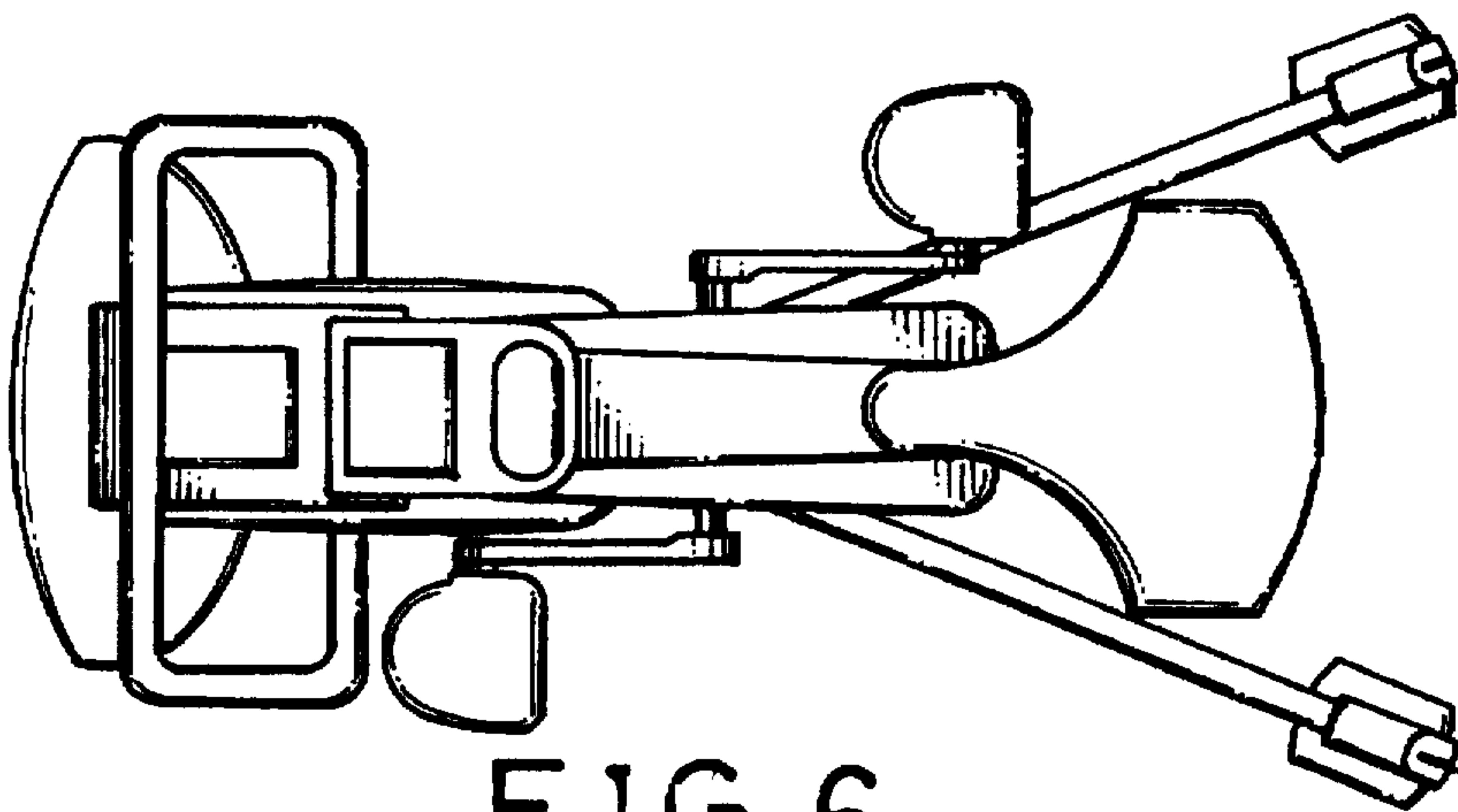


FIG. 6.

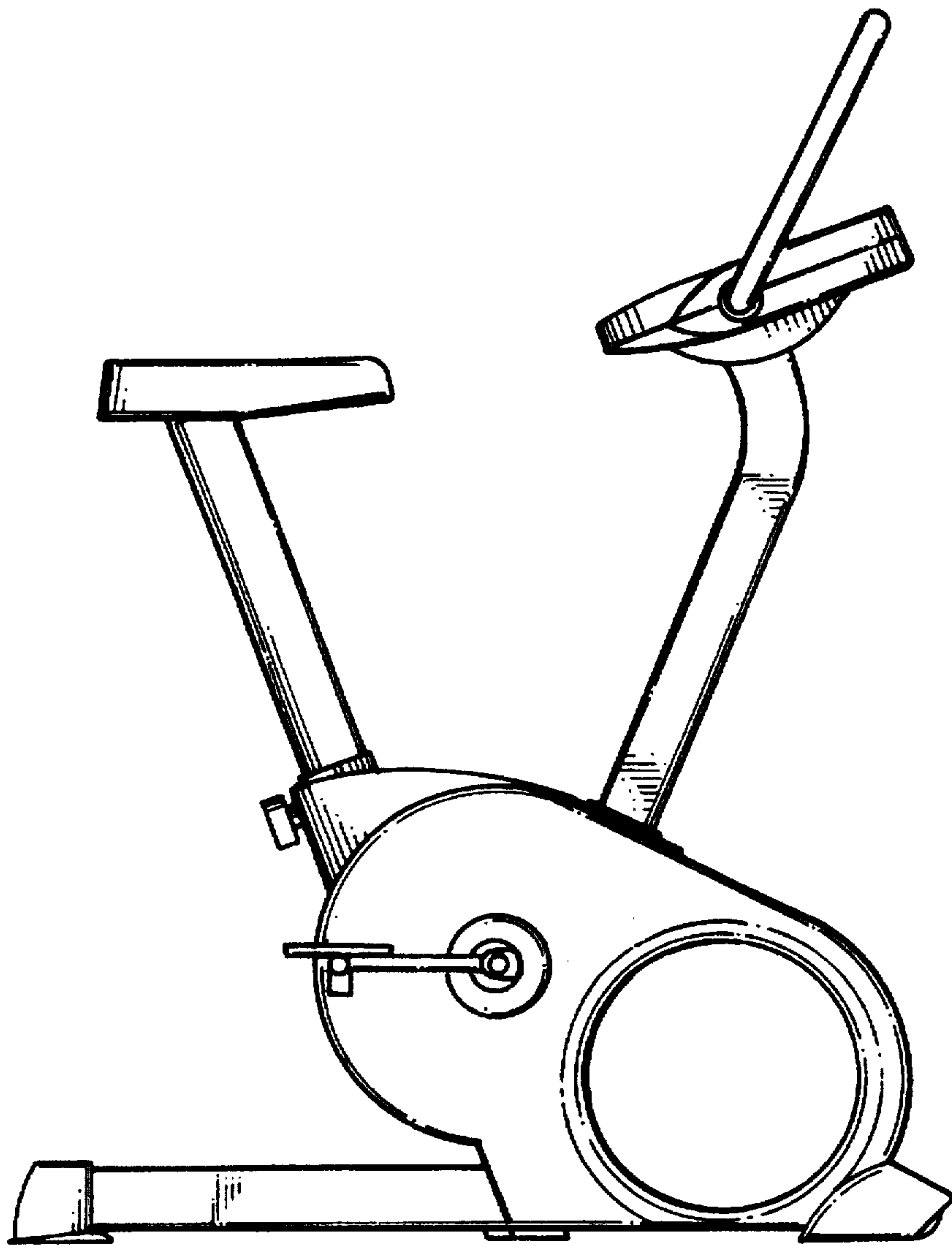


FIG. 3.

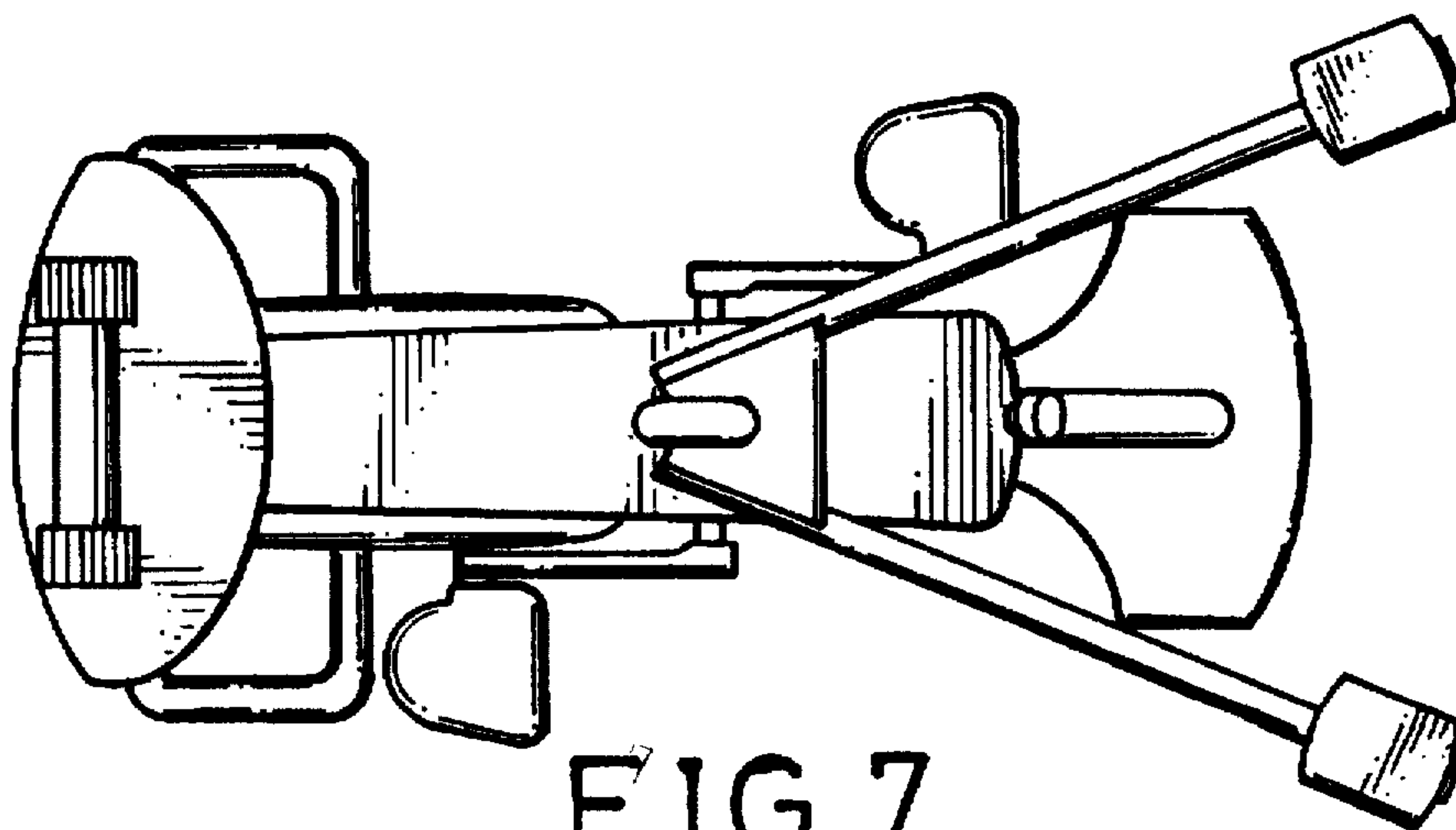


FIG. 7.

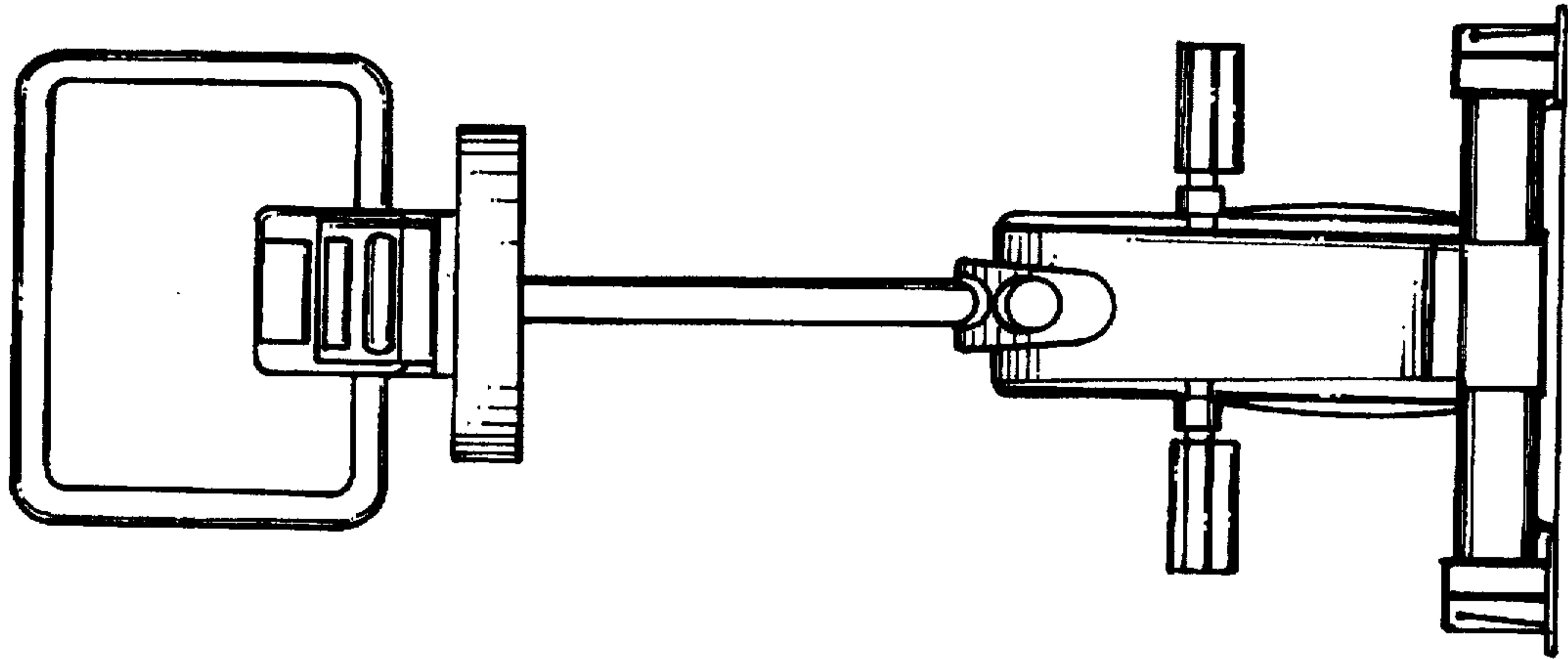


FIG. 5.

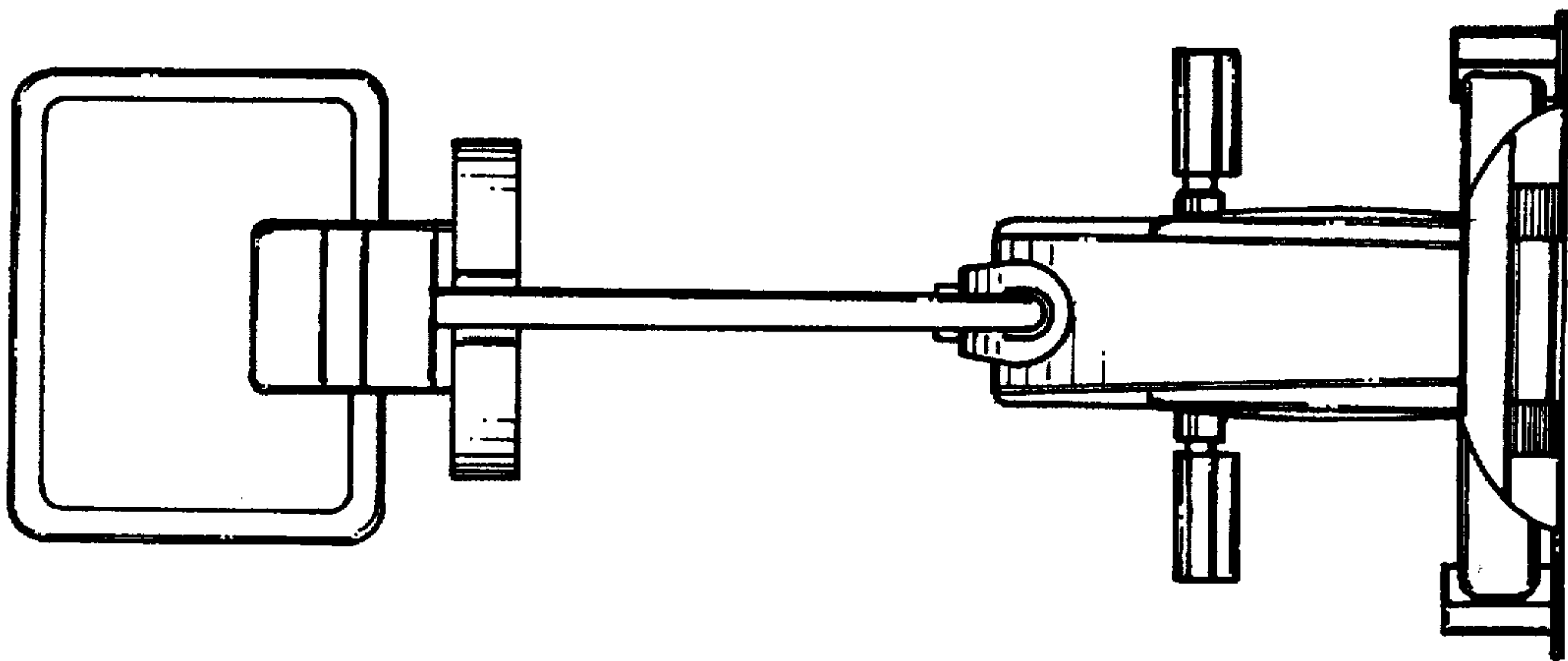


FIG. 4.