

US00D384369S

United States Patent [19]

Komatsu

[11] **Patent Number: Des. 384,369**

[45] **Date of Patent: **Sep. 30, 1997**

[54] **SORTER FOR PHOTOCOPIER**

[75] **Inventor: Hiroshi Komatsu, Yokohama, Japan**

[73] **Assignee: Canon Kabushiki Kaisha, Tokyo, Japan**

[**] **Term: 14 Years**

[21] **Appl. No.: 47,677**

[22] **Filed: Dec. 11, 1995**

[30] **Foreign Application Priority Data**

Jun. 12, 1995 [JP] Japan 7-16687

[51] **LOC (6) Cl. 18-99**

[52] **U.S. Cl. D18/47**

[58] **Field of Search D18/36-40, 46-49;
211/50; 226/74, 196; 271/145, 162-164;
355/308, 309, 321, 324; 400/613, 619,
624, 625, 629, 691**

[56] **References Cited**

U.S. PATENT DOCUMENTS

D. 227,034 5/1973 Derby et al. D18/49

D. 316,725 5/1991 Aoyama et al. D18/40
D. 341,849 11/1993 Hiroki D18/49

Primary Examiner—James M. Gandy
Assistant Examiner—Caron D. Veynar

[57] **CLAIM**

The ornamental design for a sorter for photocopier, as shown and described.

DESCRIPTION

FIG. 1 is a front view of a sorter for photocopier showing my new design;

FIG. 2 is a rear view thereof;

FIG. 3 is a top plan view thereof;

FIG. 4 is a bottom plan view thereof;

FIG. 5 is a left side view thereof;

FIG. 6 is a right side view thereof; and,

FIG. 7 is a perspective view thereof.

1 Claim, 3 Drawing Sheets

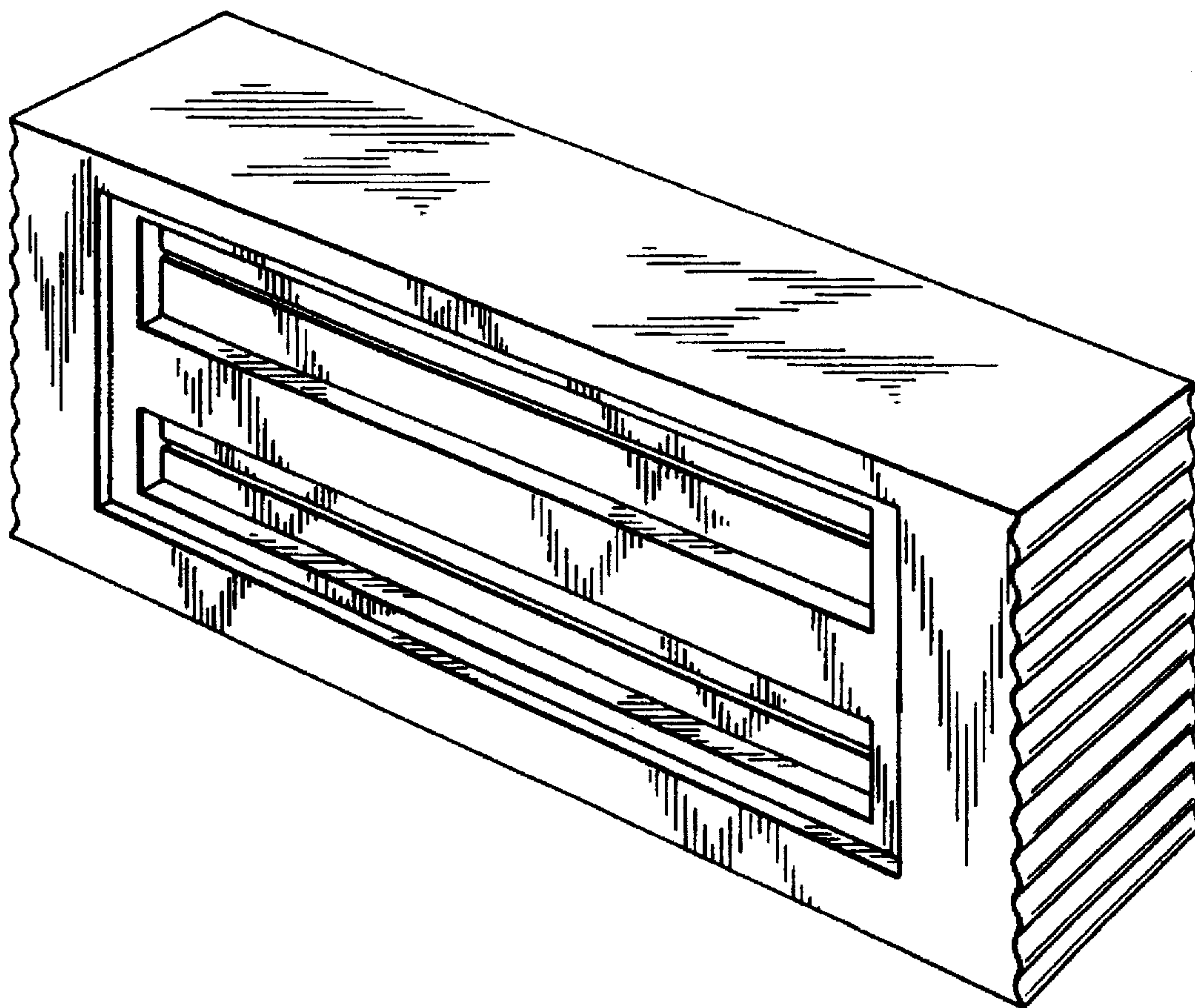


FIG. 1

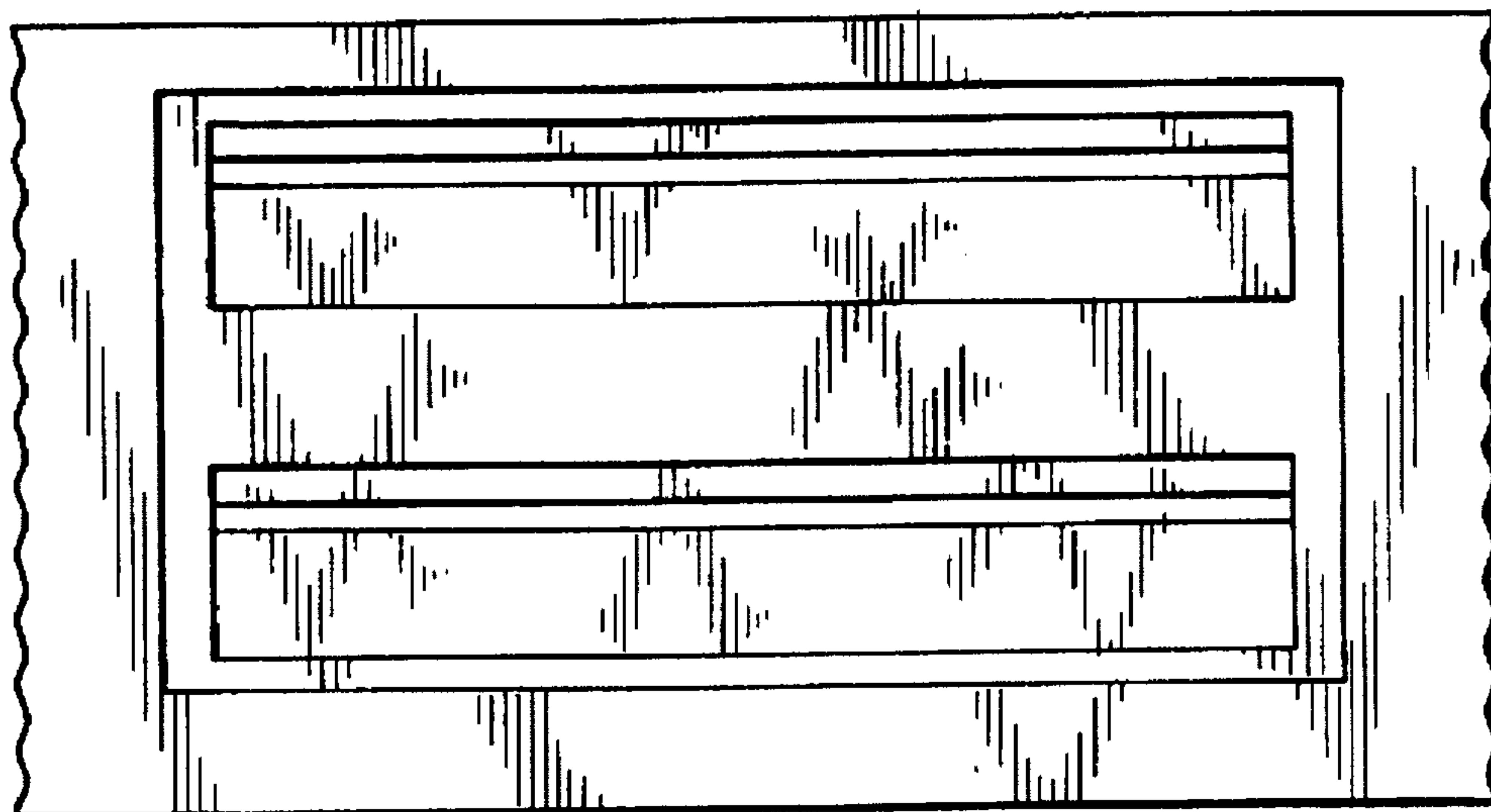


FIG. 2

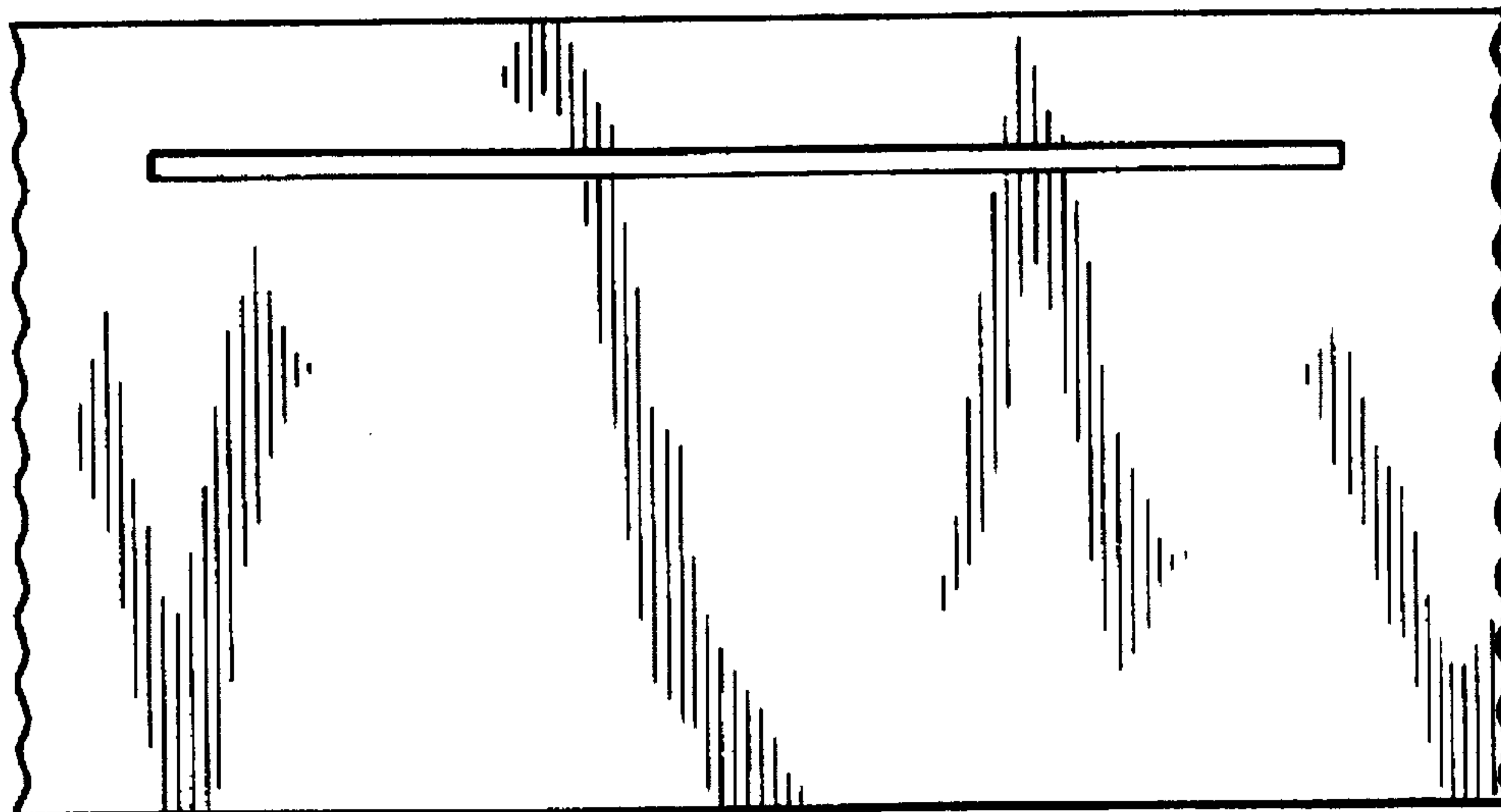


FIG. 3

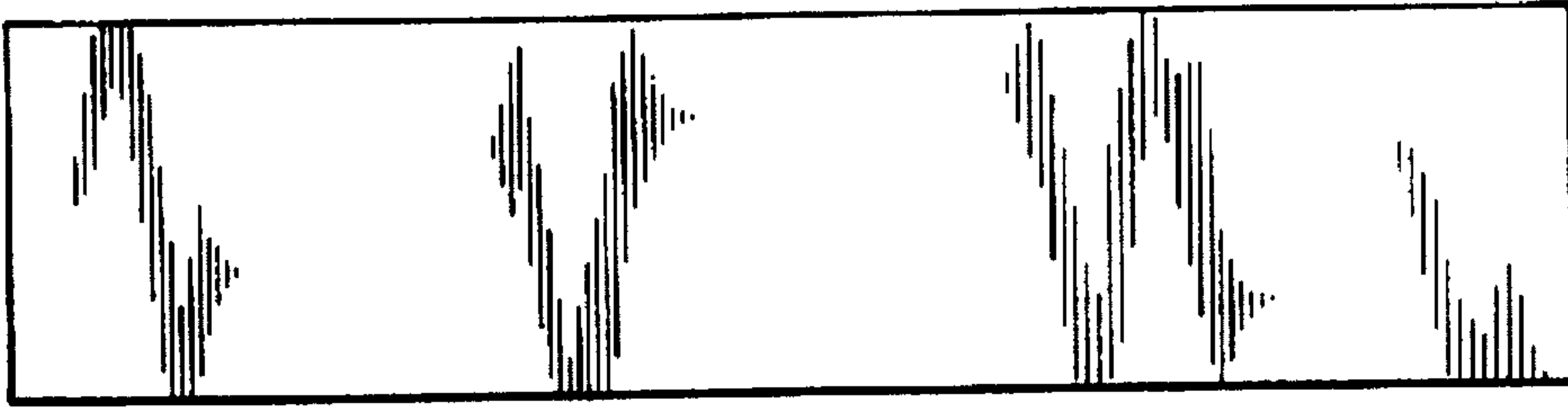


FIG. 4

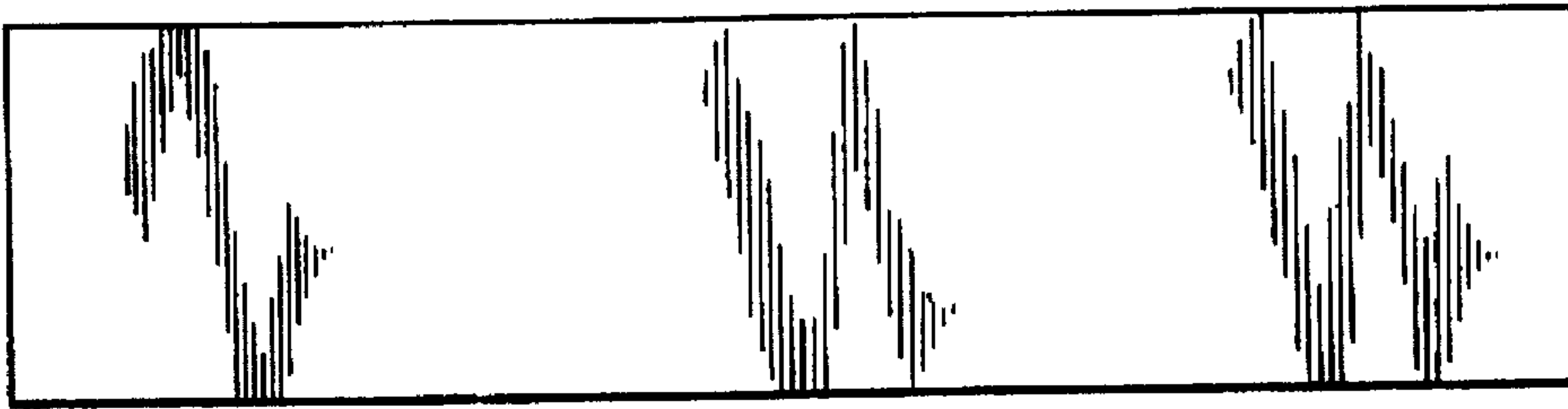


FIG. 5

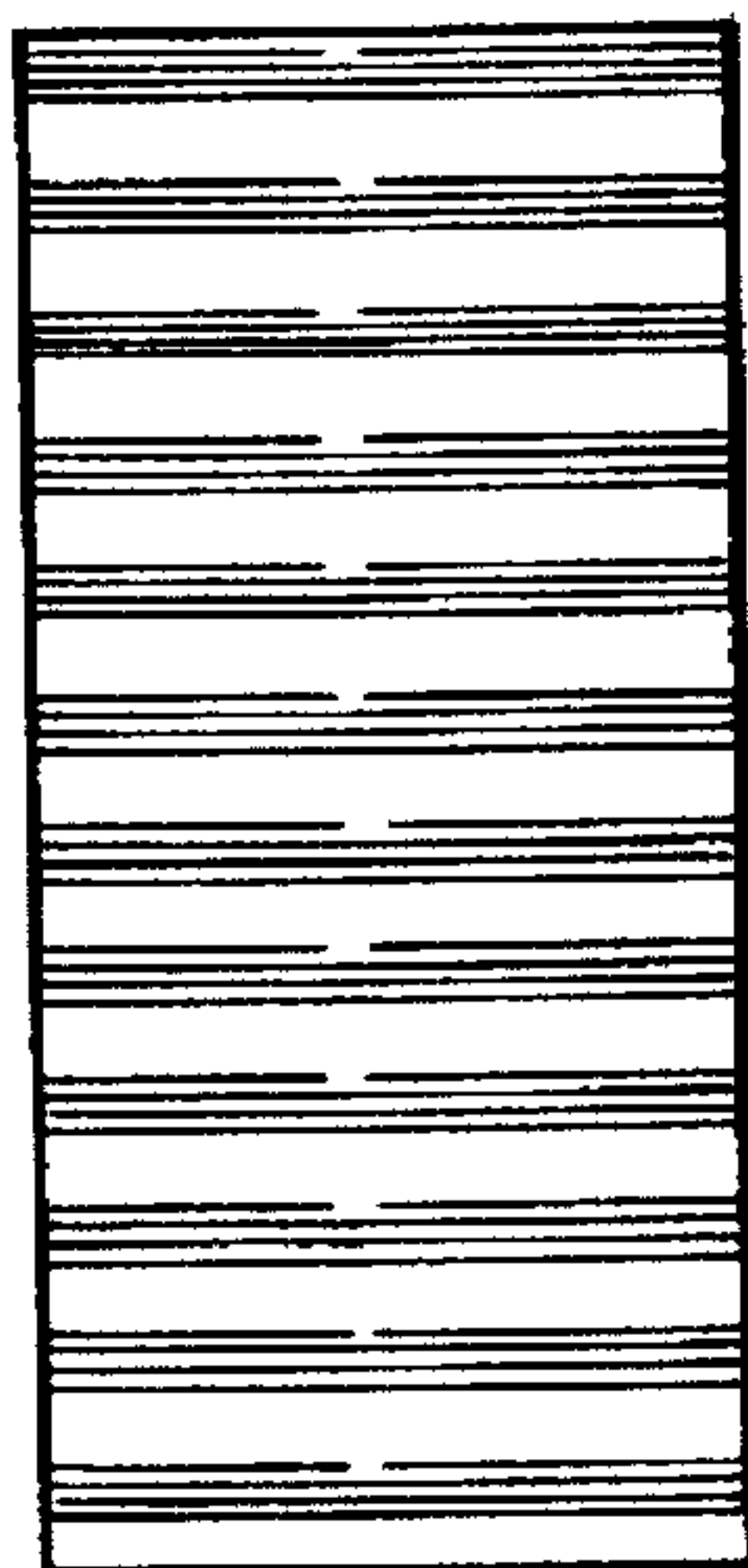


FIG. 6

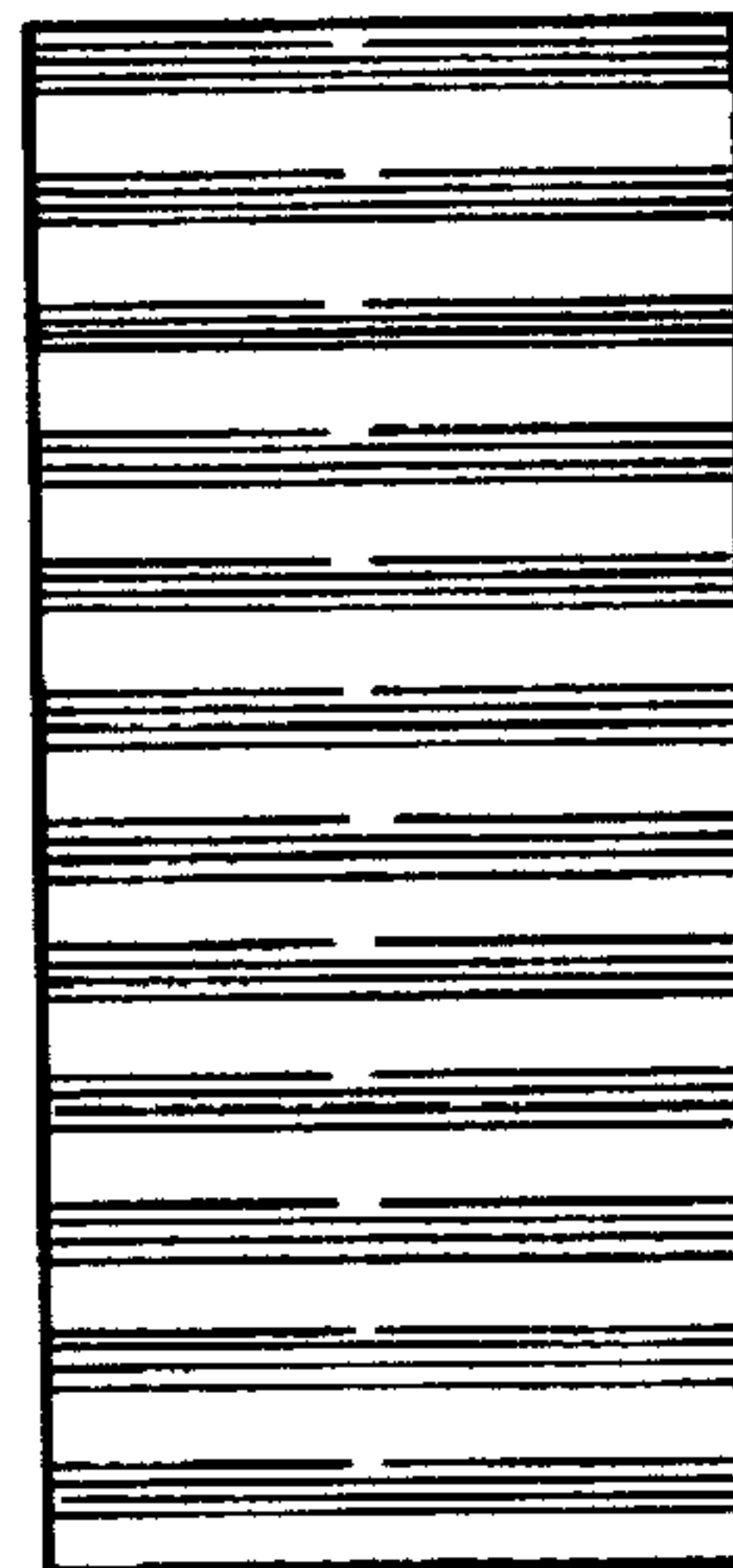
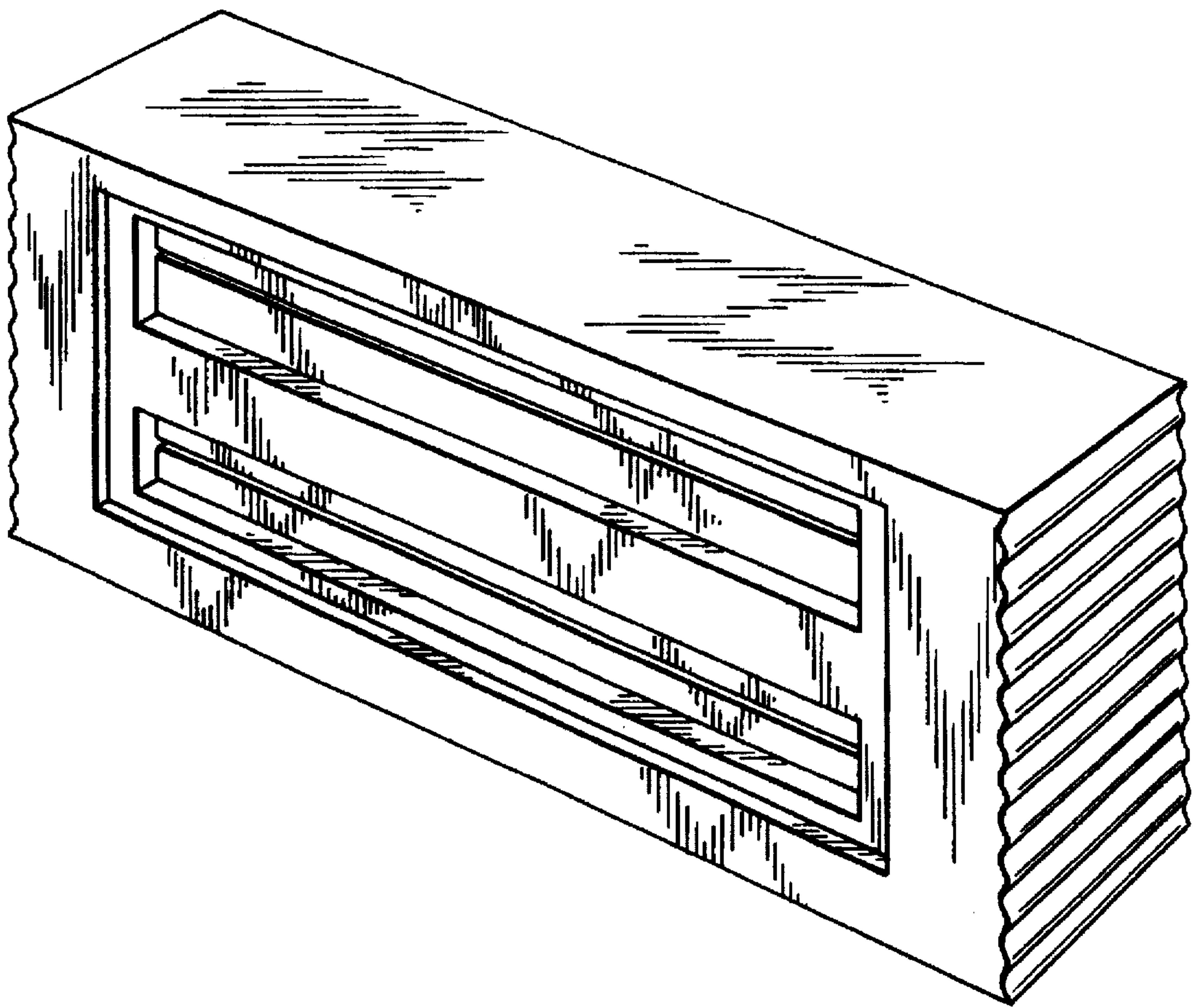


FIG. 7



UNITED STATES PATENT AND TRADEMARK OFFICE
CERTIFICATE OF CORRECTION

PATENT NO. : Des. 384,369

DATED : September 30, 1997

INVENTOR(S) : HIROSHI KOMATSU

It is certified that error appears in the above-identified patent and that said Letters Patent is hereby corrected as shown below:

[57] CLAIM

"photocoper," should read --photocopier,--.

Signed and Sealed this
Twenty-fourth Day of February, 1998

Attest:



BRUCE LEHMAN

Attesting Officer

Commissioner of Patents and Trademarks