

US00D384366S

United States Patent [19]

[11] Patent Number: Des. 384,366

Millstone et al.

[45] Date of Patent: **Sep. 30, 1997

[54] COMBINATION RULER AND CALCULATOR

1007807	2/1983	United Kingdom .
1011767	9/1983	United Kingdom .
1013163	2/1984	United Kingdom .
1013164	2/1984	United Kingdom .
1013165	2/1984	United Kingdom .
1013166	5/1984	United Kingdom .

[75] Inventors: **Jana Millstone**, Kingston, N.Y.; **Keith H. Wood**, Doylestown, Pa.

[73] Assignee: **Myron Manufacturing Corporation**, Maywood, N.J.

[**] Term: 14 Years

Primary Examiner—Caron D. Veynar

Attorney, Agent, or Firm—Sterne, Kessler, Goldstein & Fox

[21] Appl. No.: 58,139

[57] CLAIM

[22] Filed: Aug. 8, 1996

The ornamental design for a combination ruler and calculator, as shown and described.

[51] LOC (6) Cl. 18-01

[52] U.S. Cl. D18/2; D10/71

[58] Field of Search D18/2, 6, 7; D10/2, D10/15, 71; 368/10; 364/706-710; 33/403, 429

DESCRIPTION

[56] References Cited

FIG. 1 is a perspective view of a combination ruler and calculator showing our new design;
 FIG. 2 is a top plan view thereof;
 FIG. 3 is a bottom plan view thereof;
 FIG. 4 is a front elevational view thereof;
 FIG. 5 is a rear elevational view thereof;
 FIG. 6 is a left side elevational view thereof; and,
 FIG. 7 is a right side elevational view thereof.
 The broken line showing of written indicia is for illustrative purposes only and forms no part of the claimed design.

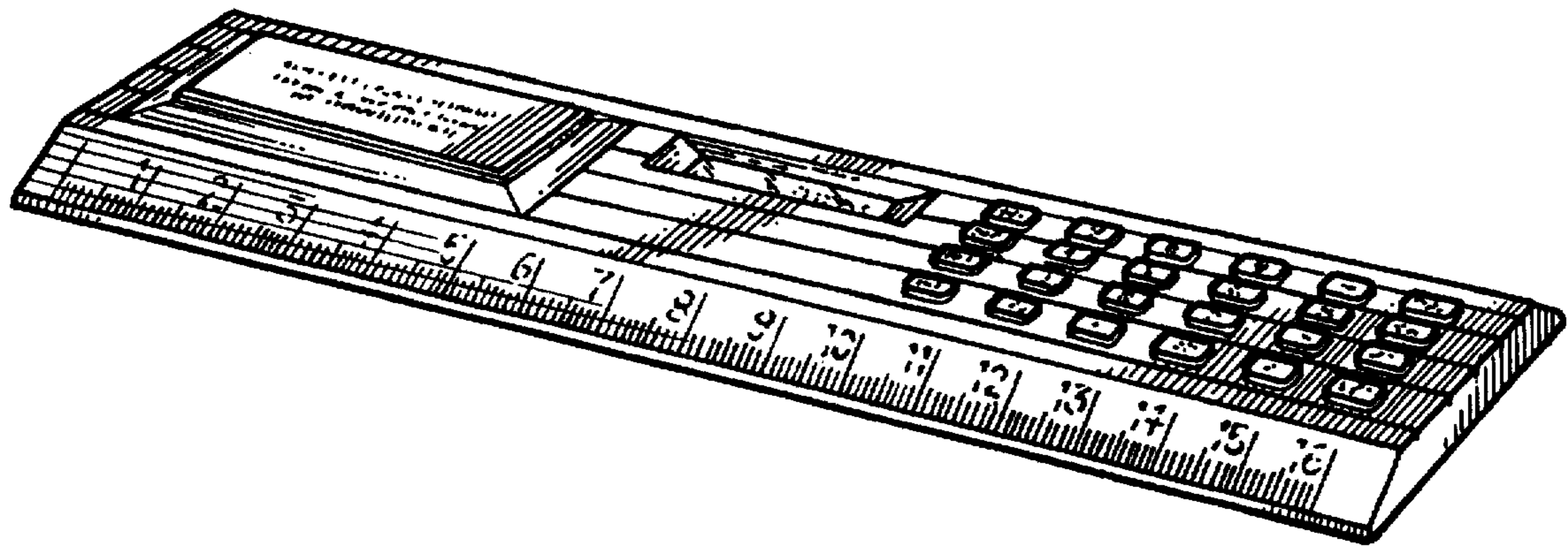
U.S. PATENT DOCUMENTS

D. 271,025	10/1983	Li	D18/2
D. 279,381	6/1985	Leung	D18/2
D. 283,515	4/1986	Li	D18/2
D. 286,161	10/1986	Wong	D18/2
D. 289,414	4/1987	Peters et al.	D18/7

FOREIGN PATENT DOCUMENTS

MR 20 573 11/1983 Germany .

1 Claim, 3 Drawing Sheets



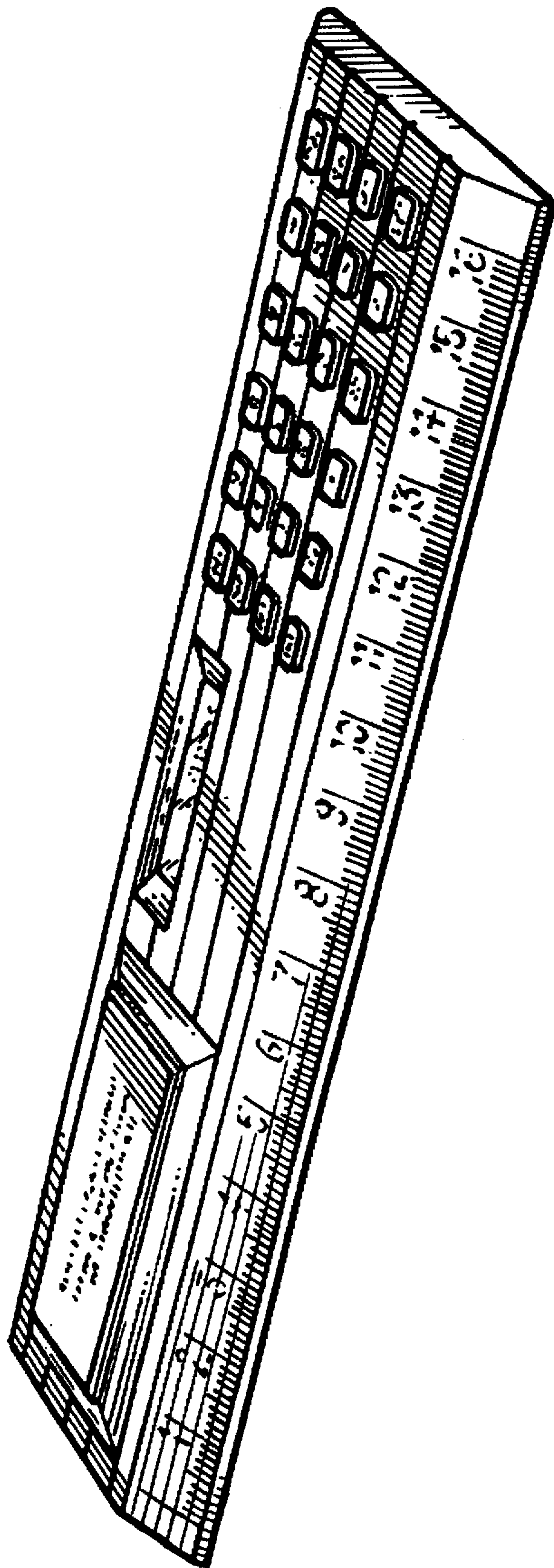


FIG. 1

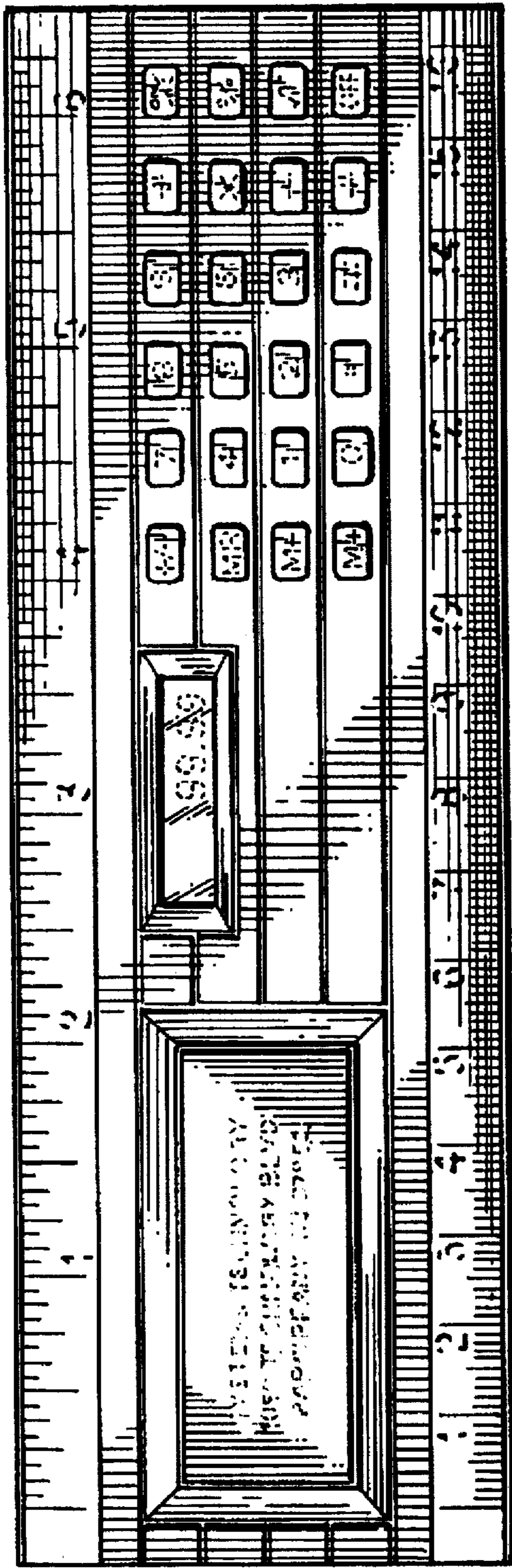


FIG. 2



FIG. 4



FIG. 5

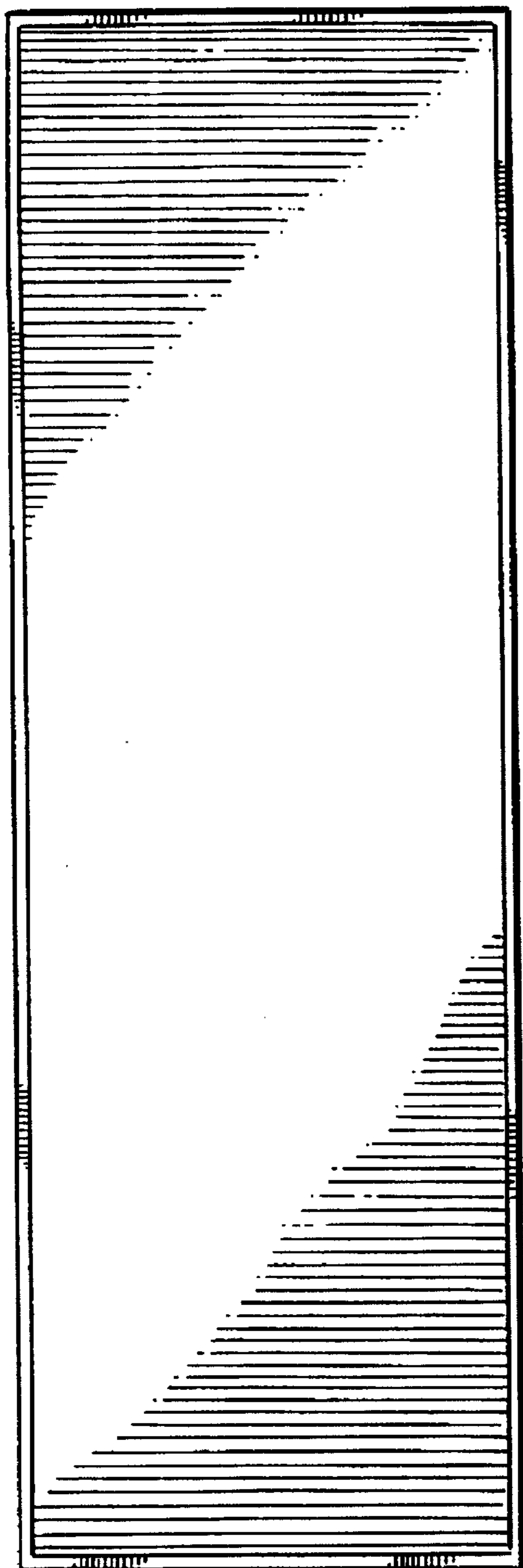


FIG. 3



FIG. 7



FIG. 6