

US00D384361S

United States Patent [19]

Karasawa et al.

[11] Patent Number: **Des. 384,361**

[45] Date of Patent: ****Sep. 30, 1997**

[54] **EYEWEAR FRAME**

[75] Inventors: **Naoki Karasawa; Toshio Totsuka; Takuro Tsukatani**, all of Ann Arbor, Mich.

[73] Assignee: **Ozmix, Inc.**, Ann Arbor, Mich.

[**] Term: **14 Years**

[21] Appl. No.: **54,368**

[22] Filed: **May 13, 1996**

[51] LOC (6) Cl. **16-06**

[52] U.S. Cl. **D16/302; D16/304; D16/329; D16/330**

[58] Field of Search **D16/300, 302, D16/303, 304, 306, 309, 317, 323, 327-330; 351/41, 44, 51, 52, 56, 65, 158**

[56] **References Cited**

U.S. PATENT DOCUMENTS

D. 73,142 7/1927 Nemy D16/317

D. 106,147	9/1937	Pomperanz	D16/302
D. 173,637	12/1954	Brown	D16/302
D. 204,698	5/1966	Glass et al.	D16/317
D. 221,593	8/1971	Shindler	D16/317
D. 351,175	10/1994	Celetano	D16/317

Primary Examiner—Raphael Barkai
Attorney, Agent, or Firm—Young & Basile, P.C.

[57] **CLAIM**

The ornamental design for the eyewear frame, as shown and described.

DESCRIPTION

FIG. 1 is a perspective view of eyeglass frames showing our new design;
FIG. 2 is a top plan view thereof;
FIG. 3 is a bottom plan view thereof;
FIG. 4 is a front elevational view thereof;
FIG. 5 is a rear elevational view thereof;
FIG. 6 is a right-side elevational view thereof; and,
FIG. 7 is a left-side elevational view thereof.

1 Claim, 2 Drawing Sheets

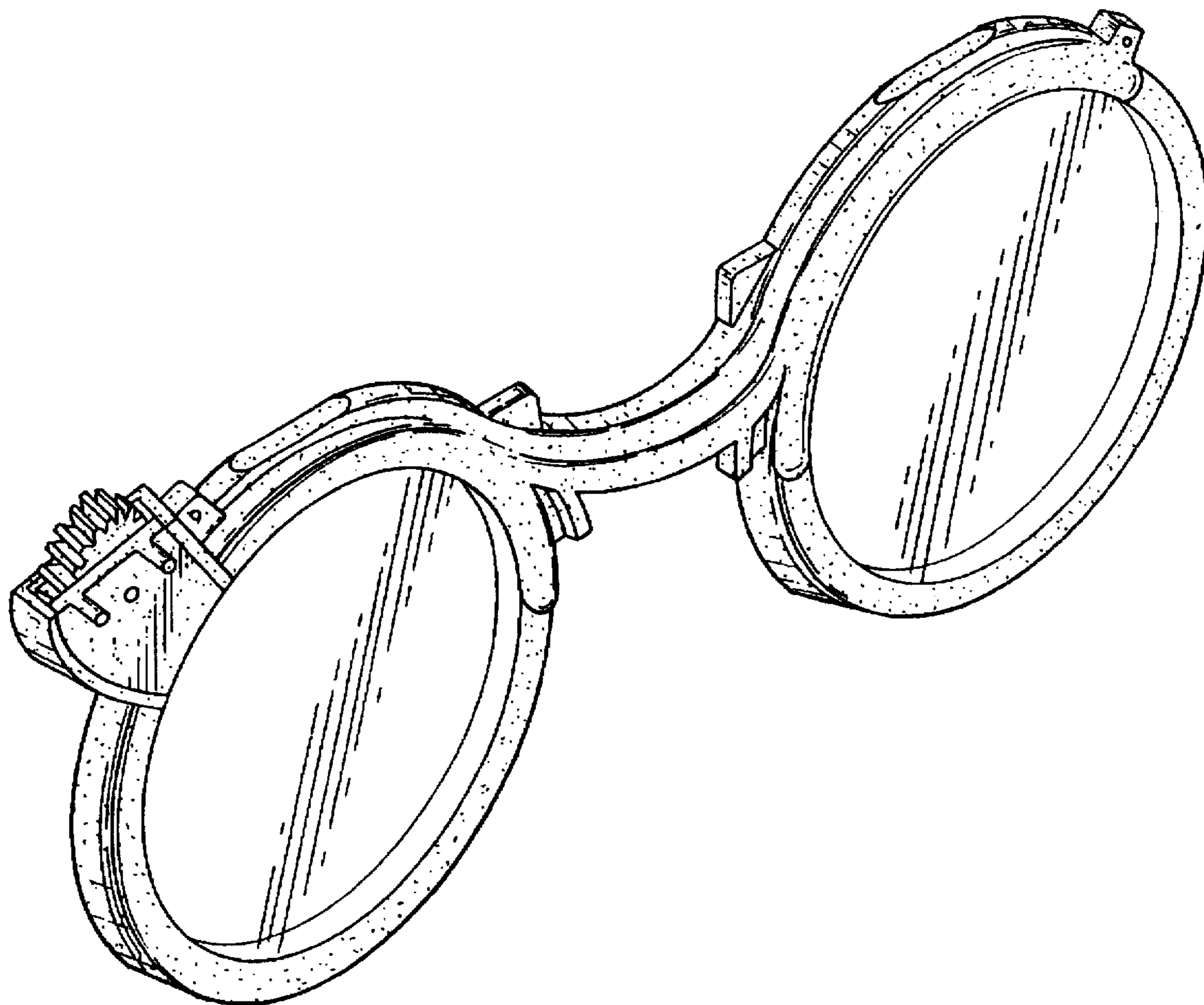


FIG-1

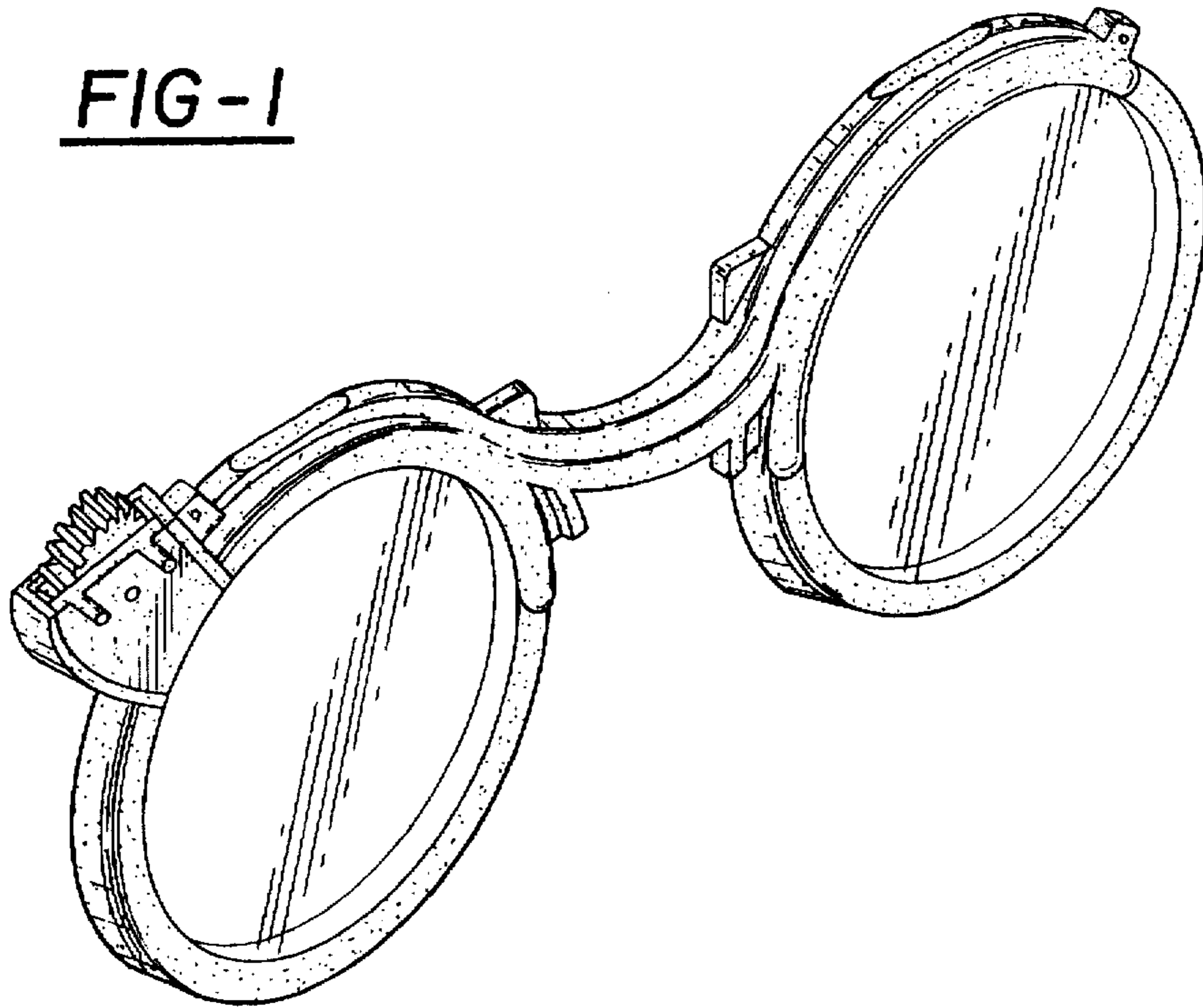


FIG-2



FIG-3

FIG - 4

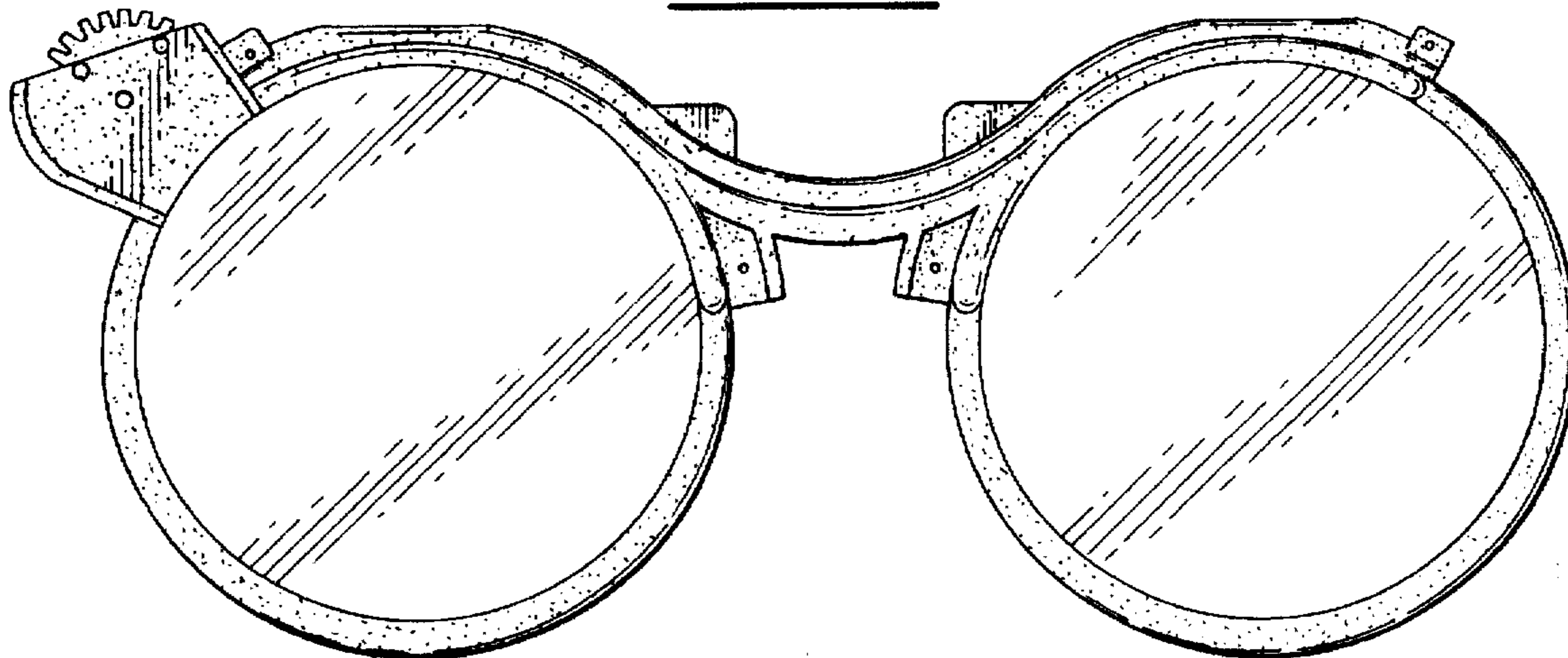


FIG - 5

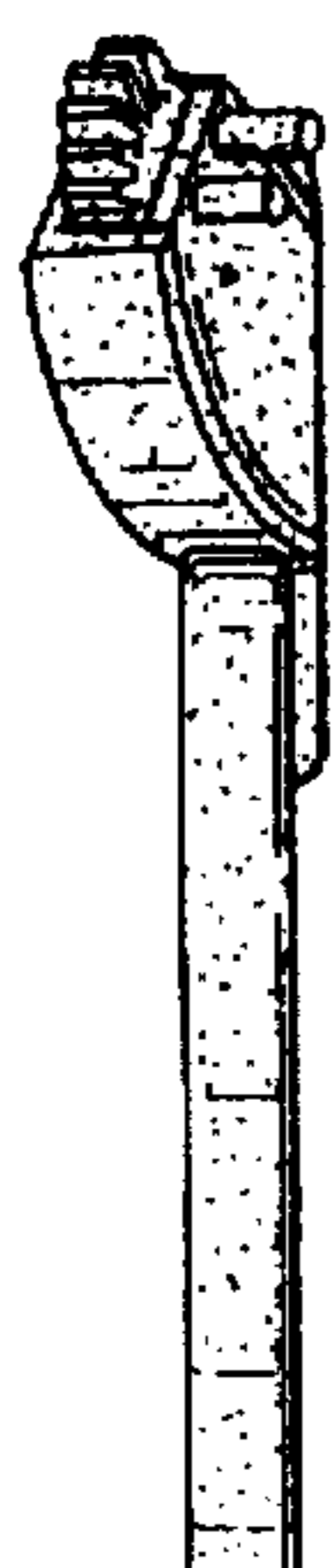
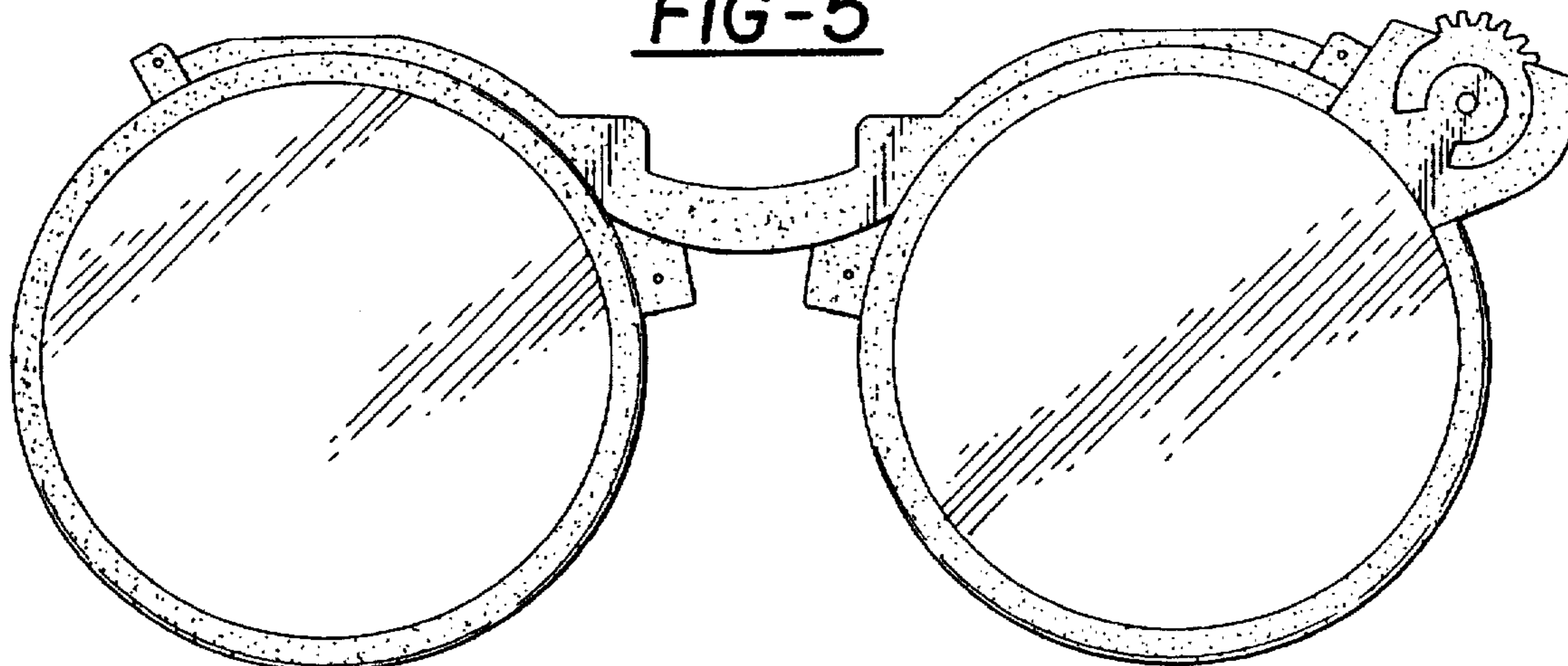


FIG - 6

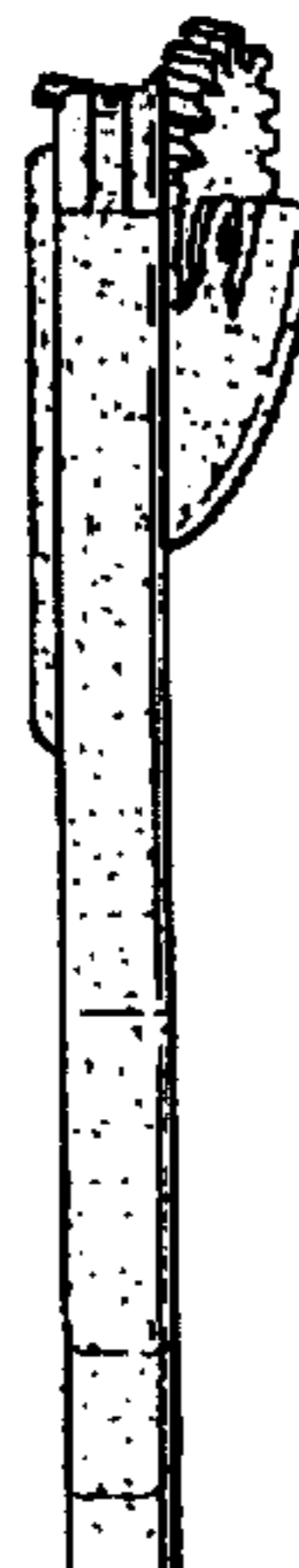


FIG - 7