



US00D384360S

United States Patent [19]

Yamauchi et al.

[11] Patent Number: Des. 384,360

[45] Date of Patent: **Sep. 30, 1997

[54] VIDEO CAMERA

[75] Inventors: **Toshiyuki Yamauchi; Yoshiki Miyamoto**, both of Tokyo, Japan

[73] Assignee: **Sony Corporation**, Tokyo, Japan

[**] Term: **14 Years**

[21] Appl. No.: **47,486**

[22] Filed: **Dec. 5, 1995**

[51] LOC (6) Cl. **16-01**

[52] U.S. Cl. **D16/202**

[58] Field of Search **D16/200-206; 348/11-20; 354/64, 82; 358/906; 379/53**

[56] References Cited

U.S. PATENT DOCUMENTS

D. 310,231	8/1990	Imada et al.	D16/202
D. 357,929	5/1995	Pierce	D16/202
3,017,817	1/1962	Sampson	354/64
3,860,937	1/1975	Wolfe	354/64
5,287,133	2/1994	Bohley	354/64

OTHER PUBLICATIONS

Harris Corp. Catalog, 1990 Cover page.
Skin Diver, Jun. 1988 p. 50 (Agua Video samera).

Primary Examiner—Prabhakar G. Deshmukh
Assistant Examiner—Adir Aronovich
Attorney, Agent, or Firm—Foley & Lardner

[57] CLAIM

The ornamental design for a video camera, as shown and described.

DESCRIPTION

FIG. 1 is a perspective view of a video camera showing my new design;
FIG. 2 is a perspective view thereof in the using condition;
FIG. 3 is a top plan view thereof;
FIG. 4 is a left side elevational view thereof;
FIG. 5 is a front elevational view thereof;
FIG. 6 is a bottom plan view thereof;
FIG. 7 is a right side elevational view thereof; and,
FIG. 8 is a rear elevational view thereof.

1 Claim, 3 Drawing Sheets

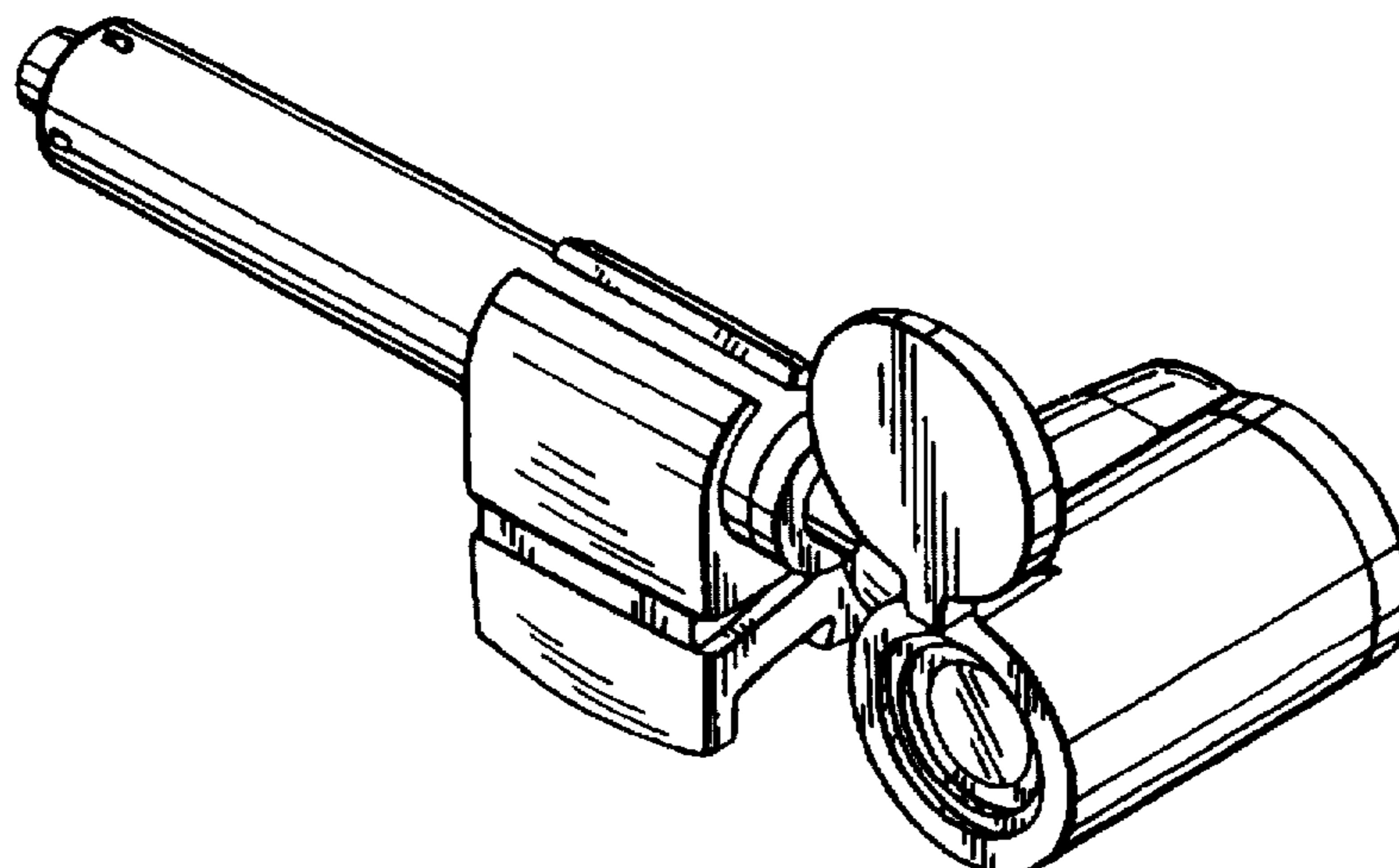
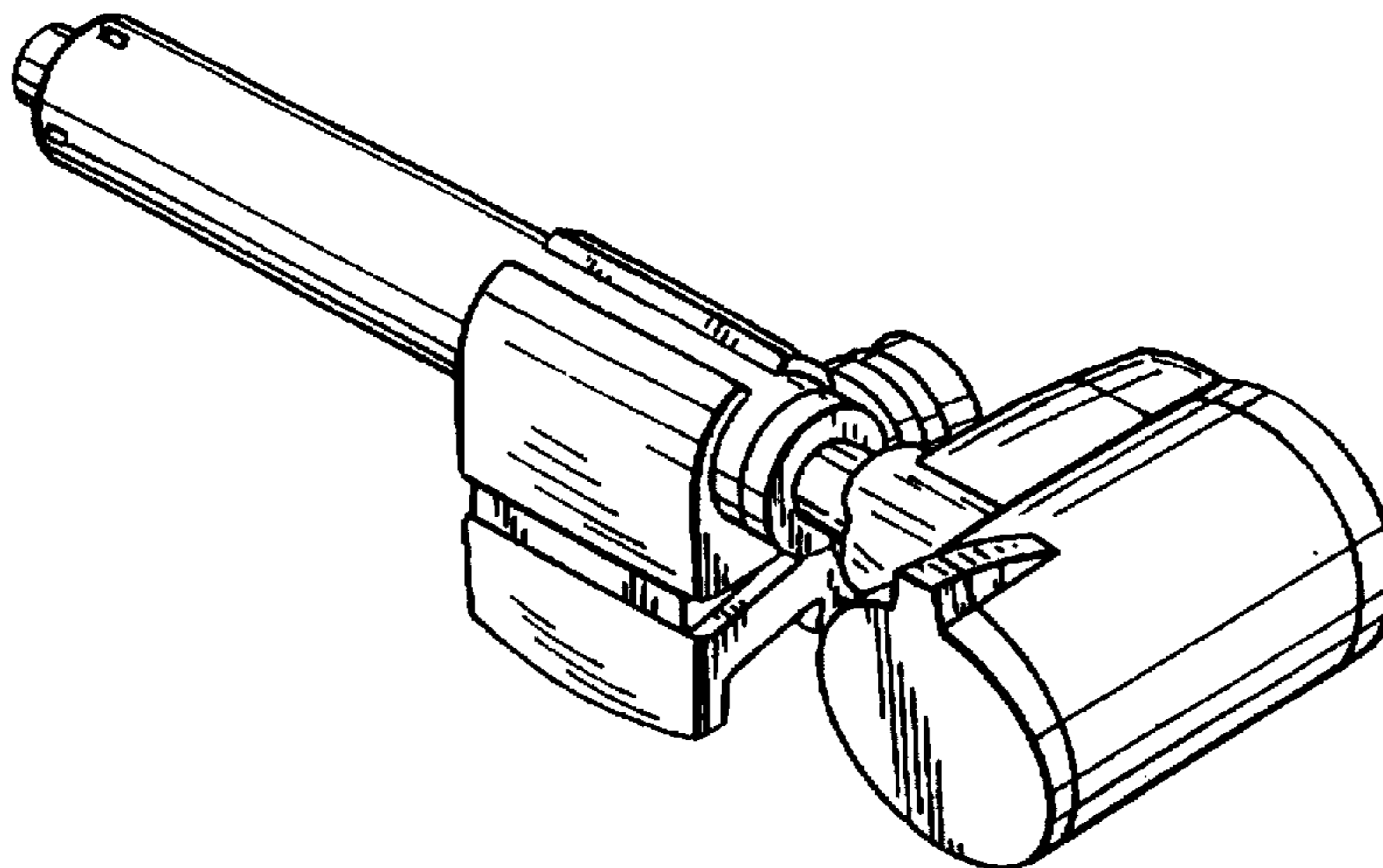


FIG. 1

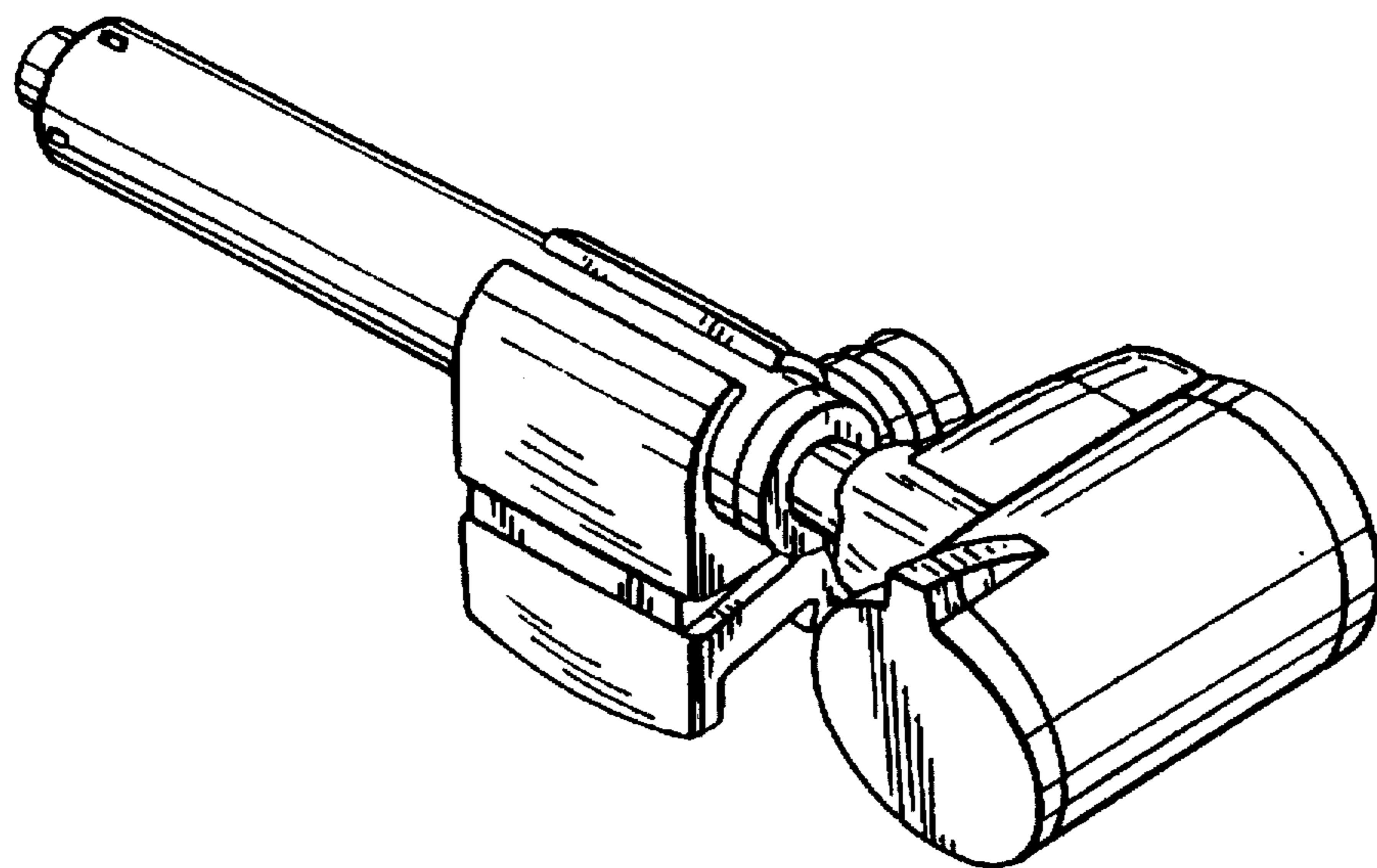


FIG. 2

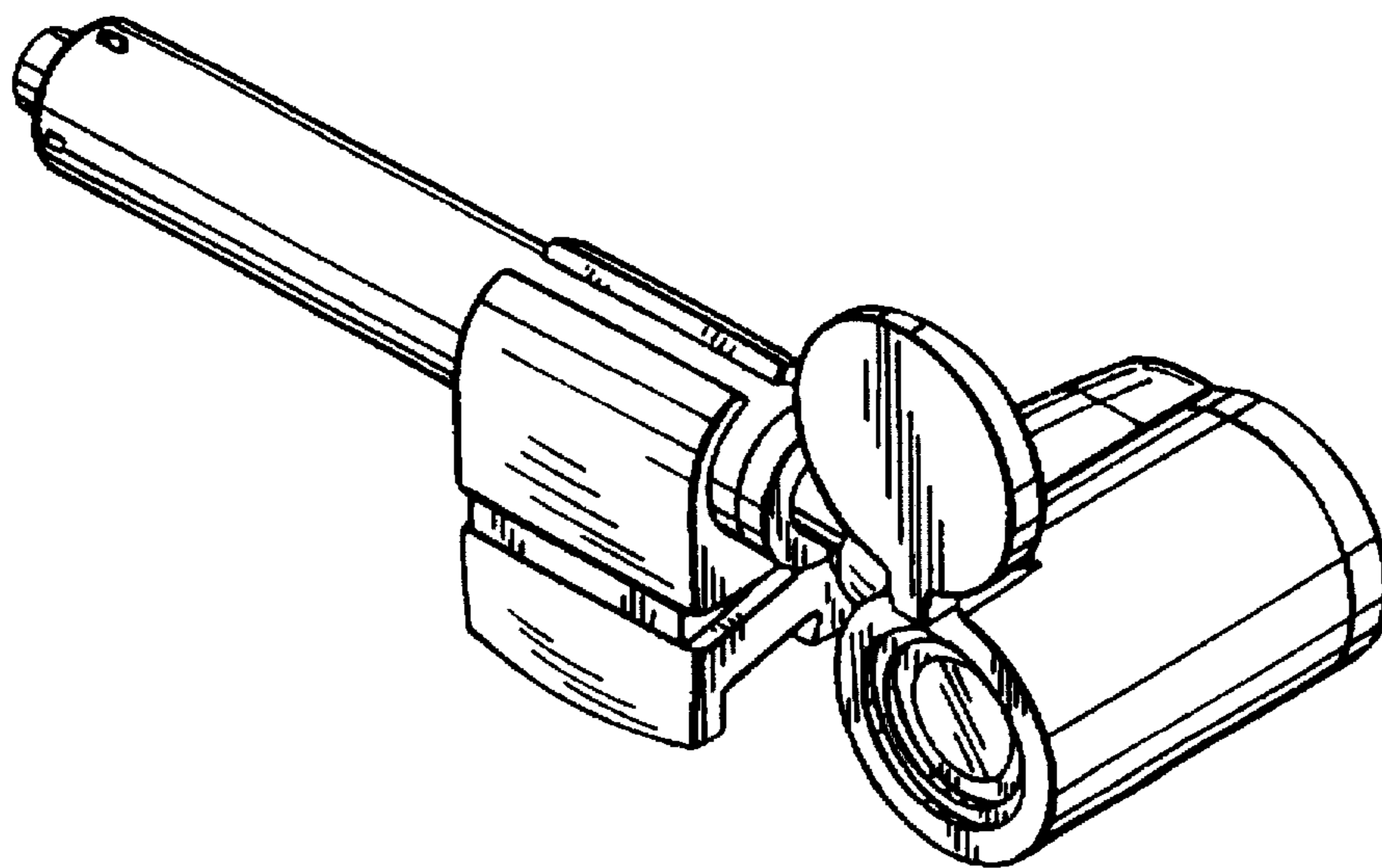


FIG. 3

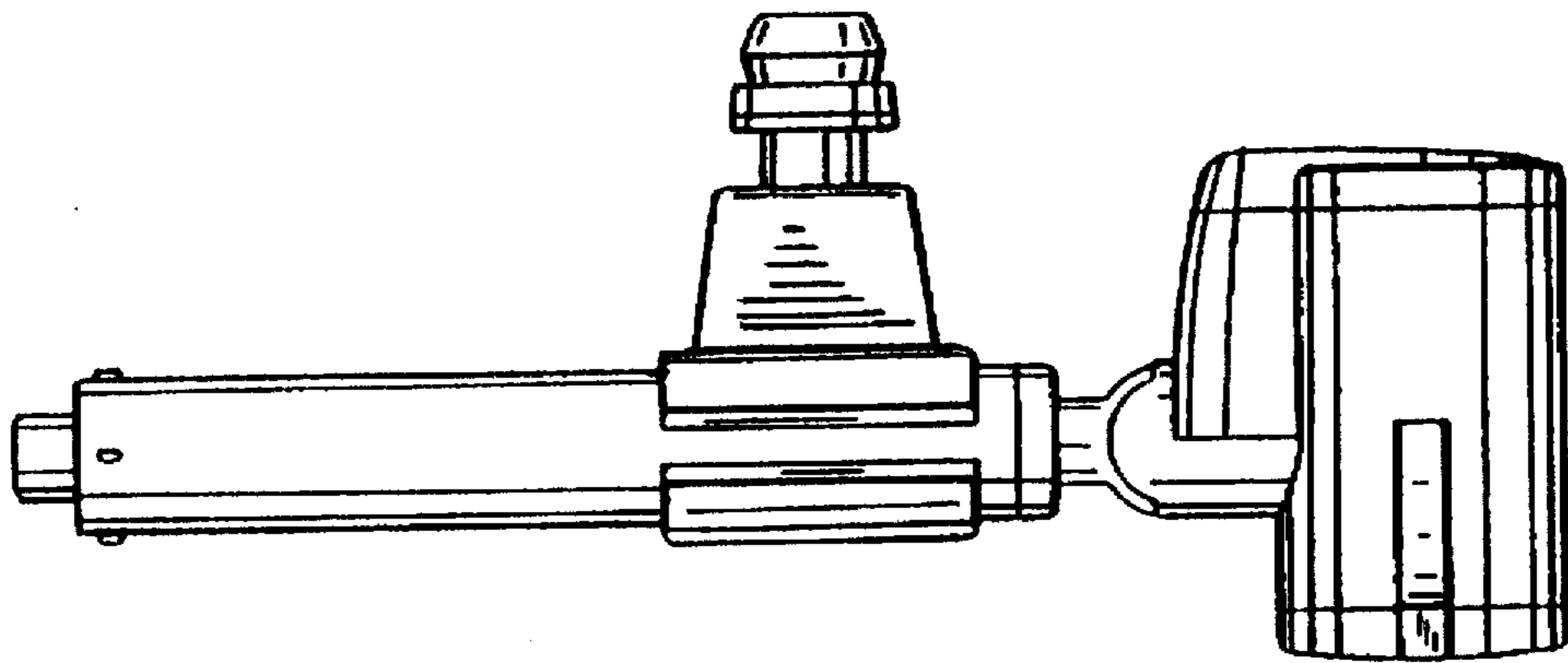


FIG. 5

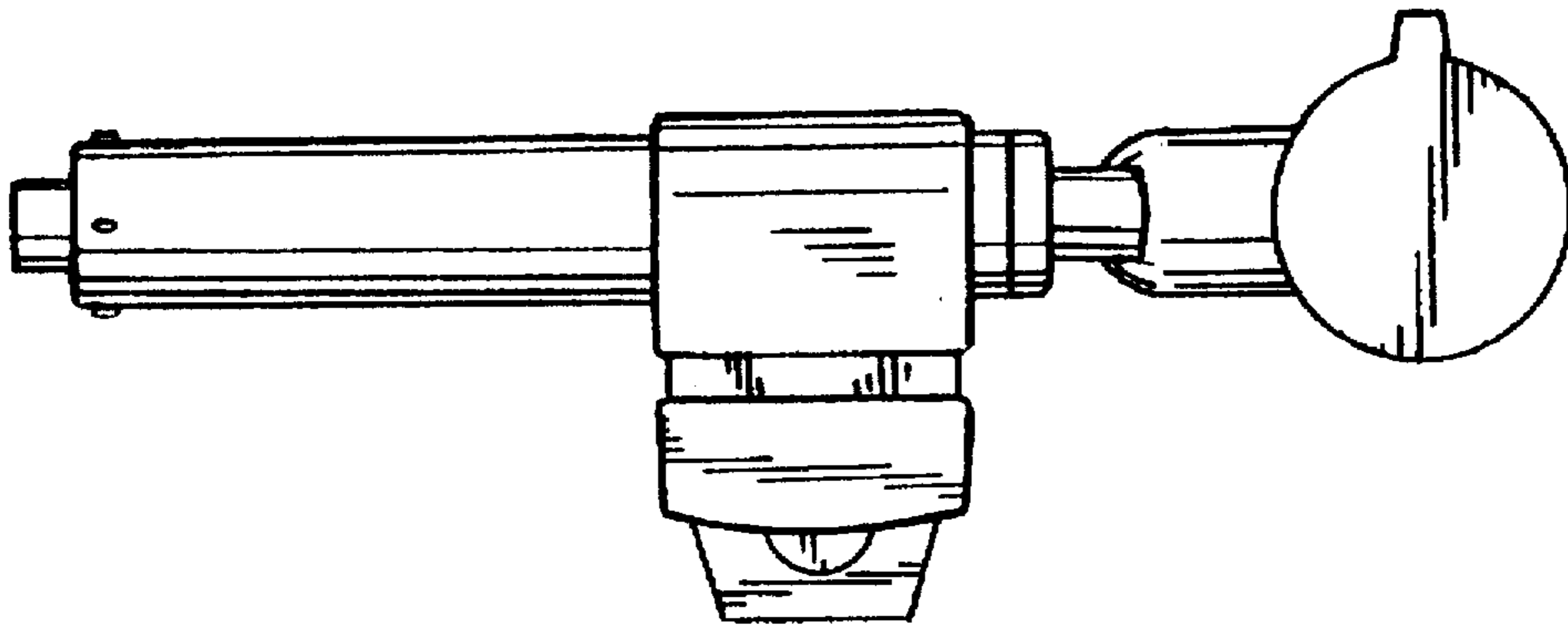


FIG. 6

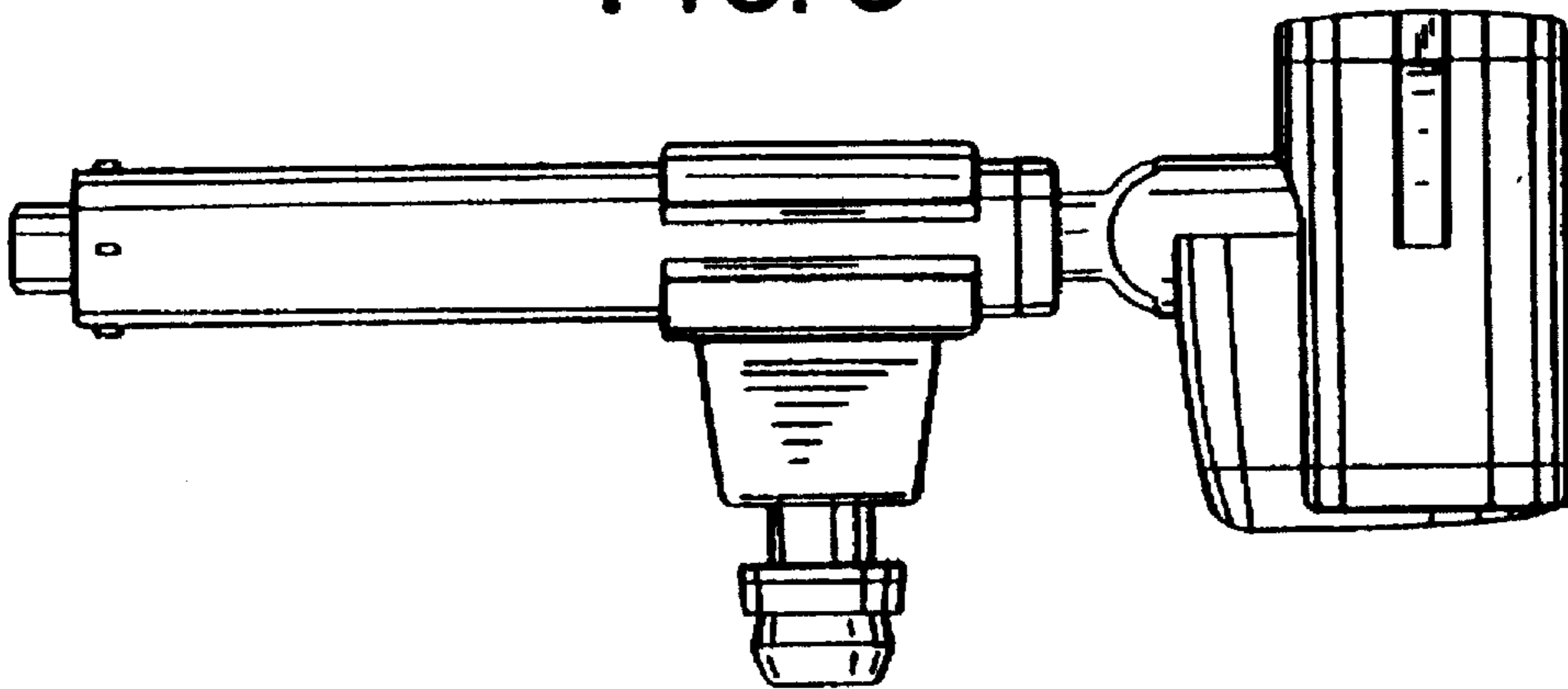


FIG. 4

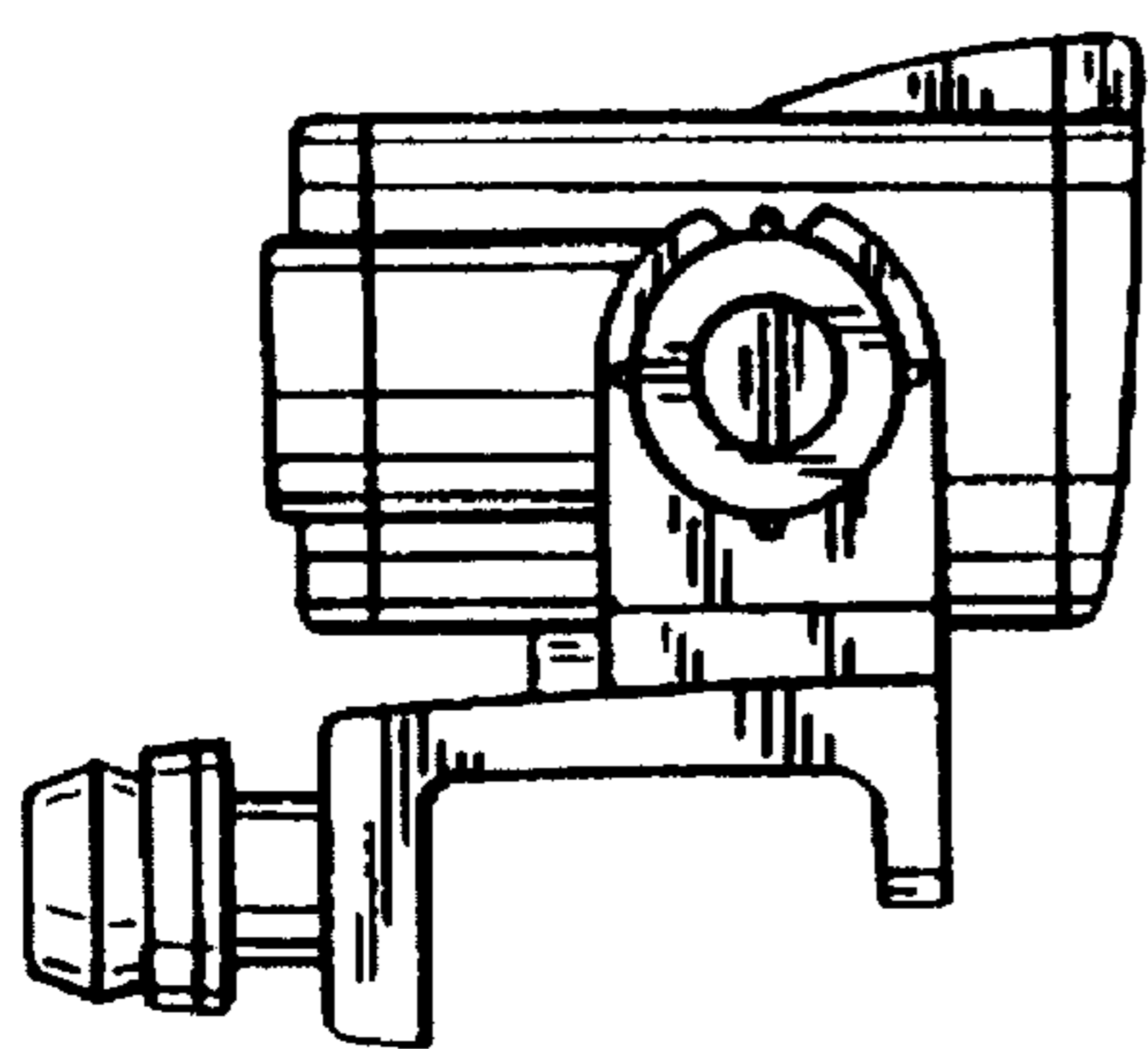


FIG. 7

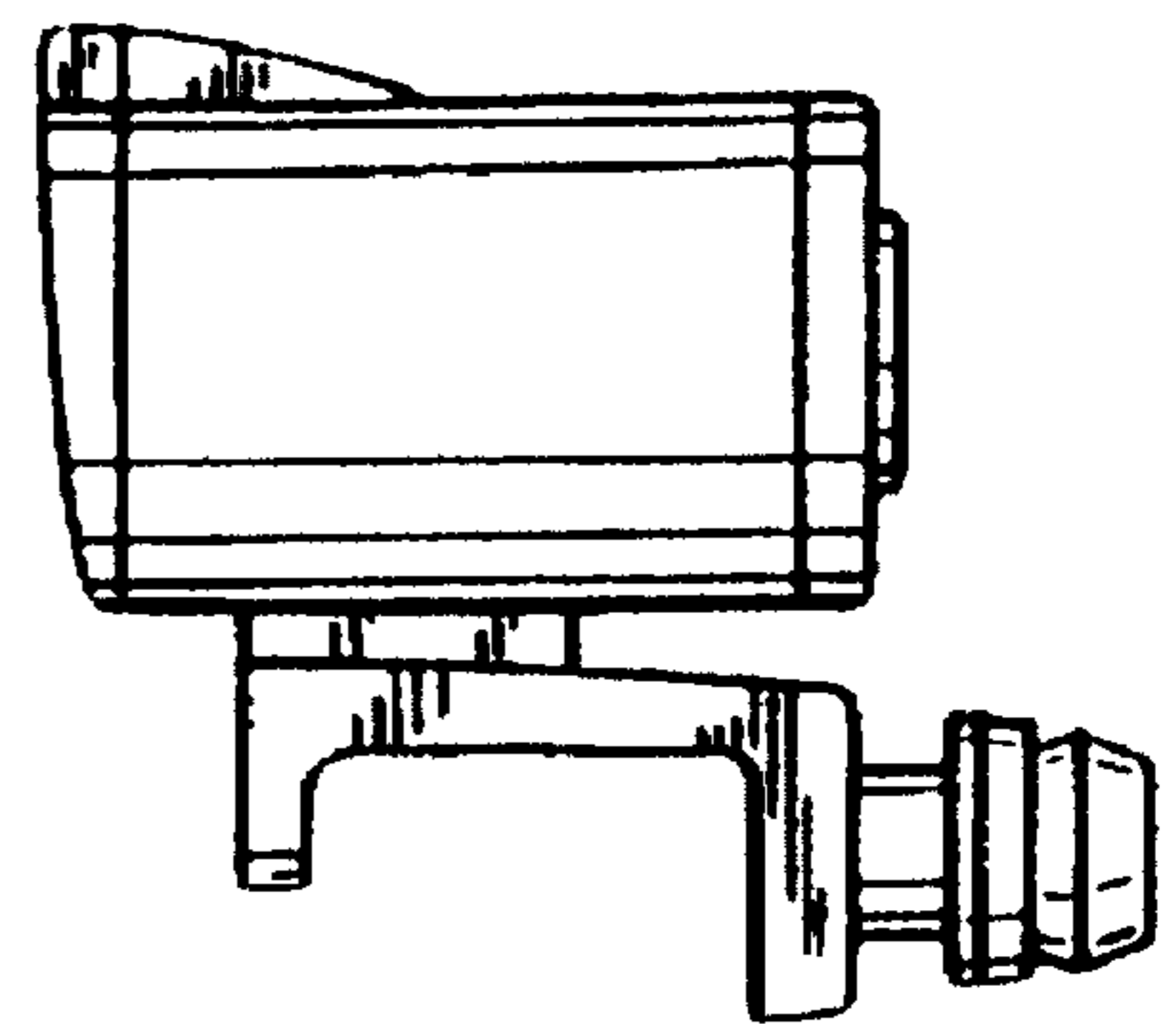


FIG. 8

