

US00D384358S

United States Patent [19]
Smith

[11] **Patent Number:** **Des. 384,358**
[45] **Date of Patent:** ****Sep. 30, 1997**

[54] **TRACTOR CAB**

[75] **Inventor:** **Derek John Smith**, Sutton Coldfield,
United Kingdom

[73] **Assignee:** **Massey Ferguson S.A.**, Beauvais,
France

[**] **Term:** **14 Years**

[21] **Appl. No.:** **40,961**

[22] **Filed:** **Jun. 30, 1995**

[30] **Foreign Application Priority Data**

Dec. 31, 1994 [GB] United Kingdom 2044184

[51] **LOC (6) CL** **15-03**

[52] **U.S. Cl.** **D15/30**

[58] **Field of Search** D15/10, 22-26,
D15/28, 30, 31; 180/89.12, 89.13, 89.19,
900; 296/190, 202

[56] **References Cited**

U.S. PATENT DOCUMENTS

D. 245,697	9/1977	Skyer et al.	D15/30
D. 258,823	4/1981	Skyer et al.	D15/30
D. 321,517	11/1991	Katoh et al.	D15/30
4,650,242	3/1987	Obe et al.	296/190
5,413,188	5/1995	Ui	296/190

OTHER PUBLICATIONS

- Massey Ferguson 300 Series catalog, 1993.
- Massey Ferguson 3000/3100 Series catalog, 1993.
- Massey Ferguson 3600 Series catalog, 1993.
- Massey Ferguson 1210/1220/1230 Compact Tractors catalog, 1993.
- Massey Ferguson 1250/1260 Compact Tractors catalog, 1993.
- Massey Ferguson Lawn Tractor Range catalog, 1990.
- Massey Ferguson Grass Equipment catalog (undated).

Primary Examiner—Sandra L. Morris
Attorney, Agent, or Firm—MacMillan, Sobanski & Todd

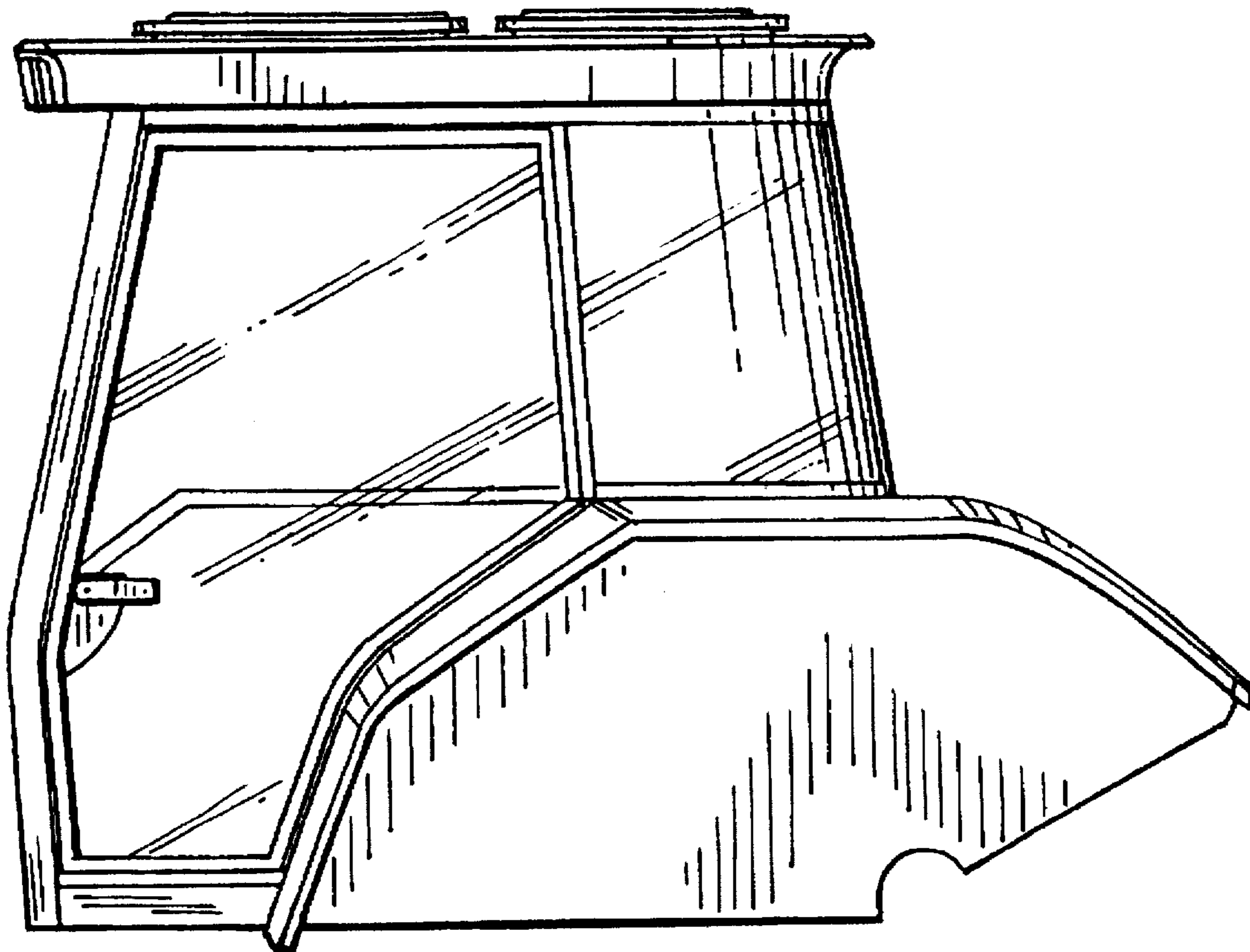
[57] **CLAIM**

The ornamental design for a tractor cab, as shown.

DESCRIPTION

FIG. 1 is a front elevational view of a tractor cab embodying my design;
 FIG. 2 is a rear elevational view thereof;
 FIG. 3 is a right side elevational view thereof;
 FIG. 4 is a left side elevational view thereof;
 FIG. 5 is a top plan view thereof; and,
 FIG. 6 is a bottom plan view thereof.

1 Claim, 3 Drawing Sheets



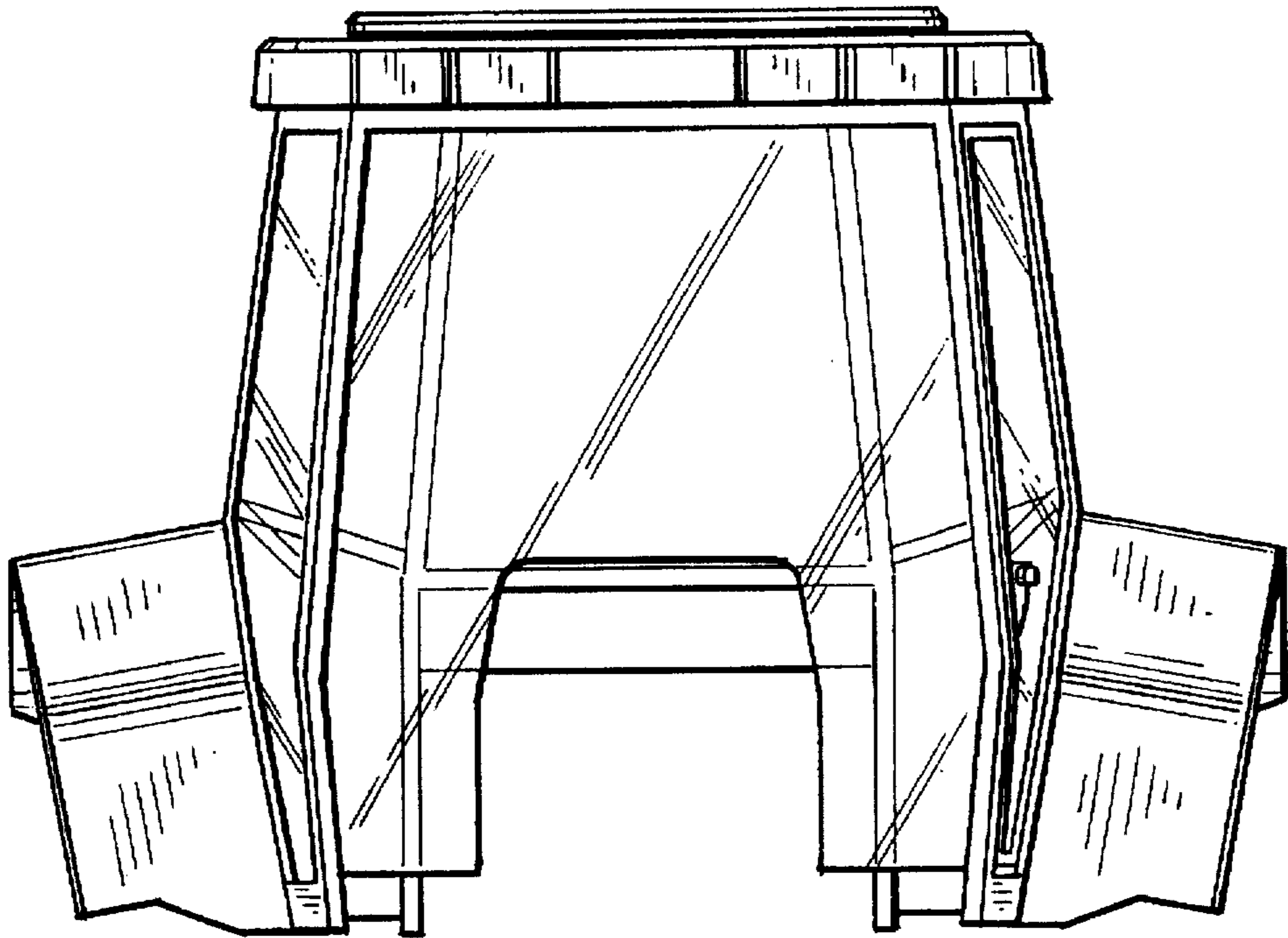


FIG. 1

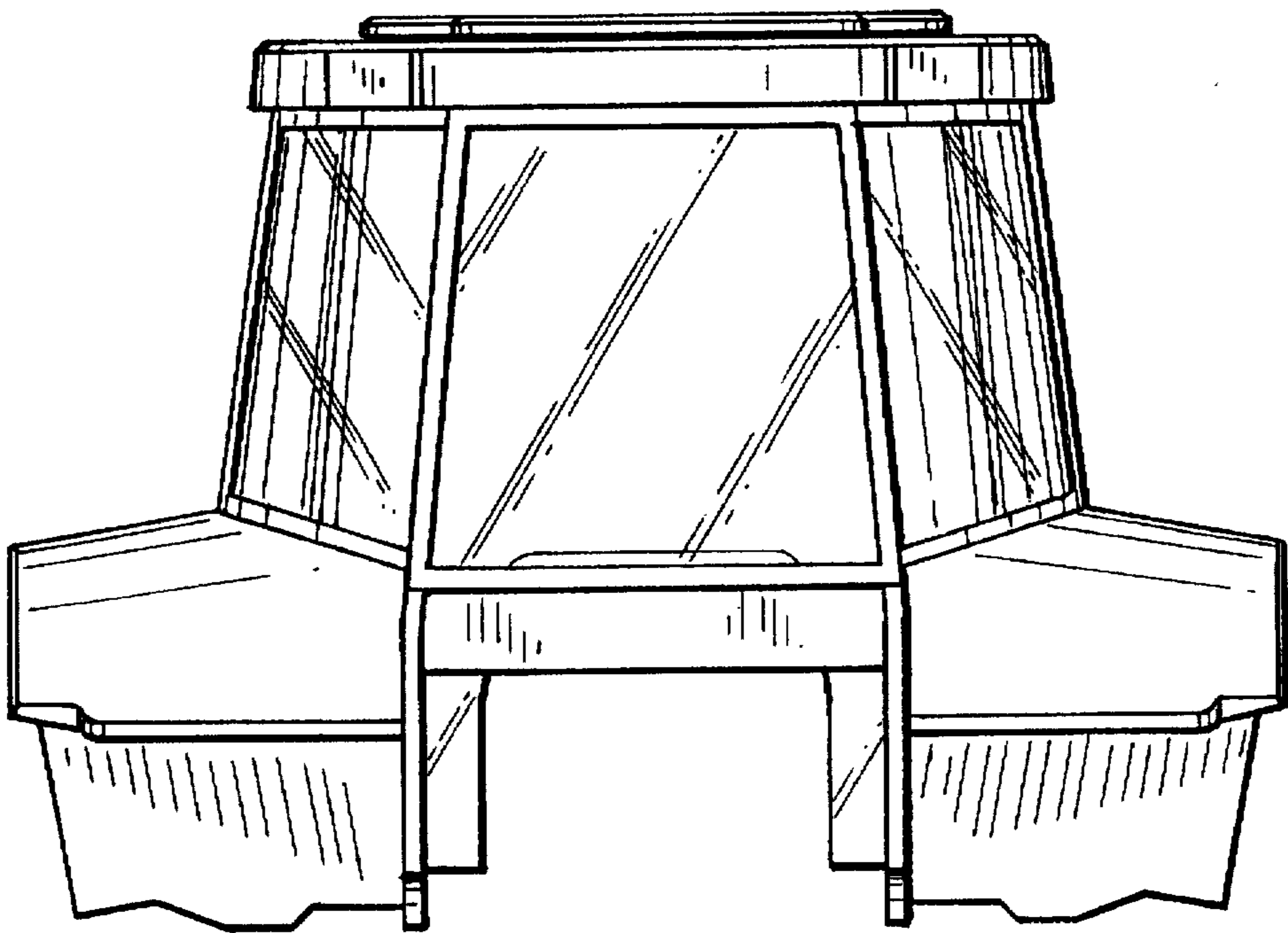


FIG. 2

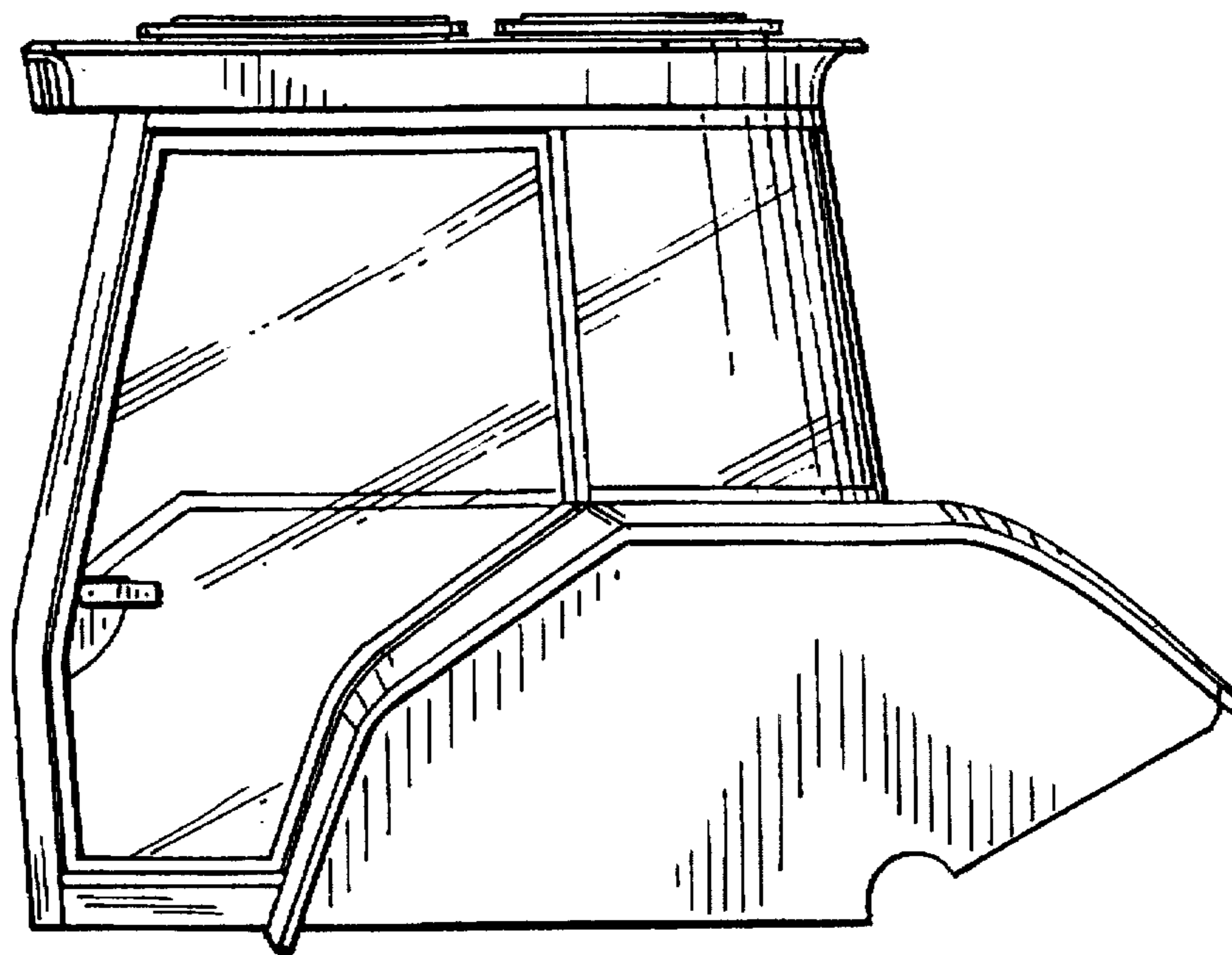


FIG. 3

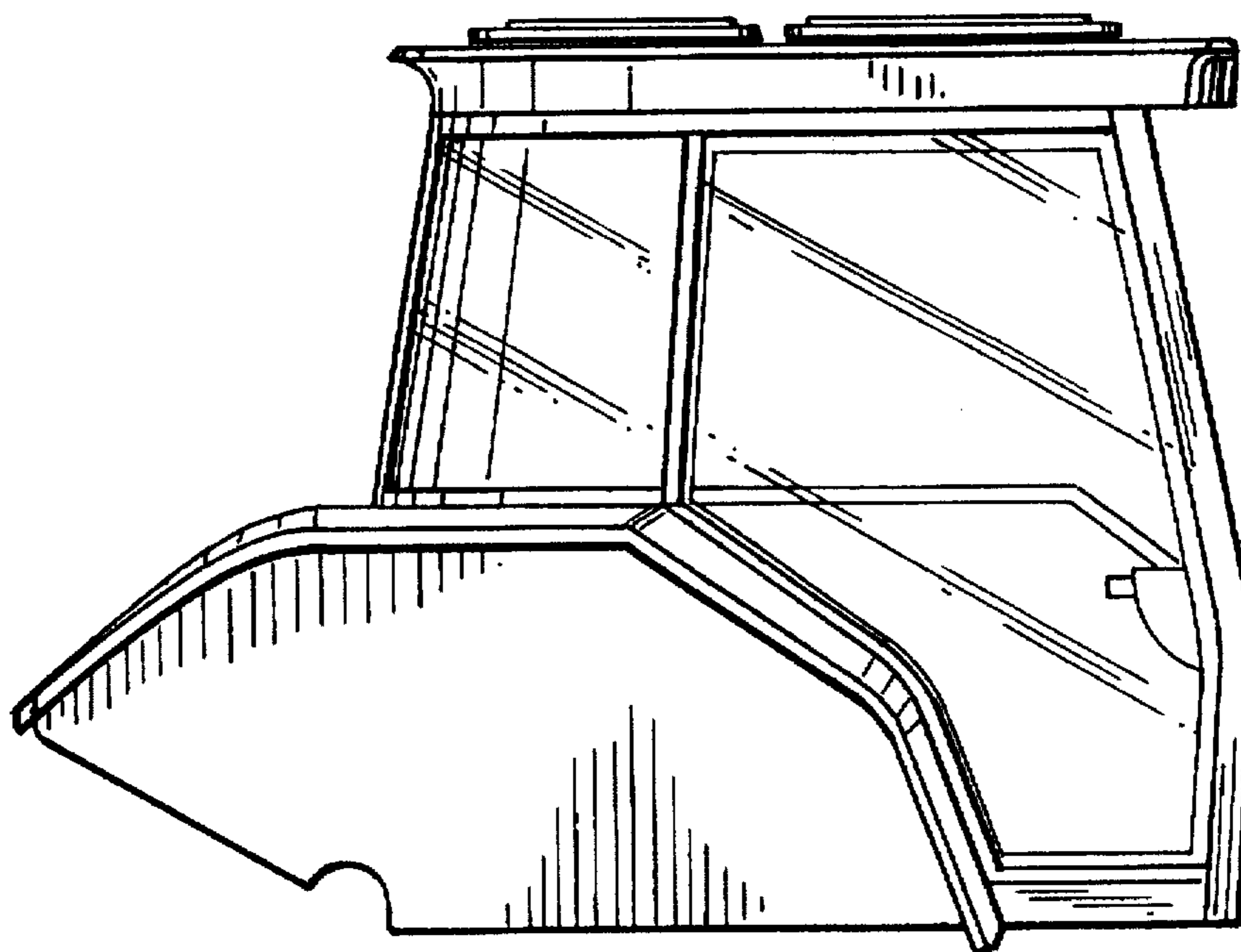


FIG. 4

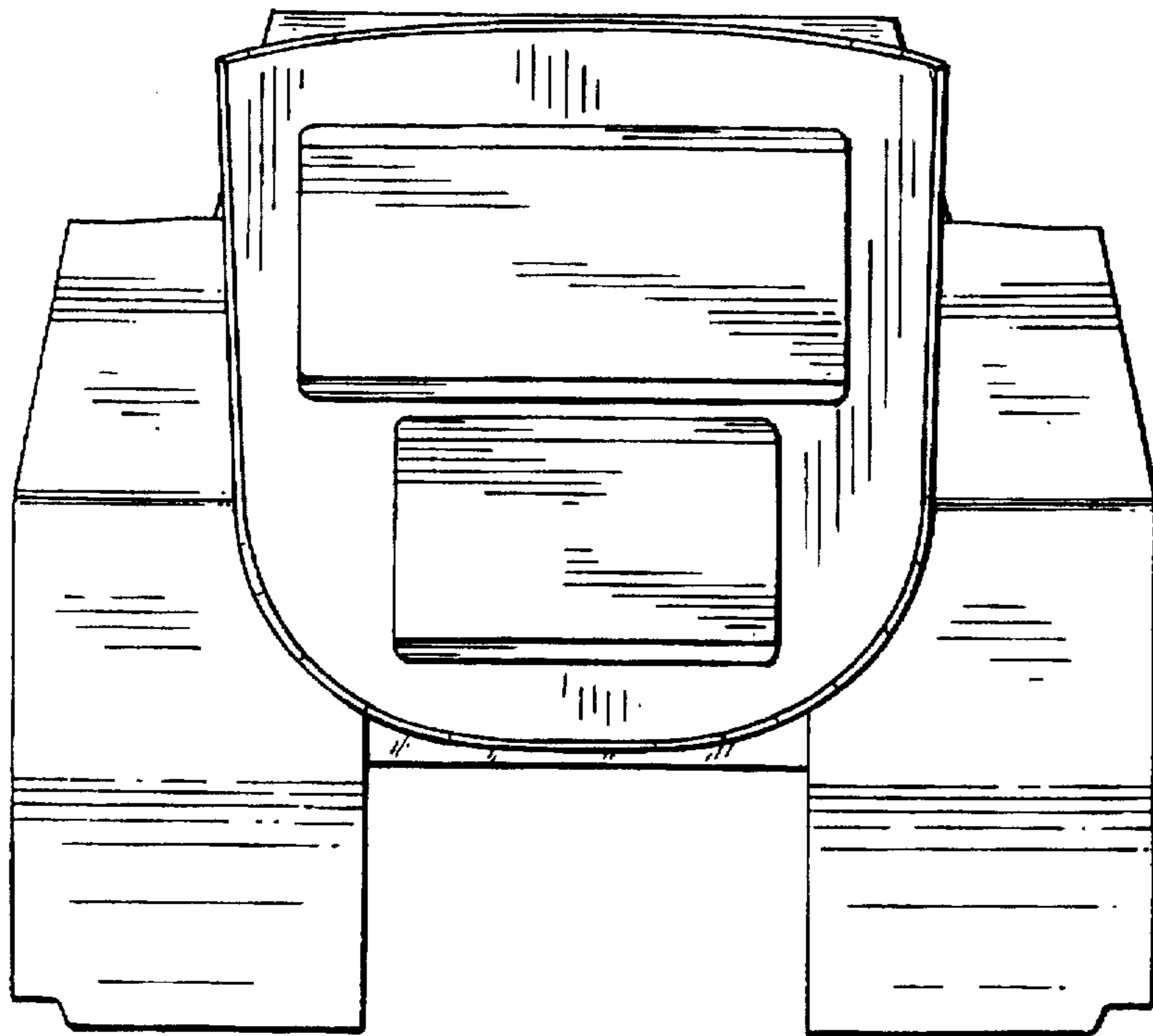


FIG. 5

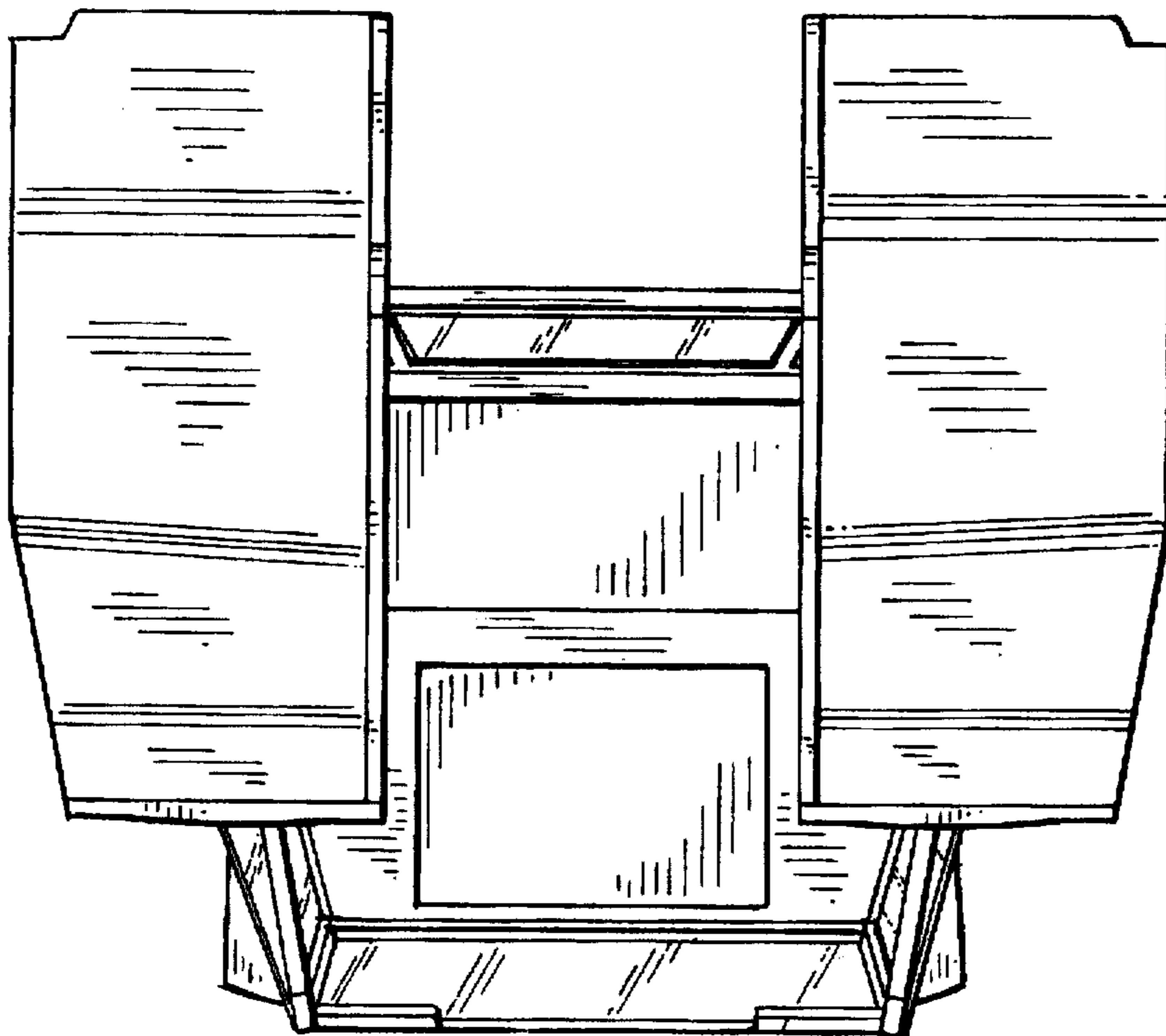


FIG. 6