

US00D384357S

United States Patent [19]

McAteer et al.

[11] Patent Number: **Des. 384,357**

[45] Date of Patent: ****Sep. 30, 1997**

[54] **DIRECTIONAL MICROPHONE**

[75] Inventors: **Jeffrey Phillip McAteer**, Fishers;
William Joseph McLaughlin,
Indianapolis, both of Ind.; **Dennis Jay Wasserman**, Austin, Tex.; **Christopher T. Welsh**, Noblesville, Ind.

[73] Assignee: **Lucent Technologies Inc.**, Murray Hill, N.J.

[**] Term: **14 Years**

[21] Appl. No.: **46,279**

[22] Filed: **Nov. 13, 1995**

[51] LOC (6) Cl. **14-01**

[52] U.S. Cl. **D14/225**

[58] Field of Search D14/206, 217,
D14/225-229, 299; 181/158, 242; 381/91,
122, 153, 168-170

[56] **References Cited**

U.S. PATENT DOCUMENTS

D. 195,963 8/1963 Spilman D14/225

D. 266,242 9/1982 Radzelovage D14/255
D. 351,840 10/1994 Hillier et al. D14/288
D. 355,915 2/1995 Chan D14/225

Primary Examiner—Sandra L. Morris
Assistant Examiner—Nanda Bondade
Attorney, Agent, or Firm—Thomas Stafford

[57] **CLAIM**

The ornamental design for a directional microphone, as shown and described.

DESCRIPTION

FIG. 1 is a front left perspective view of the directional microphone showing our new design;
FIG. 2 is a rear right perspective view thereof;
FIG. 3 is a bottom view thereof;
FIG. 4 is a top view thereof;
FIG. 5 is a rear elevation view thereof;
FIG. 6 is a front elevation view thereof;
FIG. 7 is a left side elevation view thereof; and,
FIG. 8 is a right side elevation view thereof.

1 Claim, 4 Drawing Sheets

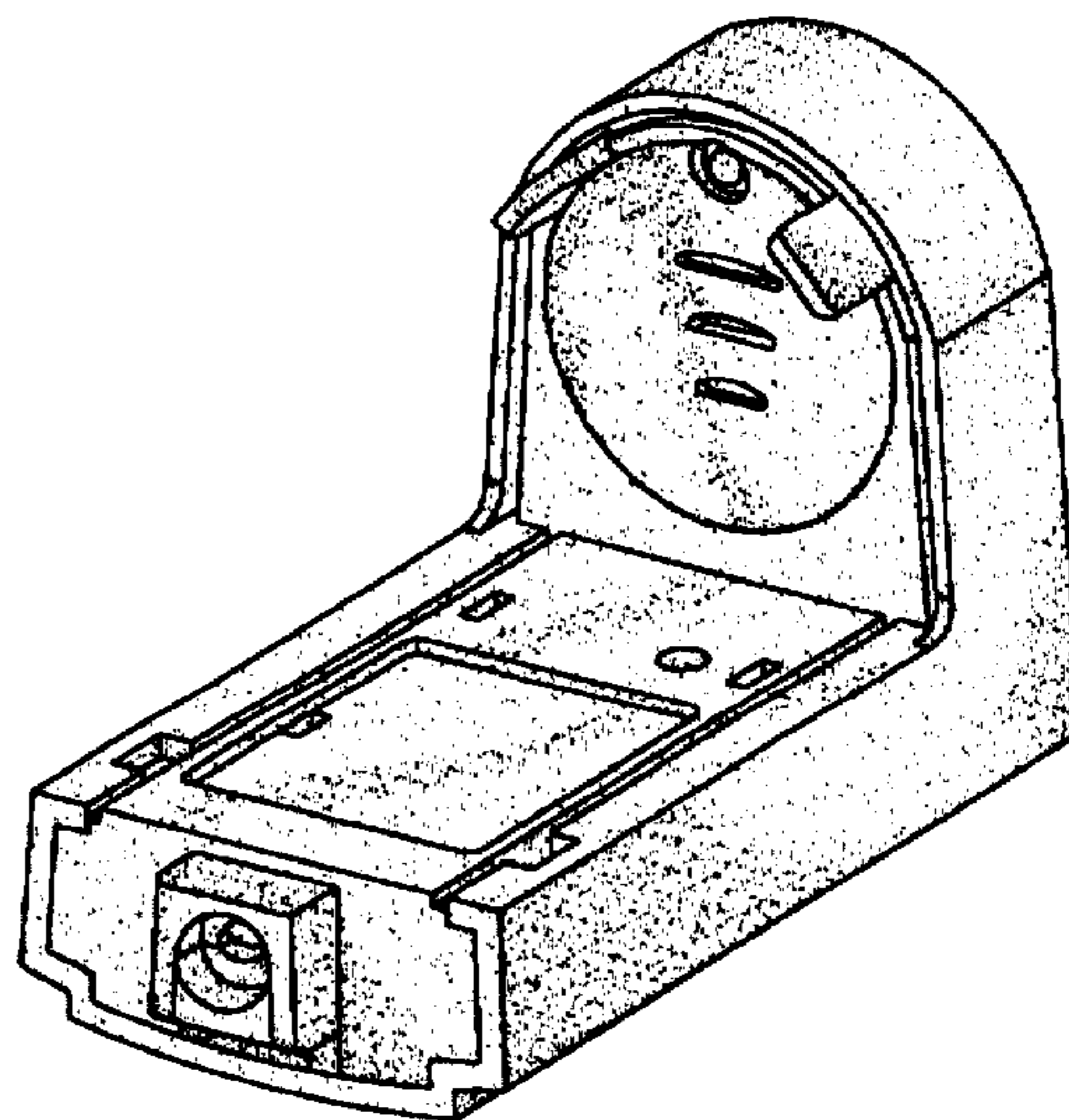
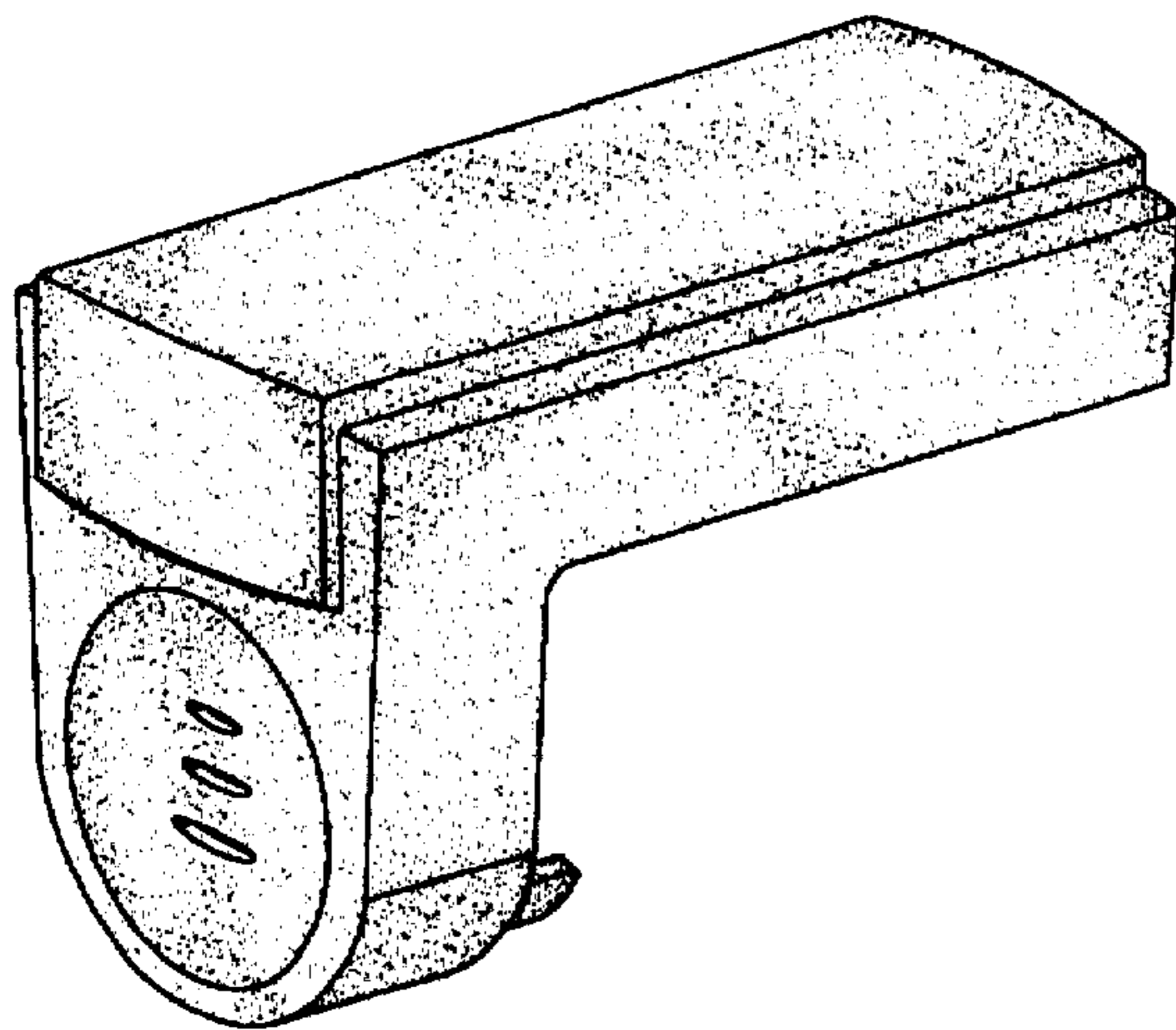


FIG. 1

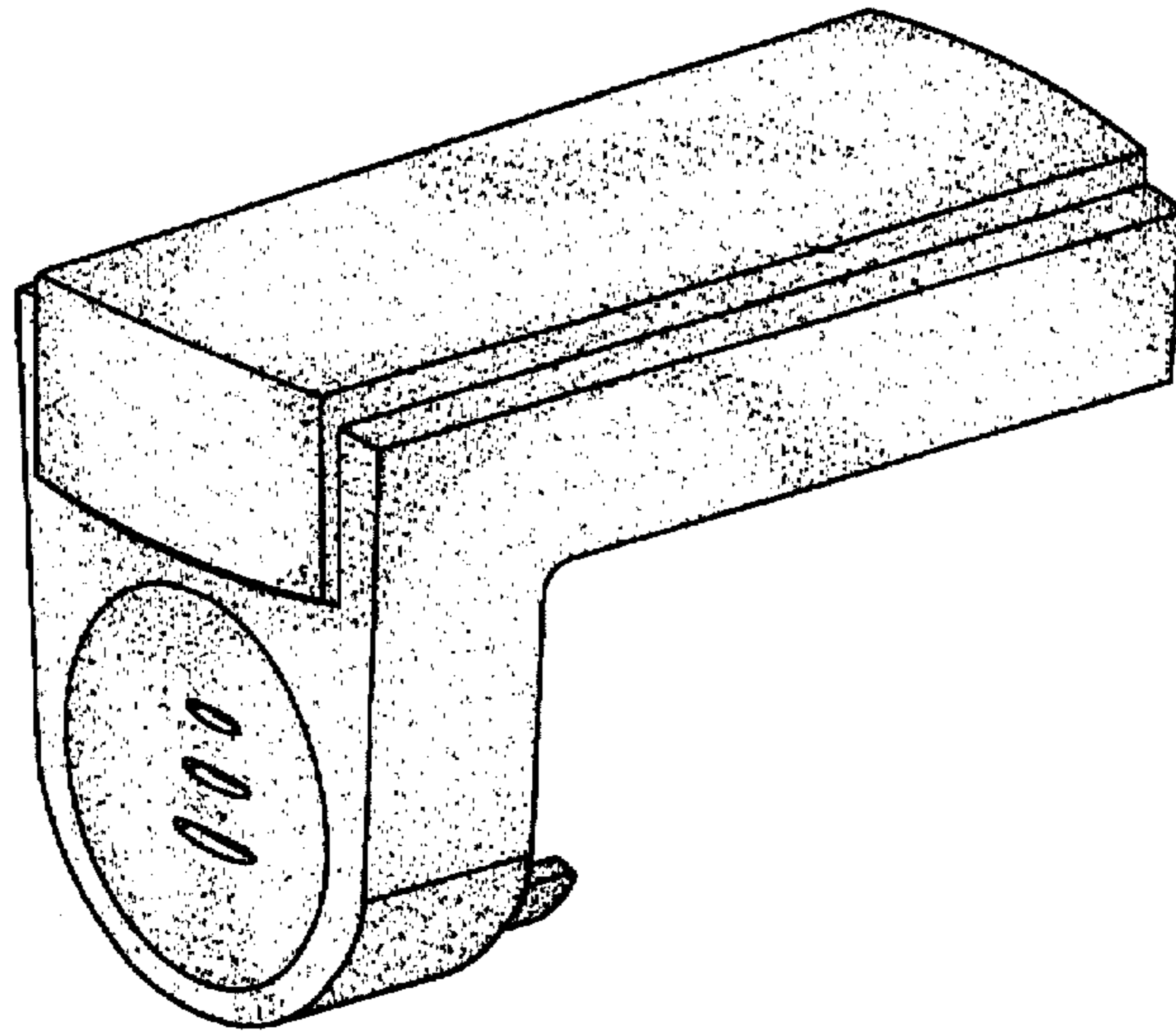


FIG. 2

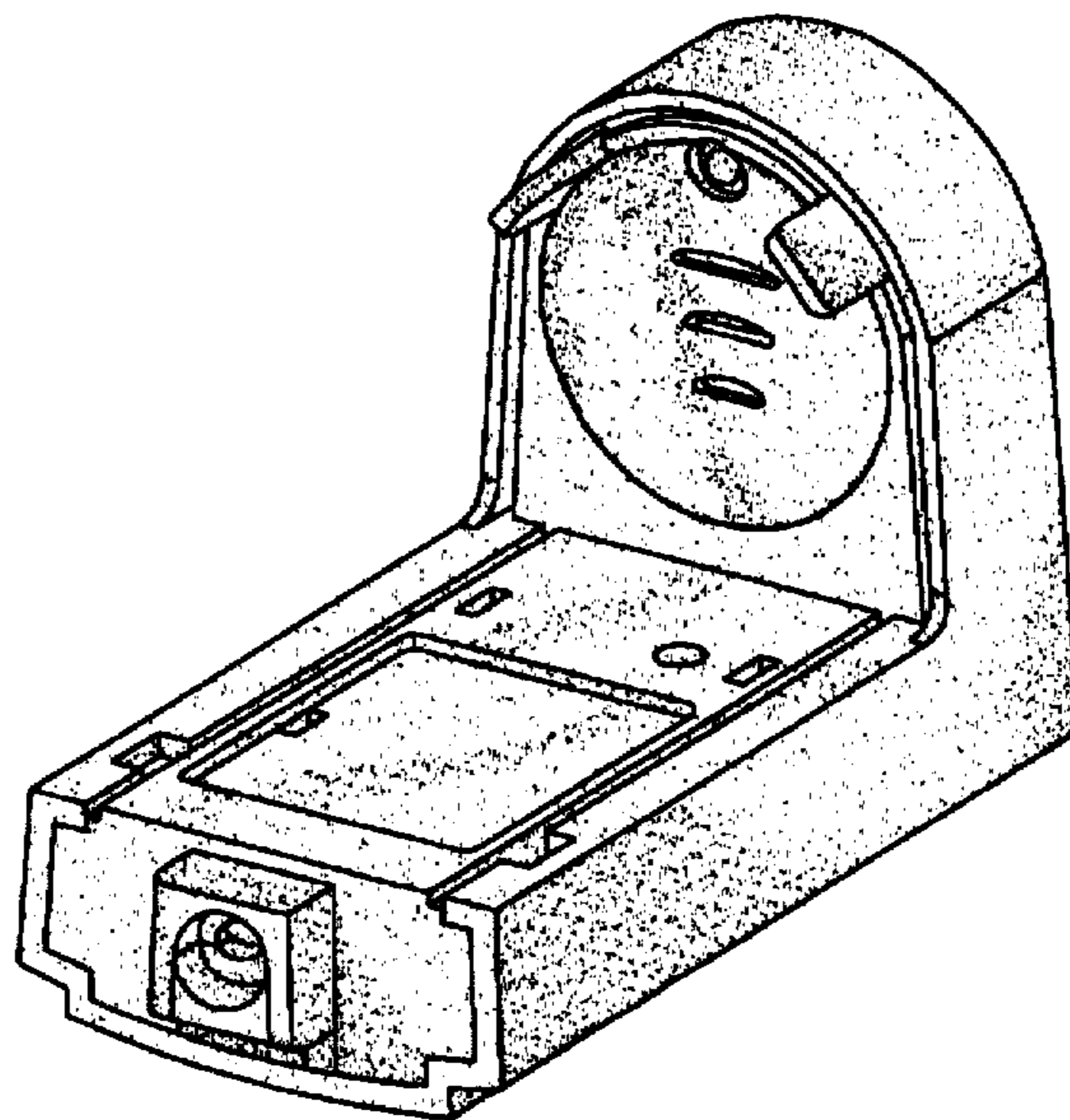


FIG. 3

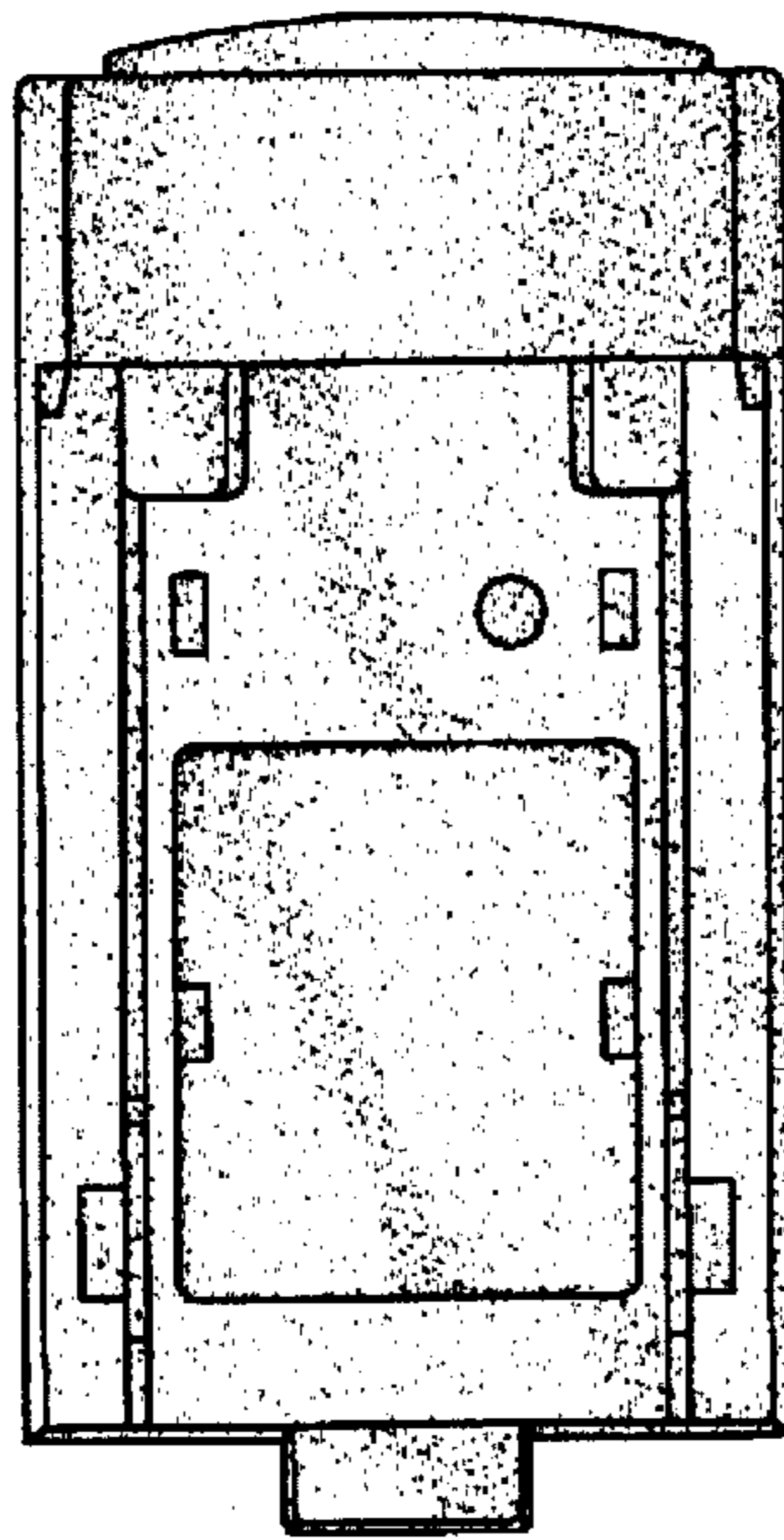


FIG. 4

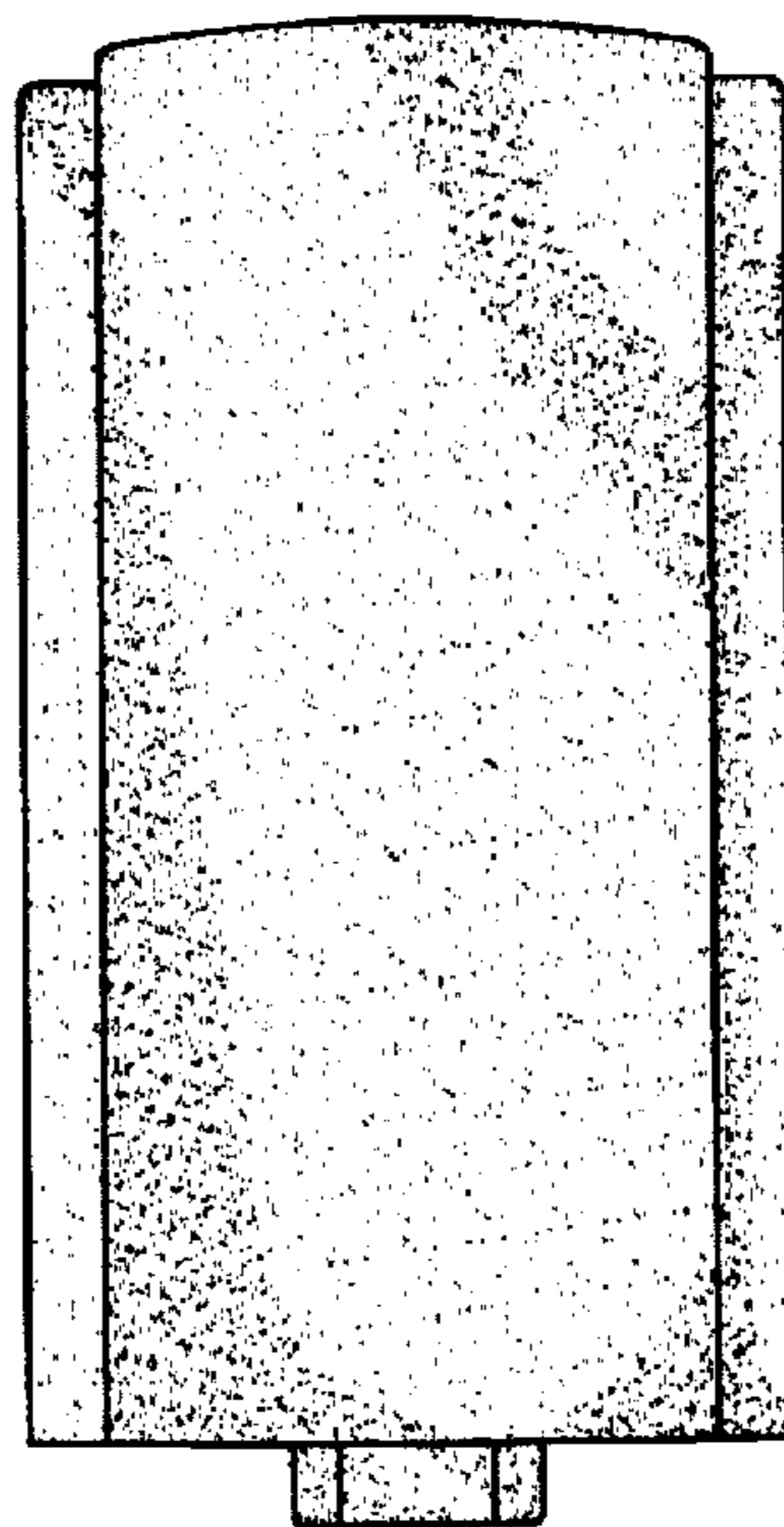


FIG. 5

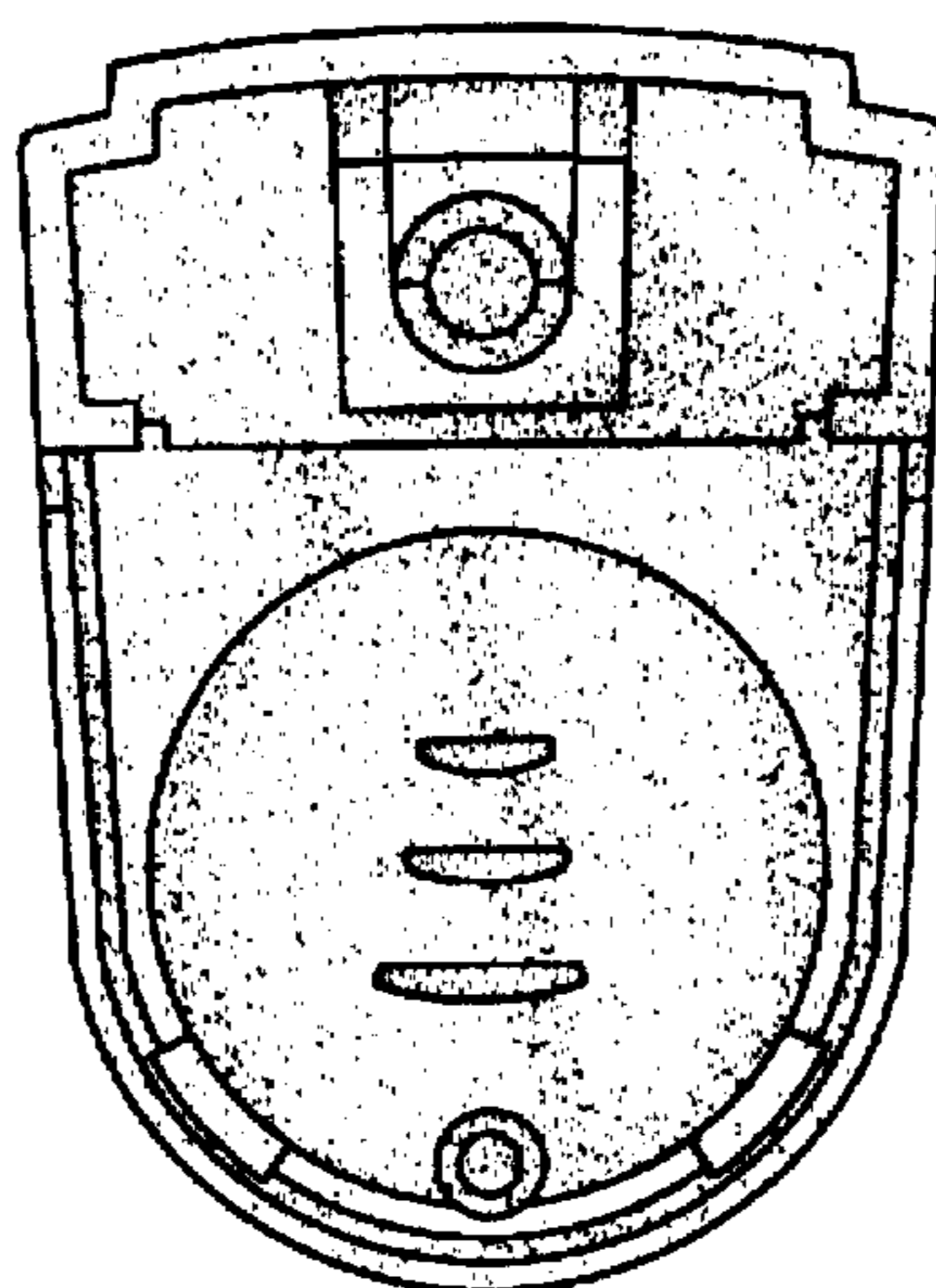


FIG. 6

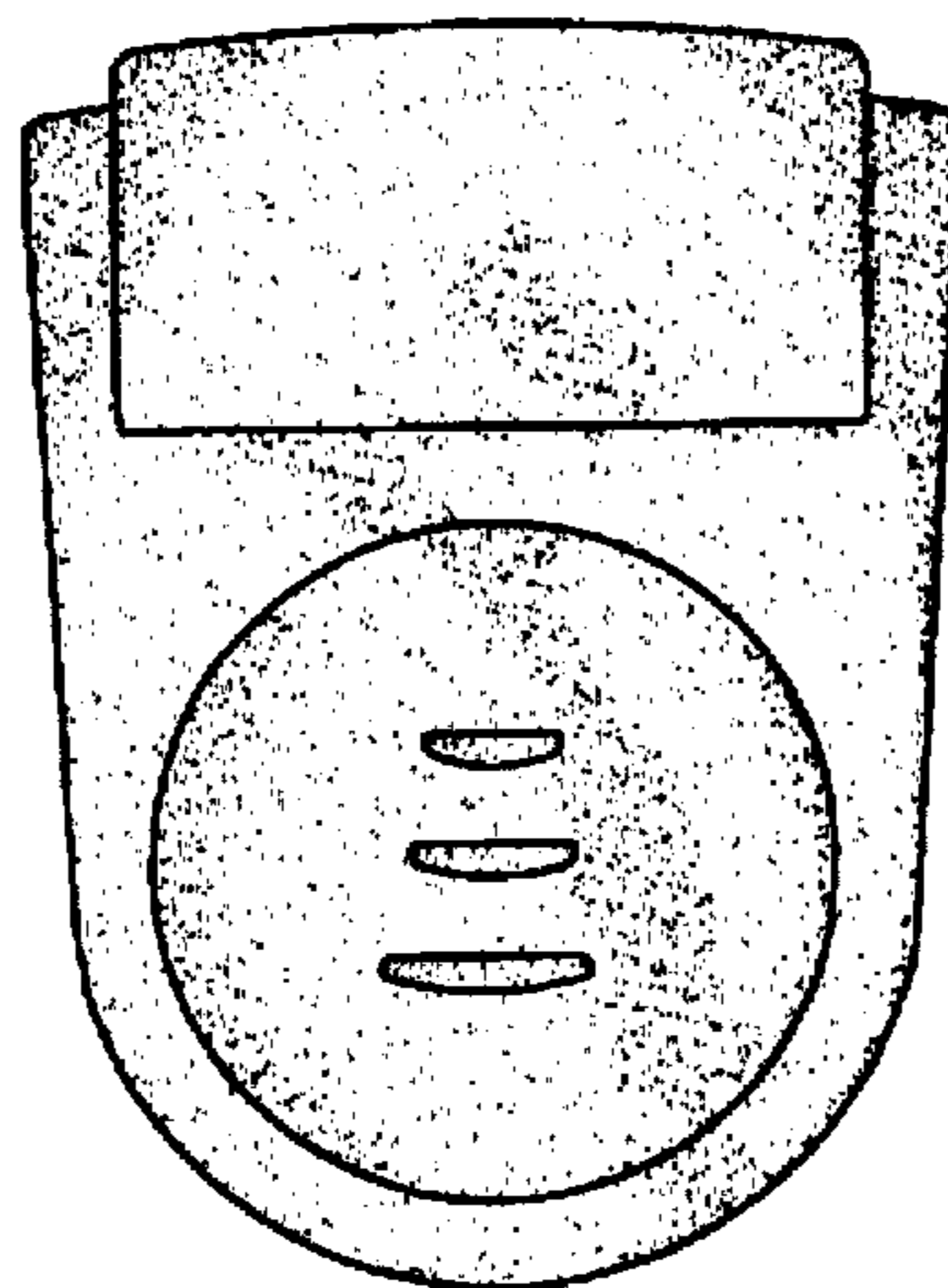


FIG. 7

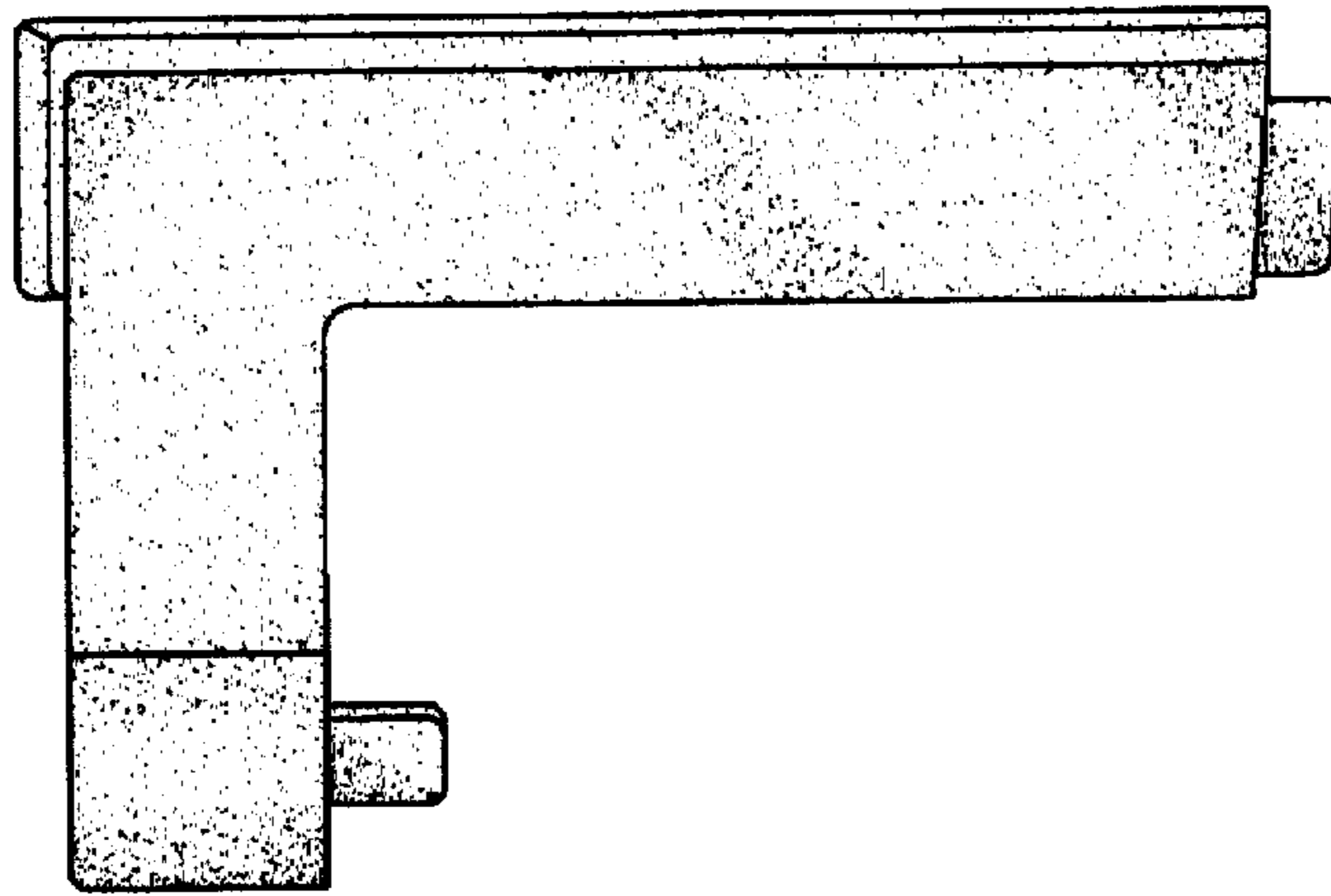


FIG. 8

