

US00D384351S

United States Patent [19]

Suzuki et al.

[11] Patent Number: **Des. 384,351**

[45] Date of Patent: ****Sep. 30, 1997**

[54] **PAGER**

D. 359,047 6/1995 Brandsma D14/191

[75] Inventors: **Masataka Suzuki; Mamoru Takahashi**, both of Tokyo, Japan

OTHER PUBLICATIONS

NEC brochure "PAGER", published prior to Jul. 20, 1995, 4 pgs.

[73] Assignee: **NEC Corporation**, Tokyo, Japan

SCRIPTER brochure "4 SIMPLE Buttons—Motorola", published prior to Jul. 20, 1995, 2 pgs.

[**] Term: **14 Years**

Primary Examiner—Sandra L. Morris

Assistant Examiner—Nanda Bondade

Attorney, Agent, or Firm—Sughrue, Mion, Zinn, Macpeak & Seas

[21] Appl. No.: **50,547**

[22] Filed: **Jan. 19, 1996**

[30] Foreign Application Priority Data

Jul. 20, 1995 [JP] Japan 7-21106

[57] CLAIM

The ornamental design for a pager, as shown.

[51] LOC (6) Cl. **14-03**

[52] U.S. Cl. **D14/191**

[58] Field of Search D14/124, 188, D14/191, 192, 299; 340/311.1; 455/92, 100, 128, 344

DESCRIPTION

FIG. 1 is a perspective view of the front, top and right side of a pager showing our new design;

FIG. 2 is a front elevational view thereof;

FIG. 3 is a rear elevational view thereof;

FIG. 4 is a right side elevational view thereof;

FIG. 5 is a left side elevational view thereof;

FIG. 6 is a top plan view thereof; and,

FIG. 7 is a bottom plan view thereof.

[56] References Cited

U.S. PATENT DOCUMENTS

- D. 325,913 5/1992 Takahashi et al. D14/191
- D. 338,465 8/1993 Hayasaka et al. D14/191
- D. 353,593 12/1994 Hayasaka et al. D14/191
- D. 359,046 6/1995 Brandsma D14/191

1 Claim, 2 Drawing Sheets

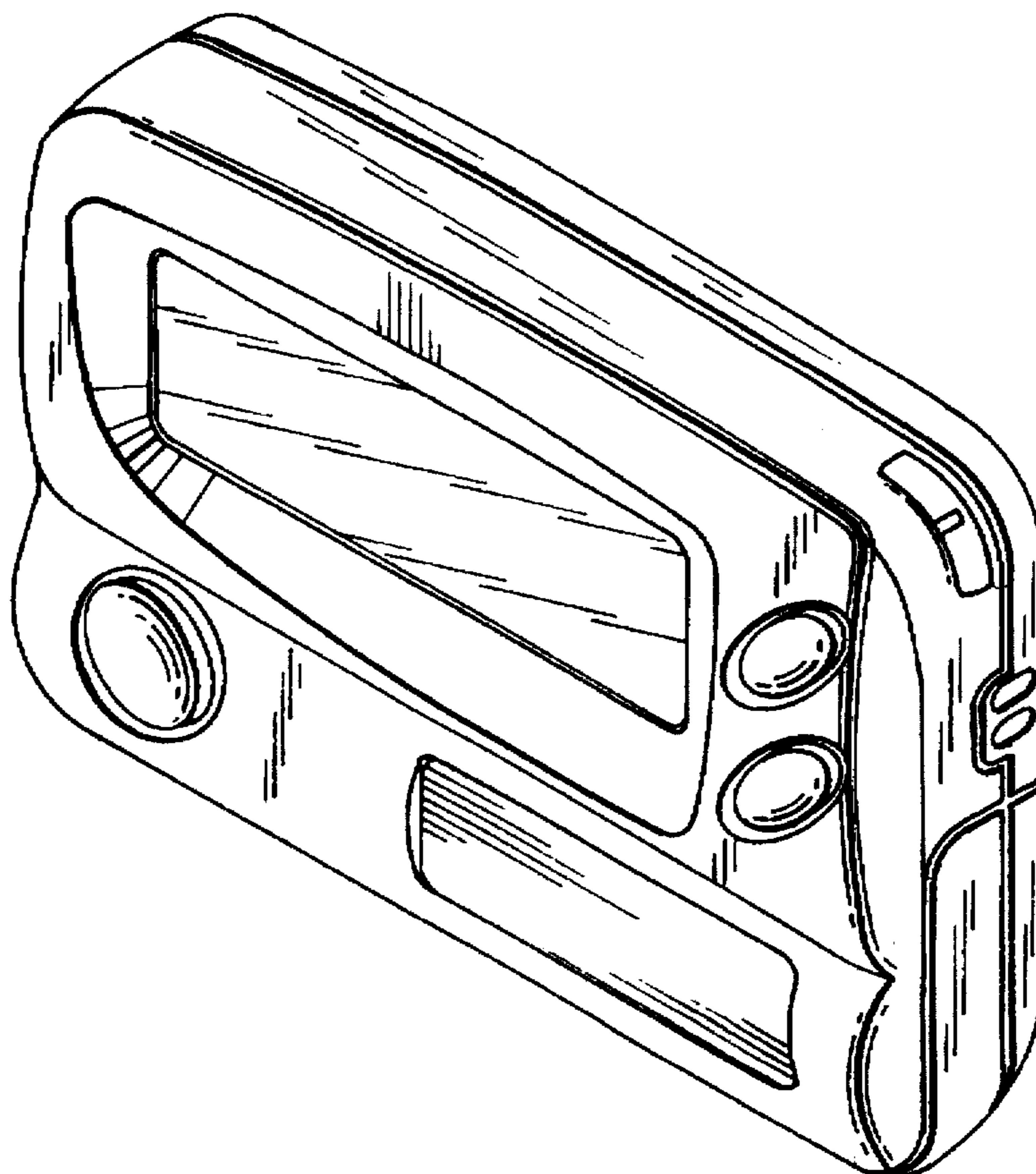


FIG. 1

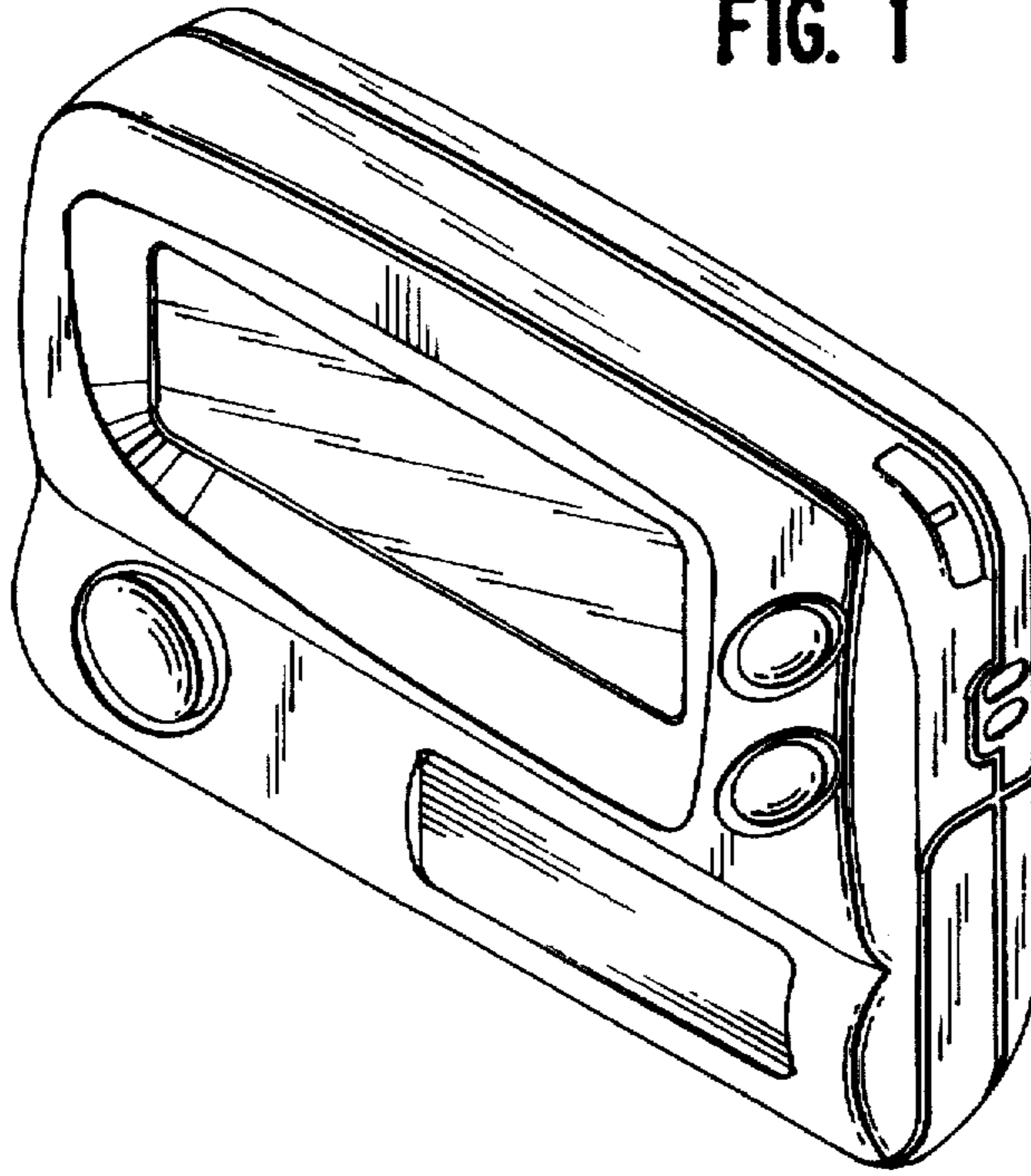


FIG. 6

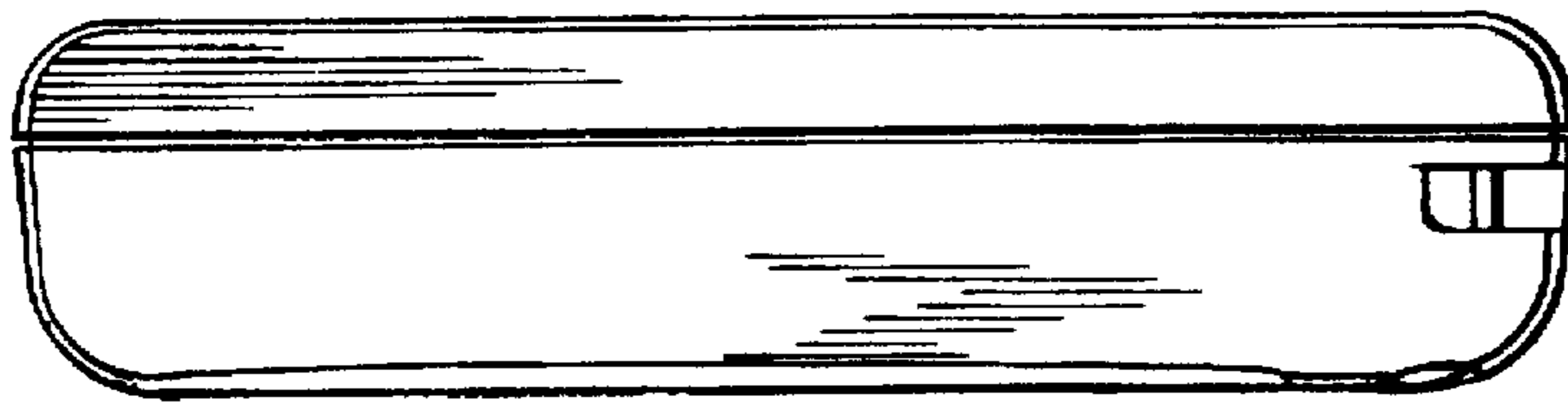
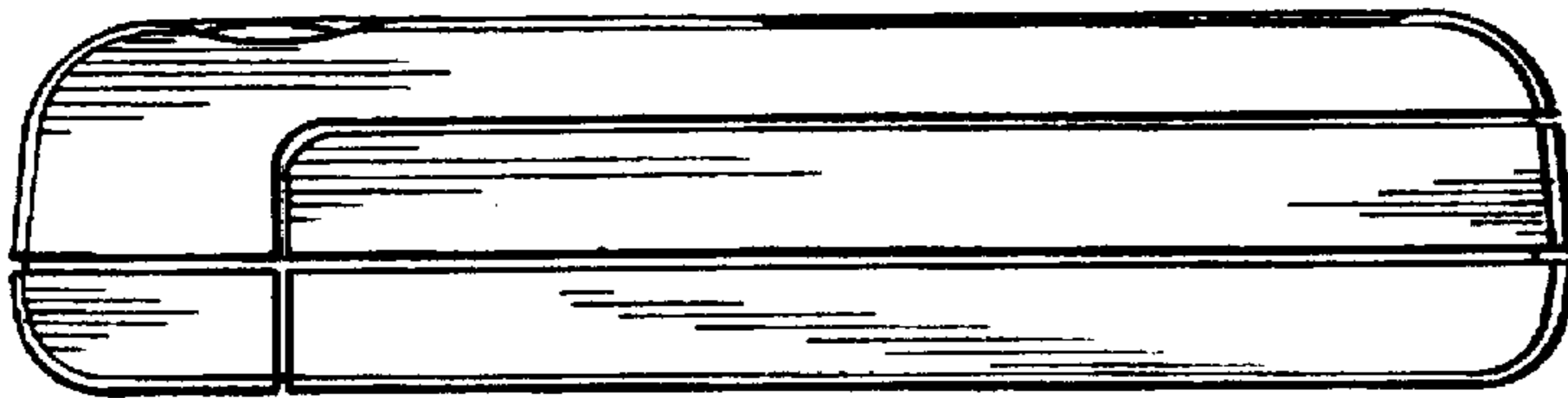


FIG. 7



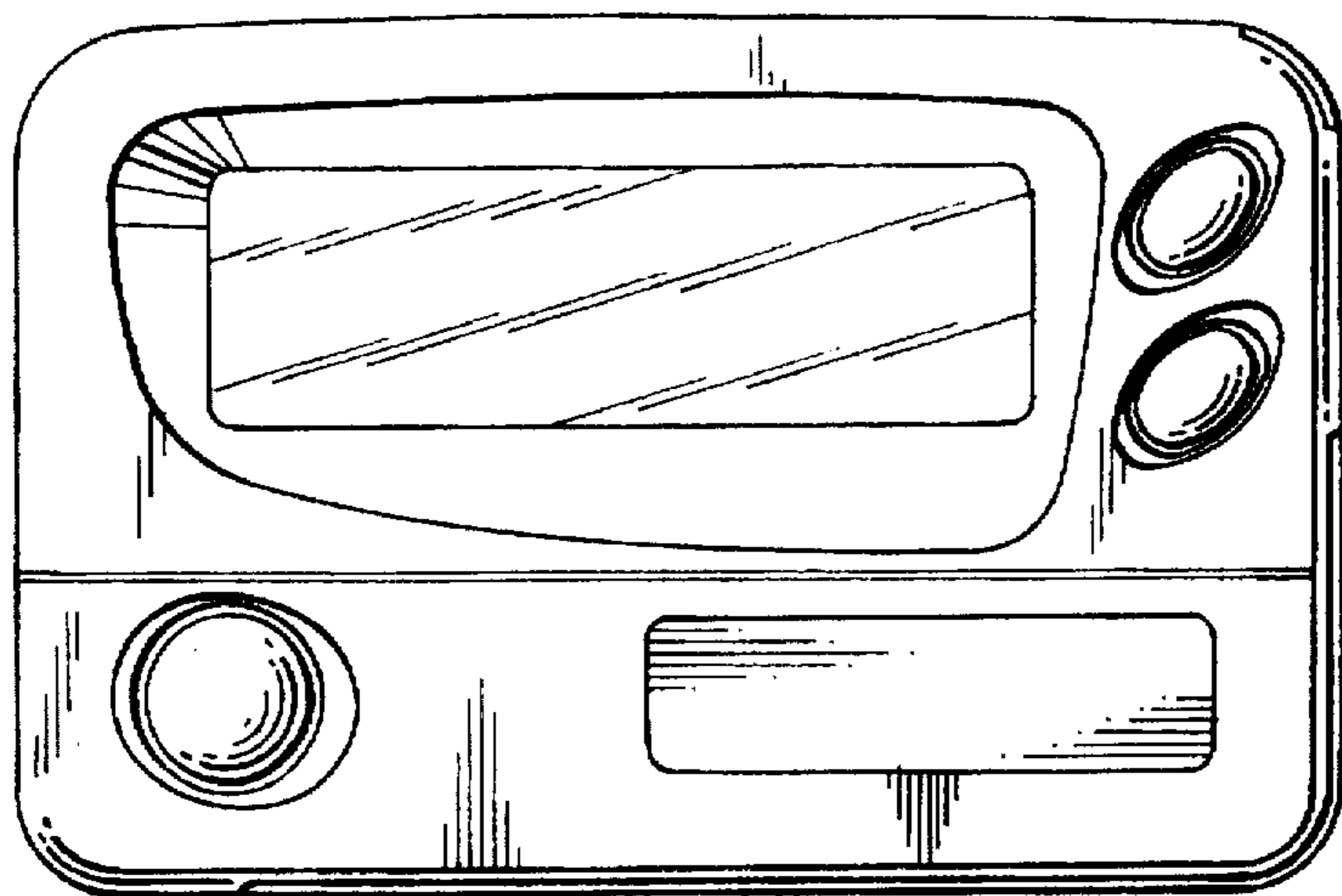


FIG. 2

FIG. 3

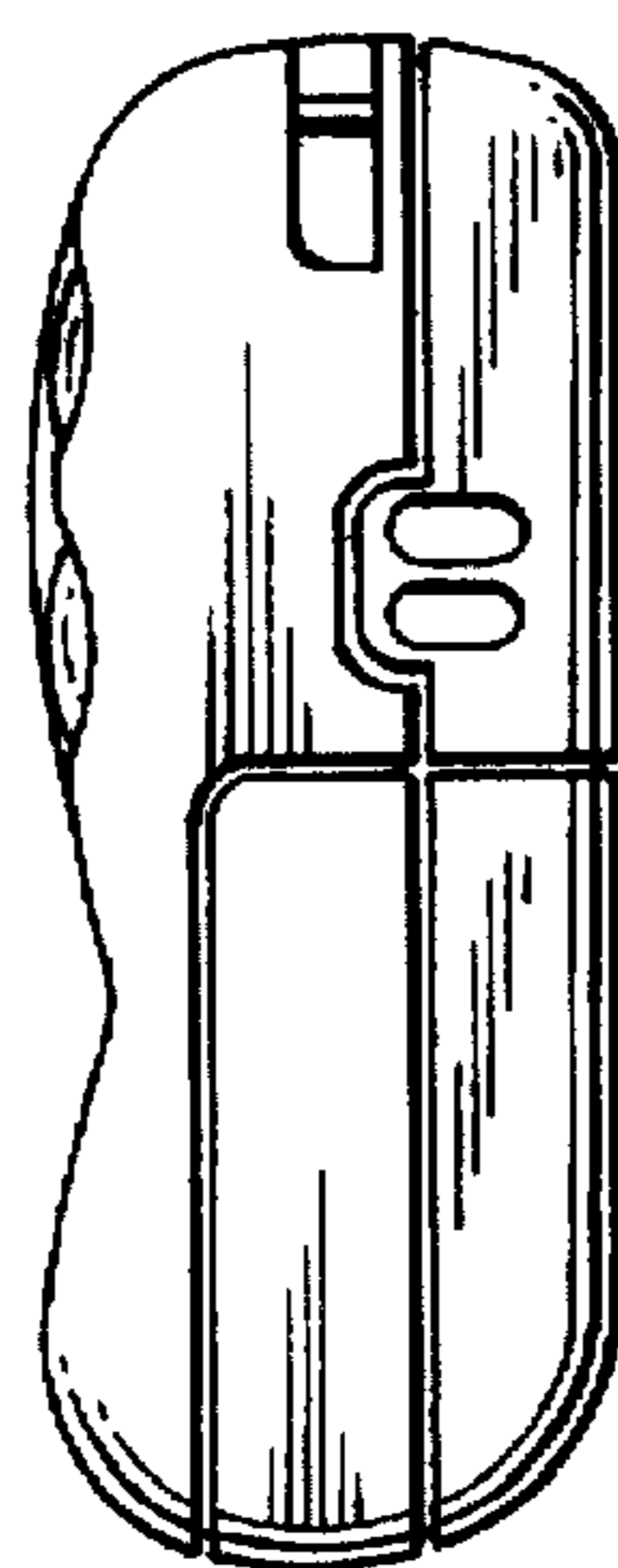
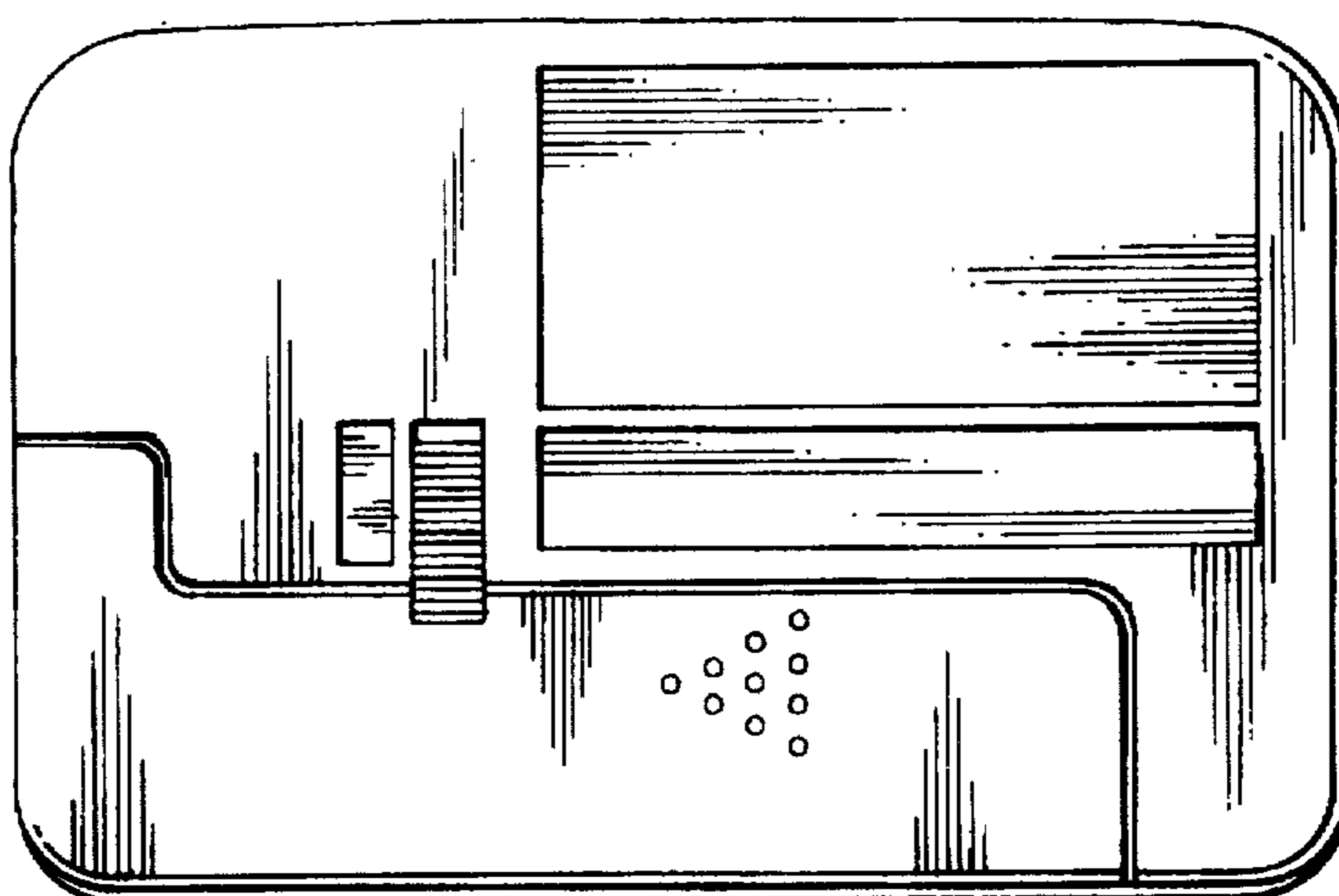


FIG. 4

FIG. 5

