



US00D384350S

United States Patent [19]

[11] Patent Number: **Des. 384,350**

Nuevo et al.

[45] Date of Patent: ****Sep. 30, 1997**

[54] **PORTABLE RADIO-CASSETTE-CD PLAYER**

Primary Examiner—Sandra L. Morris

Assistant Examiner—Nanda Bondade

[76] Inventors: **Ramon Nuevo; Adam Arrocha**, both of P.O. Box 352281, Miami, Fla. 33135

Attorney, Agent, or Firm—Harold H. Dutton, Jr.; Diane F. Liebman

[**] Term: **14 Years**

[57] **CLAIM**

[21] Appl. No.: **52,226**

The ornamental design for a portable radio-cassette-CD player, as shown and described.

[22] Filed: **Mar. 26, 1996**

DESCRIPTION

[51] LOC (6) Cl. **14-01**

FIG. 1 is an exploded perspective view of a portable radio-cassette-CD player showing our new design, the central portion is shown elevated for clarity of illustration;

[52] U.S. Cl. **D14/168**

FIG. 2 is a front view thereof;

[58] Field of Search D14/124, 156, D14/160-168, 188-190, 192-198, 257, 260, 299; 455/344, 350, 351

FIG. 3 is a rear view thereof;

FIG. 4 is a top view thereof;

FIG. 5 is a bottom view thereof;

FIG. 6 is a right side view thereof; and,

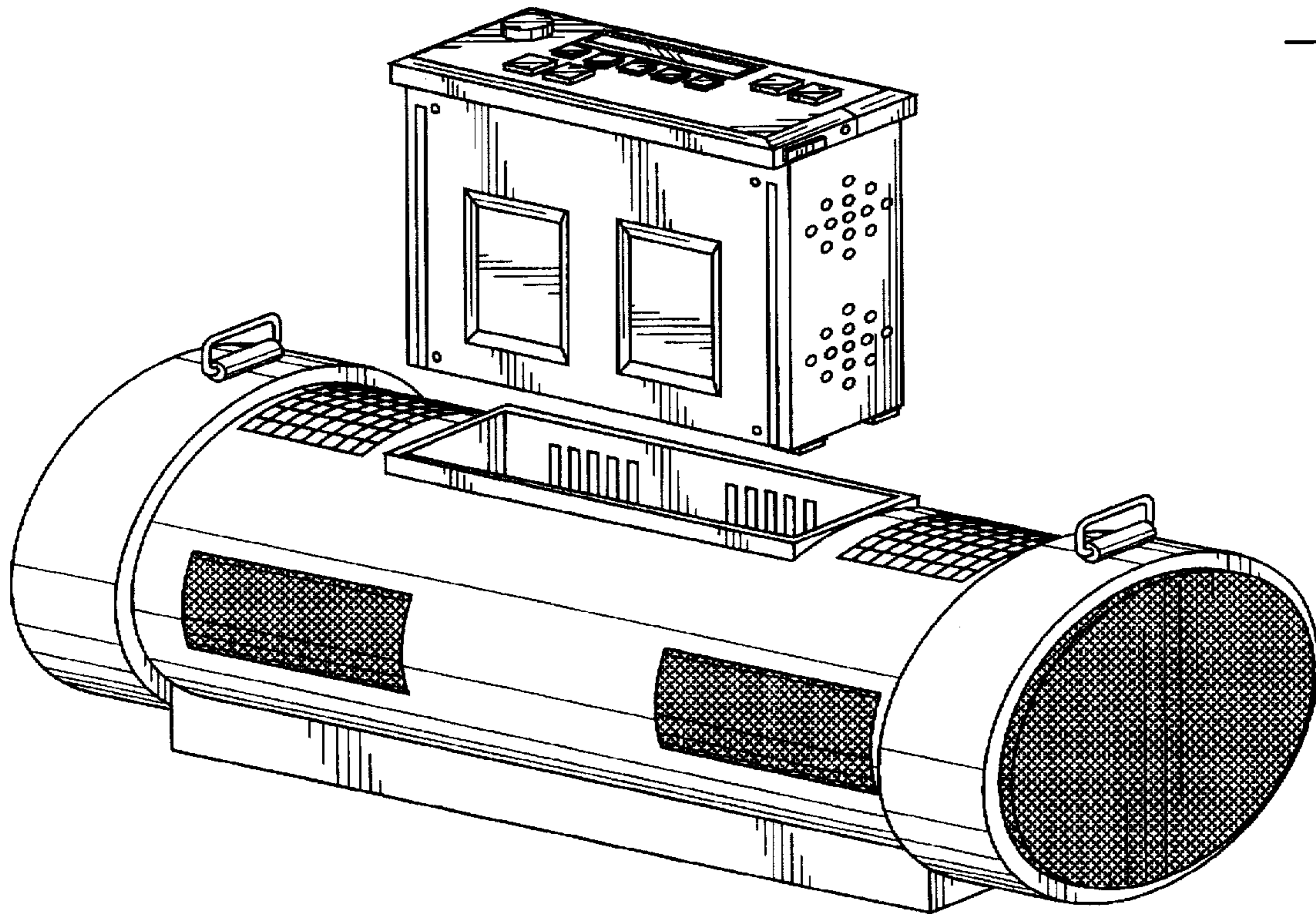
FIG. 7 is a left side view thereof.

[56] **References Cited**

U.S. PATENT DOCUMENTS

D. 306,297	2/1990	Mori et al.	D14/163
D. 310,364	9/1990	Matsuo et al.	D14/165 X
D. 317,915	7/1991	Grimes	D14/168 X

1 Claim, 4 Drawing Sheets



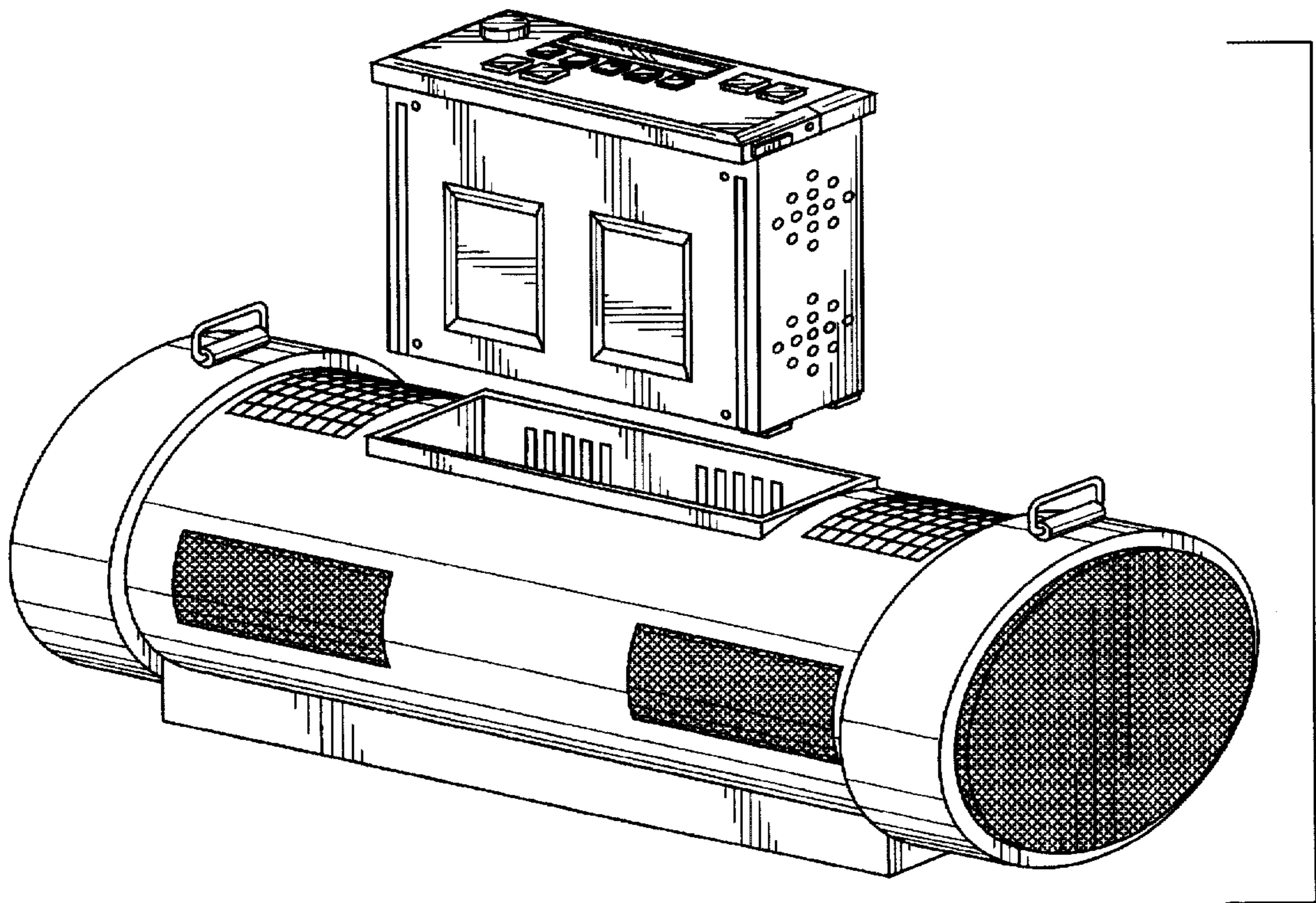


FIG. 1

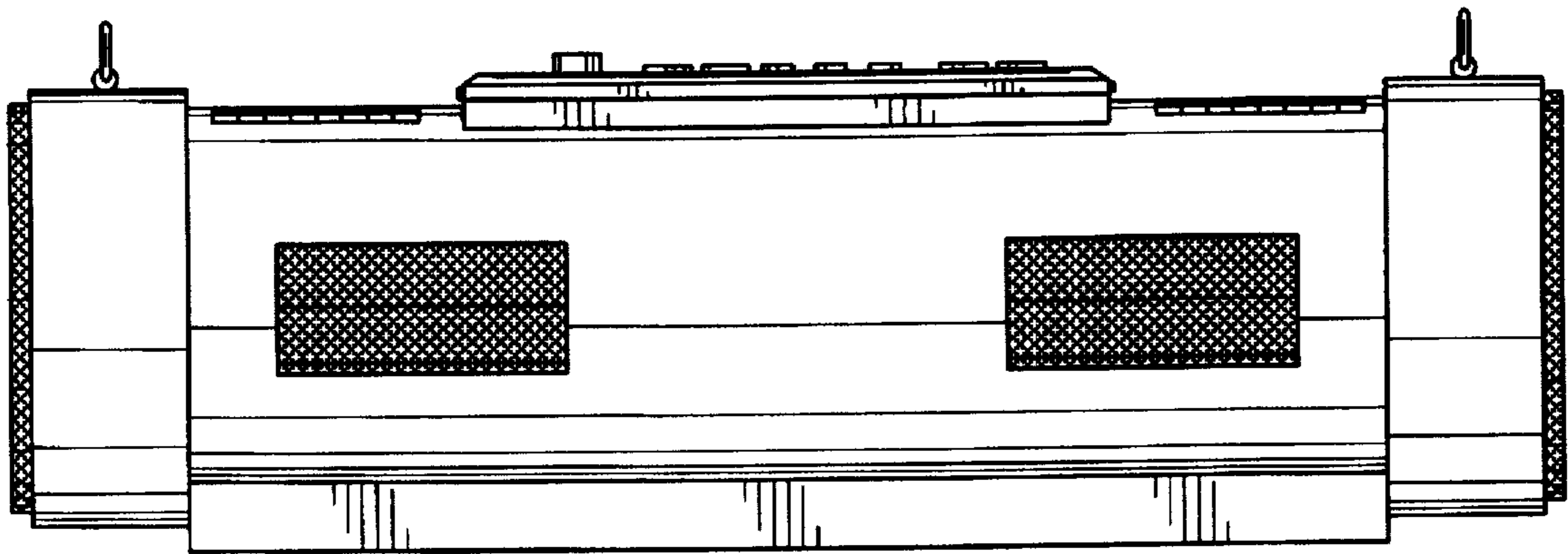


FIG. 2

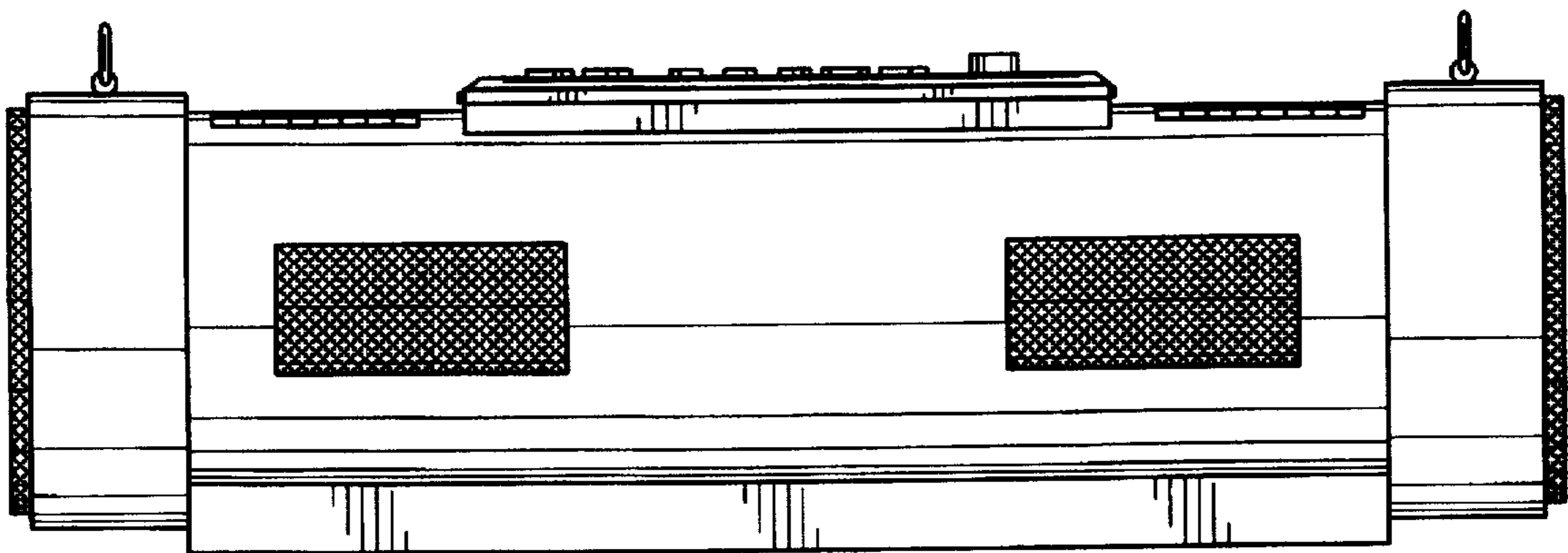


FIG. 3

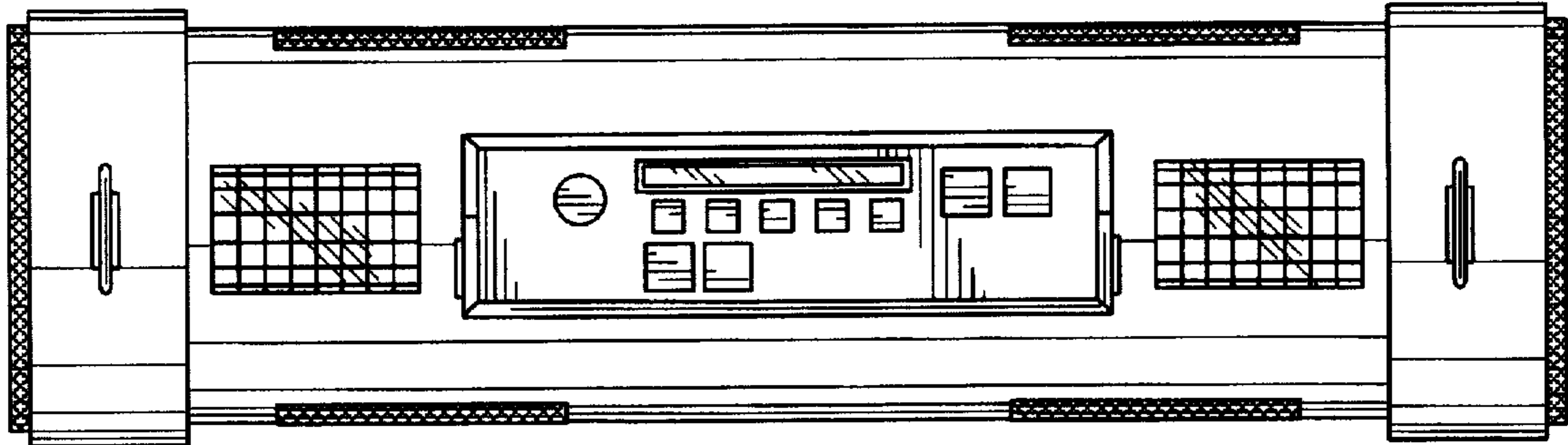


FIG. 4

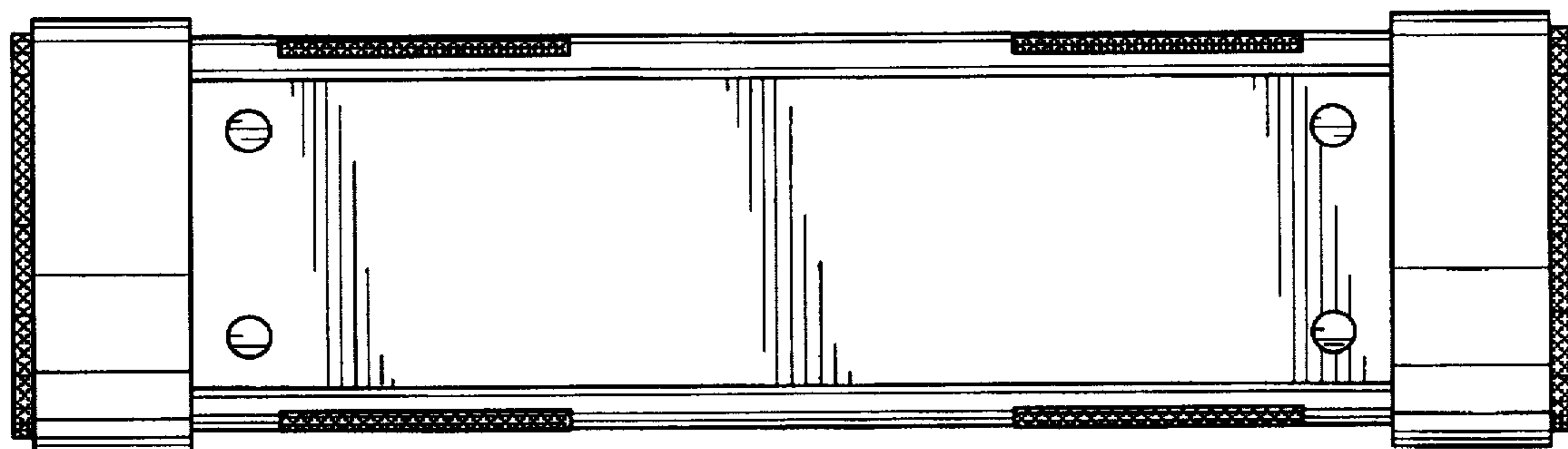


FIG. 5

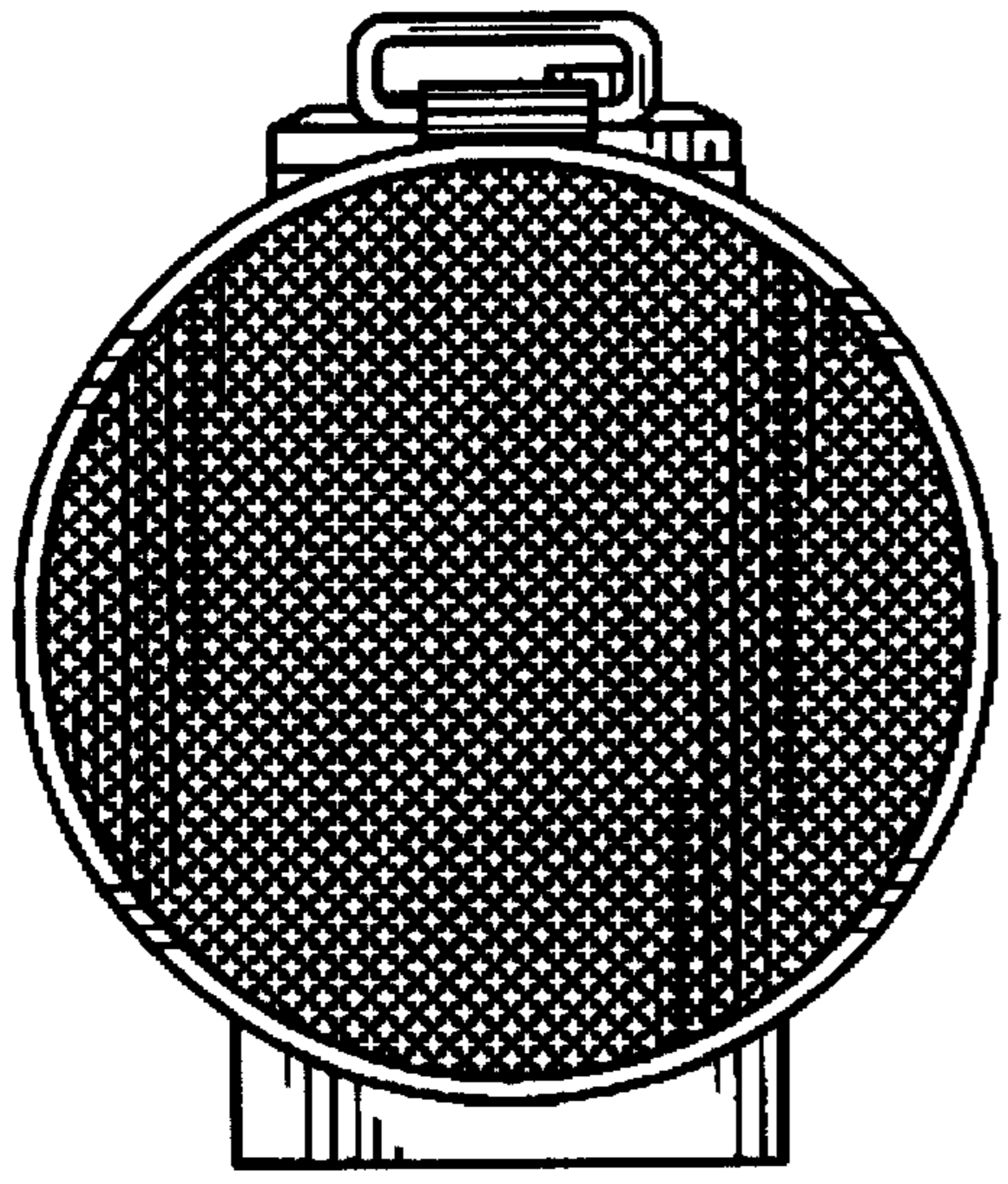


FIG. 6

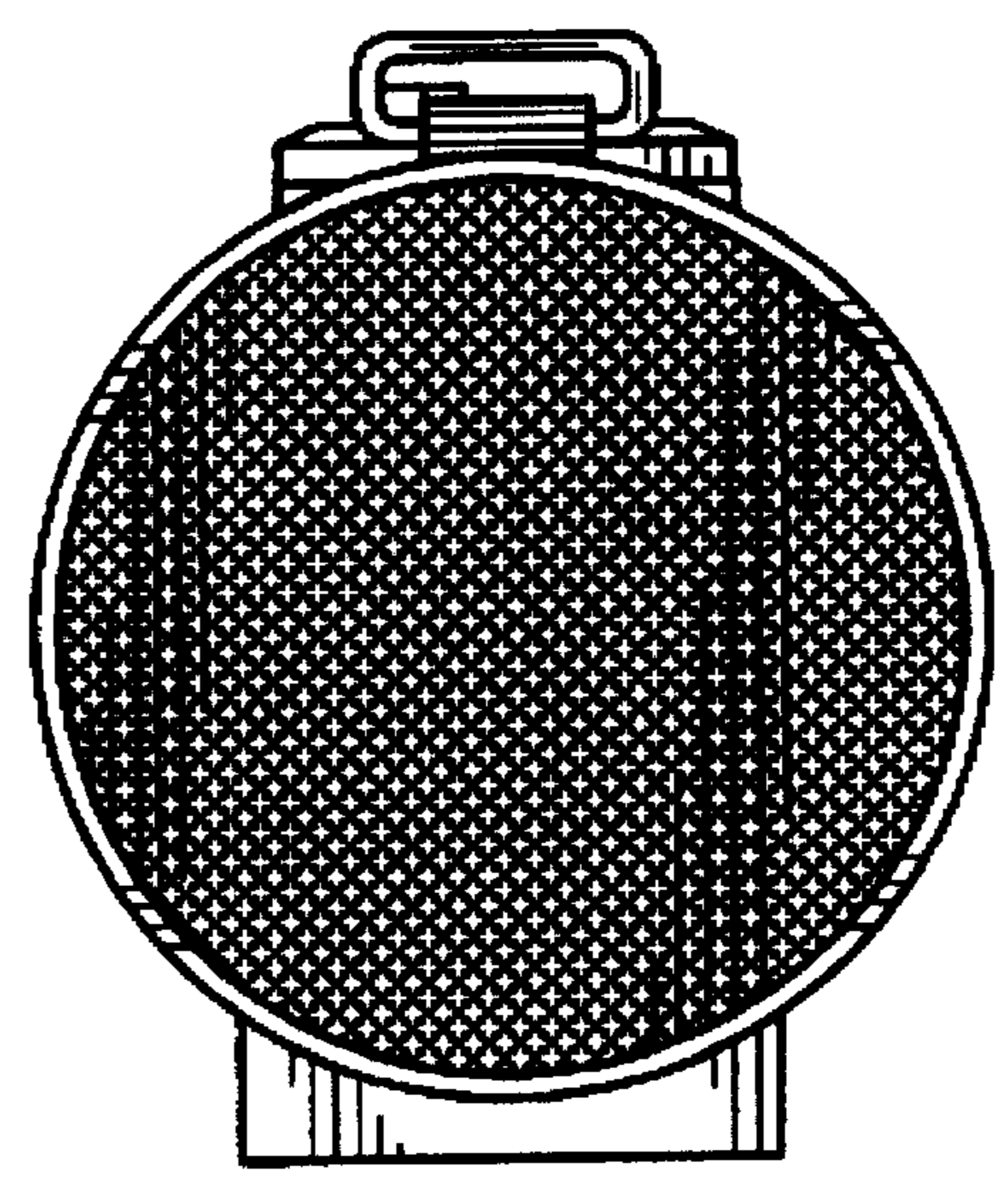


FIG. 7