

US00D384348S

# United States Patent [19]

Kokkinis

[11] Patent Number: **Des. 384,348**

[45] Date of Patent: **\*\*Sep. 30, 1997**

[54] **RADIO CASSETTE PLAYER**

[75] Inventor: **Serge Kokkinis, Hong Kong, Hong Kong**

[73] Assignee: **Alfa Technology Ltd., Hong Kong, Hong Kong**

[\*\*] Term: **14 Years**

[21] Appl. No.: **46,382**

[22] Filed: **Nov. 13, 1995**

[30] **Foreign Application Priority Data**

May 11, 1995 [GB] United Kingdom ..... 2047366

[51] LOC (6) Cl. .... **14-01**

[52] U.S. Cl. .... **D14/162; D14/193**

[58] Field of Search ..... **D10/2, 15; D14/124, D14/154, 156, 160-168, 188, 193-198, 257, 260, 299; 455/344, 347, 350, 351**

[56] **References Cited**

**U.S. PATENT DOCUMENTS**

D. 212,189 9/1968 Dietrich ..... D14/165

D. 263,832	4/1982	Lee	.....	D10/2 X
D. 298,234	10/1988	Sumita	.....	D14/163
D. 302,014	7/1989	Ohzu	.....	D14/188
D. 358,338	5/1995	Wong	.....	D10/15

*Primary Examiner*—Sandra L. Morris  
*Assistant Examiner*—Nanda Bondade  
*Attorney, Agent, or Firm*—Nixon & Vanderhye P.C.

[57] **CLAIM**

The ornamental design for a “radio cassette player”, as shown and described.

**DESCRIPTION**

FIG. 1 is a front elevational view of a radio cassette player showing my new design, taken in the direction of arrow I of FIG. 2;

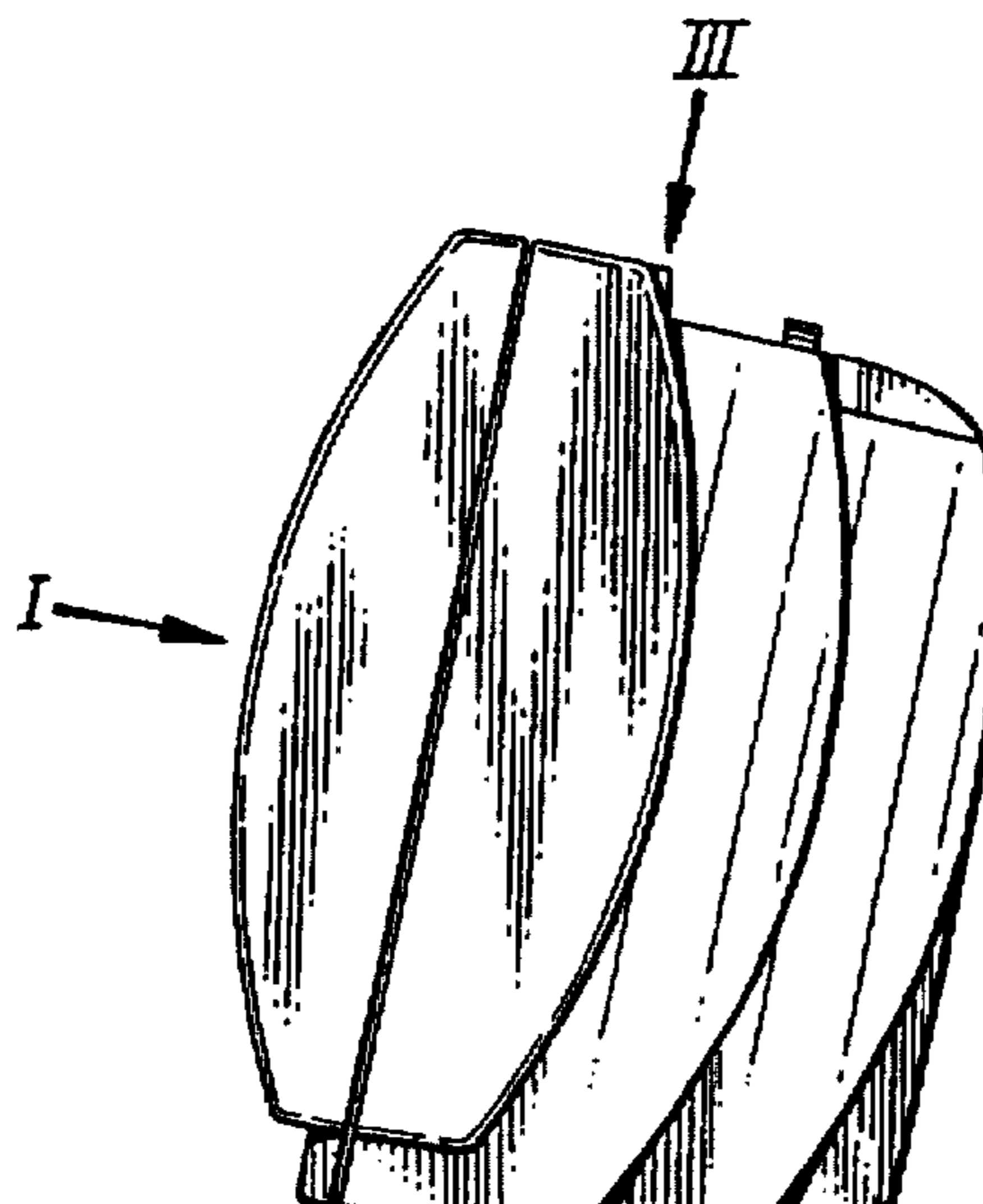
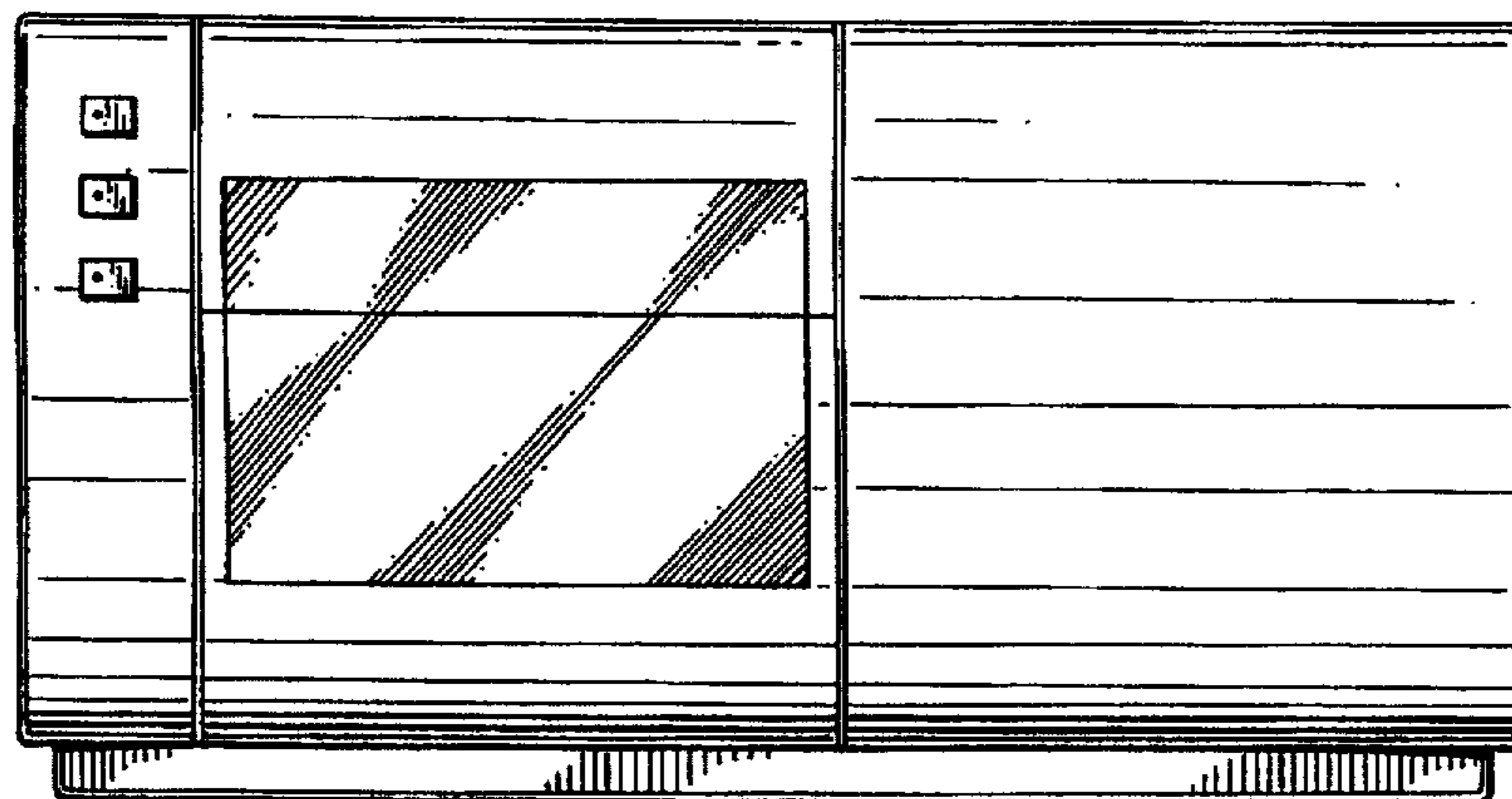
FIG. 2 is a right side elevational view thereof, the opposite side view being a mirror image;

FIG. 3 is a top plan view thereof, taken in the direction of the arrow III of FIG. 2;

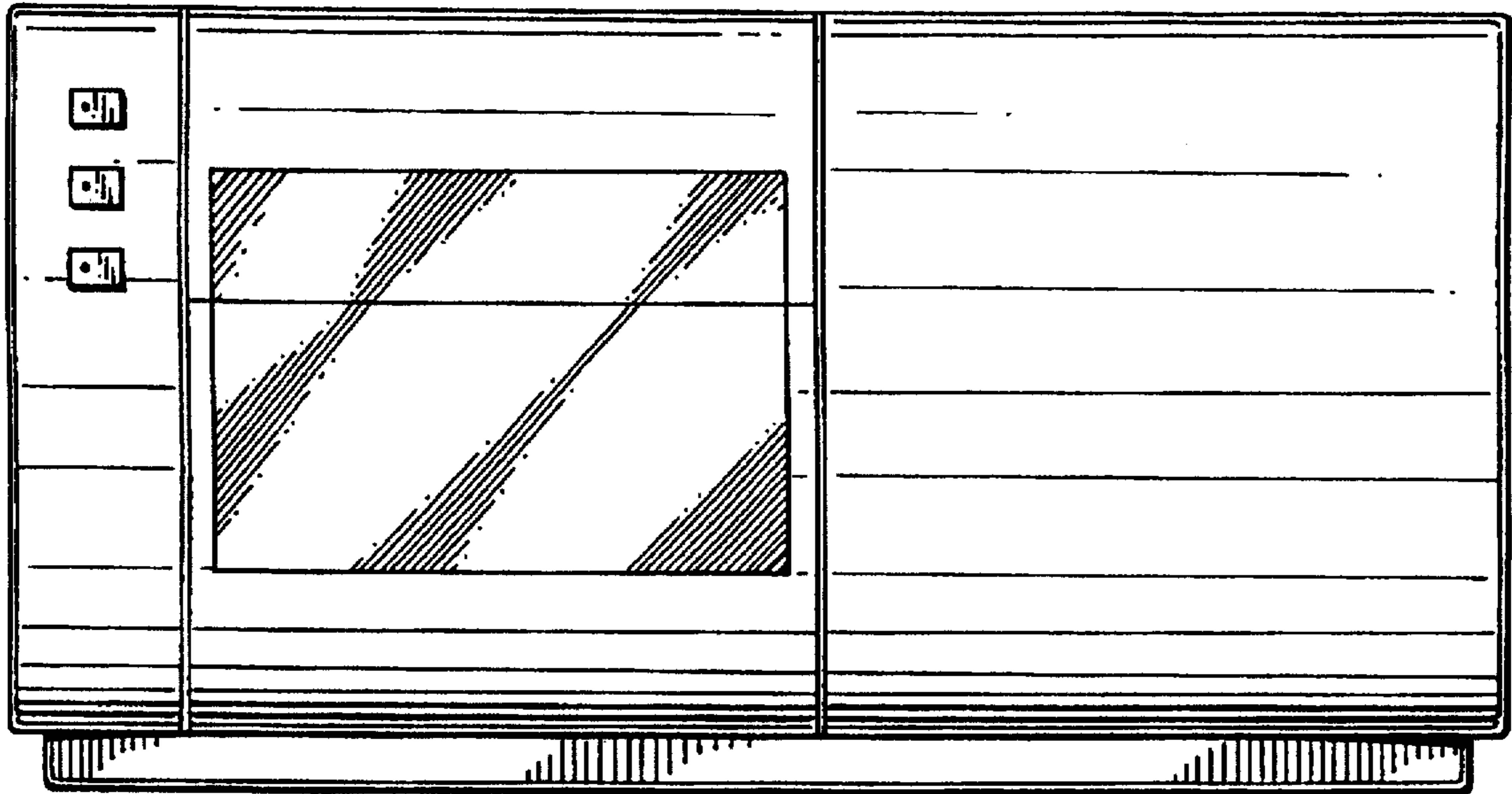
FIG. 4 is a rear elevational view thereof; and,

FIG. 5 is a bottom plan view thereof.

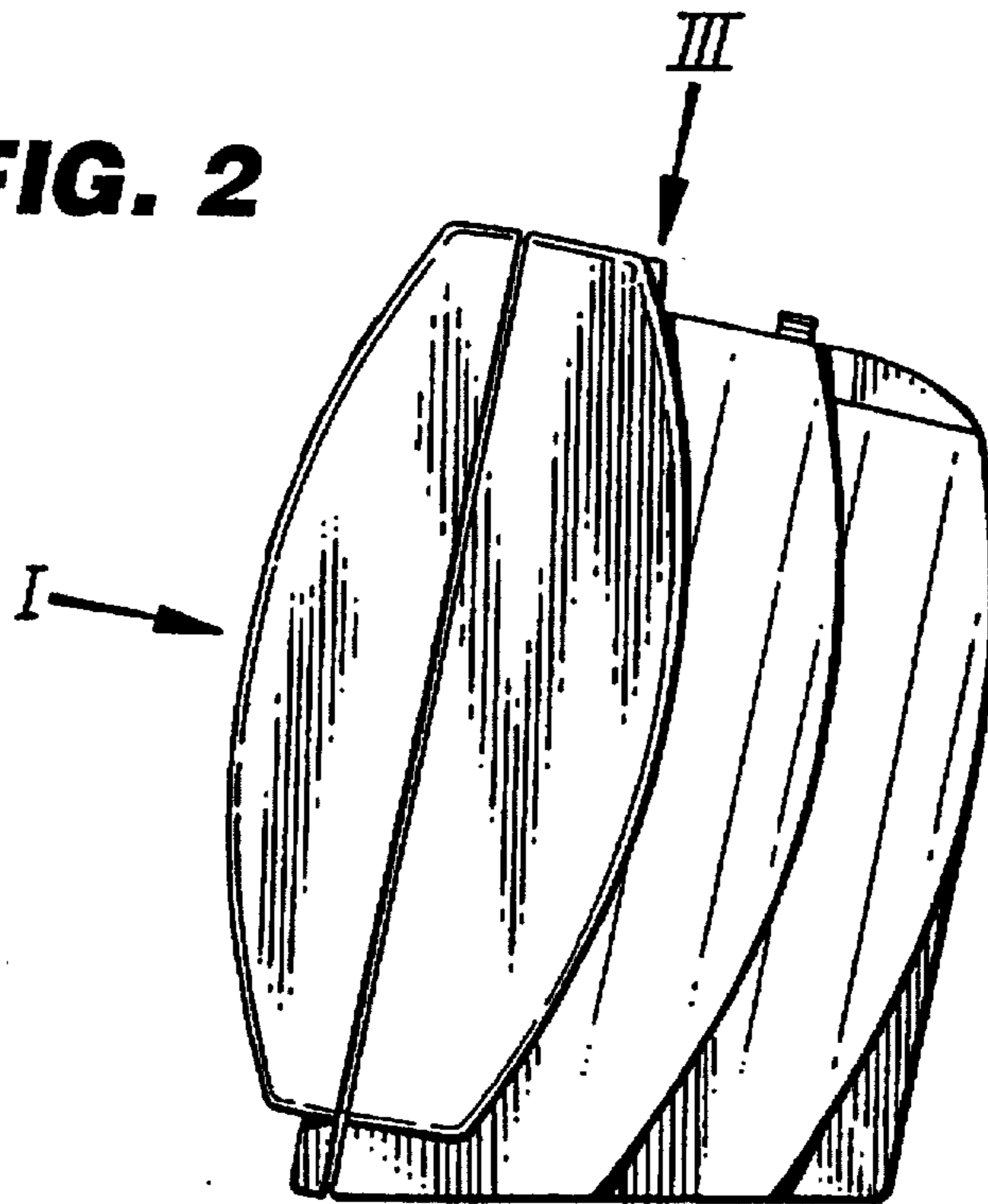
**1 Claim, 3 Drawing Sheets**



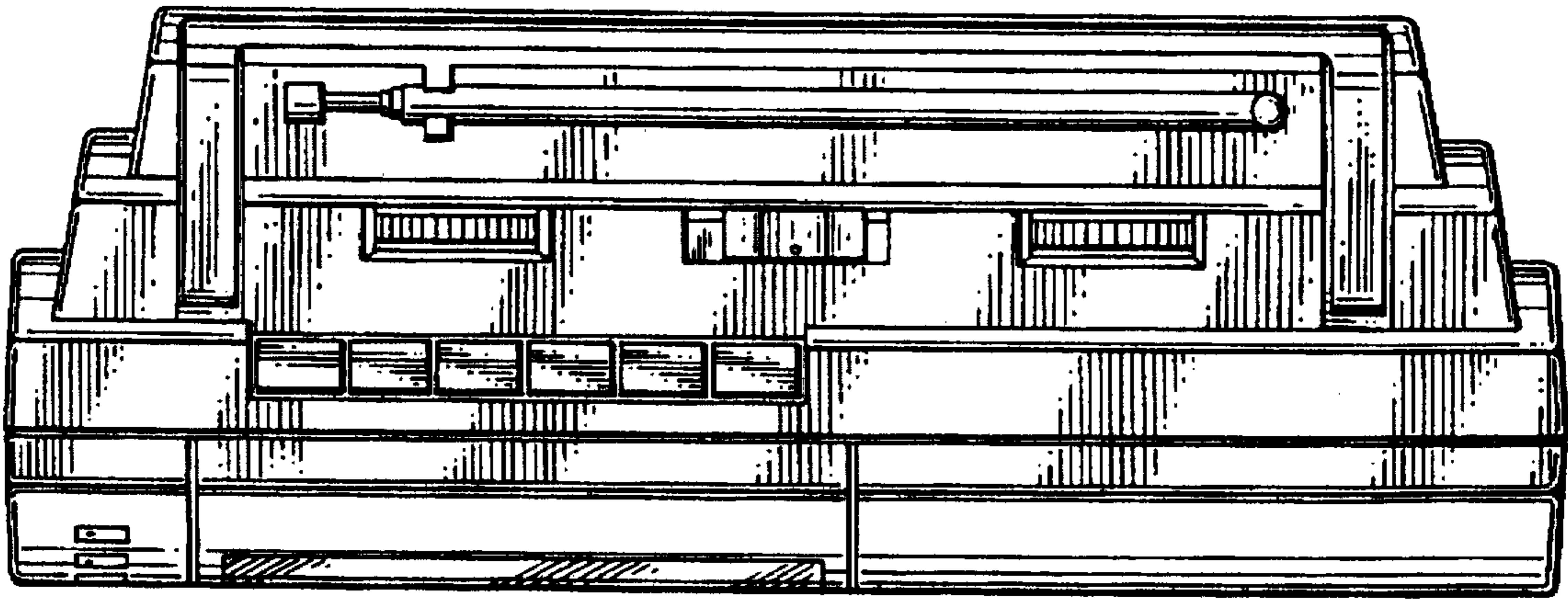
**FIG. 1**



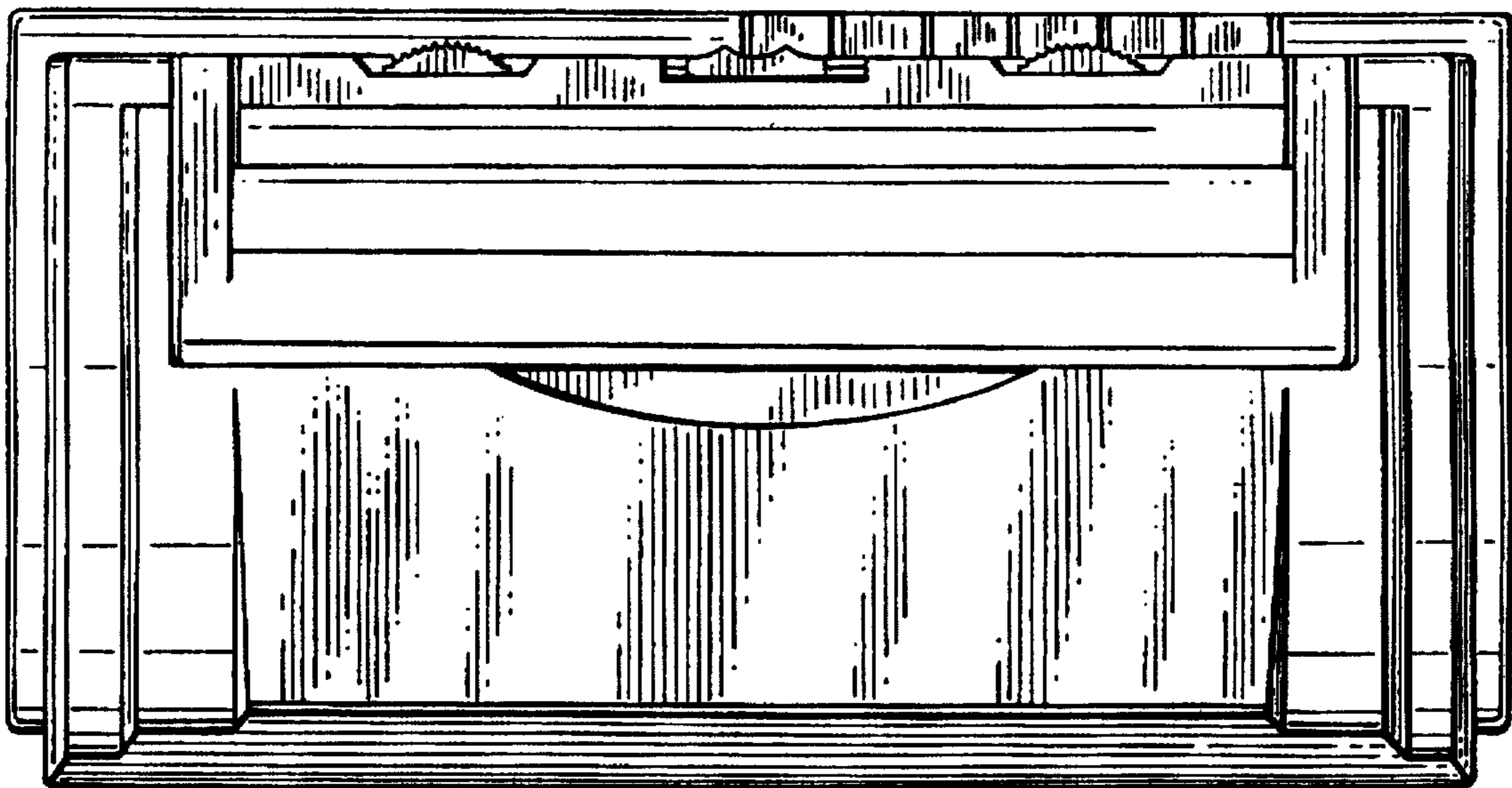
**FIG. 2**



**FIG. 3**



**FIG. 4**



**FIG. 5**

