



US00D384338S

United States Patent [19]

[11] Patent Number: **Des. 384,338**

Oates et al.

[45] Date of Patent: ****Sep. 30, 1997**

[54] **PERSONAL COMPUTER SYSTEM**

[75] Inventors: **Markus Oates**, Near Farnham, United Kingdom; **Julie Elaine Tierney**, Renfrew, Scotland; **Paul Flowers**, Newcastle-upon-Tyne, United Kingdom

[73] Assignee: **International Business Machines Corporation**, Armonk, N.Y.

[**] Term: **14 Years**

[21] Appl. No.: **53,551**

[22] Filed: **Apr. 25, 1996**

[30] **Foreign Application Priority Data**

Oct. 25, 1995 [GB] United Kingdom 2051406

[51] LOC (6) Cl. **14-02**

[52] U.S. Cl. **D14/100; D14/113; D14/126; D14/133**

[58] Field of Search **D14/100, 106, D14/113, 101, 124-129; 345/104, 133, 156, 168, 173; 248/917-924; 364/237.2, 237.3**

[56] **References Cited**

U.S. PATENT DOCUMENTS

- D. 337,580 7/1993 Koo D14/126
- D. 355,646 2/1995 Yasuno et al. D14/113
- D. 359,035 6/1995 Shinano D14/113
- D. 365,557 12/1995 Starck D14/126

Primary Examiner—Freda Nunn

Attorney, Agent, or Firm—Anthony N. Magistrale

[57] **CLAIM**

The ornamental design for a personal computer system, as shown and described.

DESCRIPTION

FIG. 1 is a front elevational view of a personal computer system according to the present invention;
 FIG. 2 is a rear elevational view thereof;
 FIG. 3 is a top plan view thereof;
 FIG. 4 is a right side elevational view thereof;
 FIG. 5 is a left side elevational view thereof;
 FIG. 6 is a bottom plan view thereof; and,
 FIG. 7 is a front, top and right side perspective view thereof.

1 Claim, 7 Drawing Sheets

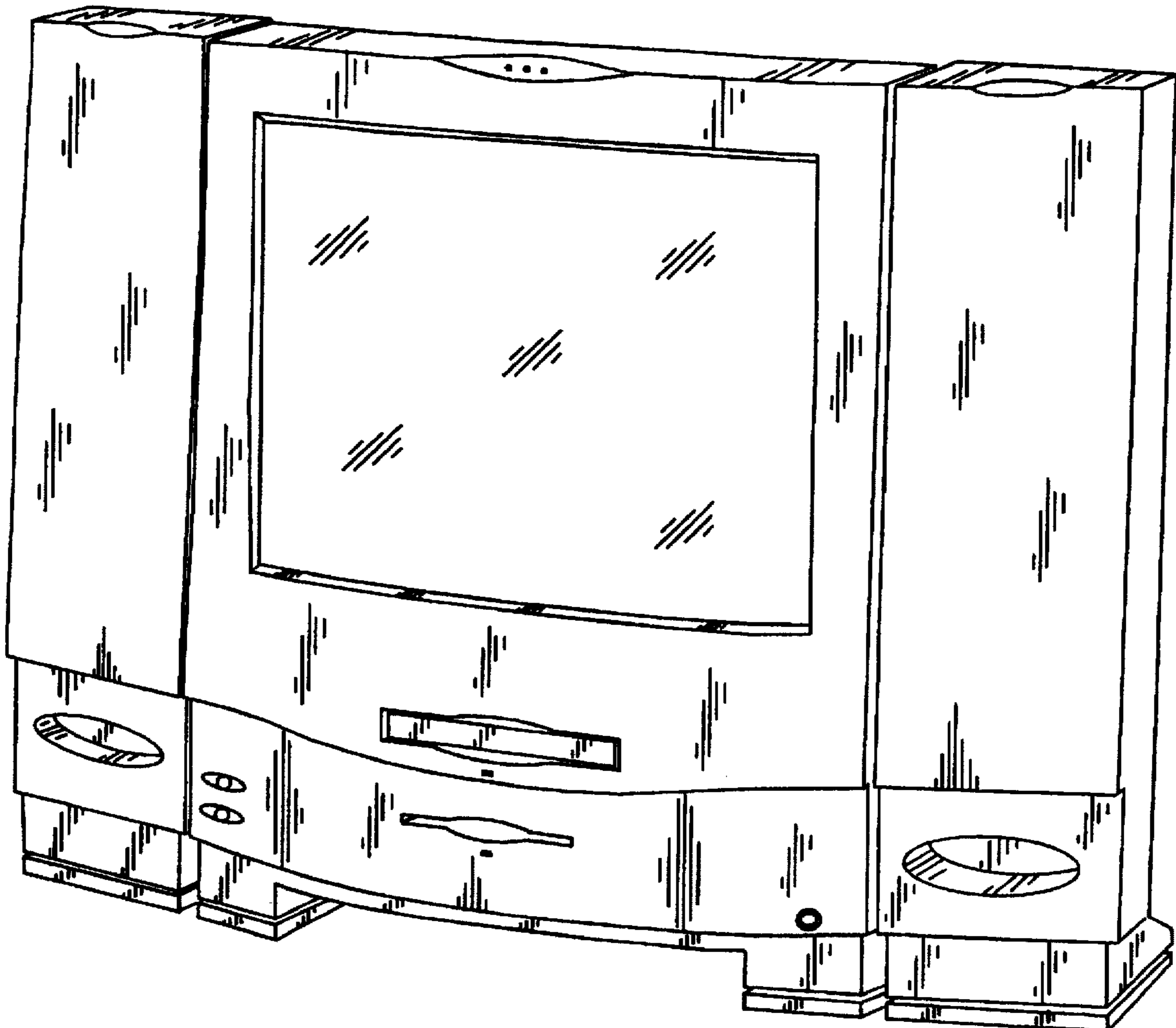


FIG. 1

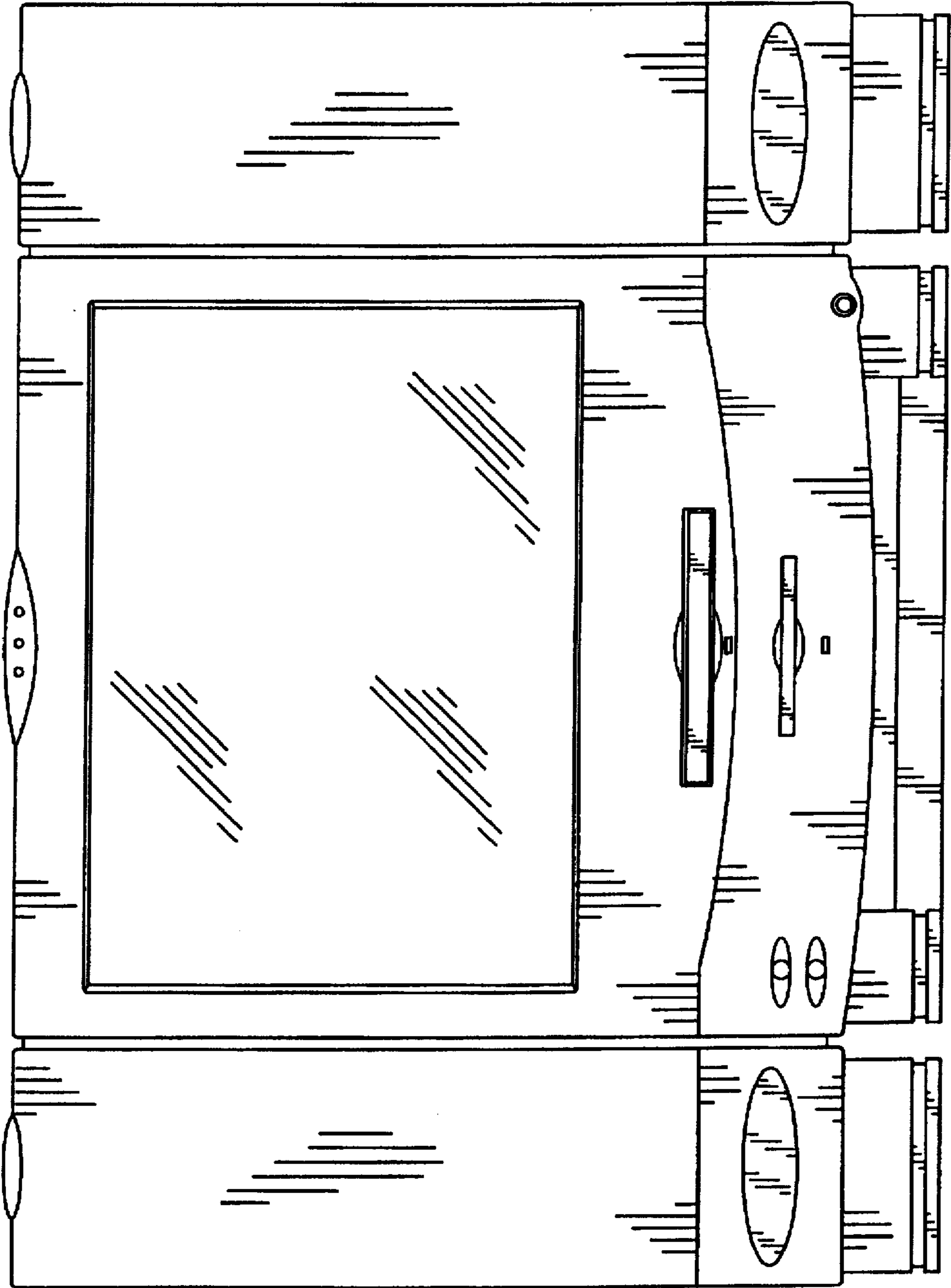


FIG. 2

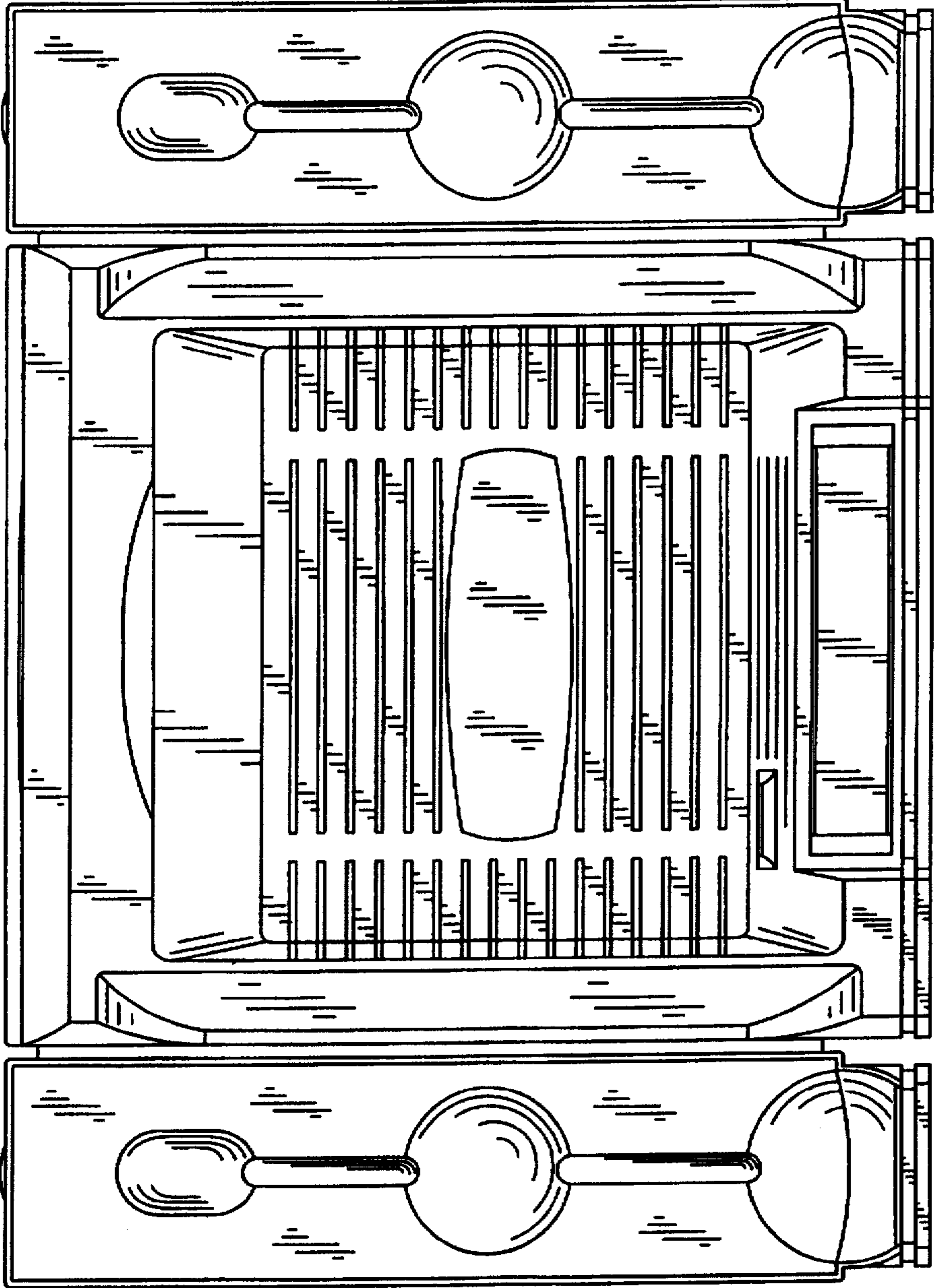


FIG. 3

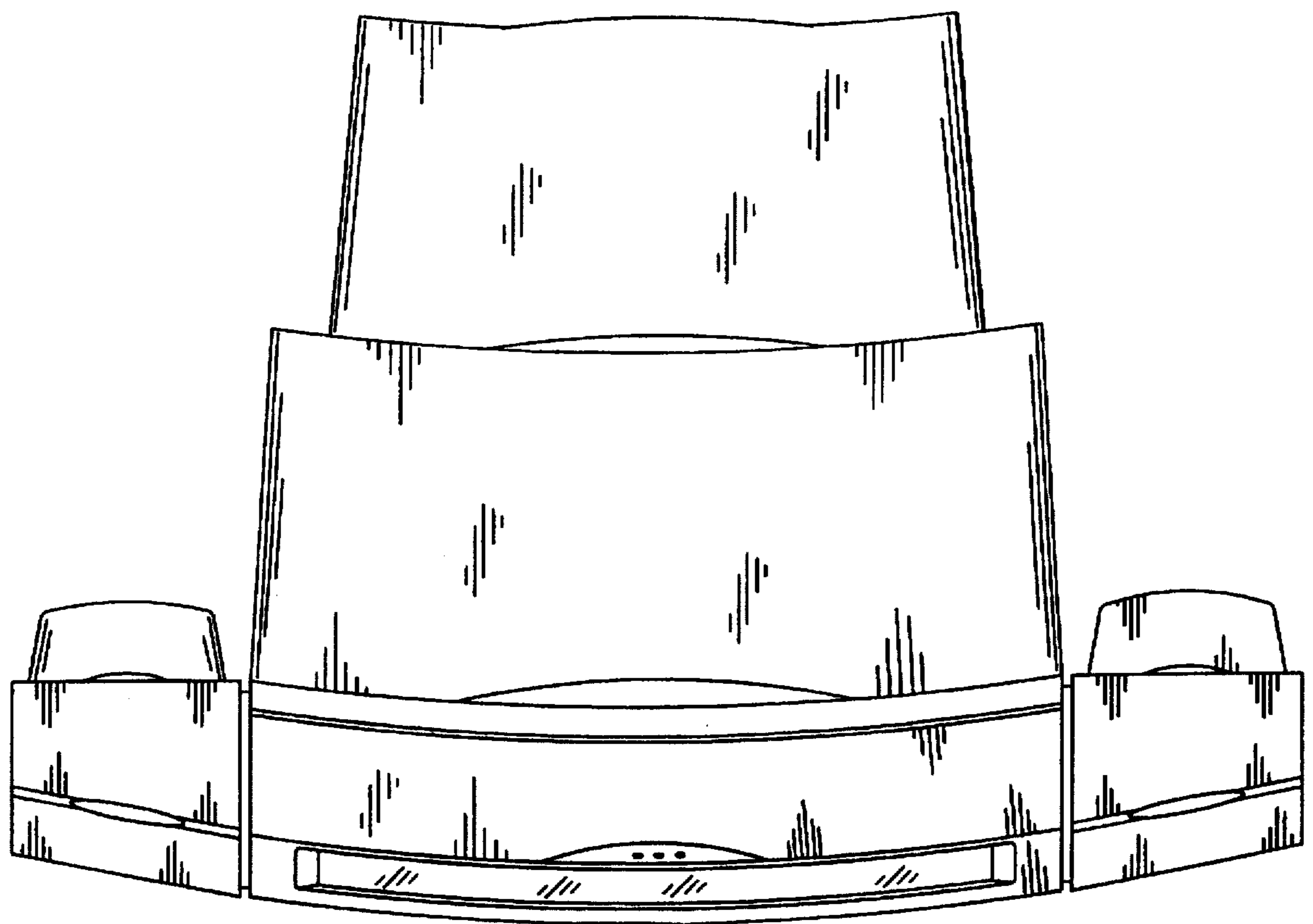


FIG. 4

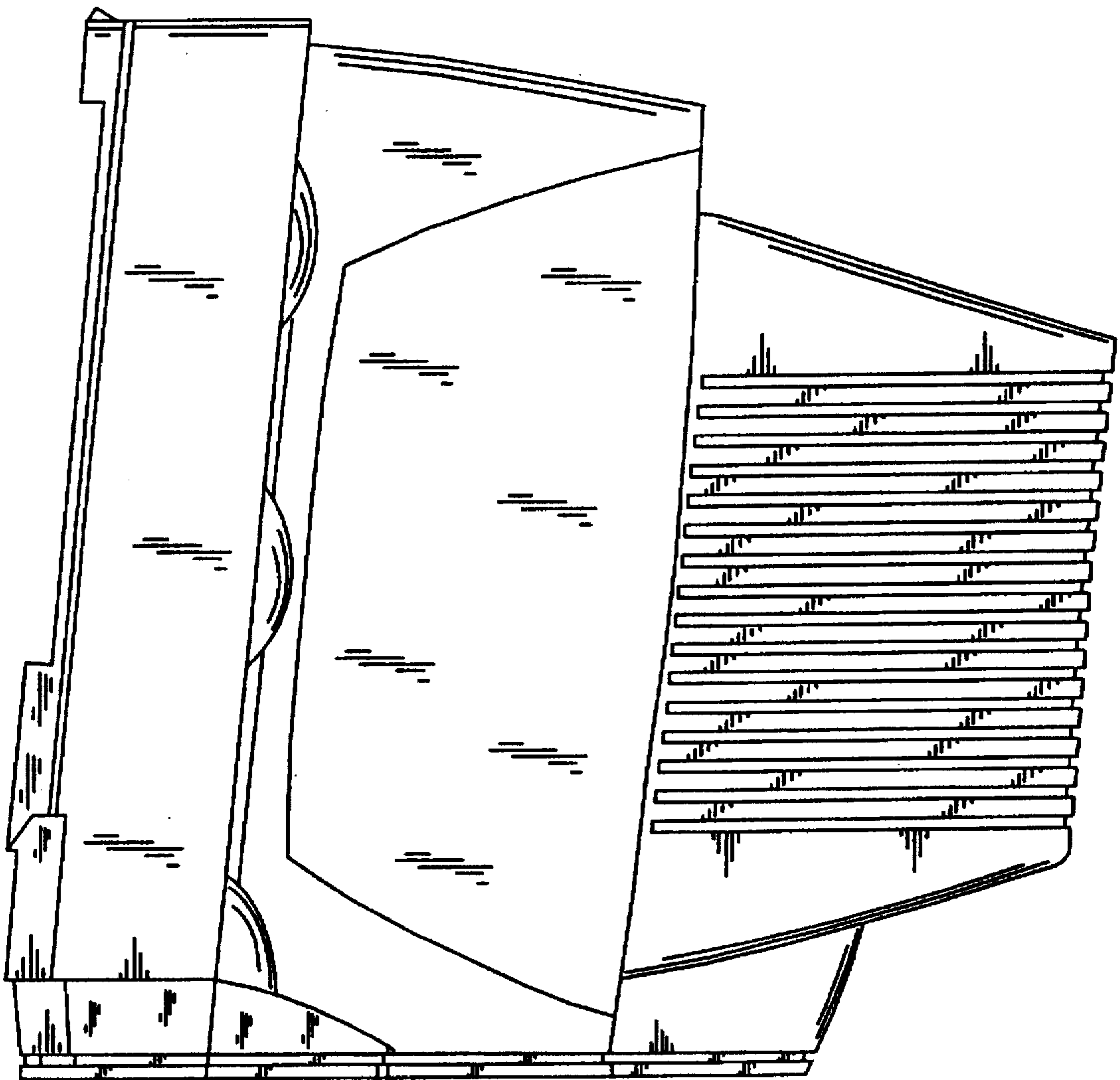


FIG. 5

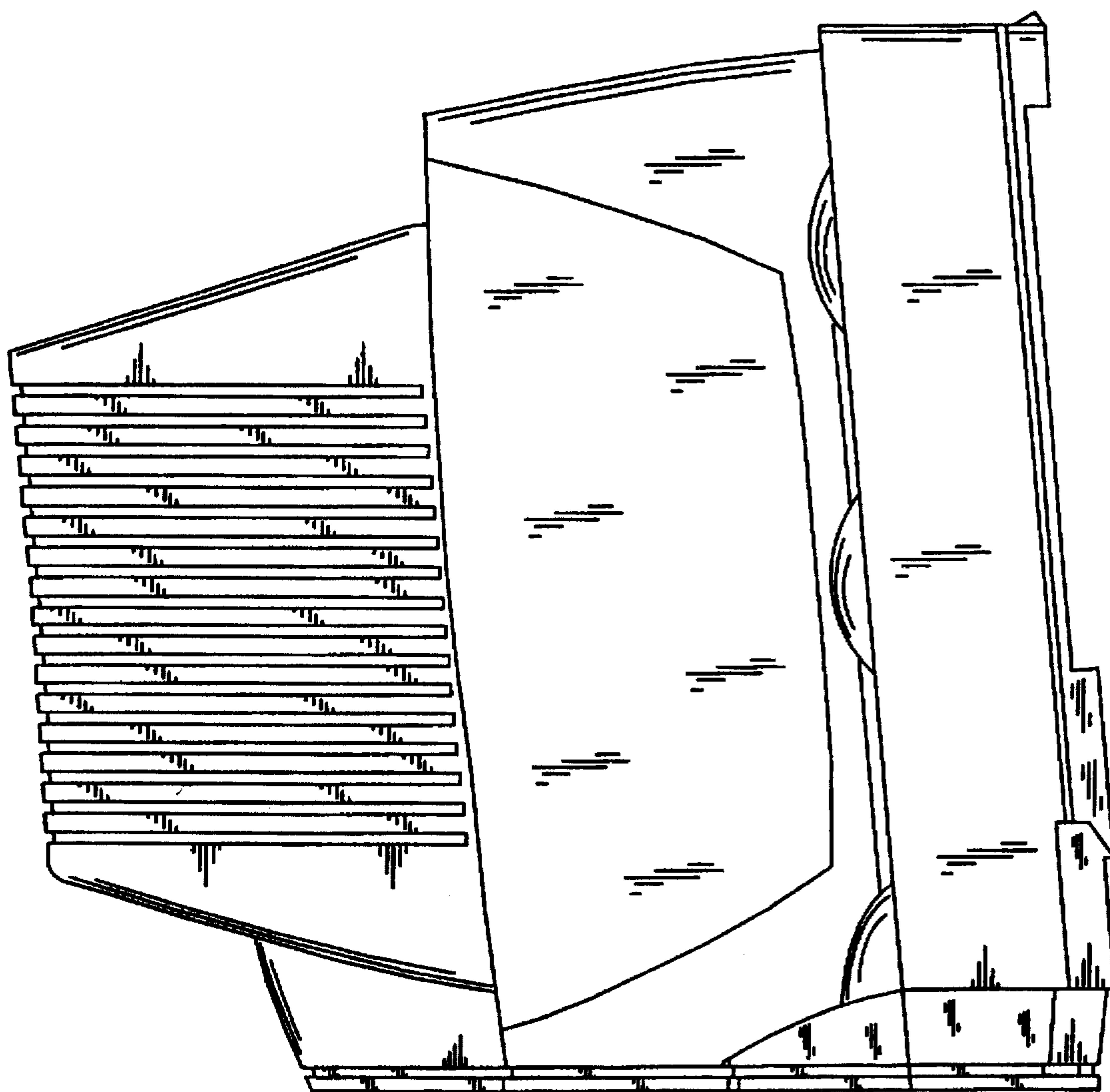


FIG. 6

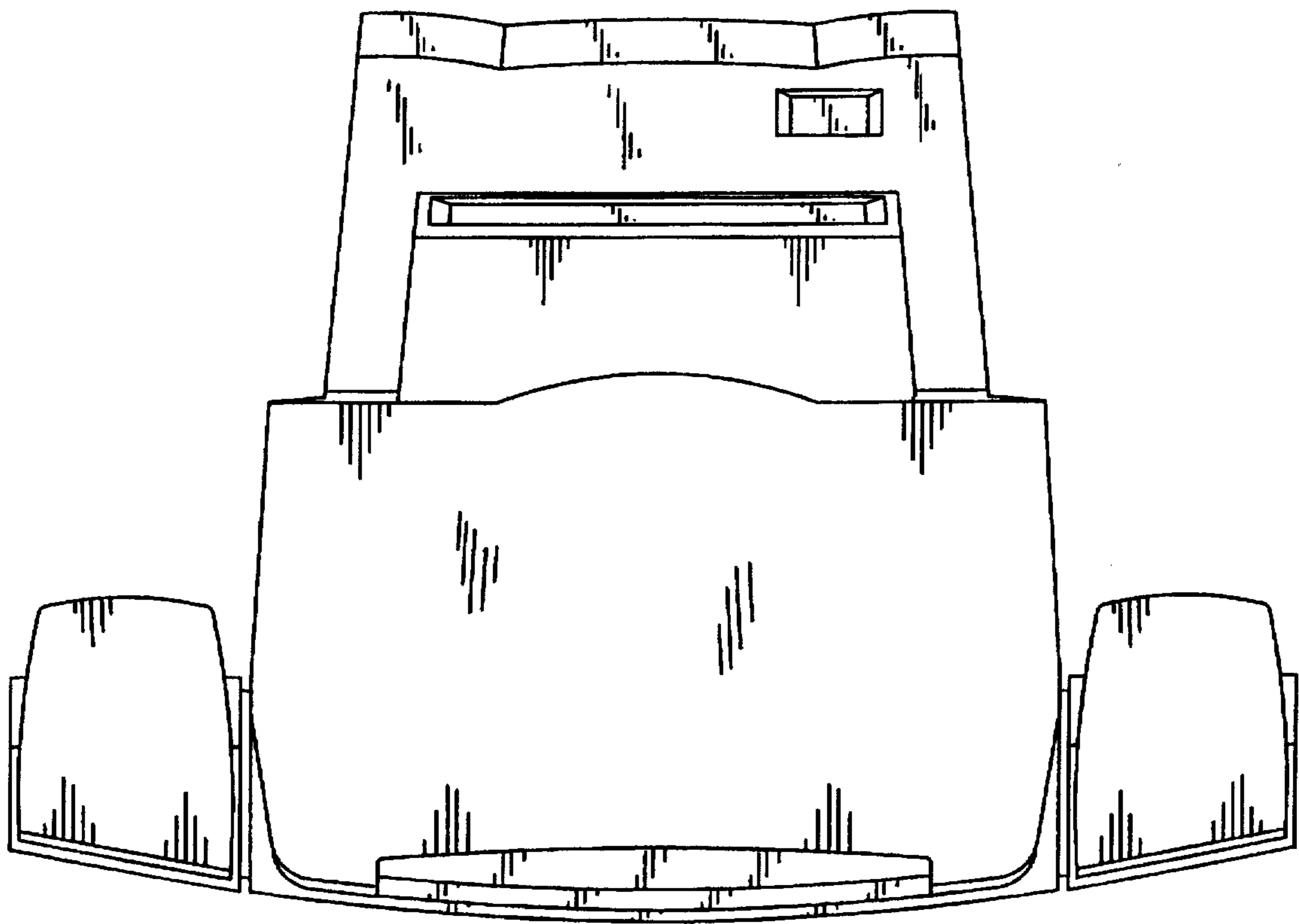


FIG.. 7

