

US00D384337S

United States Patent [19]

[11] Patent Number: **Des. 384,337**

Fraquelli et al.

[45] Date of Patent: ****Sep. 30, 1997**

[54] **DESKTOP PERSONAL COMPUTER**

[75] Inventors: **Roberto Fraquelli**, Hampstead, England; **Susan Sommers Moffatt**, Chapel Hill, N.C.; **John Alan Wiseman**, Hampshire, England

[73] Assignee: **International Business Machines Corporation**, Armonk, N.Y.

[**] Term: **14 Years**

[21] Appl. No.: **50,793**

[22] Filed: **Feb. 26, 1996**

[51] **LOC (6) Cl.** **14-02**

[52] **U.S. Cl.** **D14/100**

[58] **Field of Search** D14/100, 102, D14/107-109; D13/162, 184, 199; D6/432, 436, 445, 448; 312/208.1, 223.2, 254, 292; 360/97.01, 97.04, 98.01, 99.01, 99.12; 361/694, 696, 683

[56] **References Cited**

U.S. PATENT DOCUMENTS

- D. 364,851 12/1995 Moffatt et al. D14/100
- D. 366,029 1/1996 Moffatt et al. D14/100
- D. 366,250 1/1996 Connors et al. D14/100

Primary Examiner—Freda Nunn
Attorney, Agent, or Firm—Anthony N. Magistrale

[57] **CLAIM**

The ornamental design for a desktop personal computer, as shown and described.

DESCRIPTION

FIG. 1 is a front top and right side perspective view of a desktop personal computer according to the present invention;

FIG. 2 is a front elevational view thereof;

FIG. 3 is a rear elevational view thereof;

FIG. 4 is a left side elevational view thereof;

FIG. 5 is a right side elevational view thereof;

FIG. 6 is a top plan view thereof;

FIG. 7 is a bottom plan view thereof;

FIG. 8 is a front top and right side perspective view of a desktop personal computer according to the present invention wherein the front disk drive cover is shown in the open position;

FIG. 9 is a front elevational view of the desktop personal computer of FIG. 8;

FIG. 10 is a top plan view of the desktop personal computer of FIG. 8; and,

FIG. 11 is a bottom plan view of the desktop personal computer of FIG. 8.

1 Claim, 11 Drawing Sheets

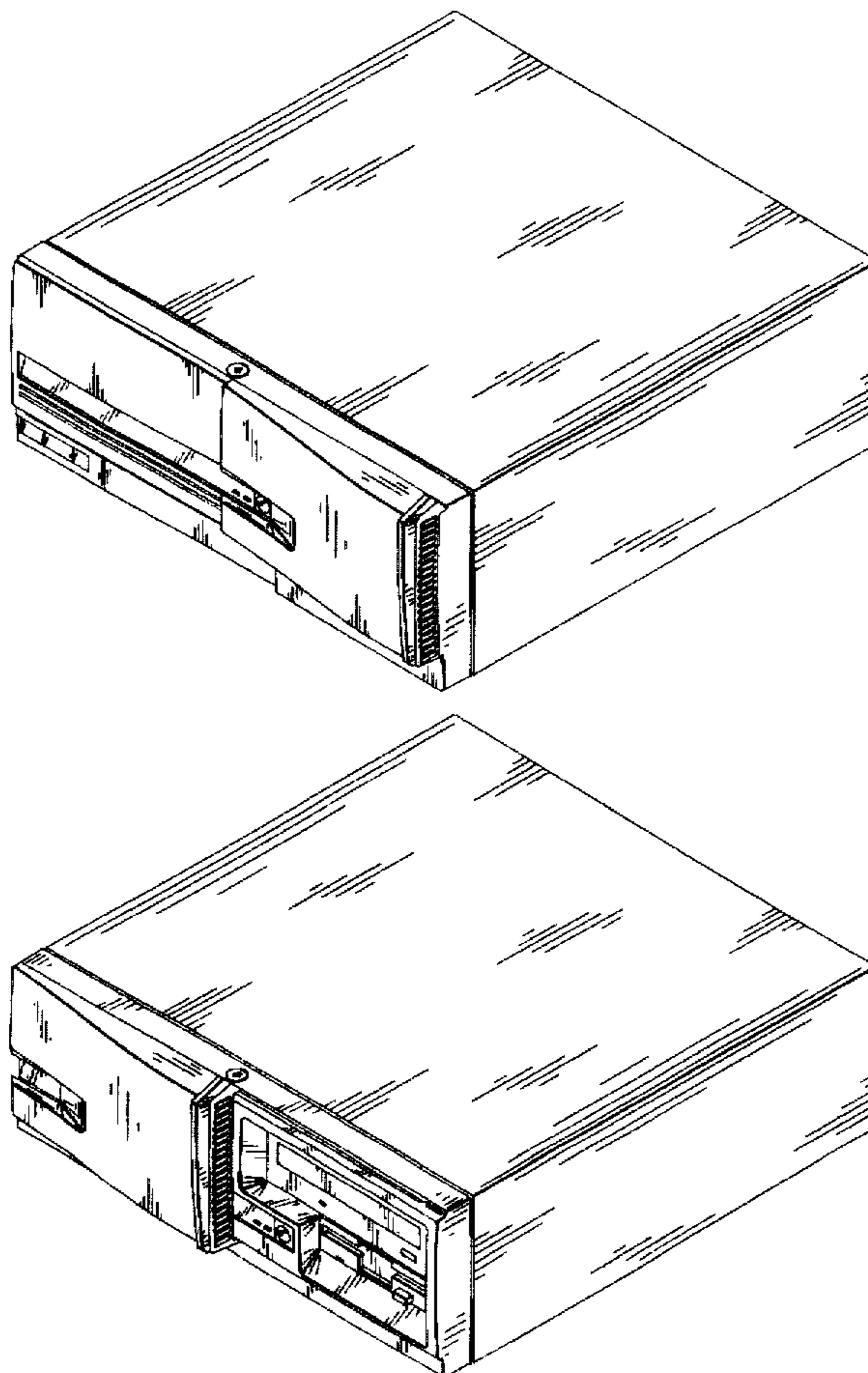


FIG. 1

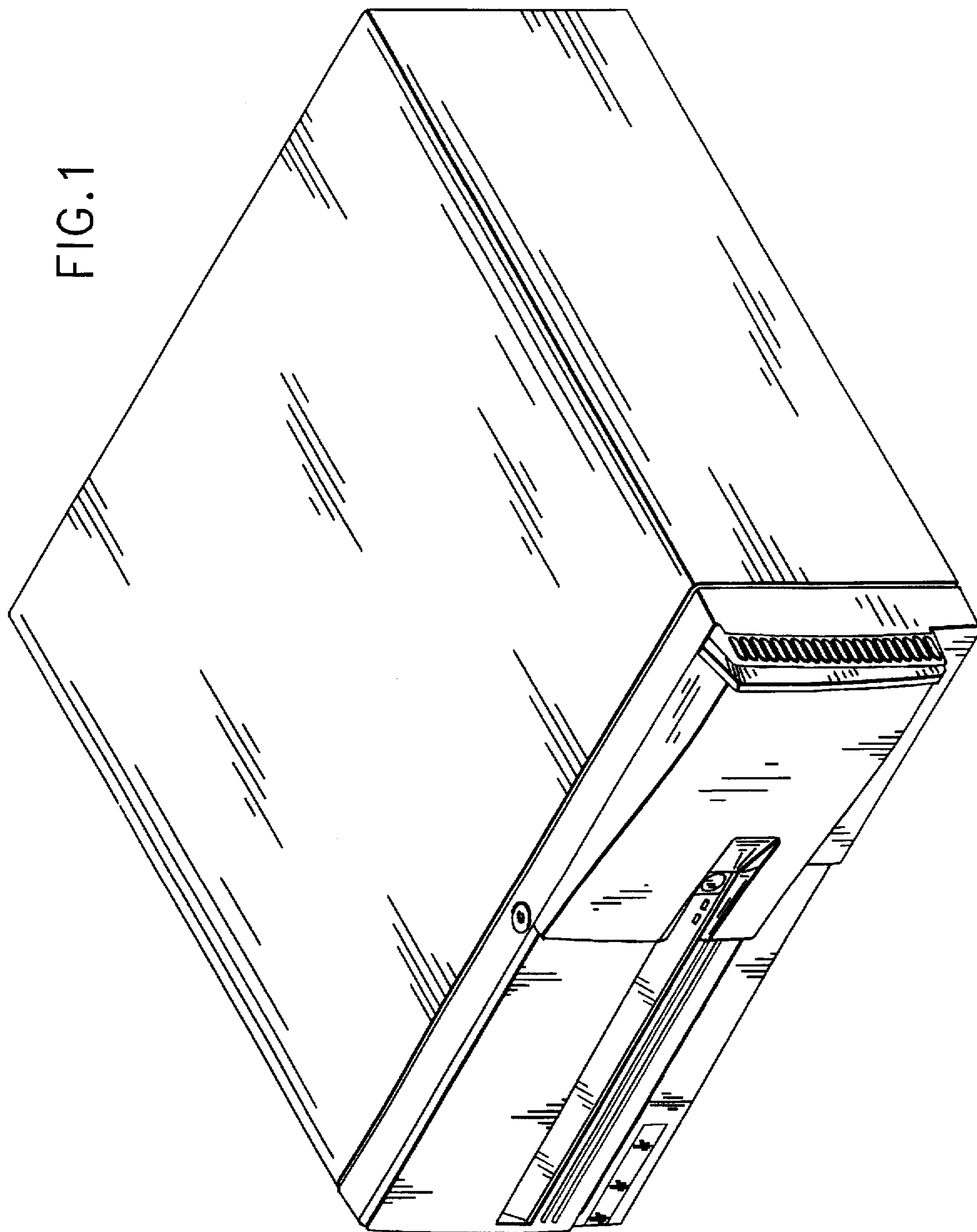


FIG. 2

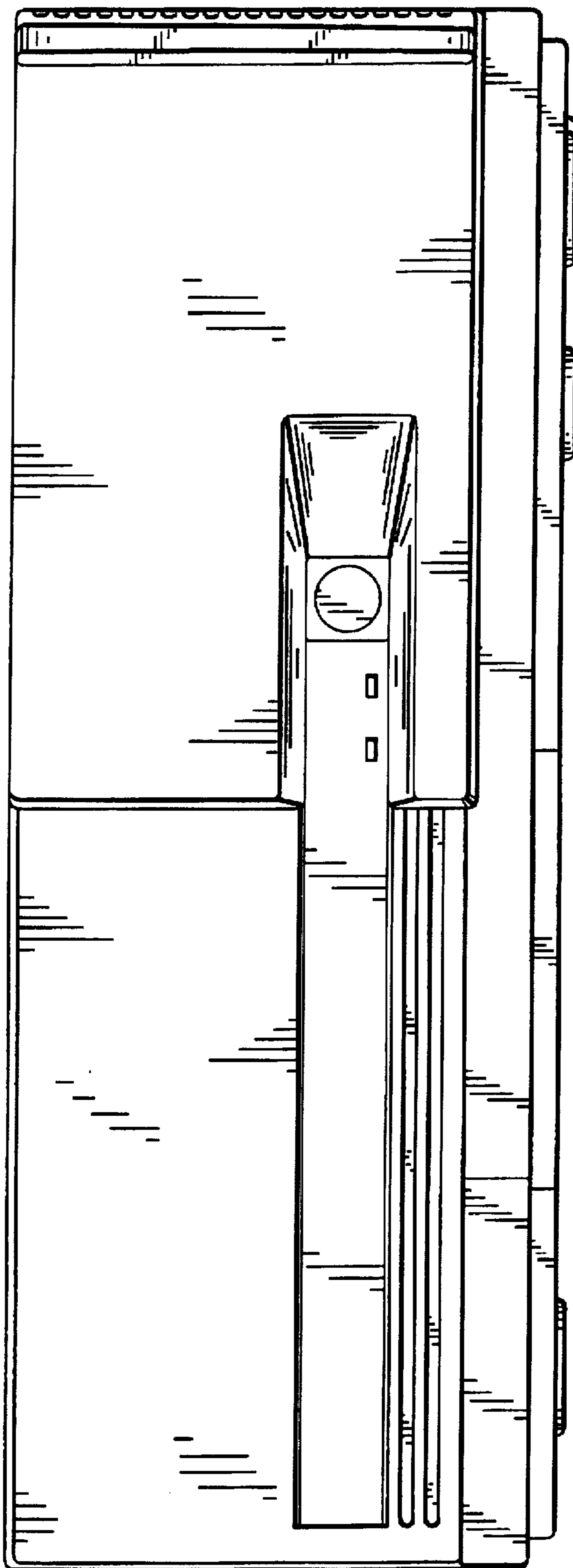


FIG. 3

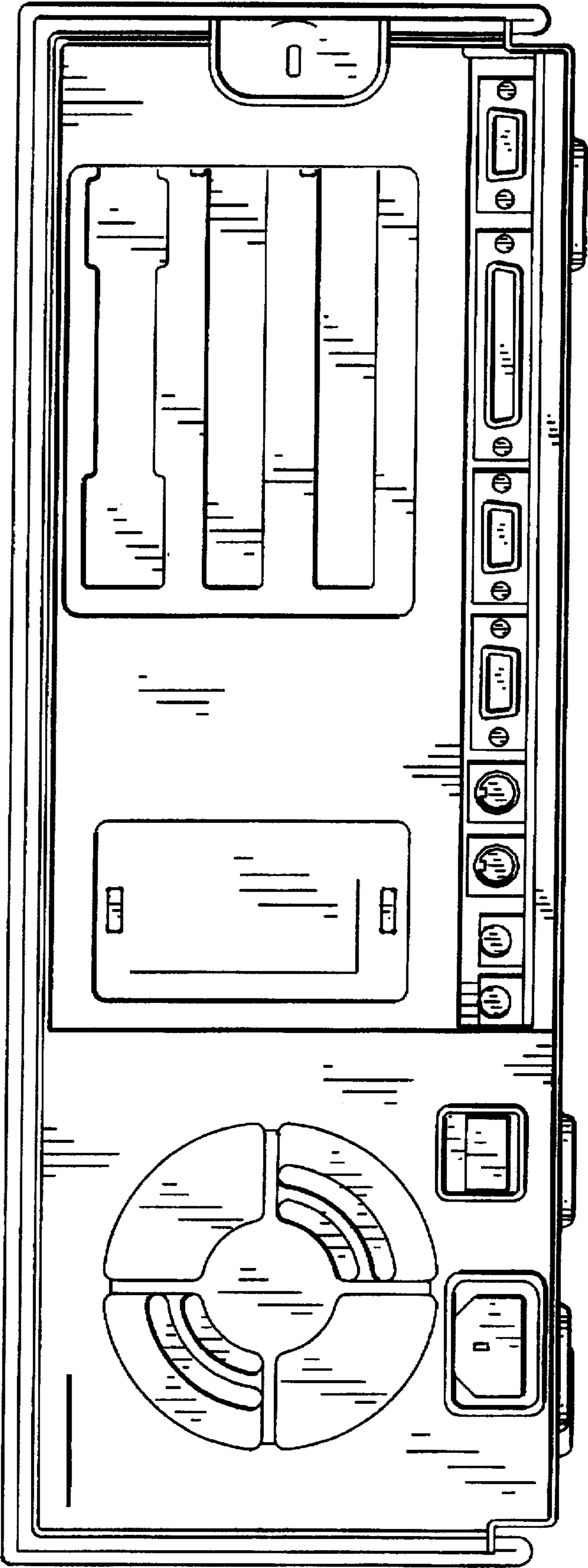


FIG. 4

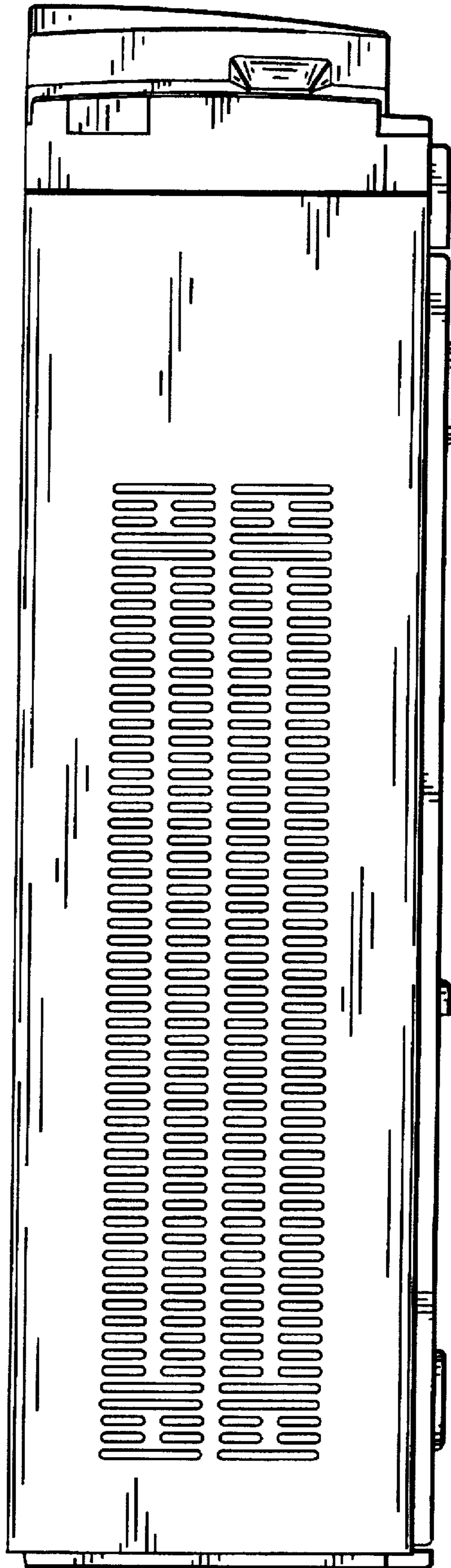


FIG. 5

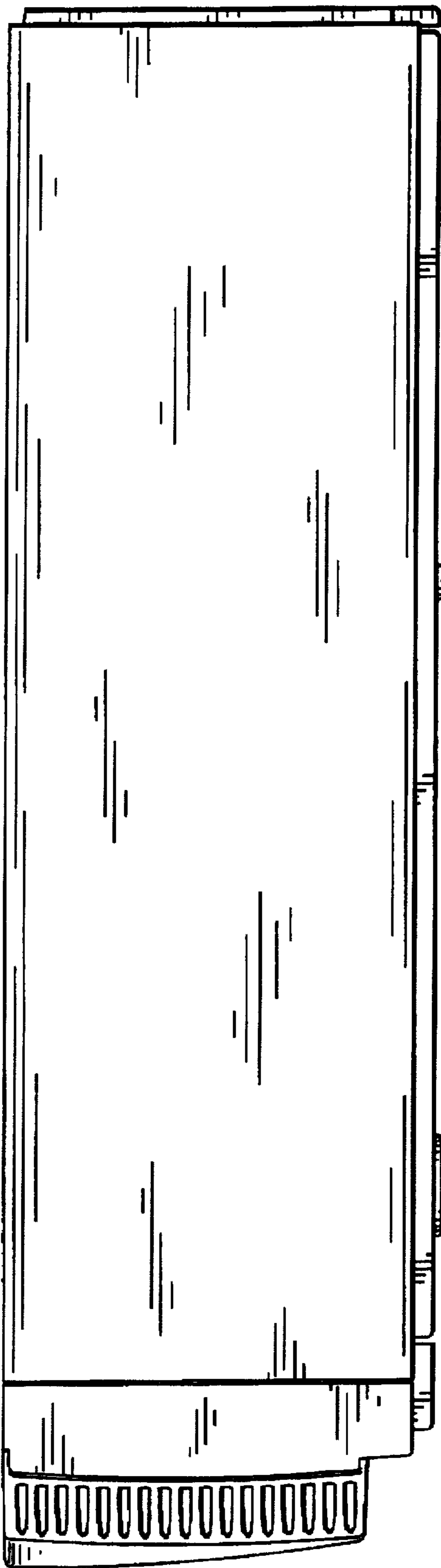


FIG. 6

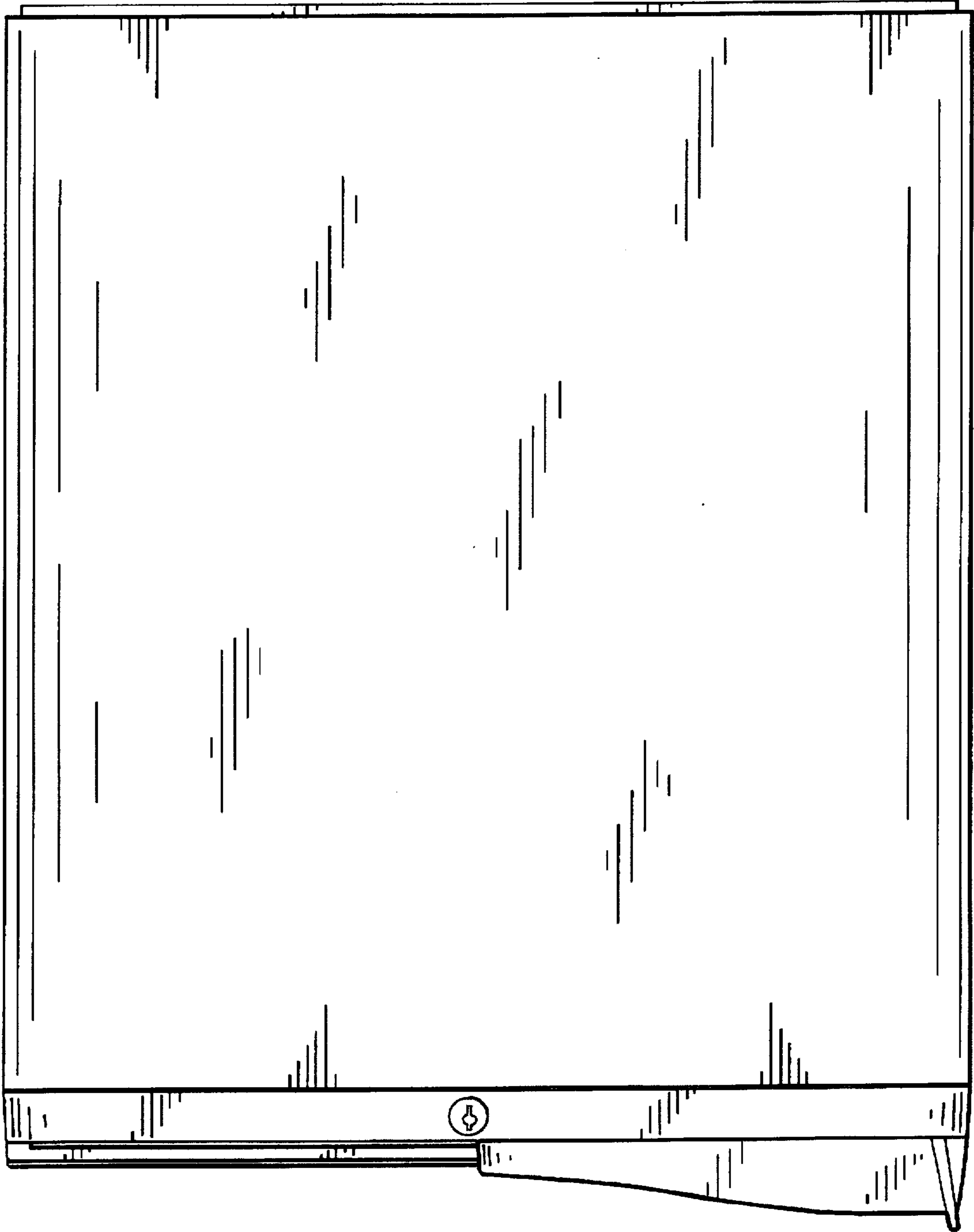


FIG. 7

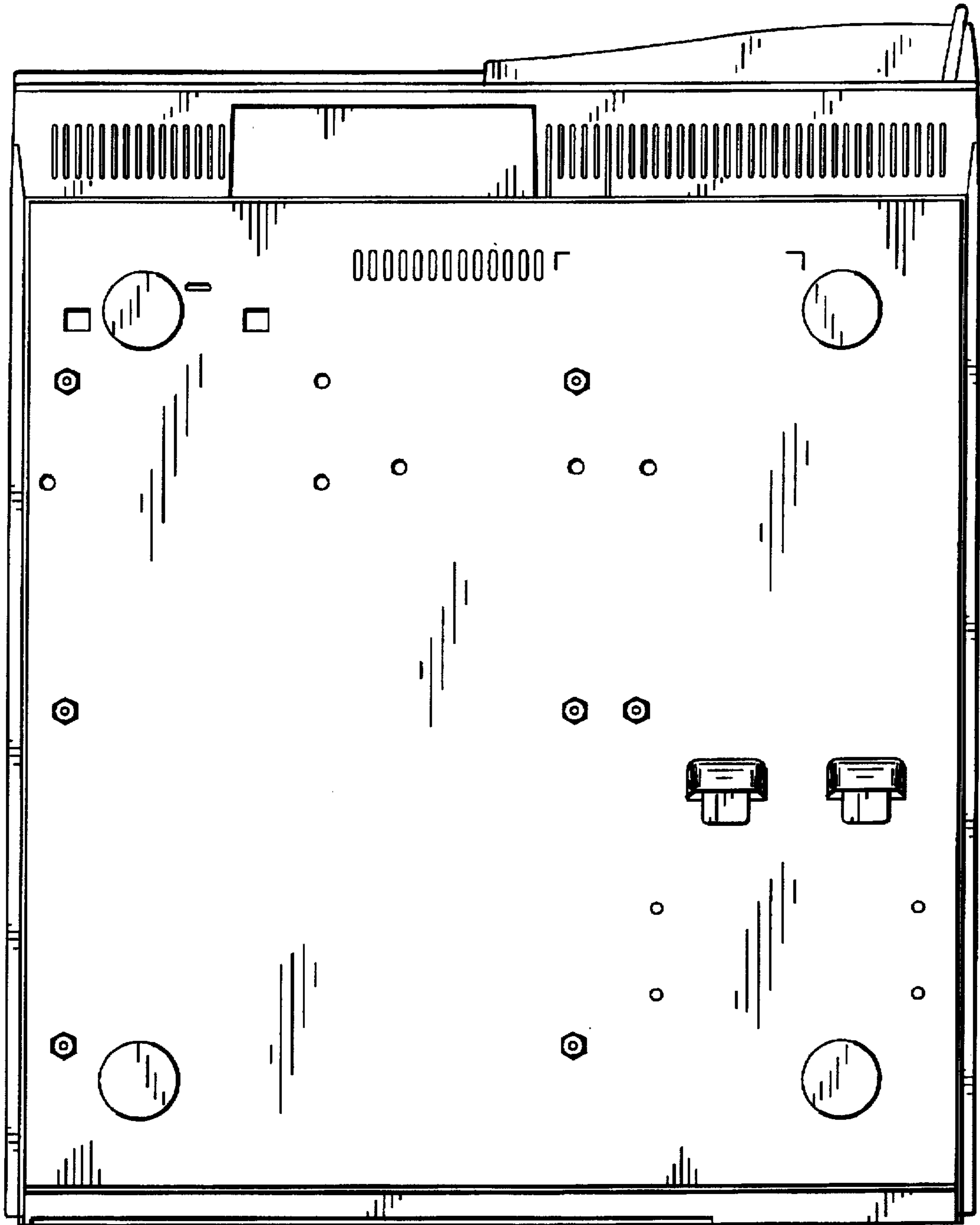


FIG. 8

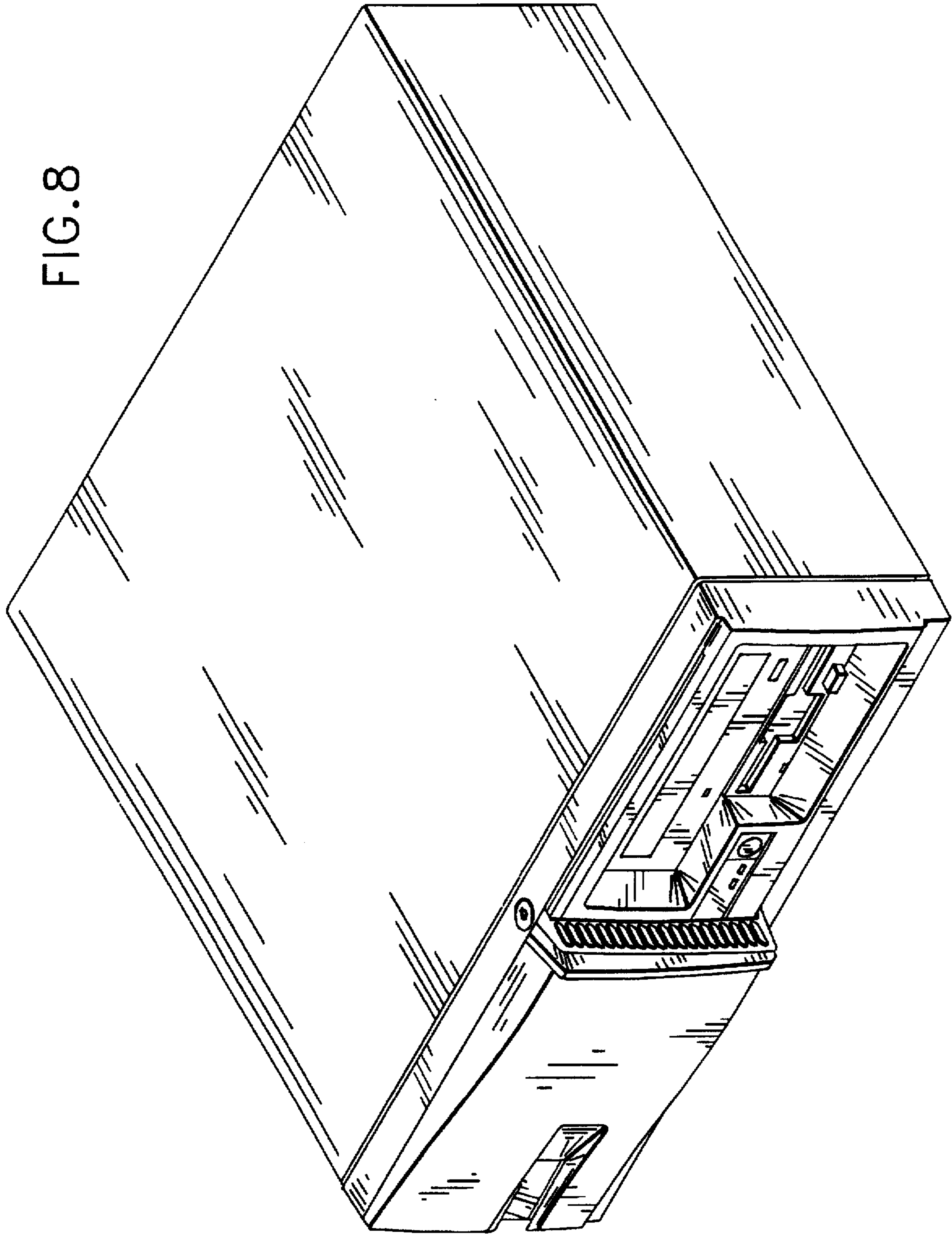


FIG. 9

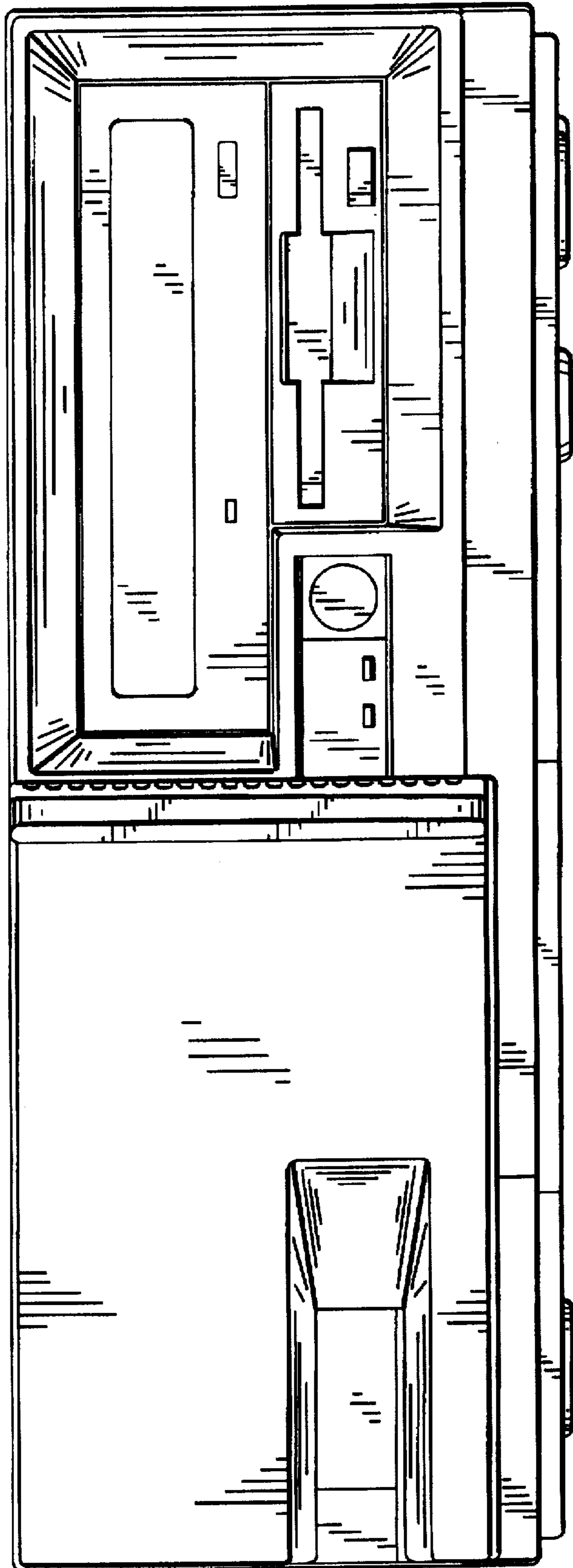


FIG. 10

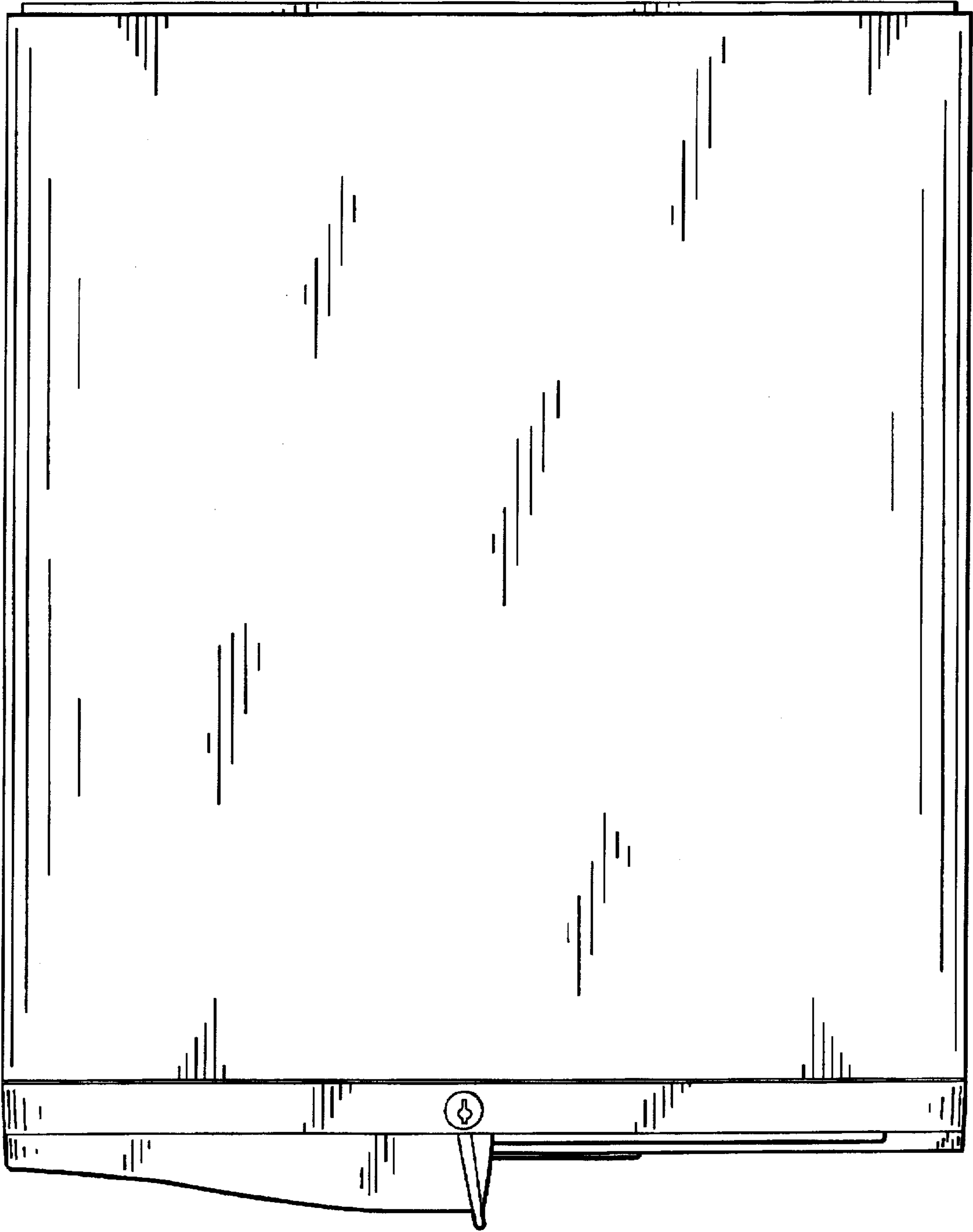


FIG. 11

