

US00D384335S

United States Patent [19]

Nelson

[11] Patent Number: Des. 384,335

[45] Date of Patent: **Sep. 30, 1997

[54] ELECTRONIC COMPONENT MOUNT

[75] Inventor: Edward I. Nelson, Plantation, Fla.

[73] Assignee: Watsco Components, Inc., Hialeah, Fla.

[**] Term: 14 Years

[21] Appl. No.: 46,438

[22] Filed: Nov. 14, 1995

[51] LOC (6) Cl. 13-99

[52] U.S. Cl. D13/184; D8/349

[58] Field of Search D13/146-147,
D13/184; 248/27.3, 500, 220.2; 174/52.1,
138 G; 361/807; D8/354, 349

[56] **References Cited**

U.S. PATENT DOCUMENTS

4,581,479 4/1986 Moore et al. 174/52.1
5,138,116 8/1992 Kabayama 174/138 G

Primary Examiner—Holly Baynham
Attorney, Agent, or Firm—Holland & Knight

[57] **CLAIM**

The ornamental design of an electronic component mount, as shown and described.

DESCRIPTION

FIG. 1 is a perspective view of my ornamental design for an electronic component mount;

FIG. 2 is a reduced scale top plan view thereof;

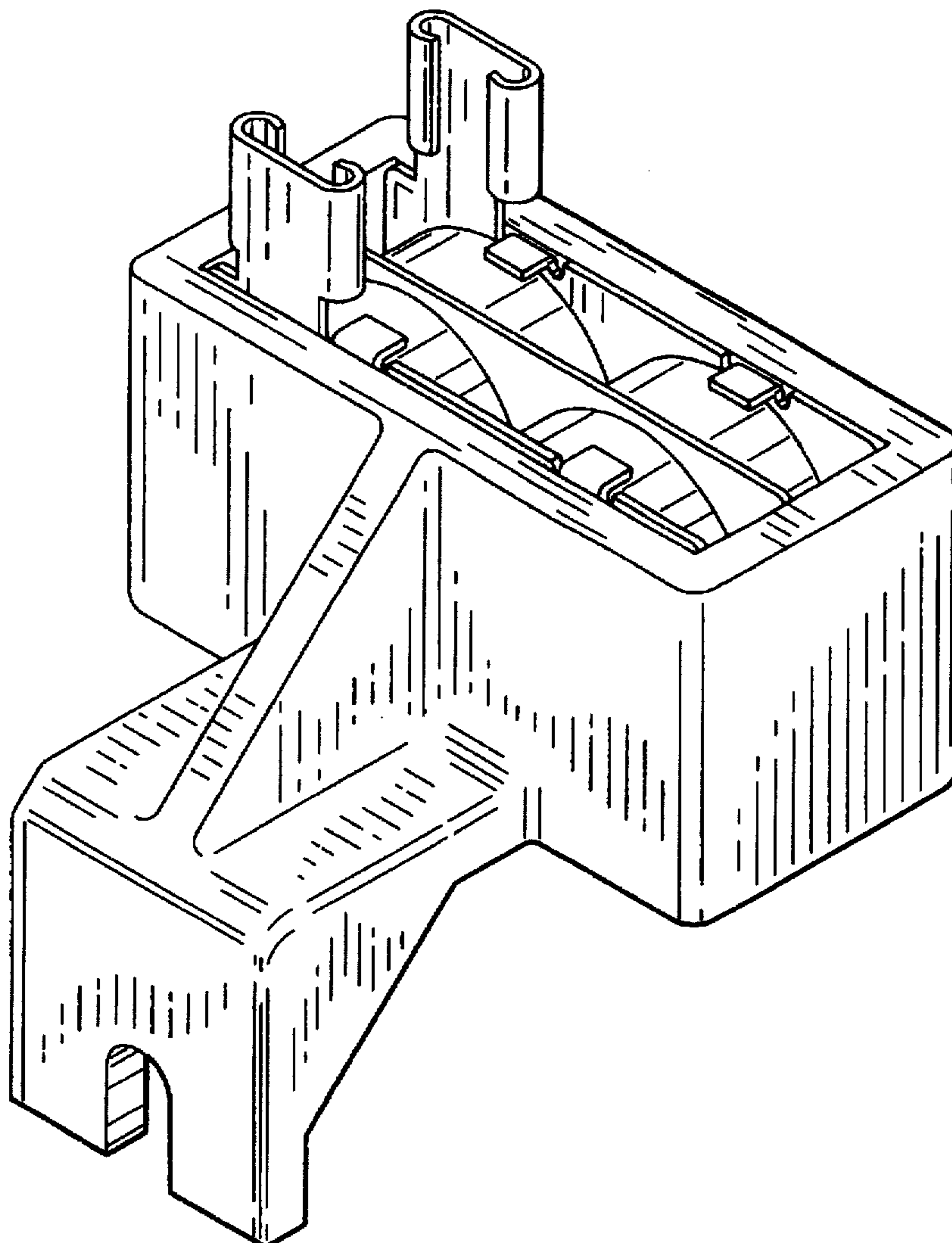
FIG. 3 is a front elevational view thereof;

FIG. 4 is a side elevational view thereof;

FIG. 5 is a bottom plan view thereof; and,

FIG. 6 is a rear elevational view thereof.

1 Claim, 2 Drawing Sheets



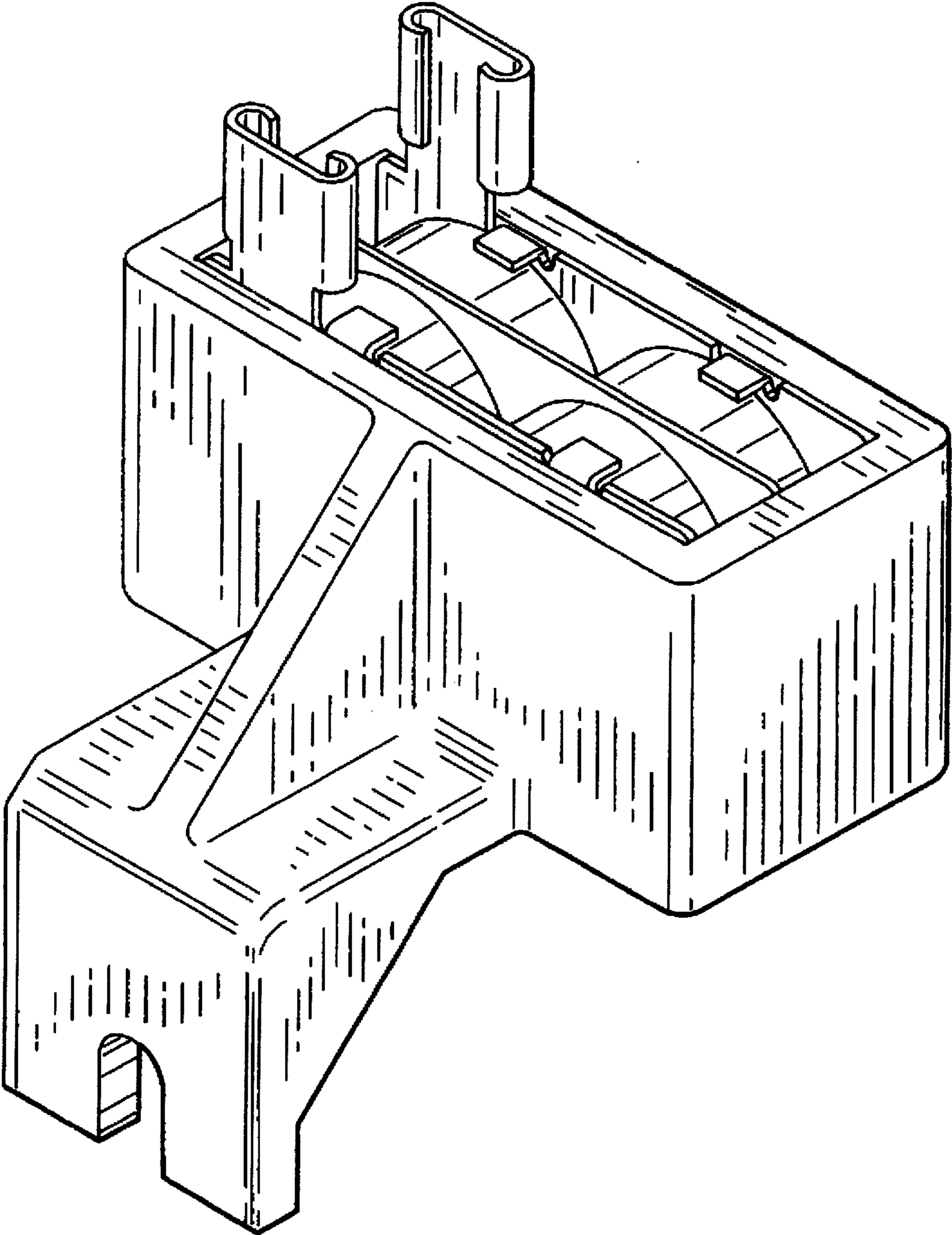


Fig. 1

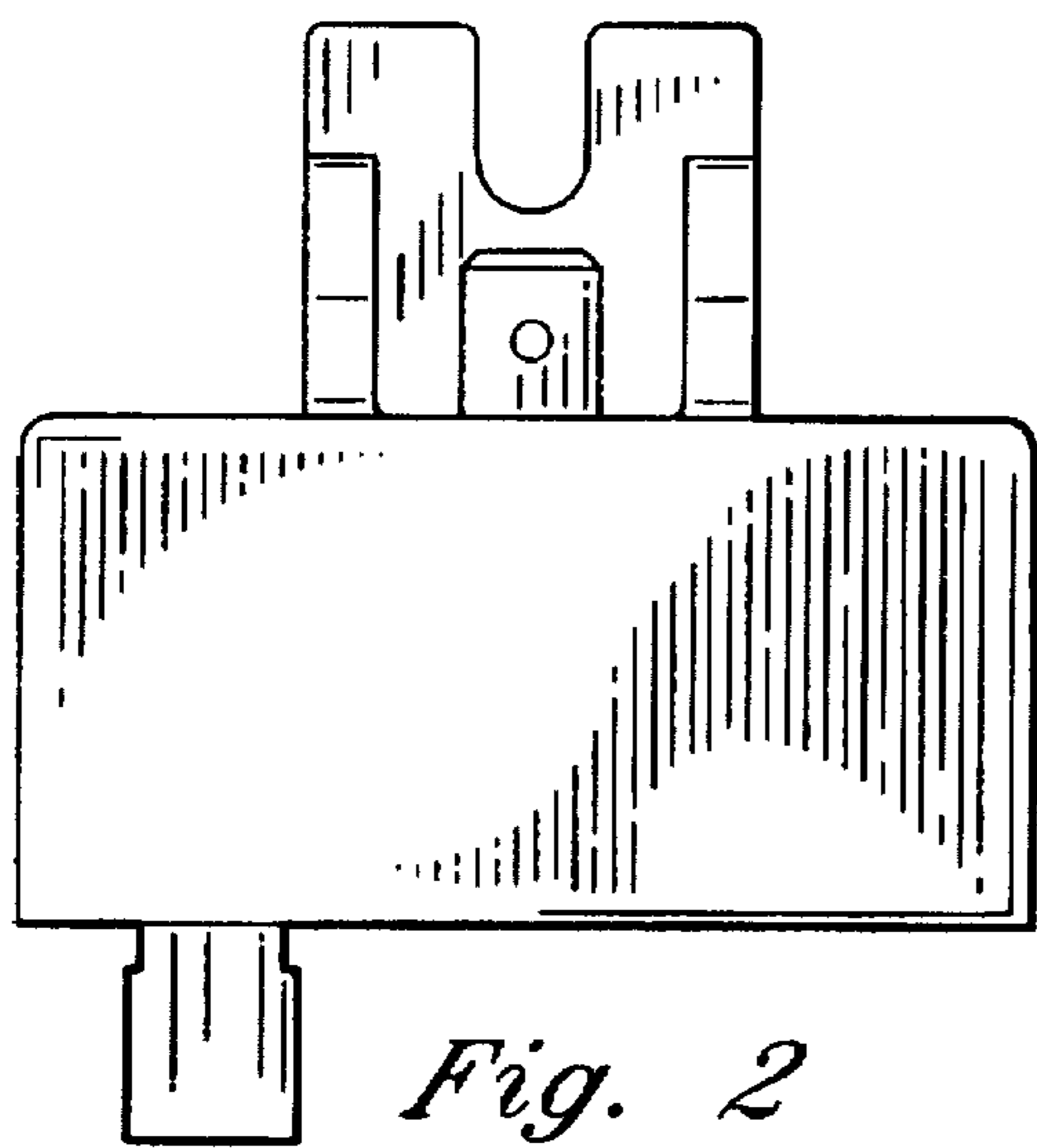


Fig. 2

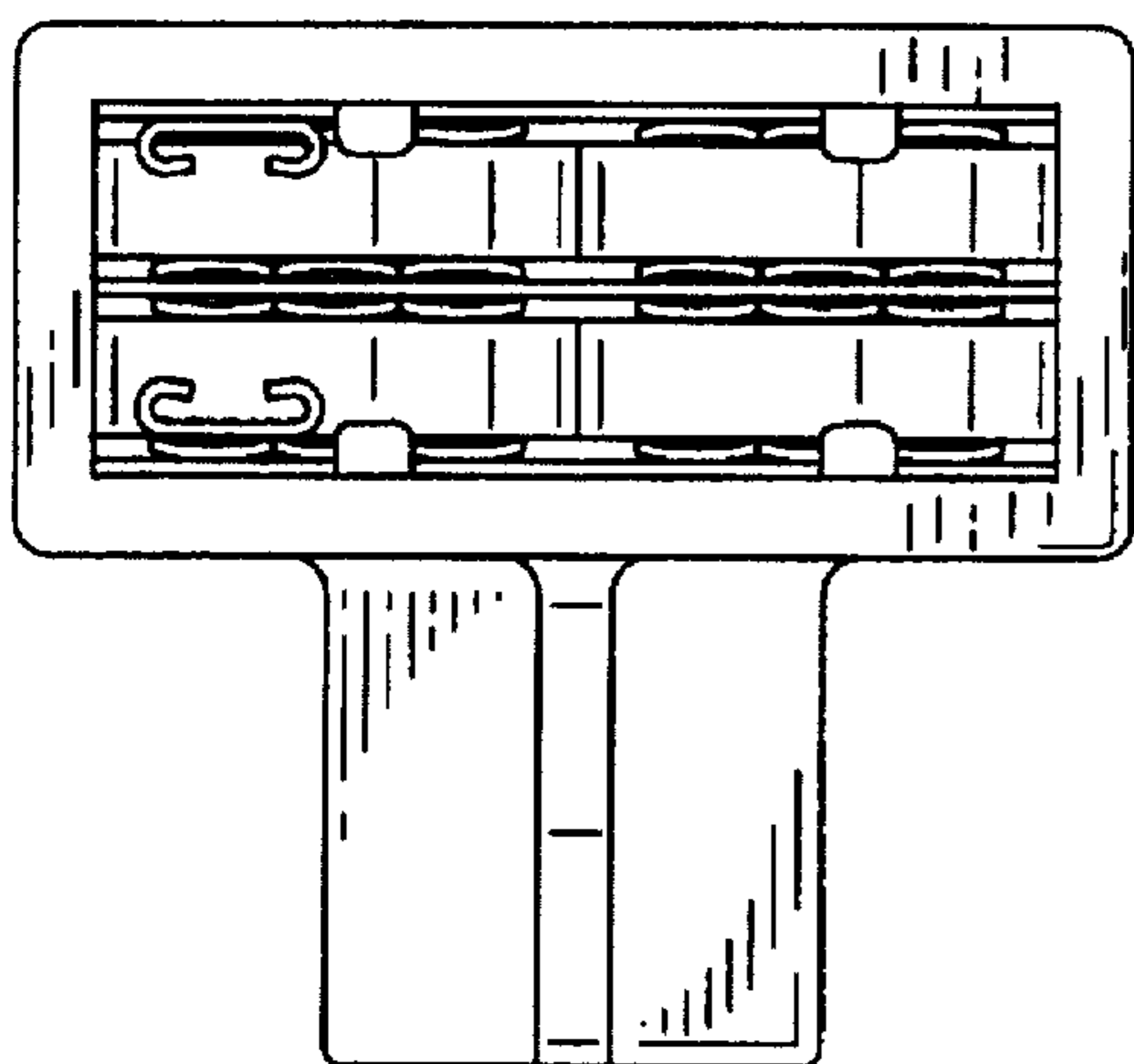


Fig. 3

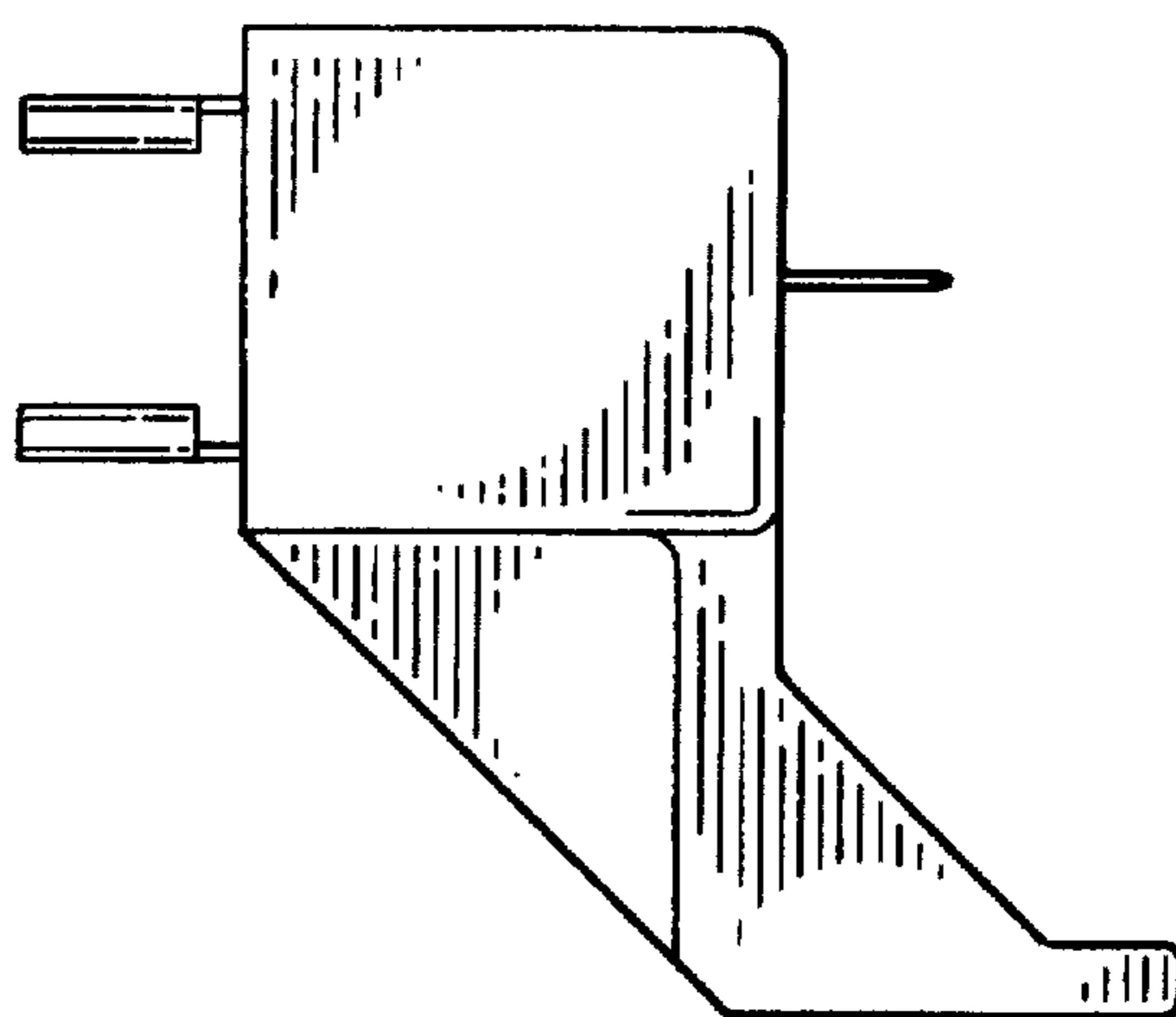


Fig. 4

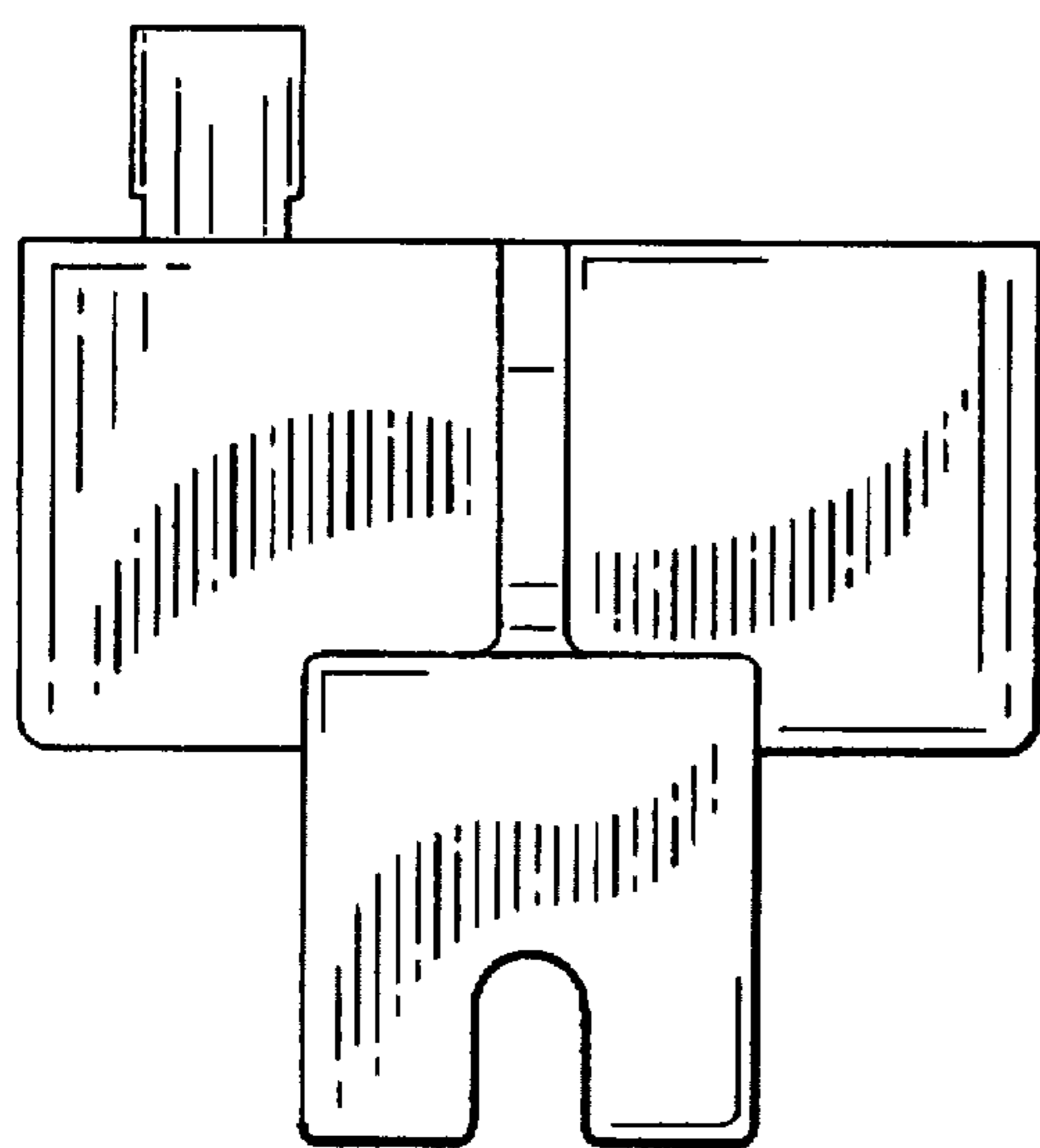


Fig. 5

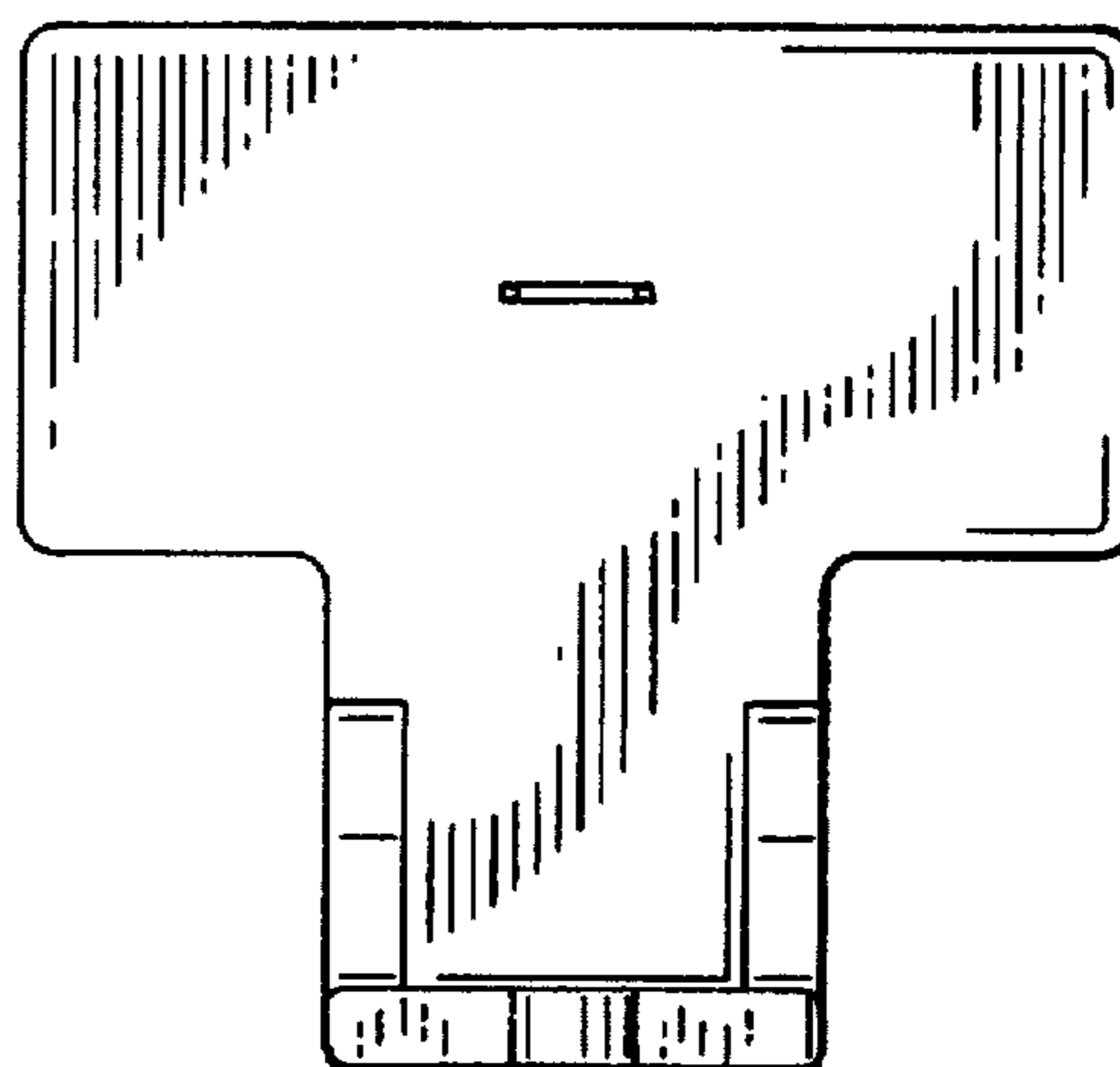


Fig. 6