



US00D384334S

**United States Patent** [19]  
**Nelson**

[11] **Patent Number: Des. 384,334**  
[45] **Date of Patent: \*\*Sep. 30, 1997**

[54] **ELECTRONIC COMPONENT MOUNT**

[75] **Inventor: Edward I. Nelson, Plantation, Fla.**

[73] **Assignee: Watsco Components, Inc., Hialeah, Fla.**

[\*\*] **Term: 14 Years**

[21] **Appl. No.: 46,436**

[22] **Filed: Nov. 14, 1995**

[51] **LOC (6) Cl. .... 13-99**

[52] **U.S. Cl. .... D13/184; D8/349**

[58] **Field of Search .... D13/146-147,  
D13/184; 248/27.3, 500, 220.2; 174/52.1,  
138 G; 361/807**

[56] **References Cited**

**U.S. PATENT DOCUMENTS**

4,581,479 4/1986 Moore et al. .... 174/52.1  
5,138,116 8/1992 Kabayama .... 174/138 G

*Primary Examiner*—Holly Baynham  
*Attorney, Agent, or Firm*—Holland & Knight

[57] **CLAIM**

The ornamental design of an electronic component mount, as shown and described.

**DESCRIPTION**

FIG. 1 is a perspective view of my ornamental design for an electronic component mount;

FIG. 2 is a reduced scale front elevational view thereof;

FIG. 3 is a a left side elevational view thereof;

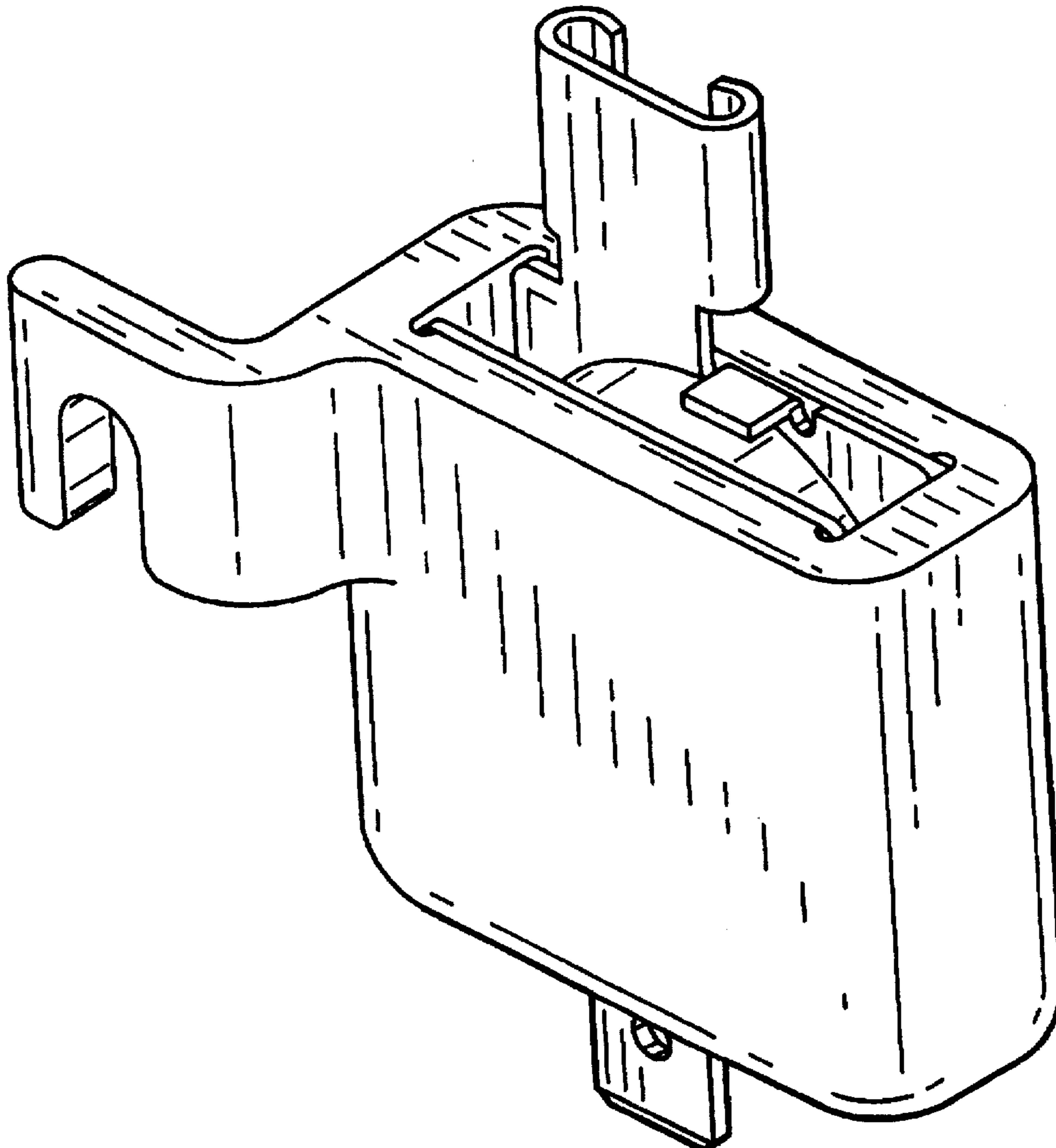
FIG. 4 is a bottom plan view thereof;

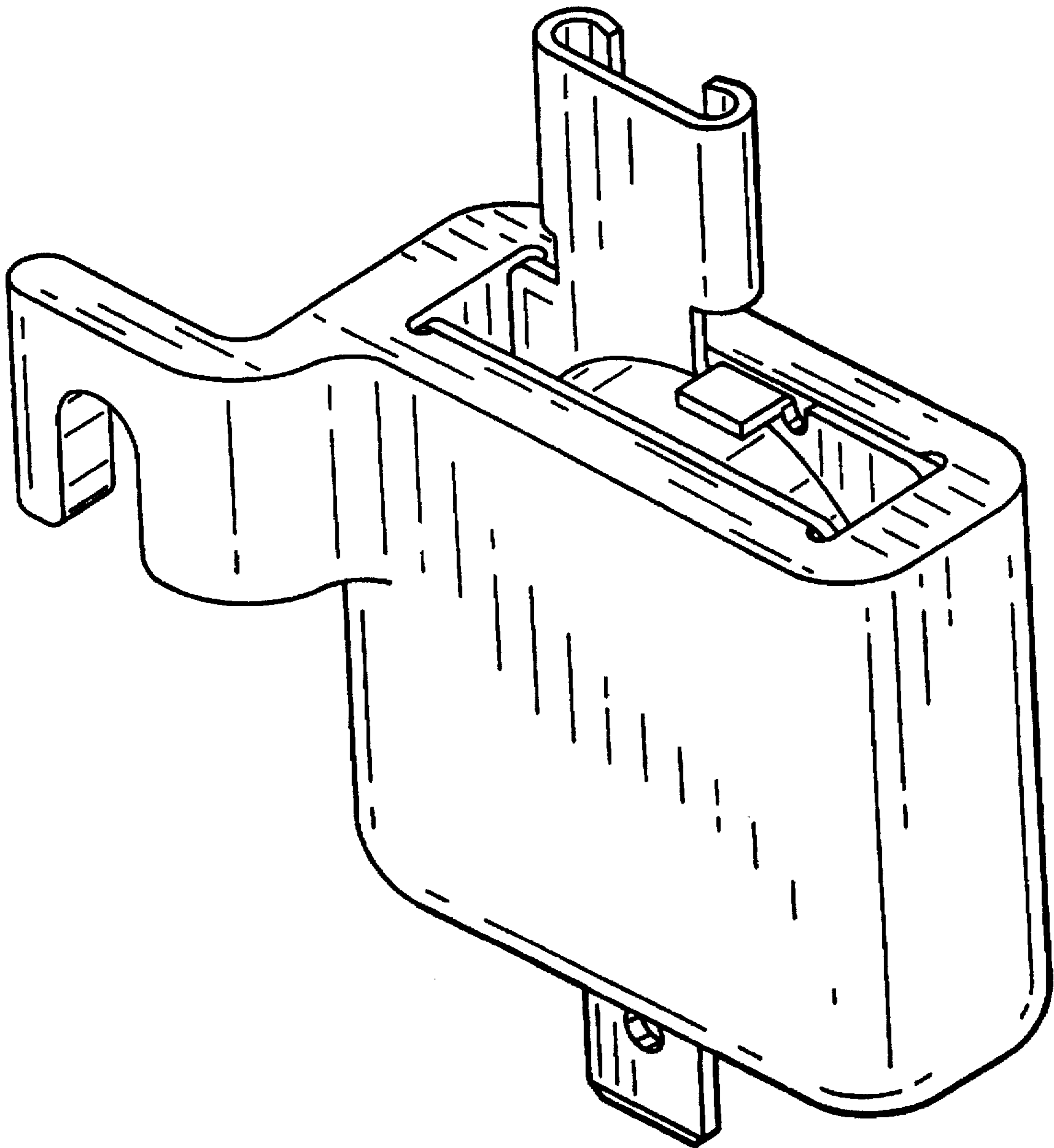
FIG. 5 is a right side elevational view thereof;

FIG. 6 is a rear elevational view thereof; and,

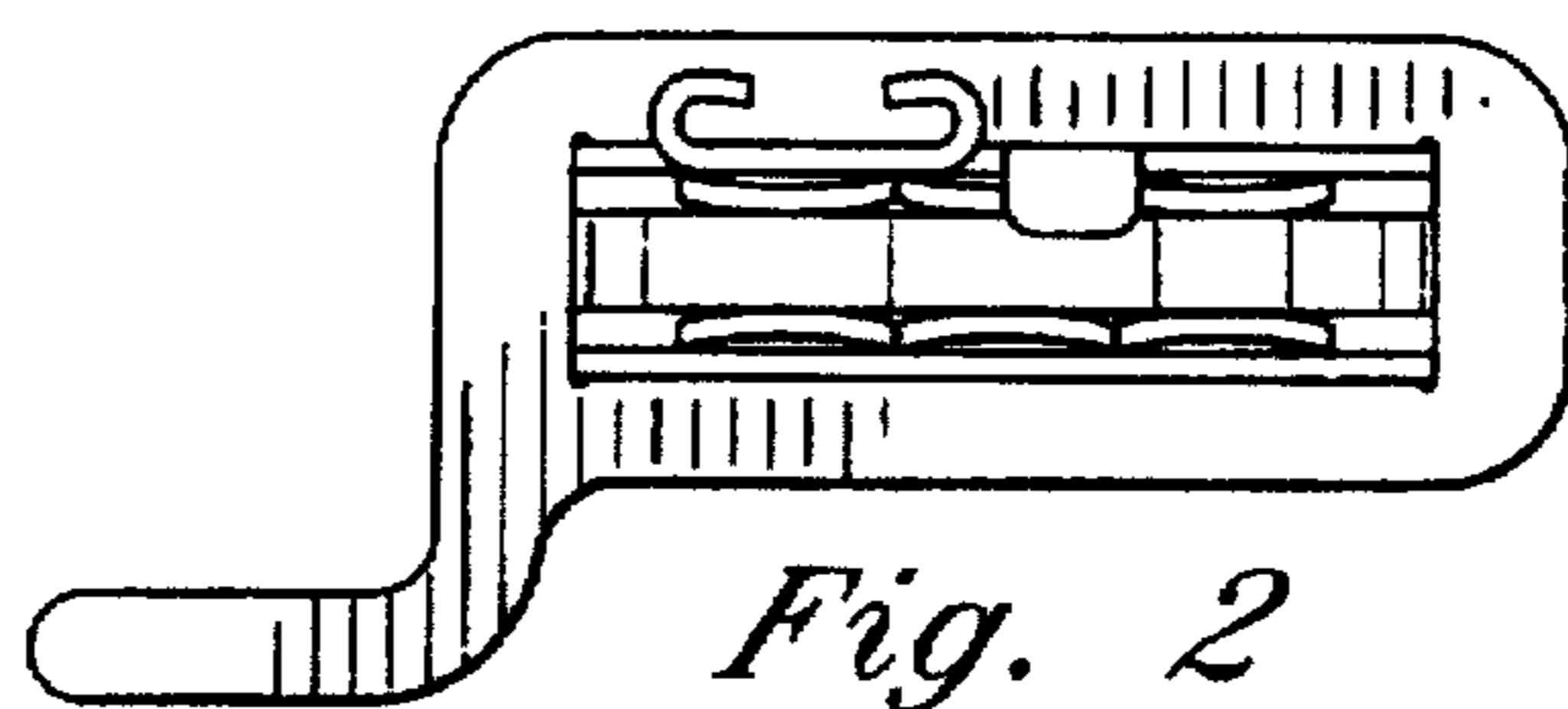
FIG. 7 is a top plan view thereof.

**1 Claim, 2 Drawing Sheets**

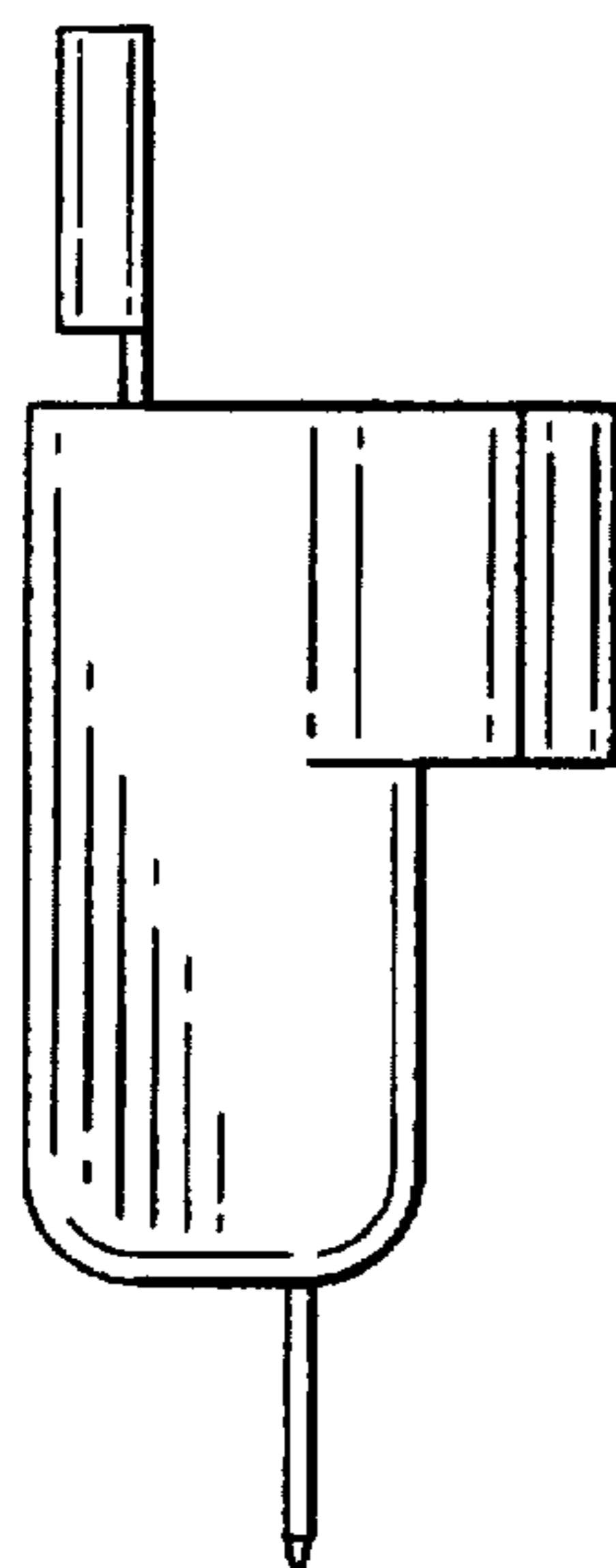




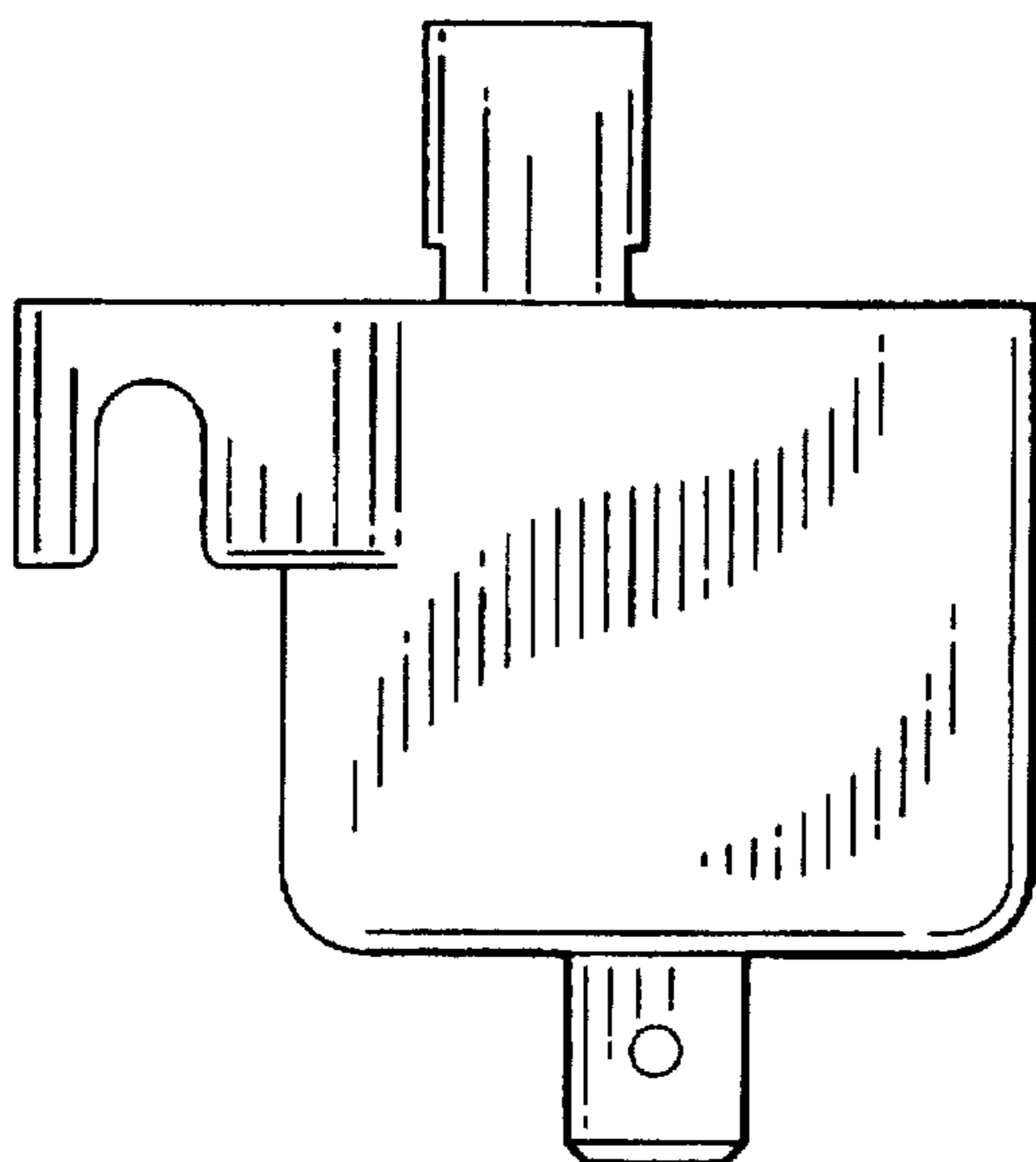
*Fig. 1*



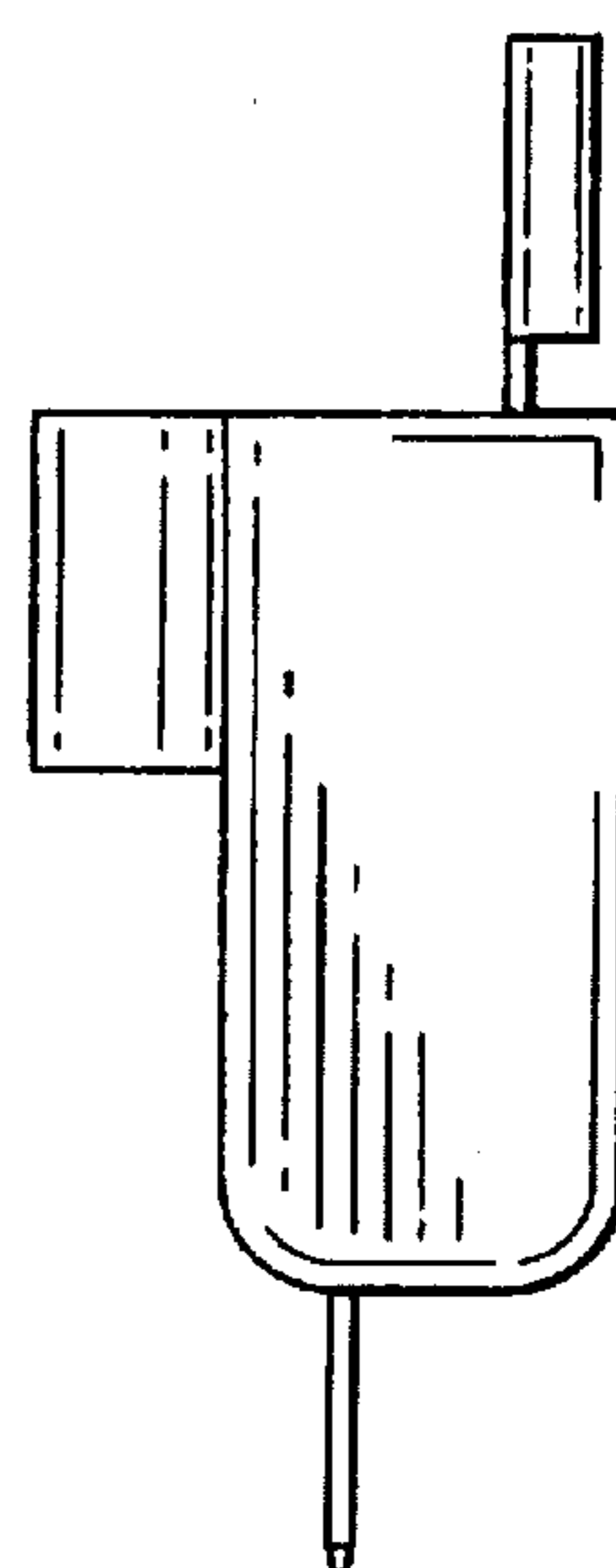
*Fig. 2*



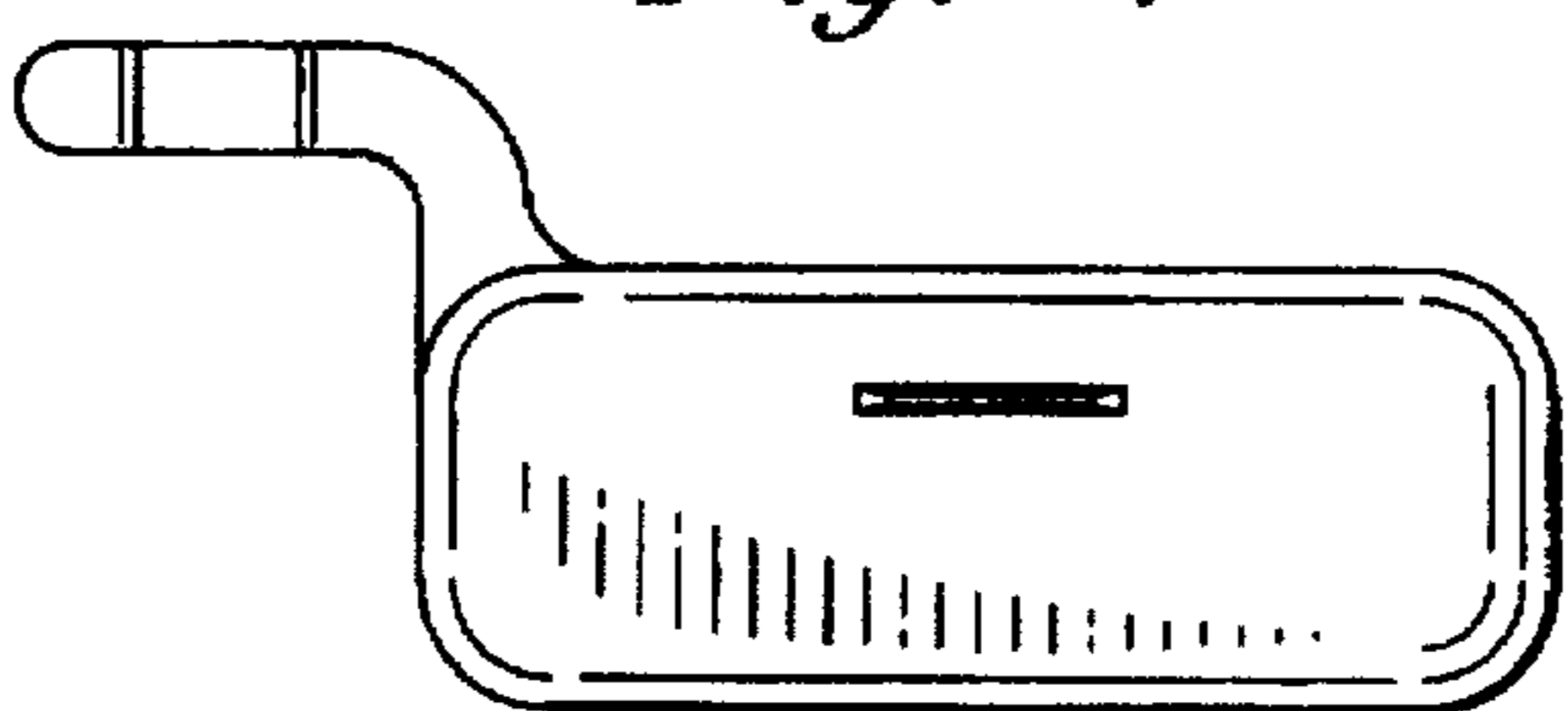
*Fig. 3*



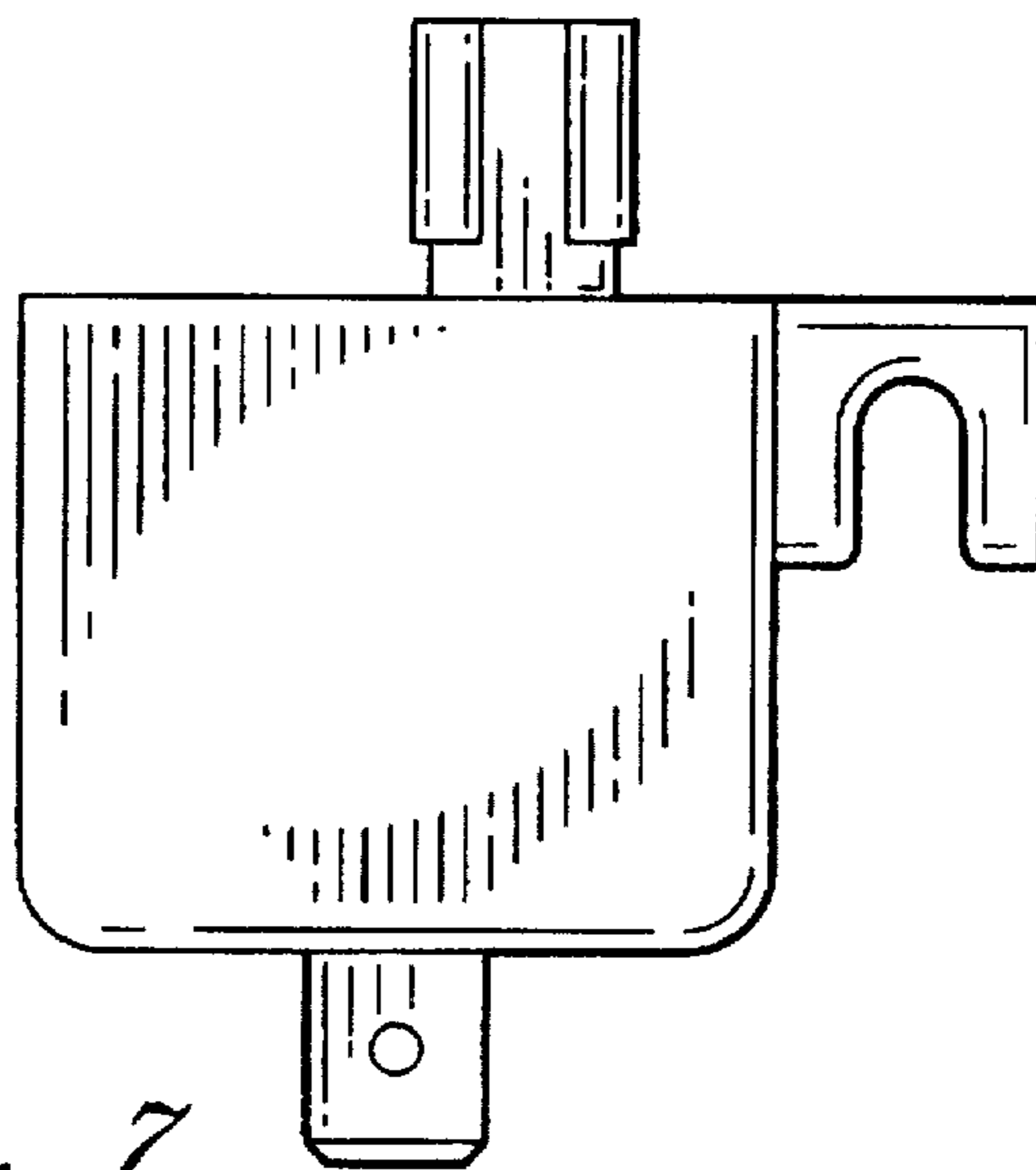
*Fig. 4*



*Fig. 5*



*Fig. 6*



*Fig. 7*