



US00D384325S

United States Patent [19]
Laker

[11] **Patent Number:** **Des. 384,325**
[45] **Date of Patent:** ****Sep. 30, 1997**

[54] **COVER OF A CARRIER FOR A VEHICLE**

[75] **Inventor:** **David L. Laker, Philo, Ill.**

[73] **Assignee:** **U.S. Abilities, Inc., Philo, Ill.**

[**] **Term:** **14 Years**

[21] **Appl. No.:** **42,457**

[22] **Filed:** **Aug. 10, 1995**

[51] **LOC (6) Cl.** **12-16**

[52] **U.S. Cl.** **D12/406**

[58] **Field of Search** **D12/401; 296/100,**
296/157, 210, 99.1; 224/328

[56] **References Cited**

U.S. PATENT DOCUMENTS

D. 306,570	3/1990	Lomonaco	D12/401
D. 356,773	3/1995	Lange	D12/401
4,420,105	12/1983	Nepper	224/328
4,923,242	5/1990	Grontzhorn	296/157

Primary Examiner—Melody N. Brown
Attorney, Agent, or Firm—Roger M. Fitz-Gerald

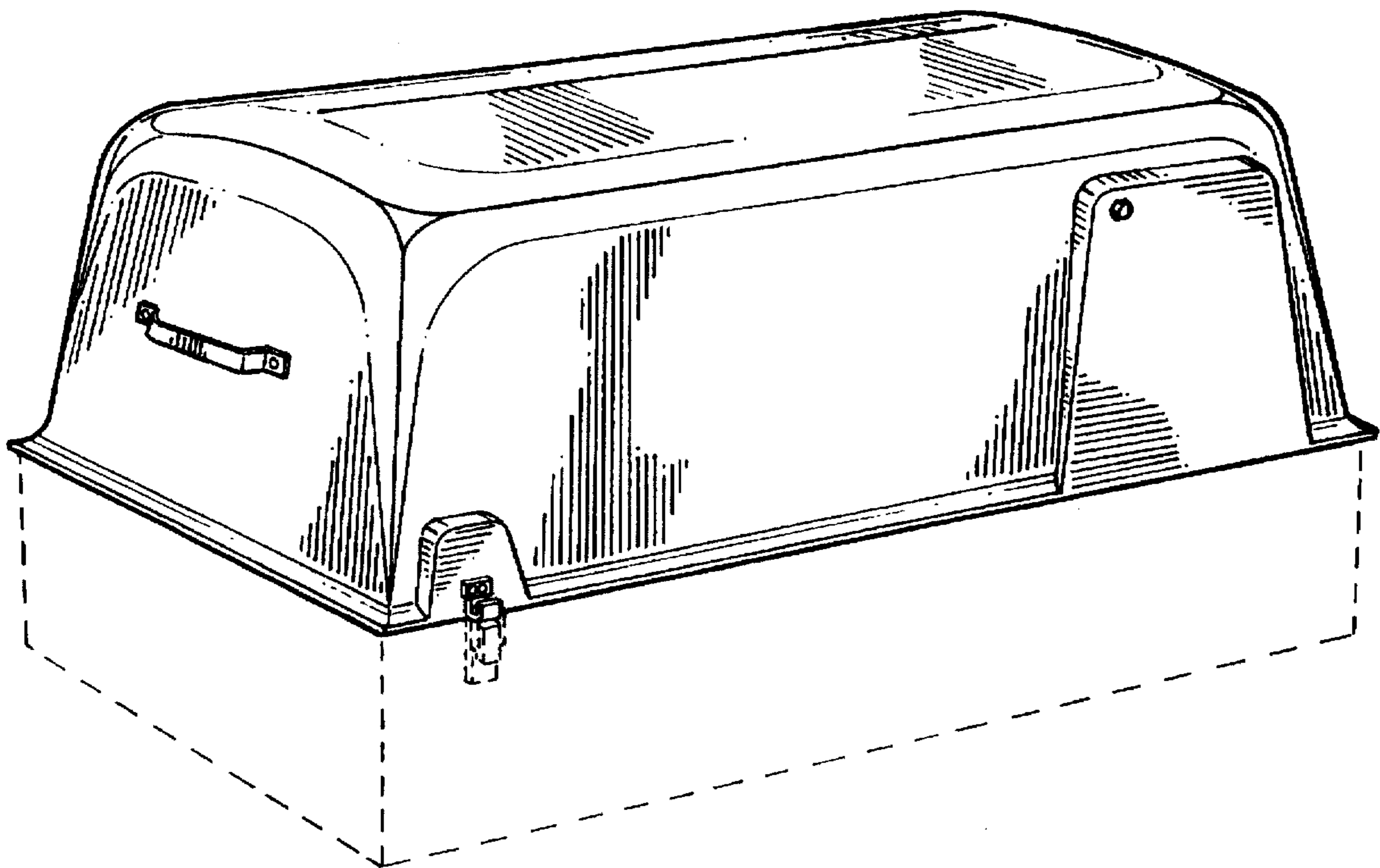
[57] **CLAIM**

The ornamental design for a cover of a carrier for a vehicle, as shown and described.

DESCRIPTION

FIG. 1 is a perspective view of the cover of a carrier for a vehicle showing the new design;
FIG. 2 is another perspective view thereof from a different viewing position than shown in FIG. 1;
FIG. 3 is an elevational view of one end thereof;
FIG. 4 is an elevational view of the opposite end thereof;
FIG. 5 is an elevational view of one side thereof;
FIG. 6 is an elevational view of the opposite side thereof;
FIG. 7 is a top plan view thereof; and,
FIG. 8 is a bottom plan view thereof.
The broken lines shown in FIGS. 1-6 are for illustrative purposes only and form no part of the claimed design.

1 Claim, 4 Drawing Sheets



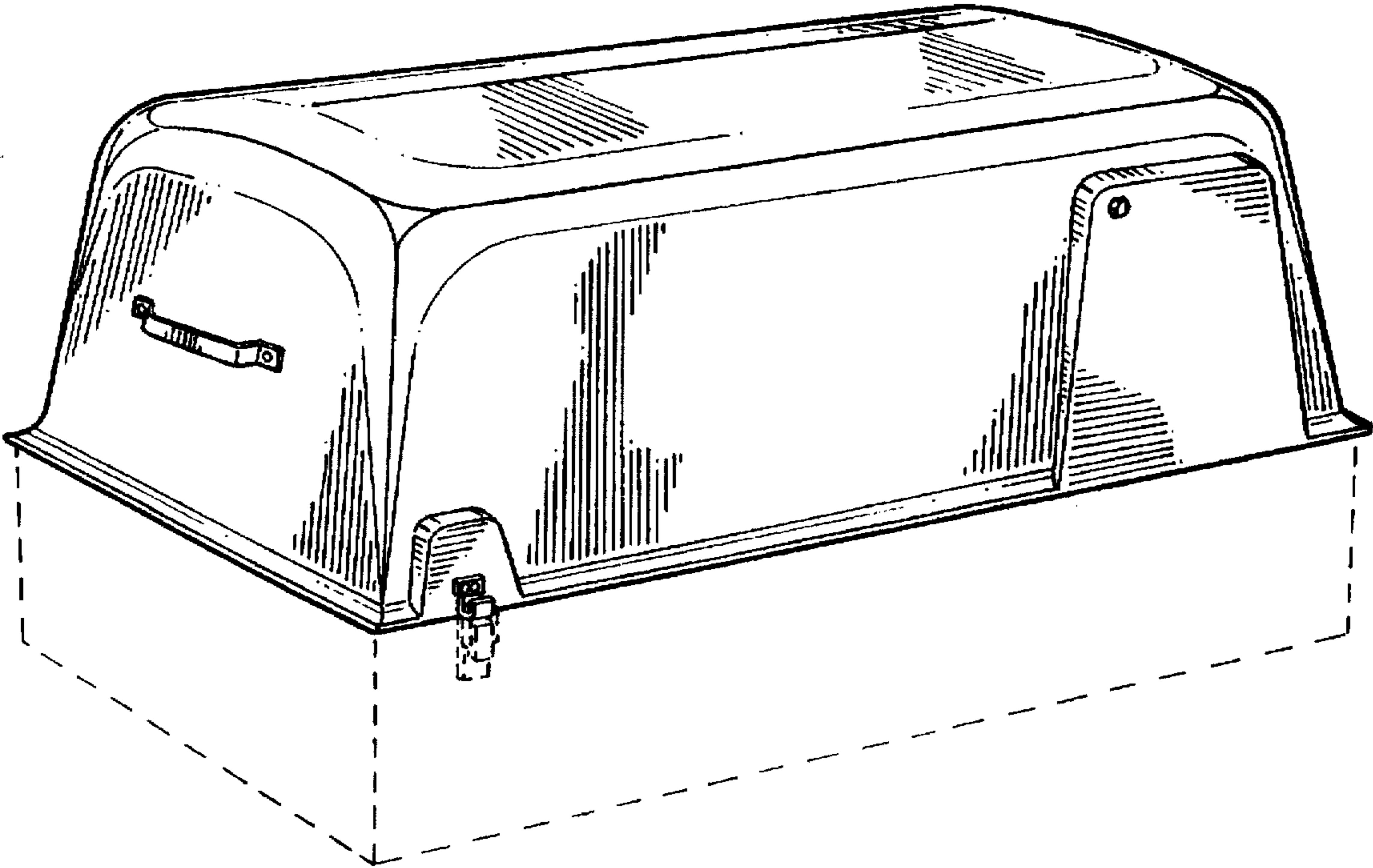


FIG. 1

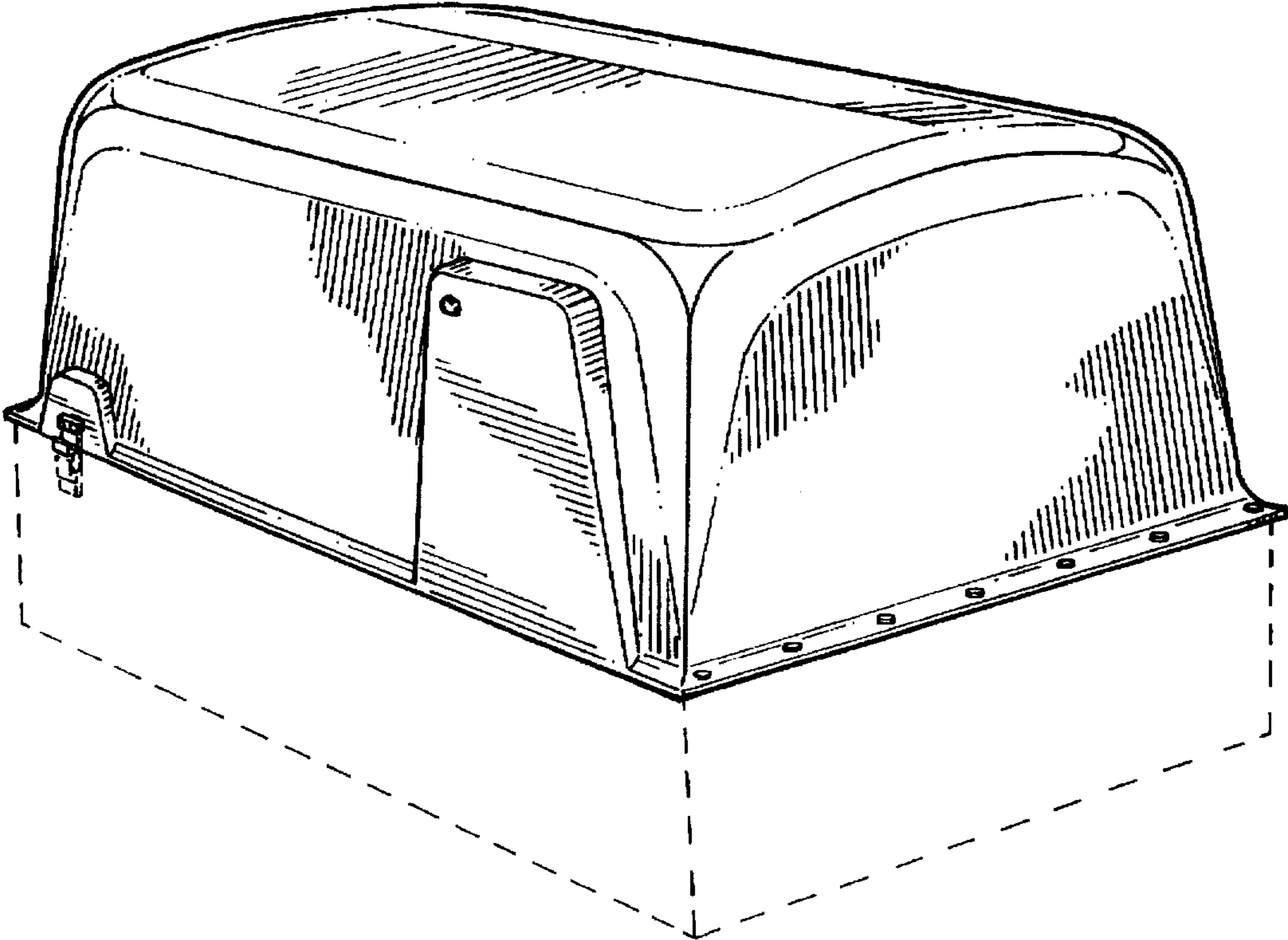


FIG. 2

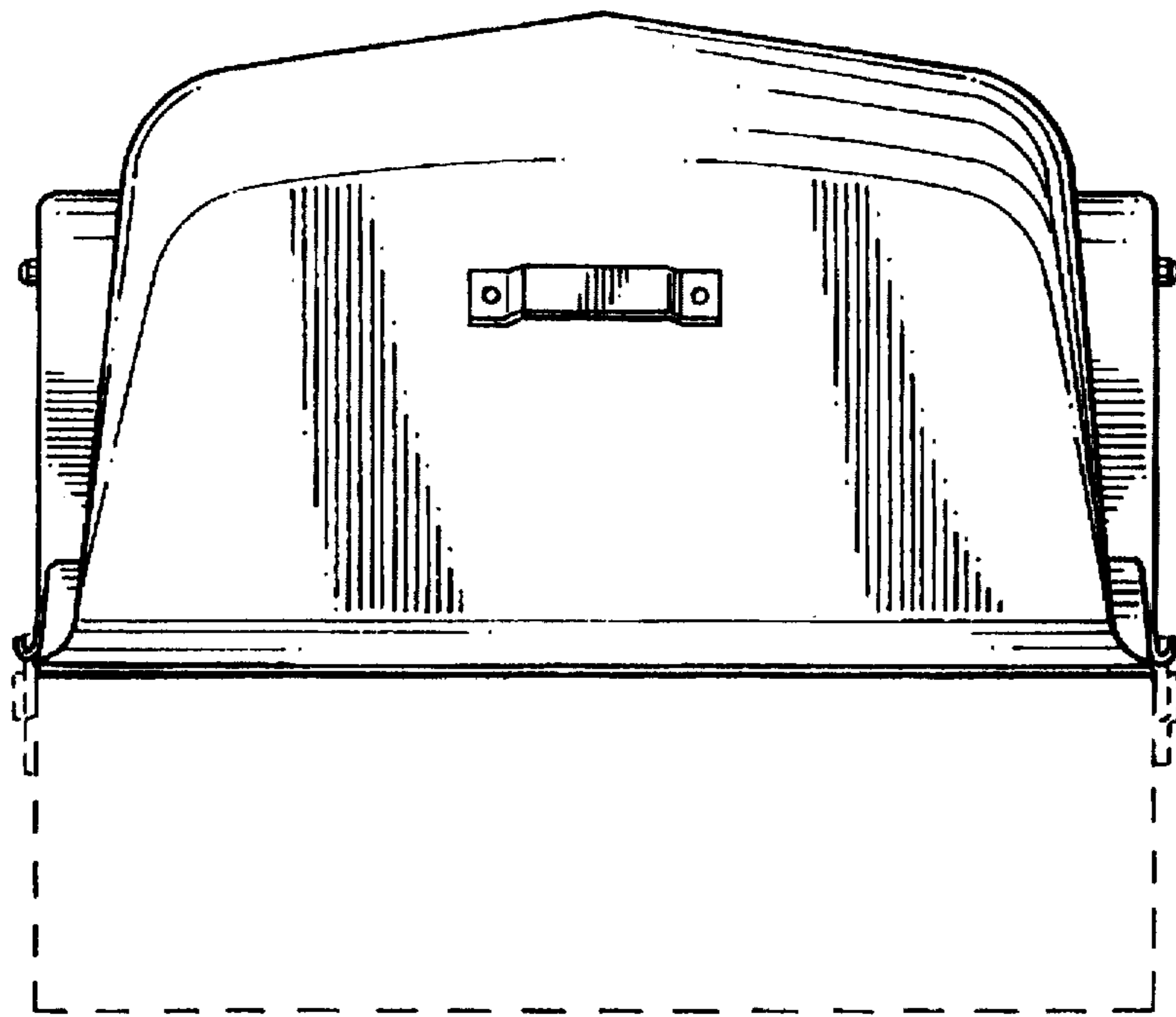


FIG. 3

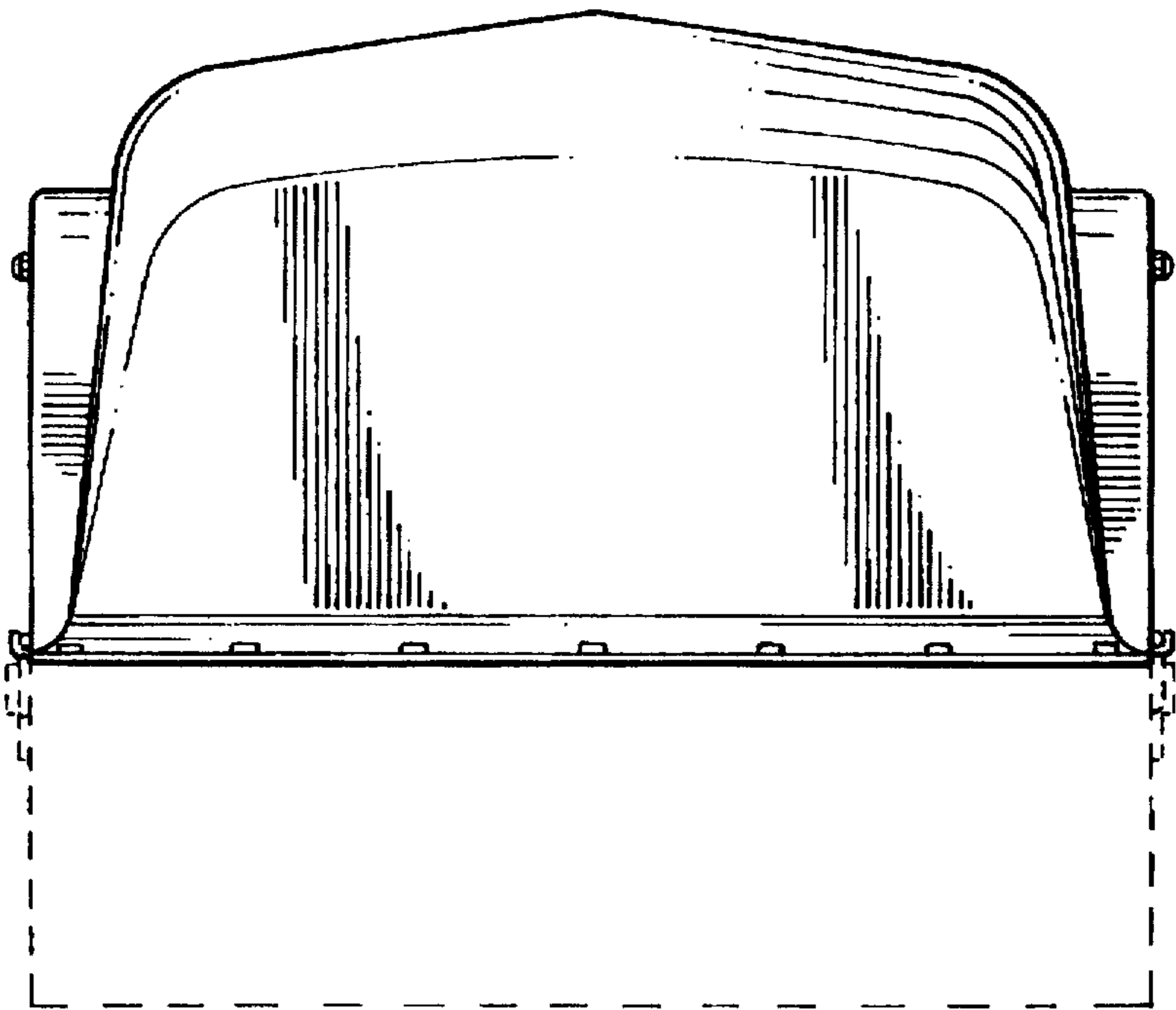


FIG. 4

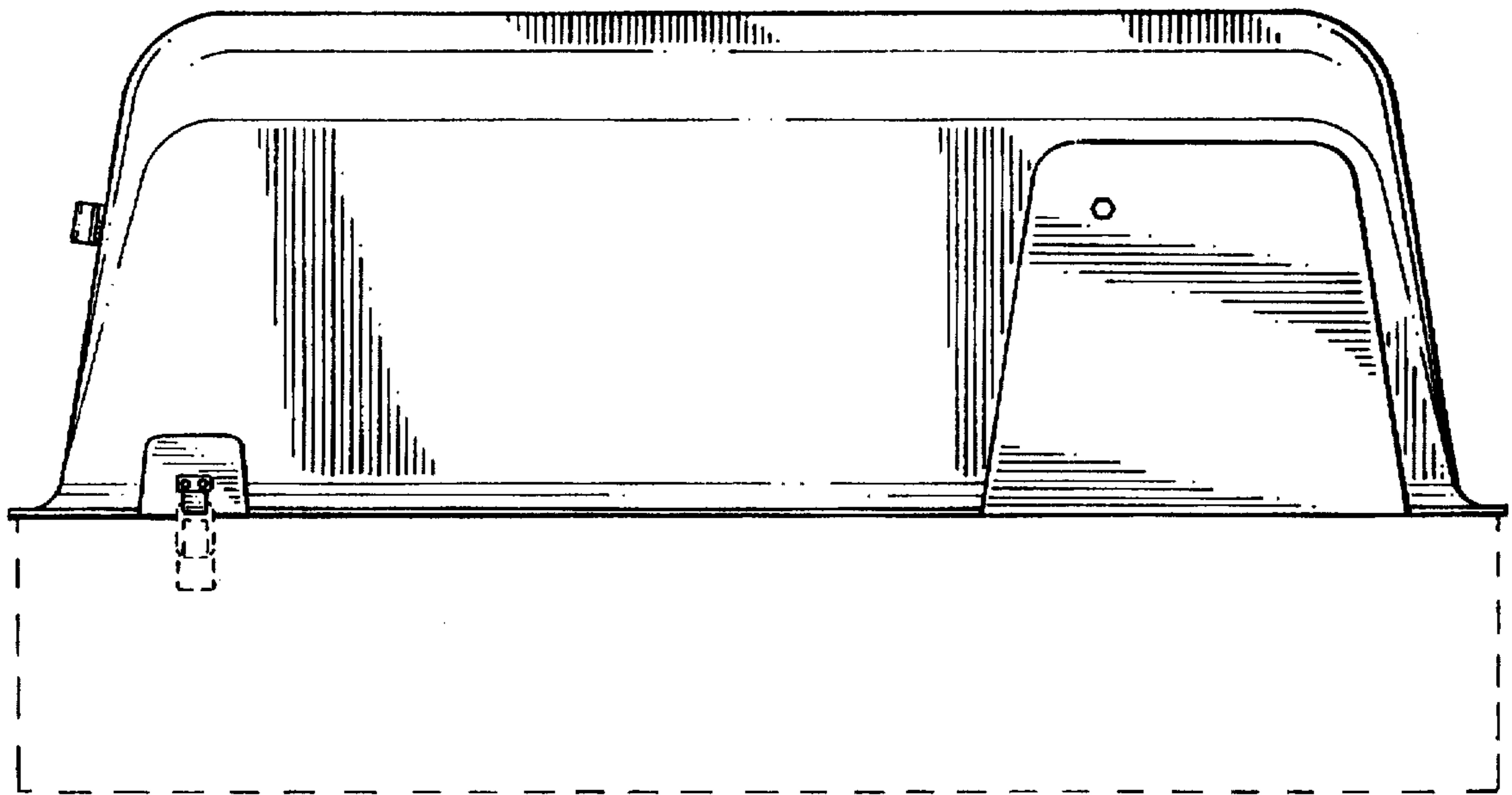


FIG. 5

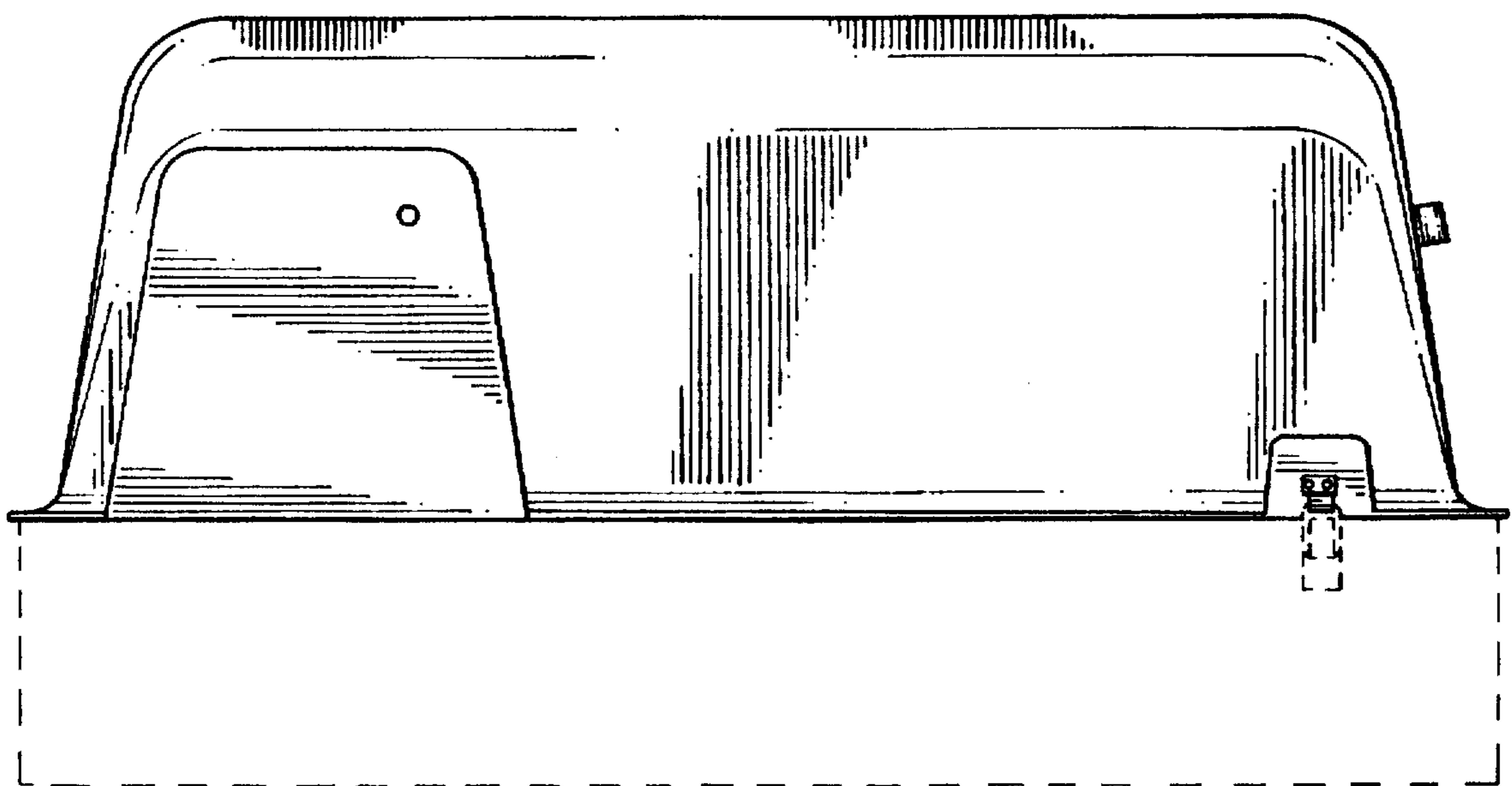


FIG. 6

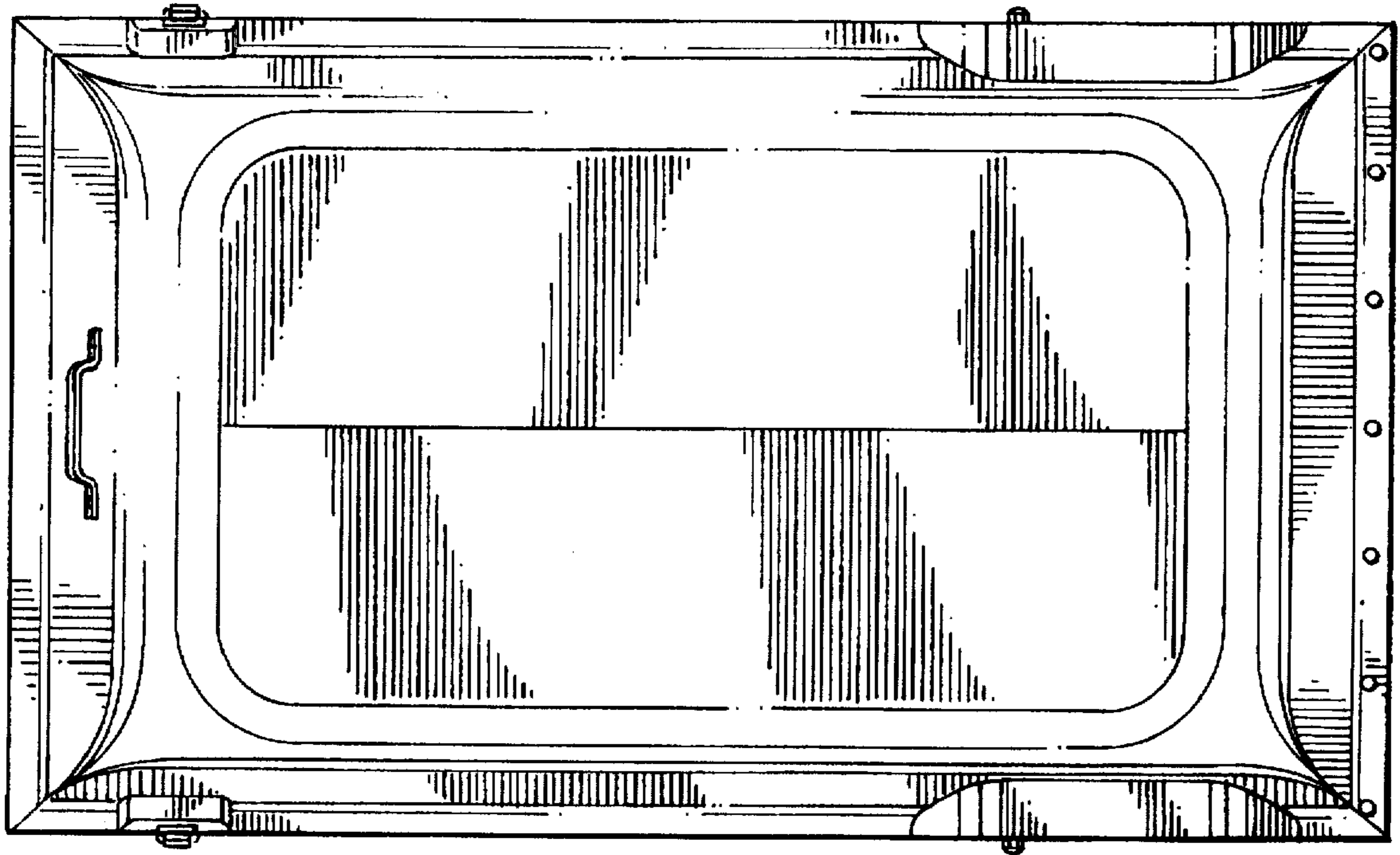


FIG. 7

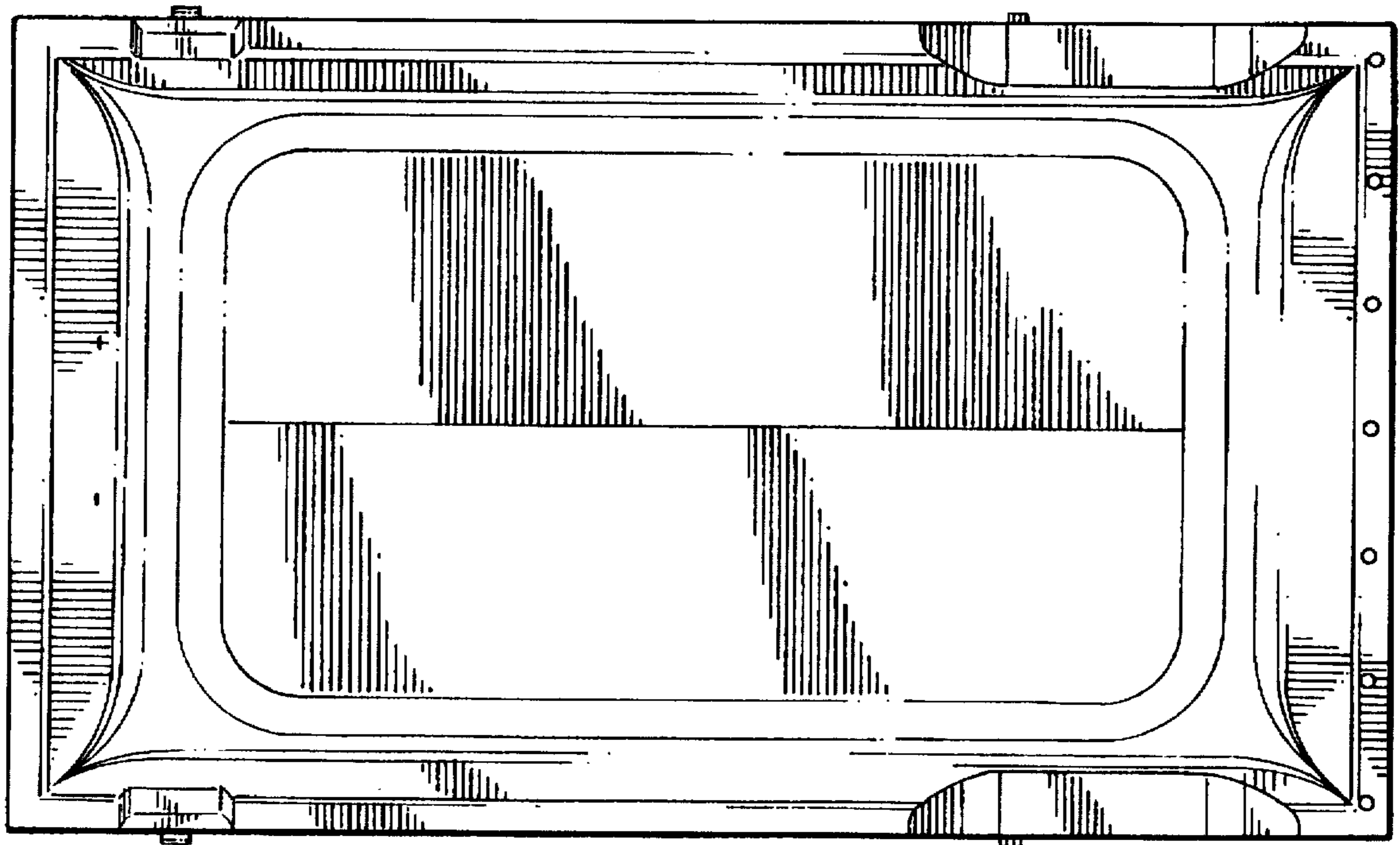


FIG. 8