



US00D384324S

# United States Patent [19]

[11] Patent Number: **Des. 384,324**

**Barker**

[45] Date of Patent: **\*\*Sep. 30, 1997**

[54] **REMOVABLE FABRIC TOP FOR OFF-ROAD VEHICLES**

*Primary Examiner*—Melody N. Brown  
*Attorney, Agent, or Firm*—Larry D. Johnson

[76] Inventor: **Donald M. Barker**, 205 "C" St.,  
Petaluma, Calif. 94952

[57] **CLAIM**

[\*\*] Term: **14 Years**

The ornamental design for a removable fabric top for off-road vehicles, as shown and described.

[21] Appl. No.: **45,698**

**DESCRIPTION**

[22] Filed: **Oct. 26, 1995**

FIG. 1 is a perspective view of the removable fabric top for off-road vehicles showing my new design as it would appear in use on a vehicle illustrated in broken lines for illustrative purposes only and forming no part of the claimed design; FIG. 2 is a perspective view of the invention in its installed configuration;

[51] LOC (6) Cl. .... **12-16**

[52] U.S. Cl. .... **D12/401**

[58] Field of Search ..... D12/401, 403;  
296/99.1, 100, 102, 210

FIG. 3 is a top plan view thereof;

FIG. 4 is a left side elevational view thereof, the right side being a mirror image;

[56] **References Cited**

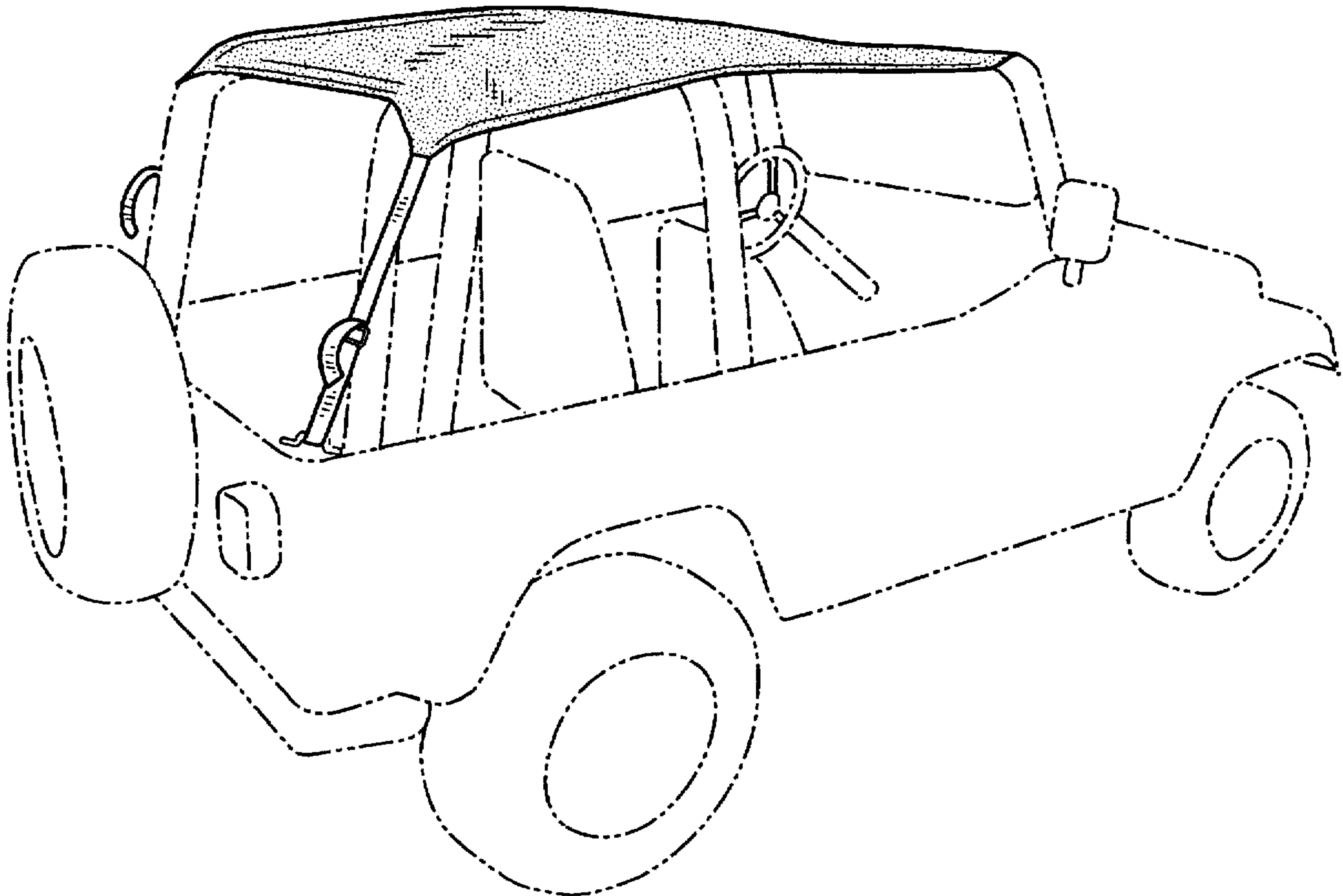
**U.S. PATENT DOCUMENTS**

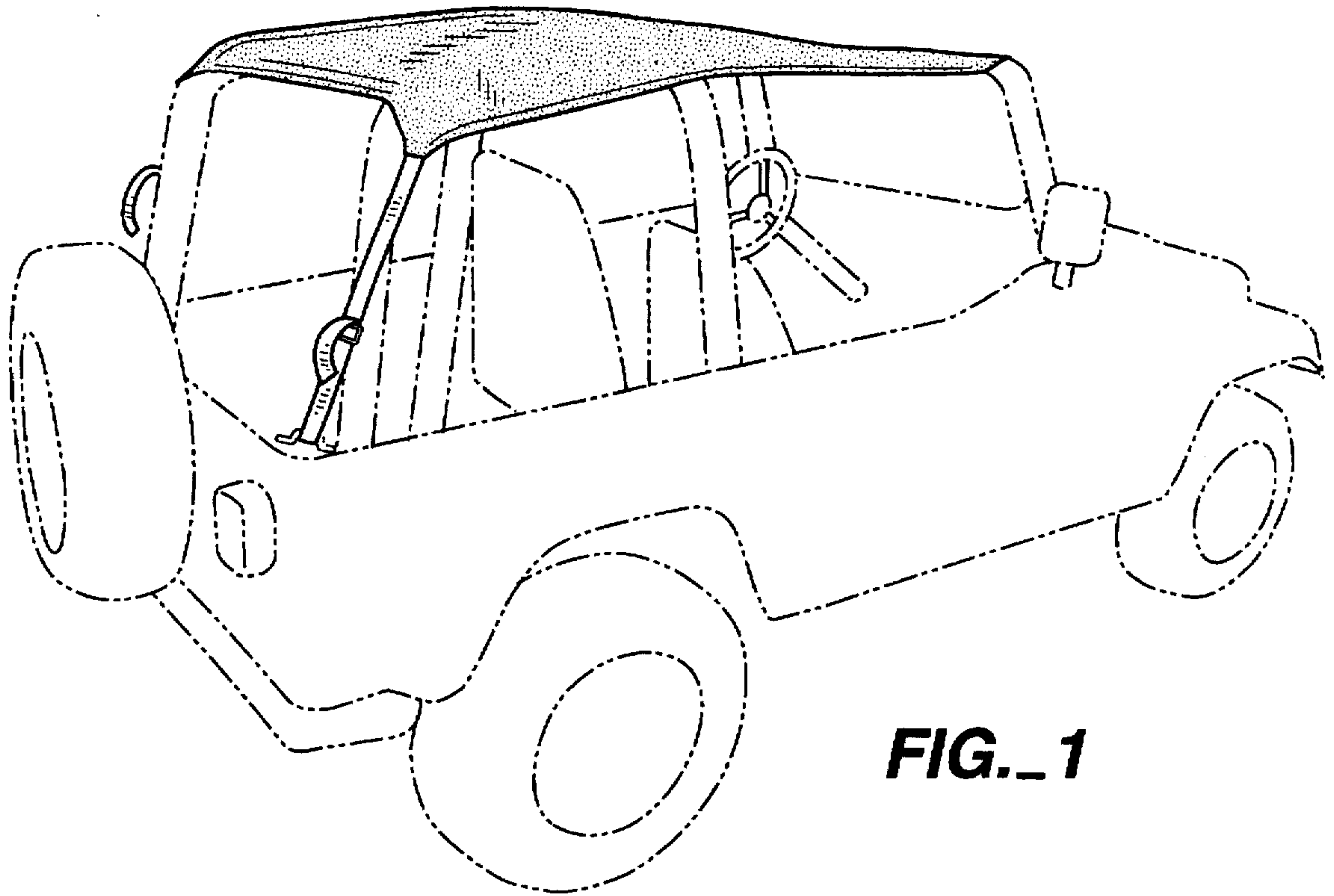
D. 180,716	7/1957	Herman	.....	D12/403
D. 259,340	5/1981	Stengel	.....	D12/401
D. 268,408	3/1983	Ruggles	.....	D12/403
D. 322,055	12/1991	Bruce et al.	.....	D12/403

FIG. 5 is a front elevation view thereof; and,

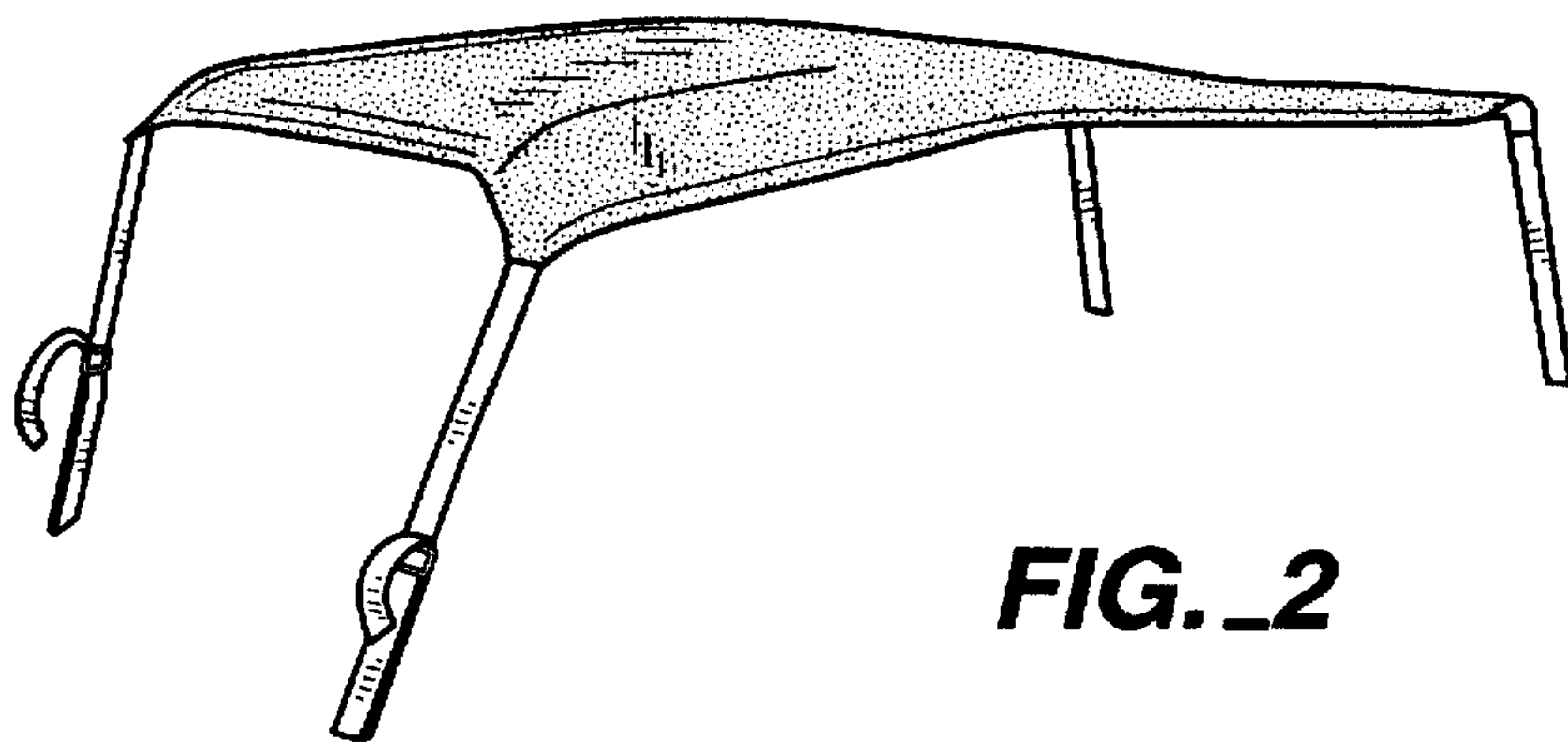
FIG. 6 is a rear elevation view thereof.

**1 Claim, 3 Drawing Sheets**



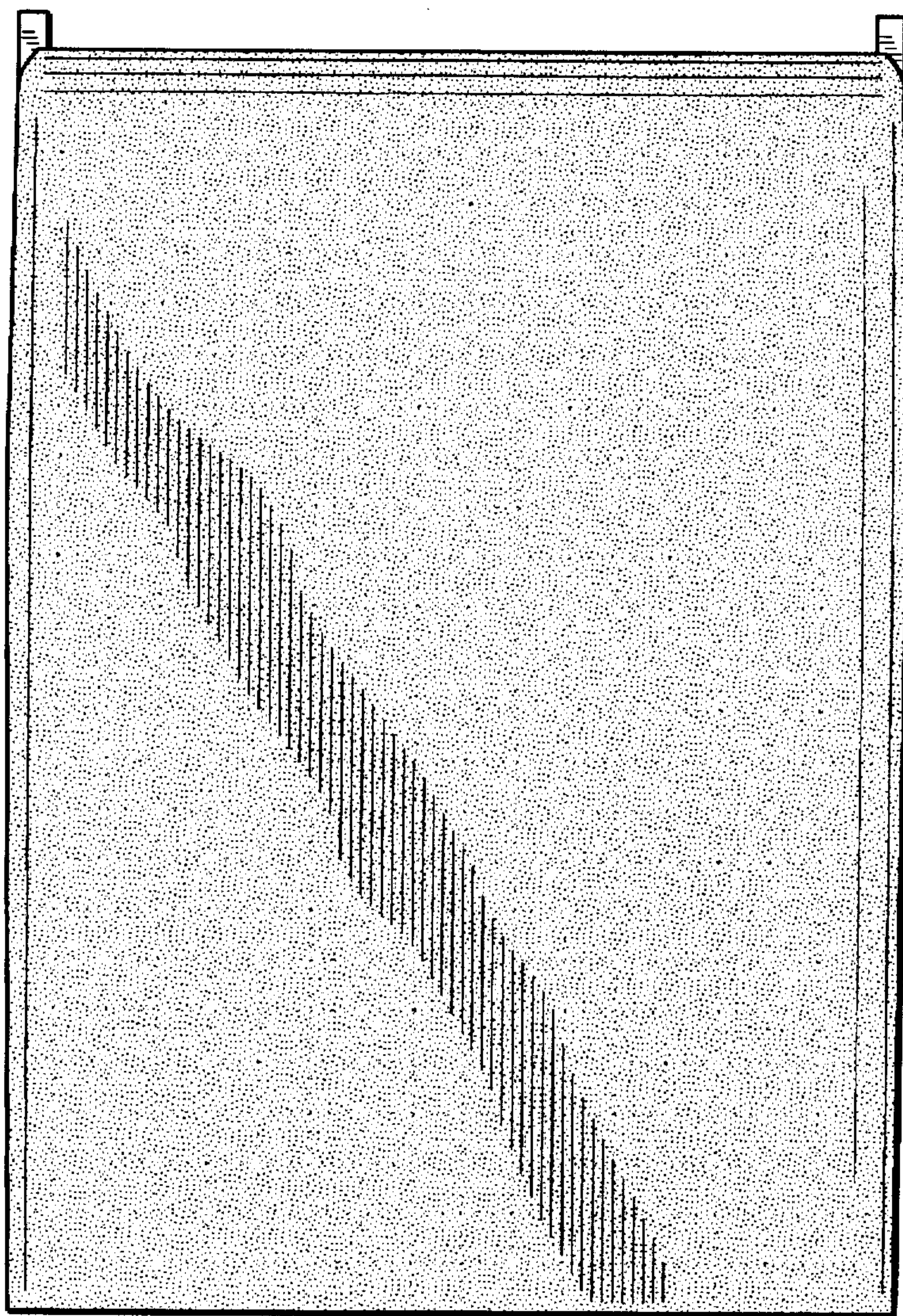


**FIG. 1**

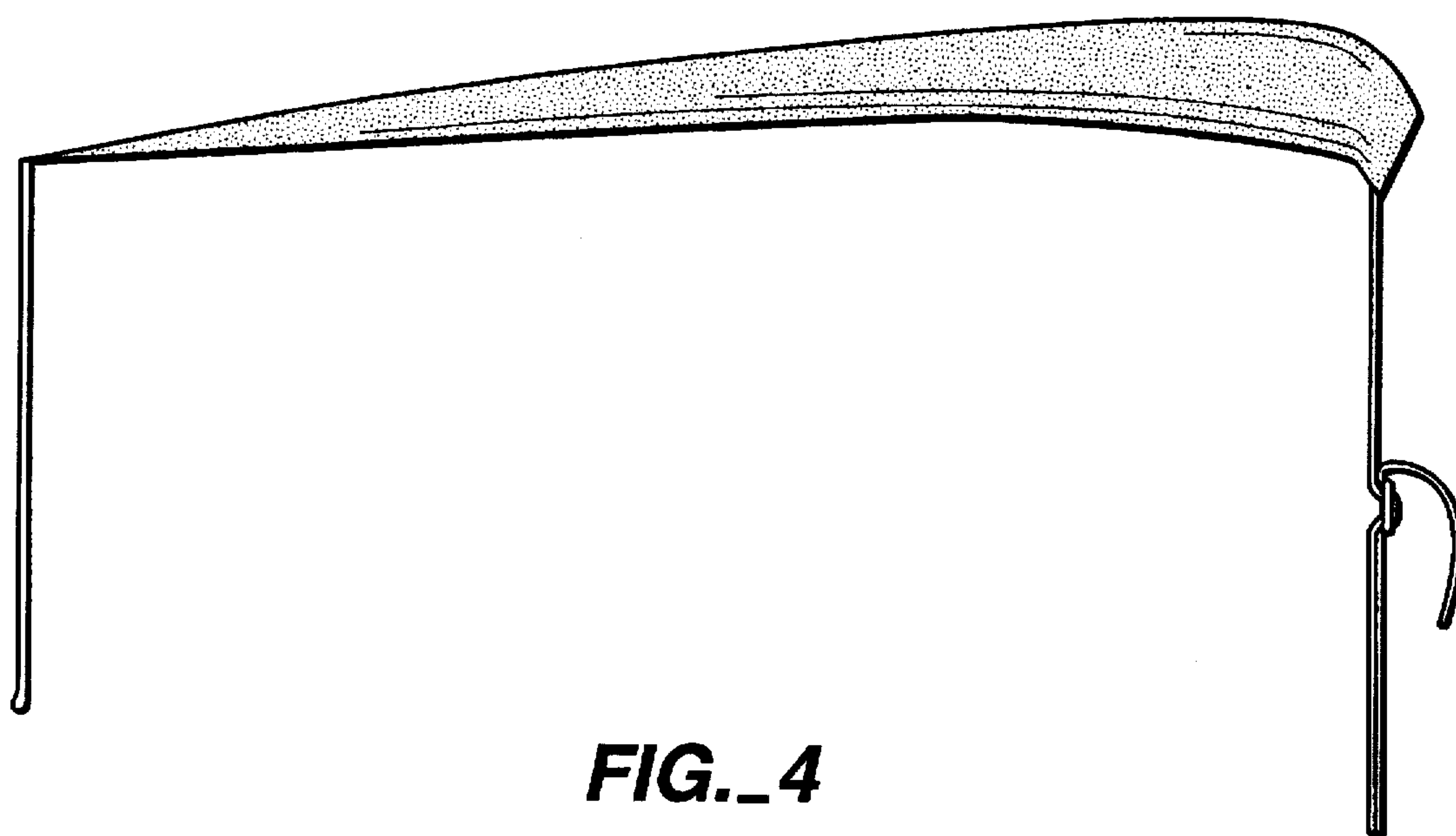


**FIG. 2**

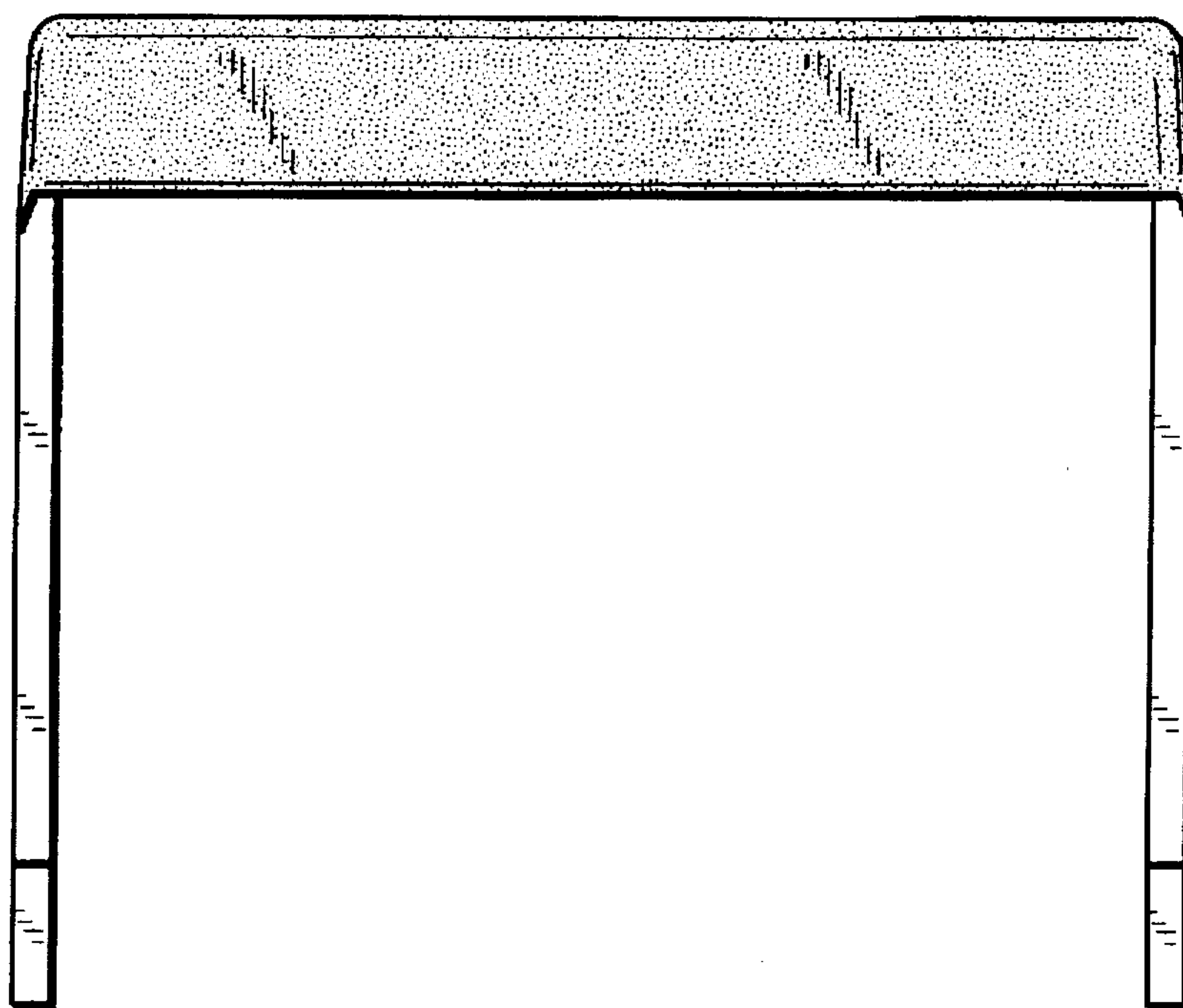




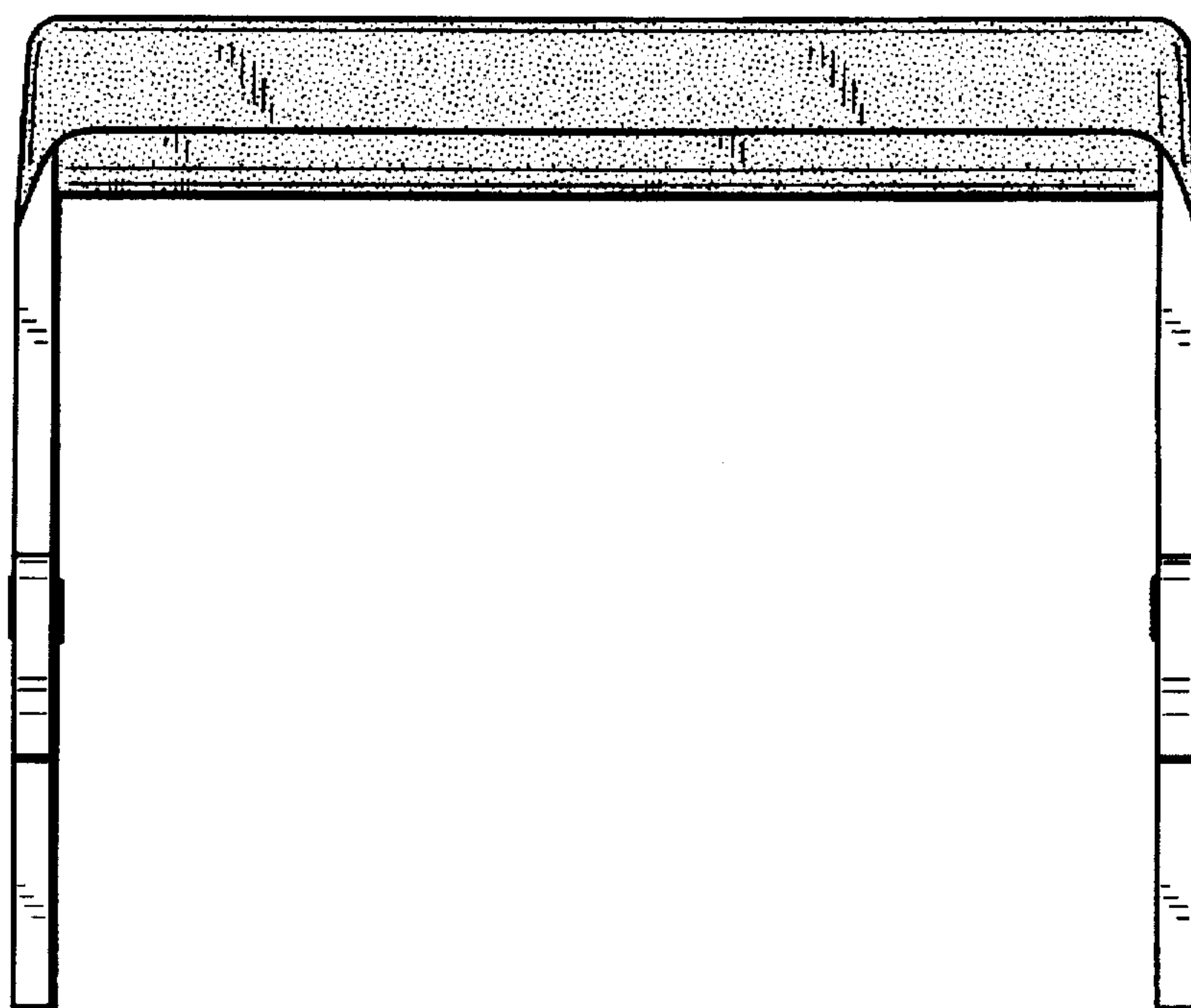
**FIG.\_3**



**FIG.\_4**



**FIG.\_5**



**FIG.\_6**