



US00D384323S

# United States Patent [19]

Naito et al.

[11] Patent Number: **Des. 384,323**

[45] Date of Patent: **\*\*Sep. 30, 1997**

[54] **BELT LINE MOLDING OF A CAR**

[75] Inventors: **Hideki Naito; Hiroshi Ishibashi**, both of Hiroshima, Japan

[73] Assignee: **Nishikawa Rubber Co., Ltd.**, Hiroshima, Japan

[\*\*] Term: **14 Years**

[21] Appl. No.: **46,569**

[22] Filed: **Oct. 5, 1995**

[30] **Foreign Application Priority Data**

Apr. 7, 1995 [JP] Japan ..... 7-9802

[51] LOC (6) Cl. .... **12-16**

[52] U.S. Cl. .... **D12/400**

[58] Field of Search ..... D12/400; 296/153; D25/119, 120, 121, 122, 123, 124, 125, 136

[56] **References Cited**

**U.S. PATENT DOCUMENTS**

D. 270,288 8/1983 Smith ..... D25/119

D. 270,289 8/1983 Smith ..... D25/119  
D. 297,465 8/1988 Nally et al. .... D25/119  
D. 313,654 1/1991 Shell ..... D25/119  
D. 372,453 8/1996 Gold ..... D12/400

*Primary Examiner*—Louis S. Zarfaz  
*Assistant Examiner*—Catherine R. Oliver  
*Attorney, Agent, or Firm*—Flynn, Thiel, Boutell & Tanis, P.C.

[57] **CLAIM**

The ornamental design of a belt line molding of a car, as shown and described.

**DESCRIPTION**

FIG. 1 is a perspective view of a belt line molding of a car showing our new design;  
FIG. 2 is a front view thereof;  
FIG. 3 is a plan view thereof;  
FIG. 4 is a rear view thereof;  
FIG. 5 is a bottom view thereof; and,  
FIG. 6 is a left-side view thereof on an enlarged scale, the right-side being symmetrical thereto.

**1 Claim, 3 Drawing Sheets**

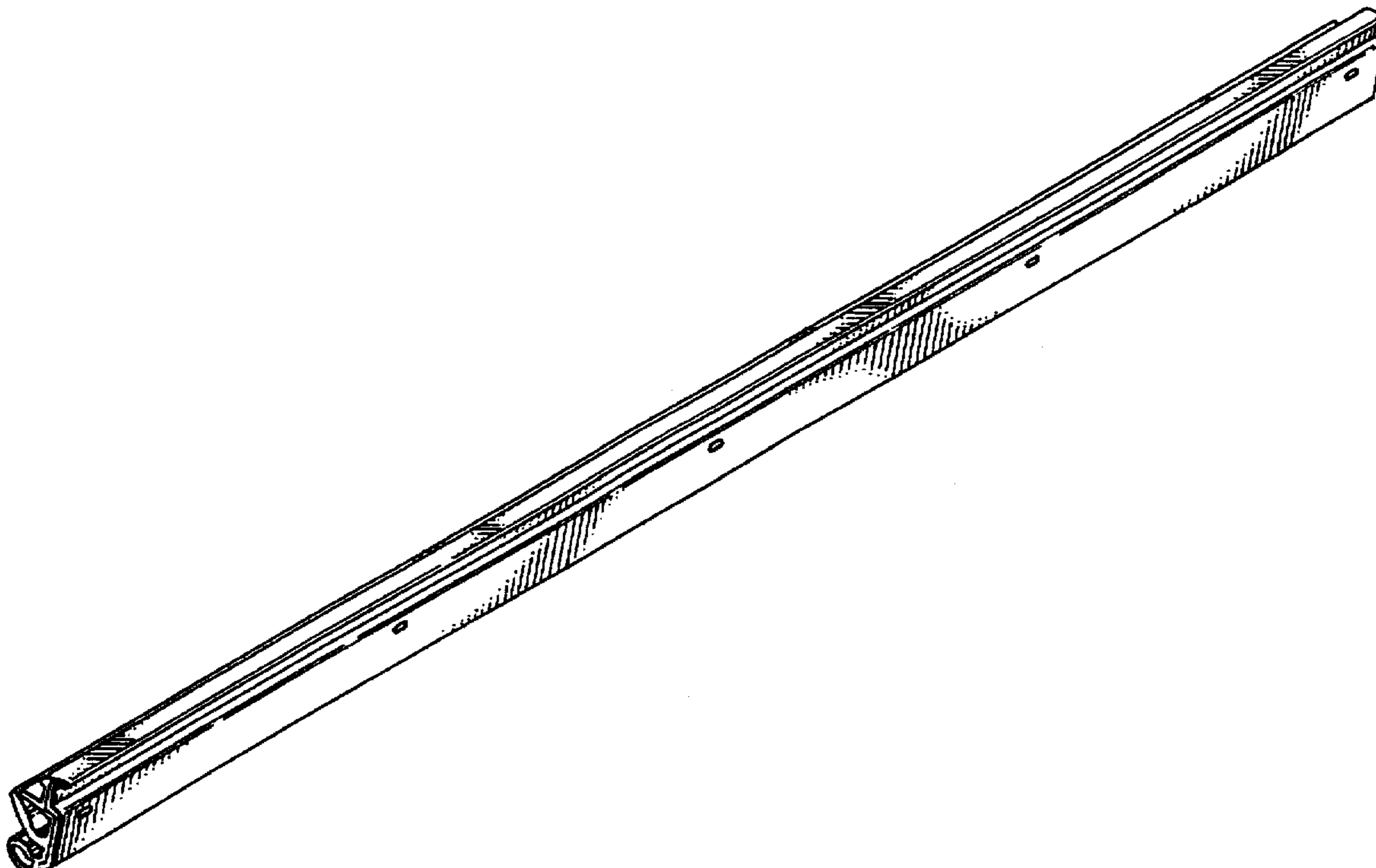


FIG. 1

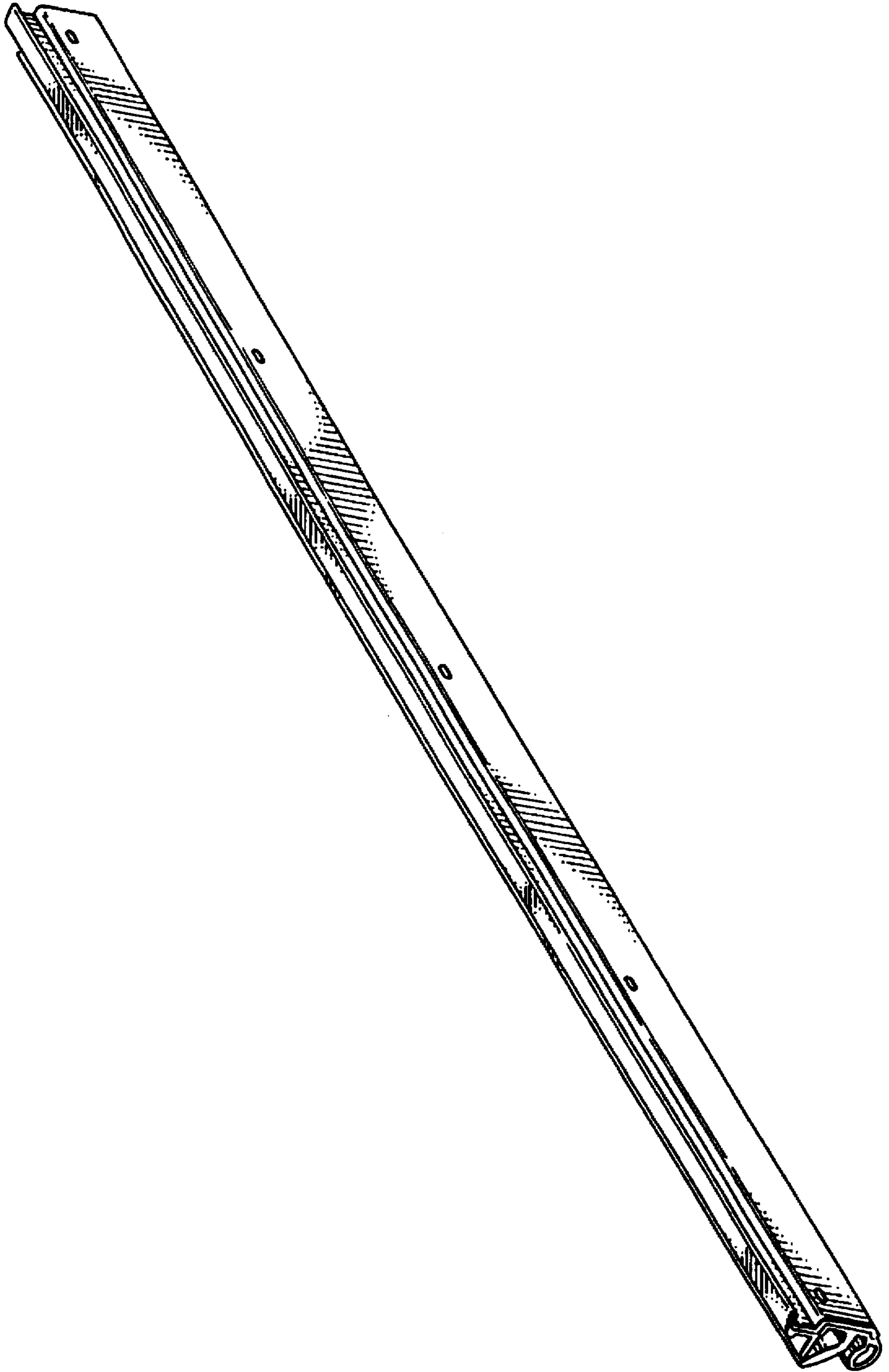


FIG. 2

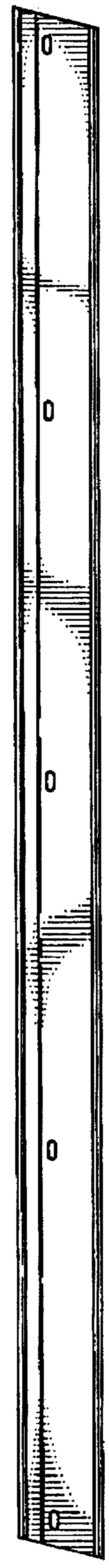


FIG. 3



FIG. 4

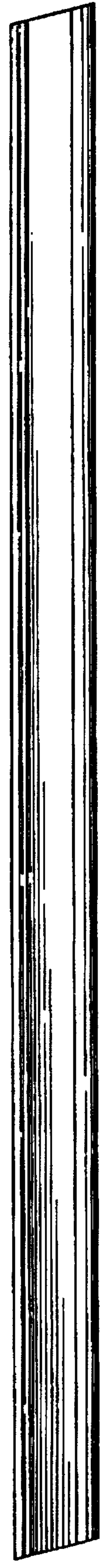


FIG. 5



FIG. 6

