



US00D384319S

**United States Patent** [19]  
**Harutiunian**

[11] **Patent Number: Des. 384,319**  
[45] **Date of Patent: \*\*Sep. 30, 1997**

[54] **BAFFLED CHROME EXHAUST TIP**

4,473,131 9/1984 Clegg et al. .... 181/228 X  
4,475,623 10/1984 Gerber et al. .... 181/228 X

[76] Inventor: **Harut Harutiunian**, 905 N. San Antonio Ave., Ontario, Calif. 91762

*Primary Examiner*—Louis S. Zarfaz  
*Assistant Examiner*—Frank Martinez  
*Attorney, Agent, or Firm*—Leo R. Carroll

[\*\*] Term: **14 Years**

[21] Appl. No.: **50,750**

[57] **CLAIM**

[22] Filed: **Feb. 26, 1996**

The ornamental design for the baffled chrome exhaust tip, as shown and described.

[51] LOC (6) Cl. .... **12-16**

**DESCRIPTION**

[52] U.S. Cl. .... **D12/194**

[58] Field of Search ..... D12/194; D15/5;  
181/227, 228, 232

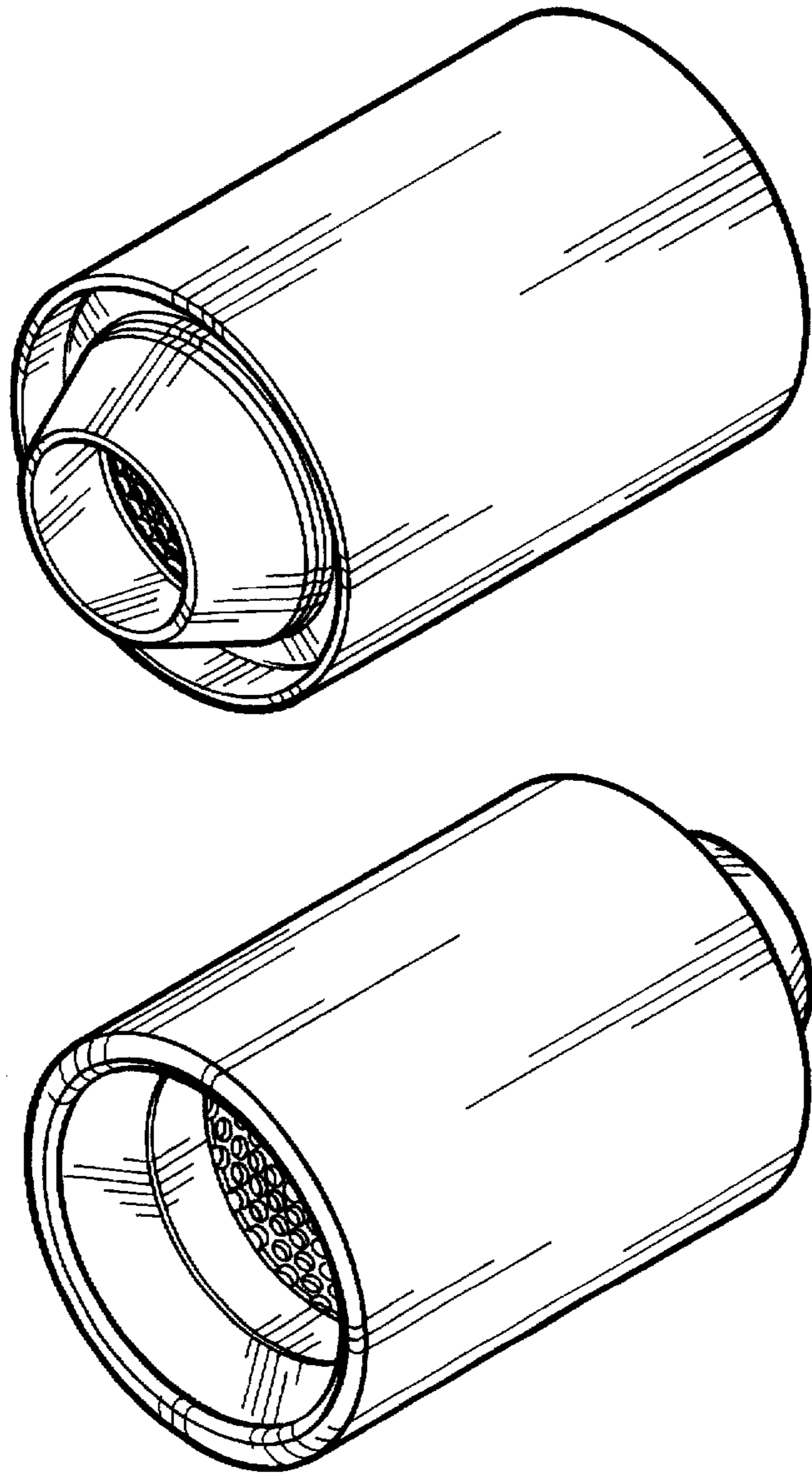
FIG. 1 is a rear view, showing my new design;  
FIG. 2 is side view thereof, the opposite side being a mirror image;  
FIG. 3 is a front view thereof;  
FIG. 4 is a rear perspective view thereof; and,  
FIG. 5 is a front perspective view thereof.

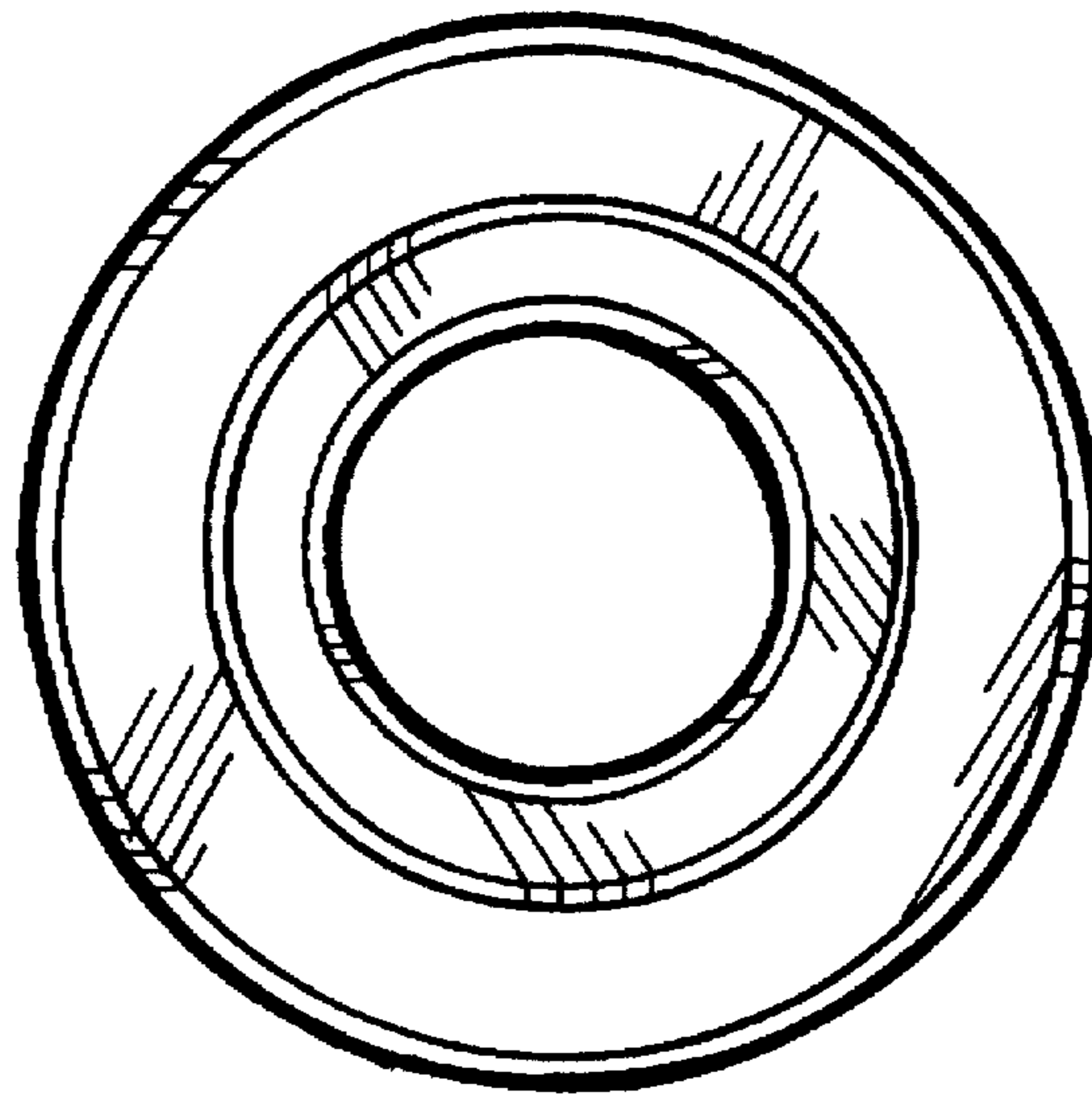
[56] **References Cited**

**U.S. PATENT DOCUMENTS**

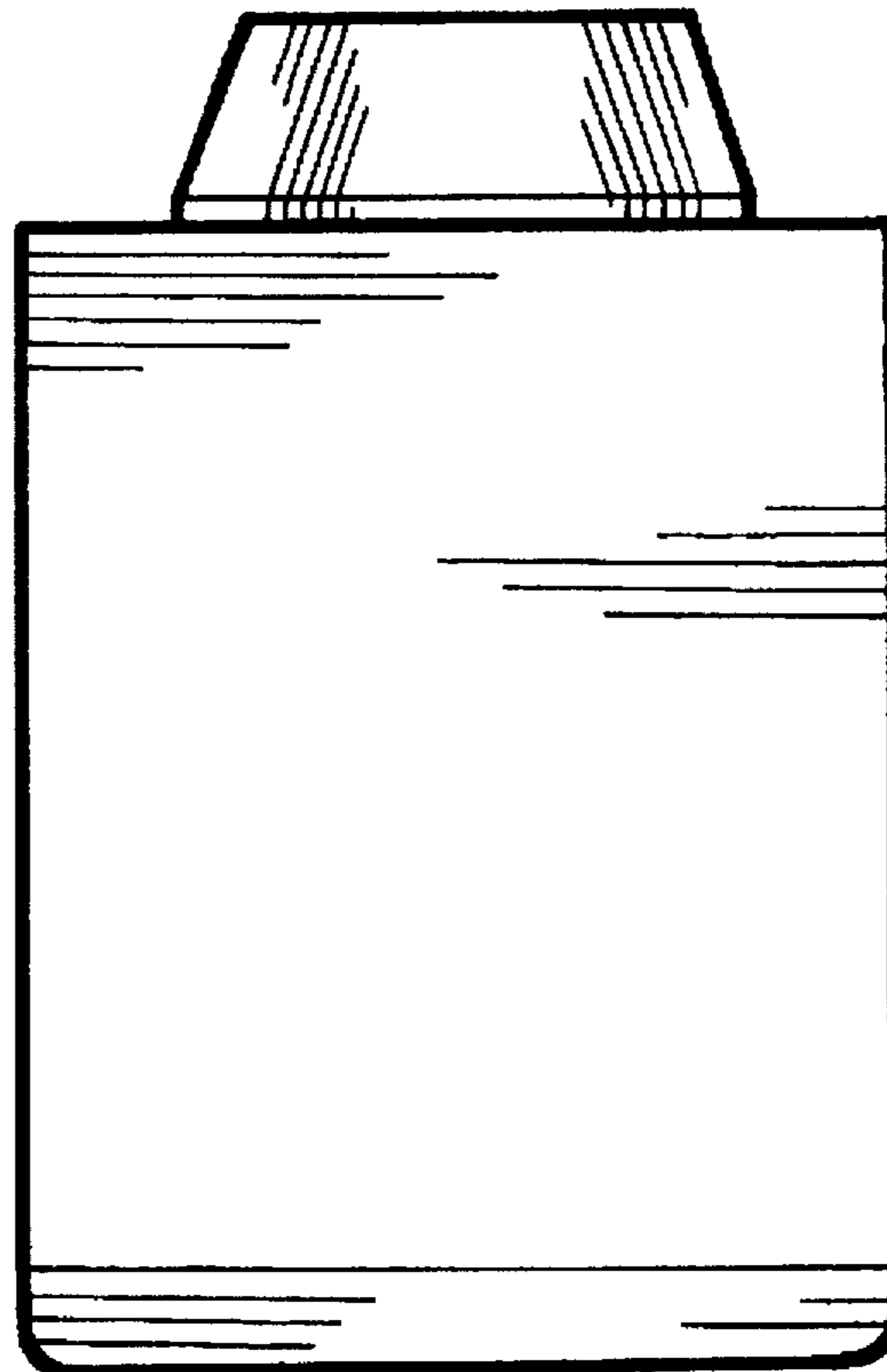
D. 179,320 11/1956 Russell ..... D12/194  
3,404,750 10/1968 Powers et al. .... 181/228

**1 Claim, 3 Drawing Sheets**

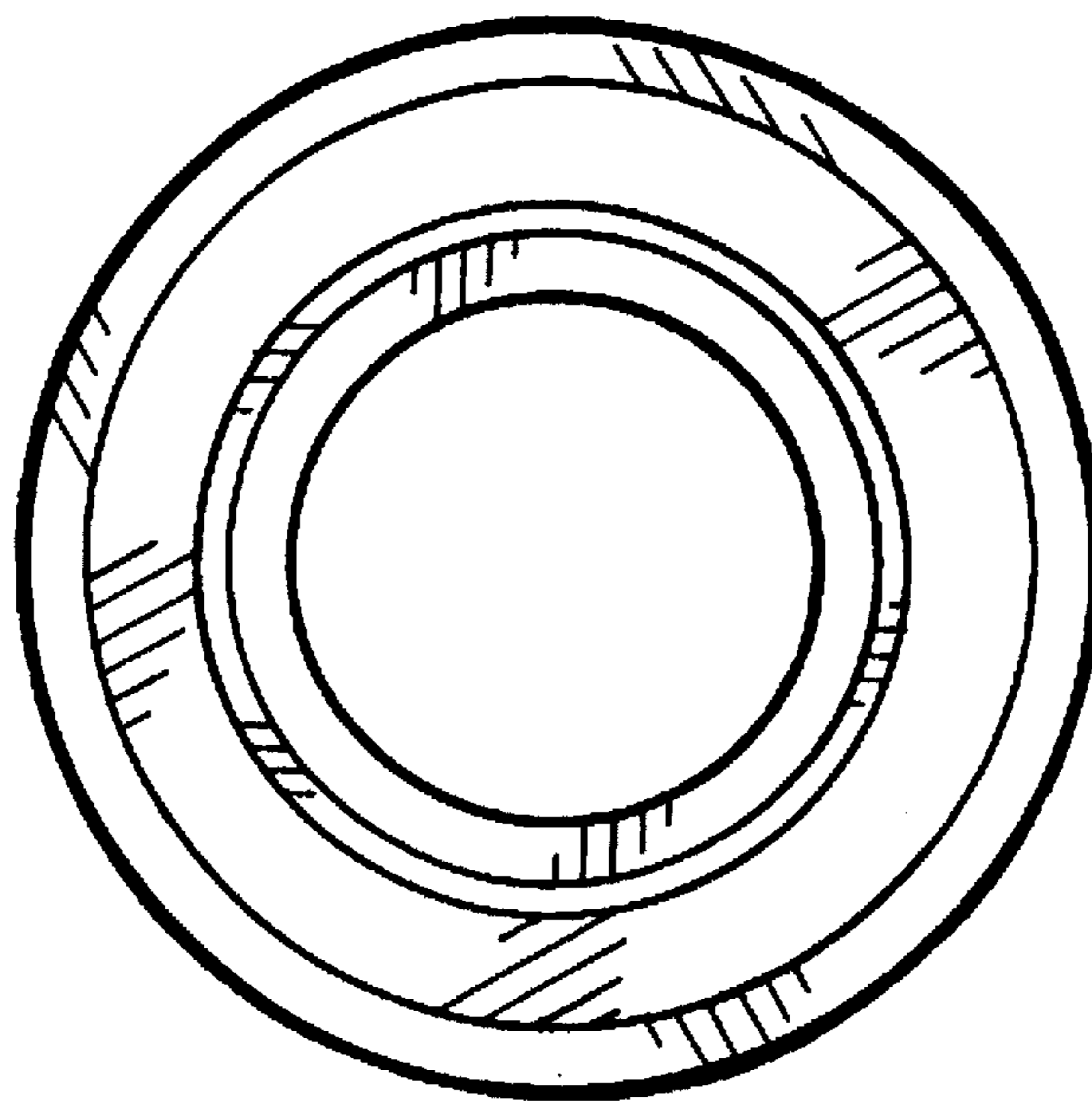




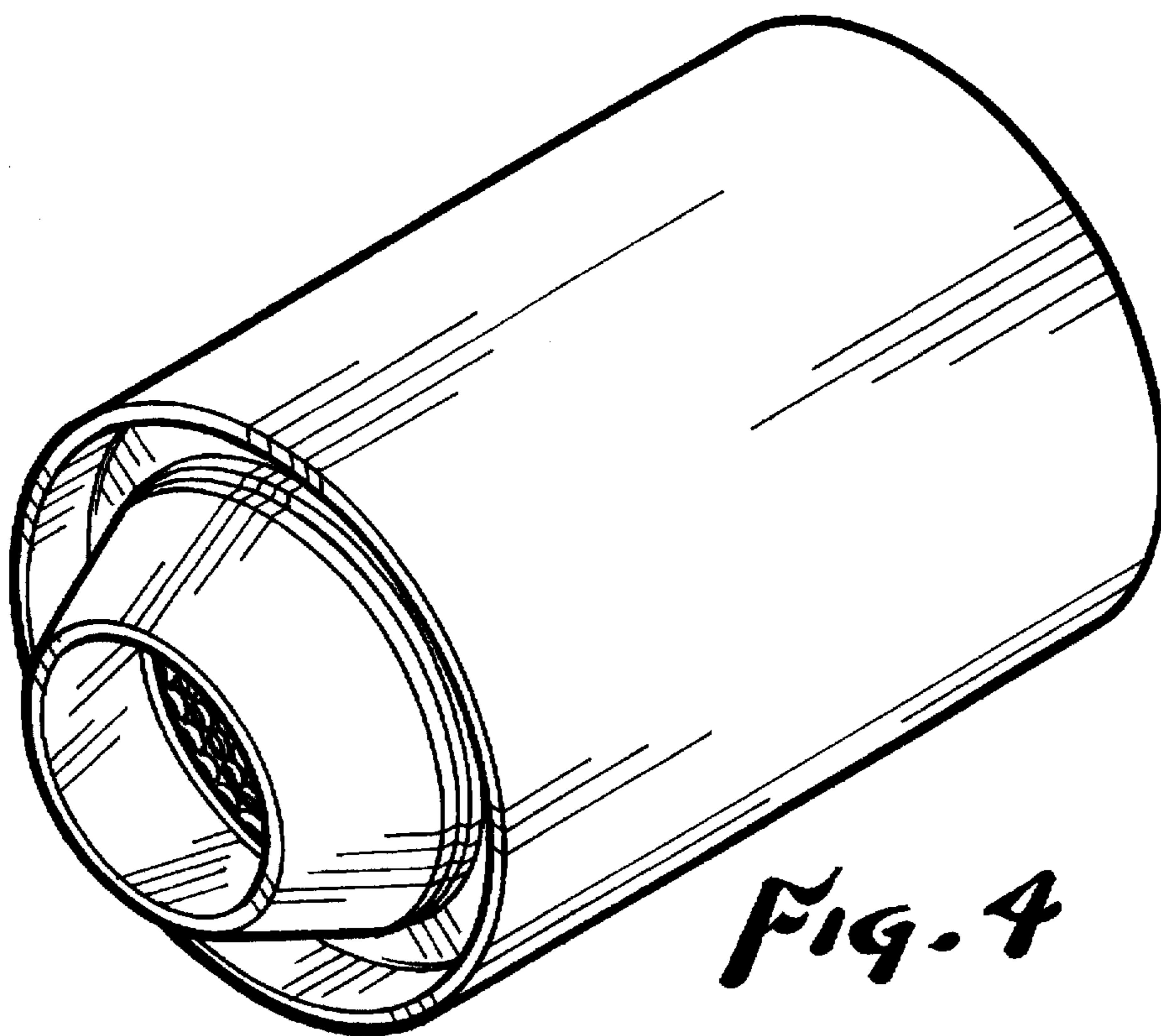
*Fig. 1*



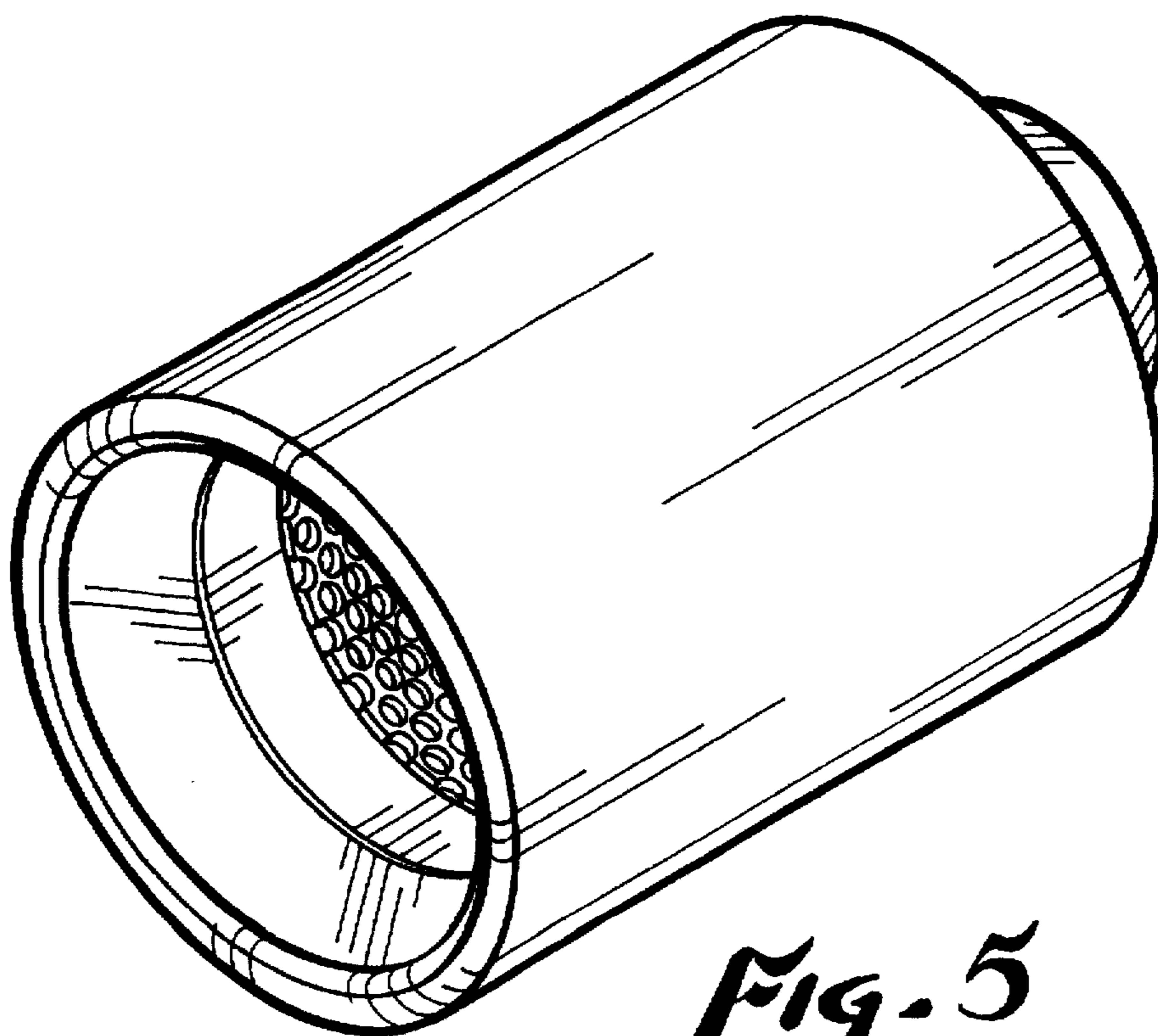
*Fig. 2*



*Fig-3*



*Fig. 4*



*Fig. 5*