



US00D384318S

United States Patent [19] Eskandry

[11] Patent Number: **Des. 384,318**
[45] Date of Patent: ****Sep. 30, 1997**

[54] **FOLDED SHADE WITH WRAPPER**
[76] Inventor: **Ezra David Eskandry, 1925 Brickell Ave., Apt. D901, Miami, Fla. 33129**
[**] Term: **14 Years**
[21] Appl. No.: **33,944**
[22] Filed: **Jan. 24, 1995**
[51] LOC (6) Cl. **12-16**
[52] U.S. Cl. **D12/191**
[58] Field of Search **D12/191, 401; D9/305, 306; 296/97.7, 97.8; 160/370.21, 370.23; 229/87.01, 87.18**

4,671,334 6/1987 Yadegar .
4,727,920 3/1988 Siegler .
4,751,115 6/1988 Smith .
4,777,994 10/1988 Nederveld .
4,805,955 2/1989 Levy .
4,848,825 7/1989 Niernberger 160/370.21
4,877,074 10/1989 Castellano .
4,923,238 5/1990 Morgulis .
4,958,880 9/1990 Champagne 296/97.8
4,974,655 12/1990 Teachout .
5,004,285 4/1991 Bennett .

FOREIGN PATENT DOCUMENTS

859268 1/1961 United Kingdom .

Primary Examiner—Freda Nunn
Attorney, Agent, or Firm—Akin, Gump, Strauss, Hauer & Feld, L.L.P.

[56] References Cited

U.S. PATENT DOCUMENTS

D. 236,868 9/1975 Levy .
D. 236,869 9/1975 Levy .
D. 236,870 9/1975 Levy .
D. 237,663 11/1975 Levy .
D. 293,059 12/1987 Wells .
D. 294,819 3/1988 Kuri .
D. 297,228 8/1988 Harpaz .
D. 306,850 3/1990 Beedy D12/191
1,220,888 3/1917 Porter .
2,525,683 10/1950 Keely .
3,677,322 7/1972 Brorson .
3,709,237 1/1973 Smith .
4,005,899 2/1977 Rigney .
4,202,396 5/1980 Levy .
4,550,038 10/1985 Becker .
4,652,039 3/1987 Richards .

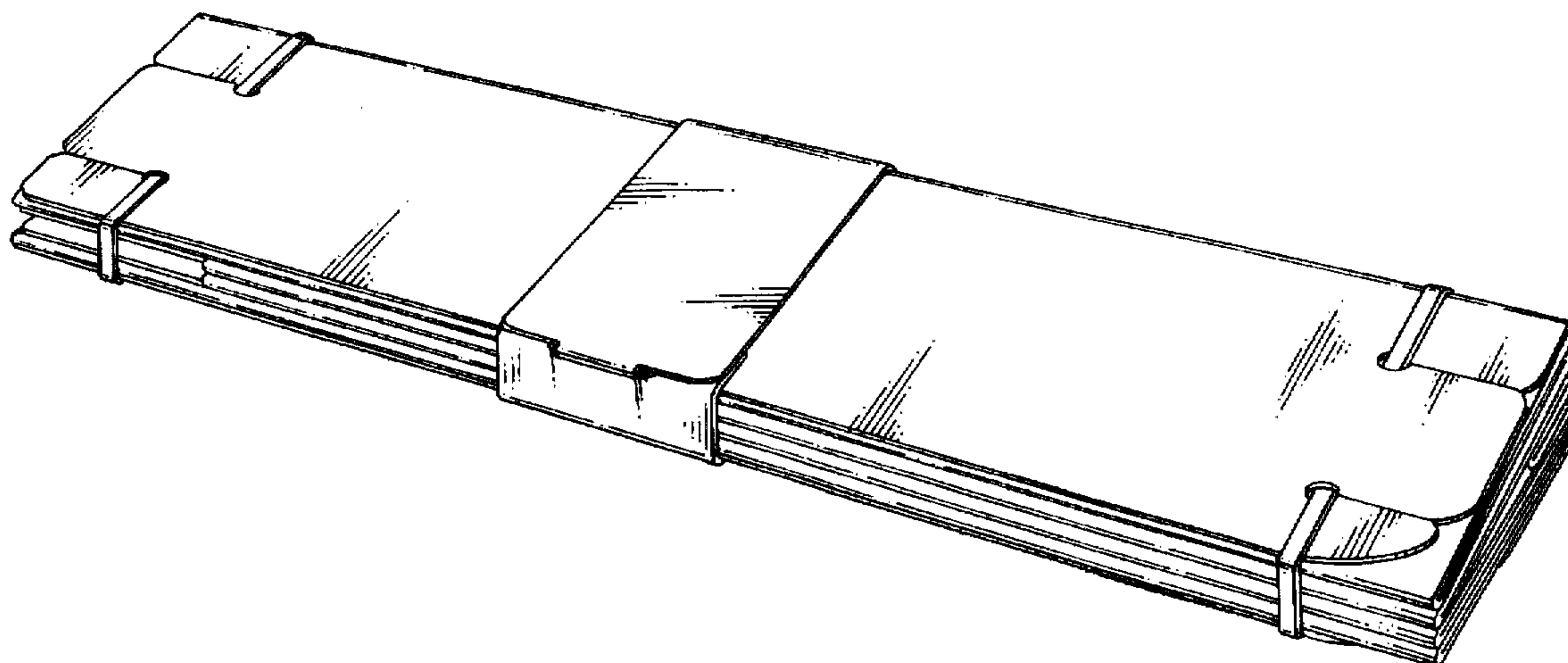
[57] CLAIM

The ornamental design for a folded shade with wrapper, as shown and described.

DESCRIPTION

FIG. 1 is a perspective view of a folded shade with wrapper showing my new design;
FIG. 2 is a left side elevation view thereof;
FIG. 3 is a right side elevation view thereof;
FIG. 4 is a top plan view thereof;
FIG. 5 is a bottom plan view thereof;
FIG. 6 is a first end view thereof; and,
FIG. 7 is an opposite end view thereof.

1 Claim, 3 Drawing Sheets



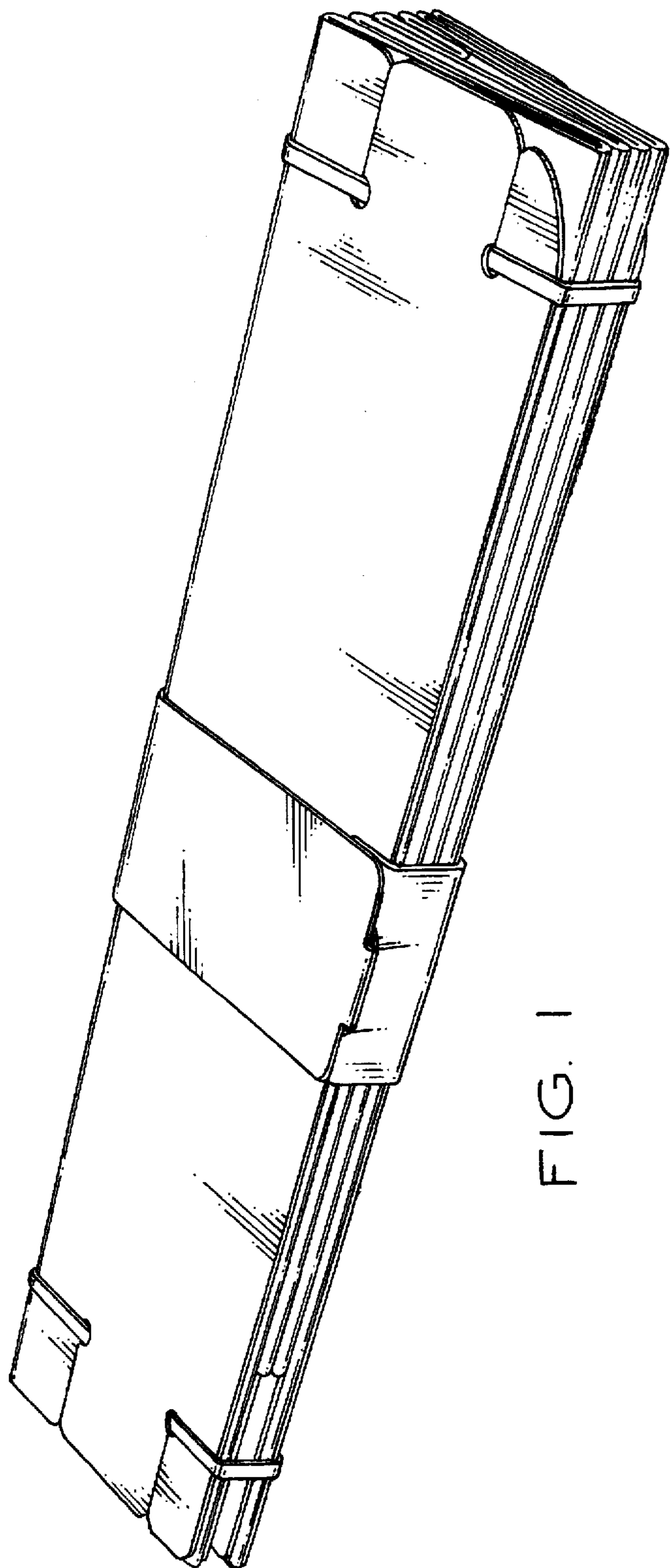


FIG. 1

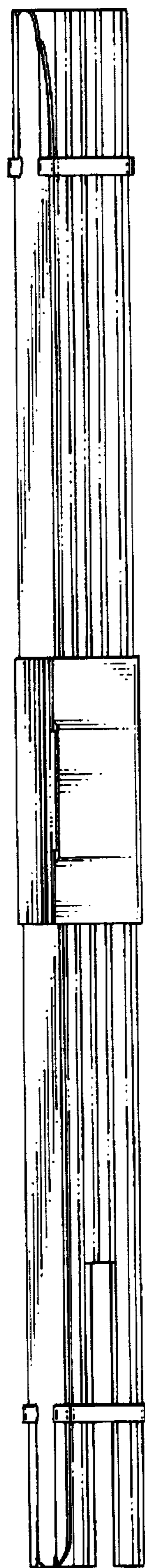


FIG. 2

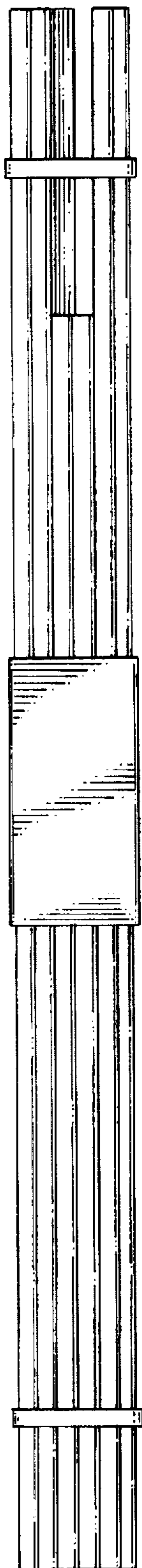


FIG. 3

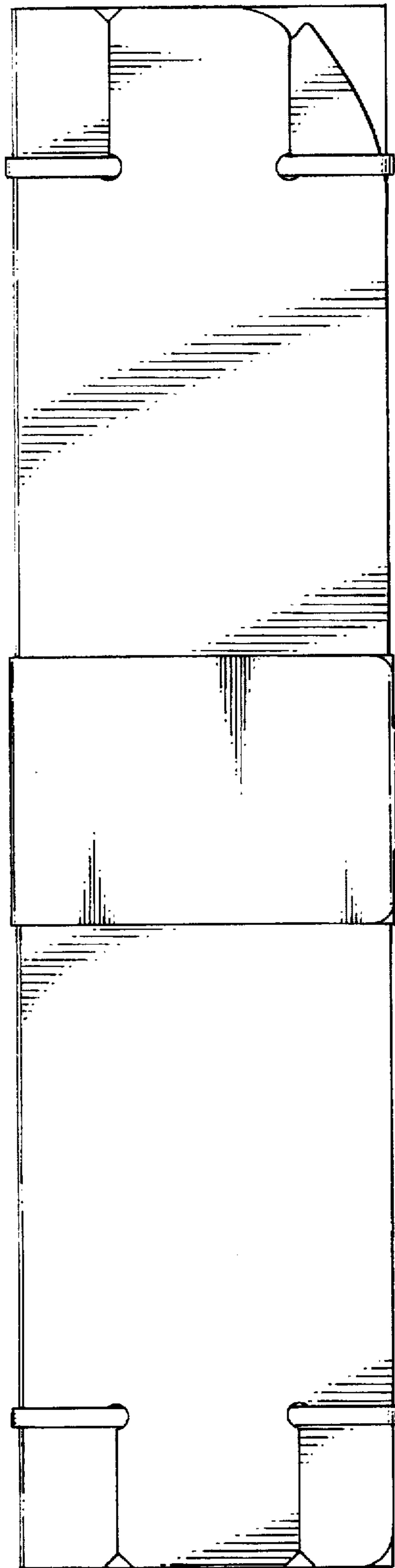


FIG. 4

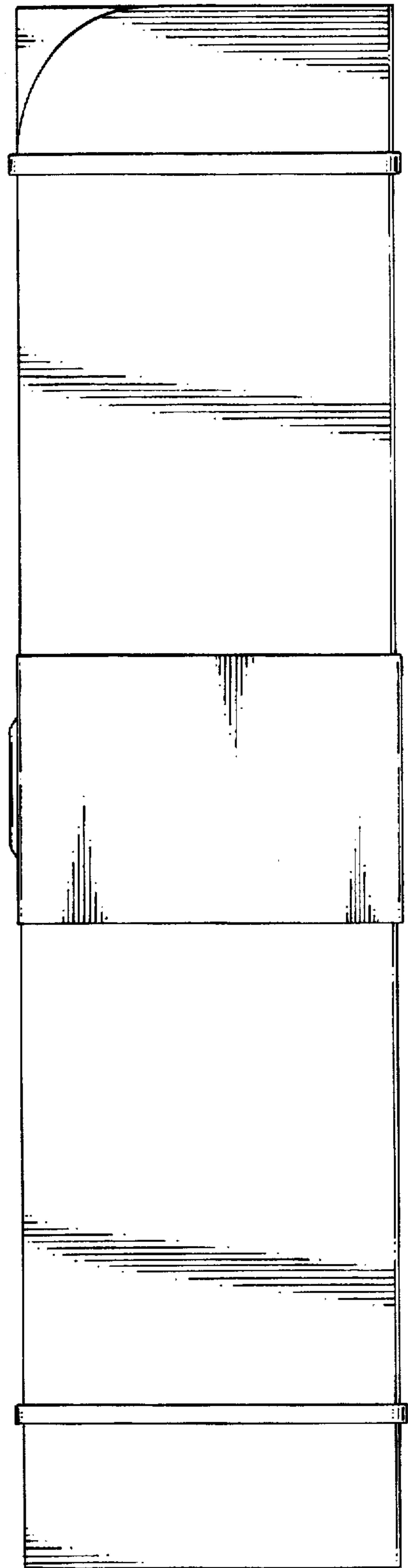


FIG. 5

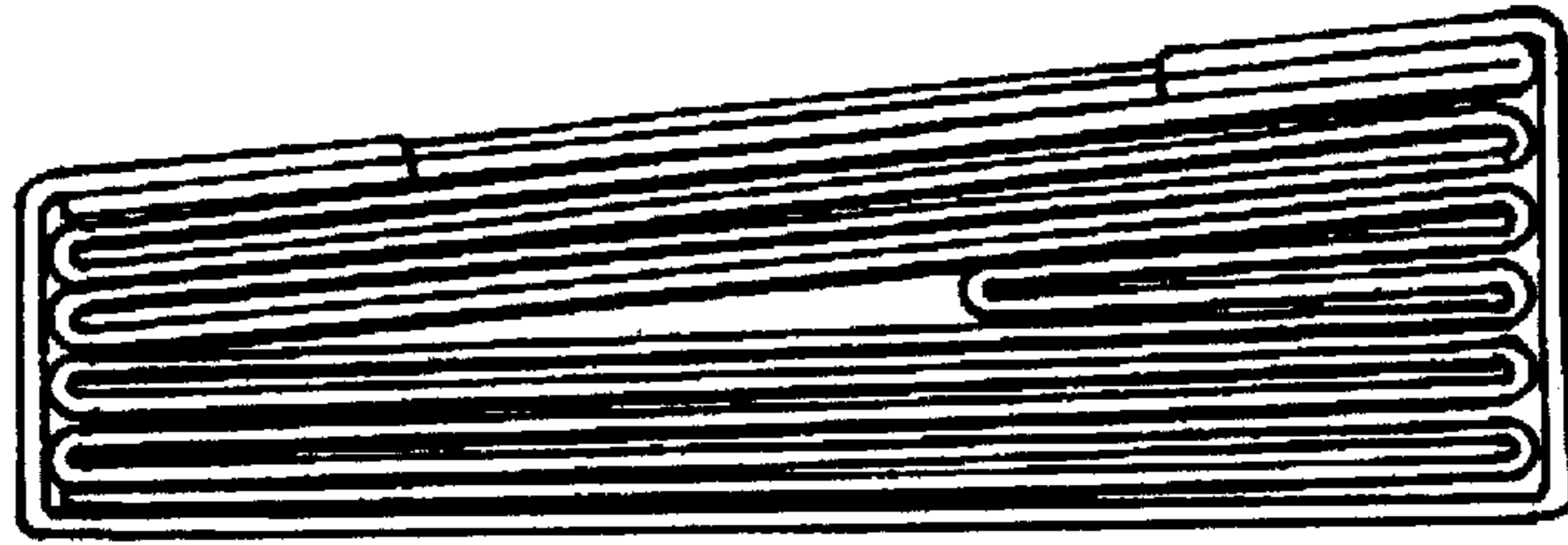


FIG. 6



FIG. 7